



US00D953498S

(12) **United States Design Patent** (10) **Patent No.:** **US D953,498 S**
Cook (45) **Date of Patent:** **** May 31, 2022**

(54) **SHOWER PAN**

(71) Applicant: **Tile Redi, LLC**, Coral Springs, FL (US)
(72) Inventor: **Joseph R. Cook**, Parkland, FL (US)
(**) Term: **15 Years**
(21) Appl. No.: **29/695,776**

(22) Filed: **Jun. 21, 2019**
(51) **LOC (13) Cl.** **23-02**
(52) **U.S. Cl.**
USPC **D23/304**
(58) **Field of Classification Search**
USPC D23/283, 303-304, 261
See application file for complete search history.

(56) **References Cited**

U.S. PATENT DOCUMENTS

| | | | | | |
|-----------|------|---------|--------------------|-------|-------------|
| 5,004,534 | A * | 4/1991 | Buzzelli | | B01D 21/003 |
| | | | | | 210/164 |
| D544,585 | S * | 6/2007 | Lebrun | | D23/283 |
| D596,722 | S * | 7/2009 | Hisey | | D23/304 |
| D609,316 | S * | 2/2010 | Hisey | | D23/304 |
| D613,839 | S * | 4/2010 | Hisey | | D23/304 |
| D667,938 | S * | 9/2012 | Cunningham | | D23/283 |
| 8,474,069 | B1 * | 7/2013 | Whitinger | | E03F 5/0408 |
| | | | | | 4/613 |
| D687,524 | S * | 8/2013 | Heiser | | D23/261 |
| 8,857,109 | B1 * | 10/2014 | Kirby | | A47K 3/40 |
| | | | | | 52/34 |
| D721,795 | S * | 1/2015 | Bernoti | | D23/260 |
| 9,127,446 | B2 * | 9/2015 | Schlueter | | E03F 5/0408 |
| 9,334,638 | B1 * | 5/2016 | Kirby | | E03F 3/046 |
| D792,954 | S * | 7/2017 | Sander | | D23/304 |
| D843,550 | S * | 3/2019 | Oatey | | D23/261 |
| D846,091 | S * | 4/2019 | Keizers | | D23/261 |
| D849,210 | S * | 5/2019 | Keizers | | D23/261 |
| D875,226 | S * | 2/2020 | Rocandio Mazagatos | .. | D23/304 |

(Continued)

OTHER PUBLICATIONS

Juno 24 Inch Rectangular Grate Linear Drain For Shower: <https://www.junoshowers.com/juno-24-inch-linear-drain-for-shower-with-shower-drain-base-grate-cover.html> (Year: 2021).*

Primary Examiner — Robert A Delehanty
(74) *Attorney, Agent, or Firm* — Moore & Van Allen PLLC

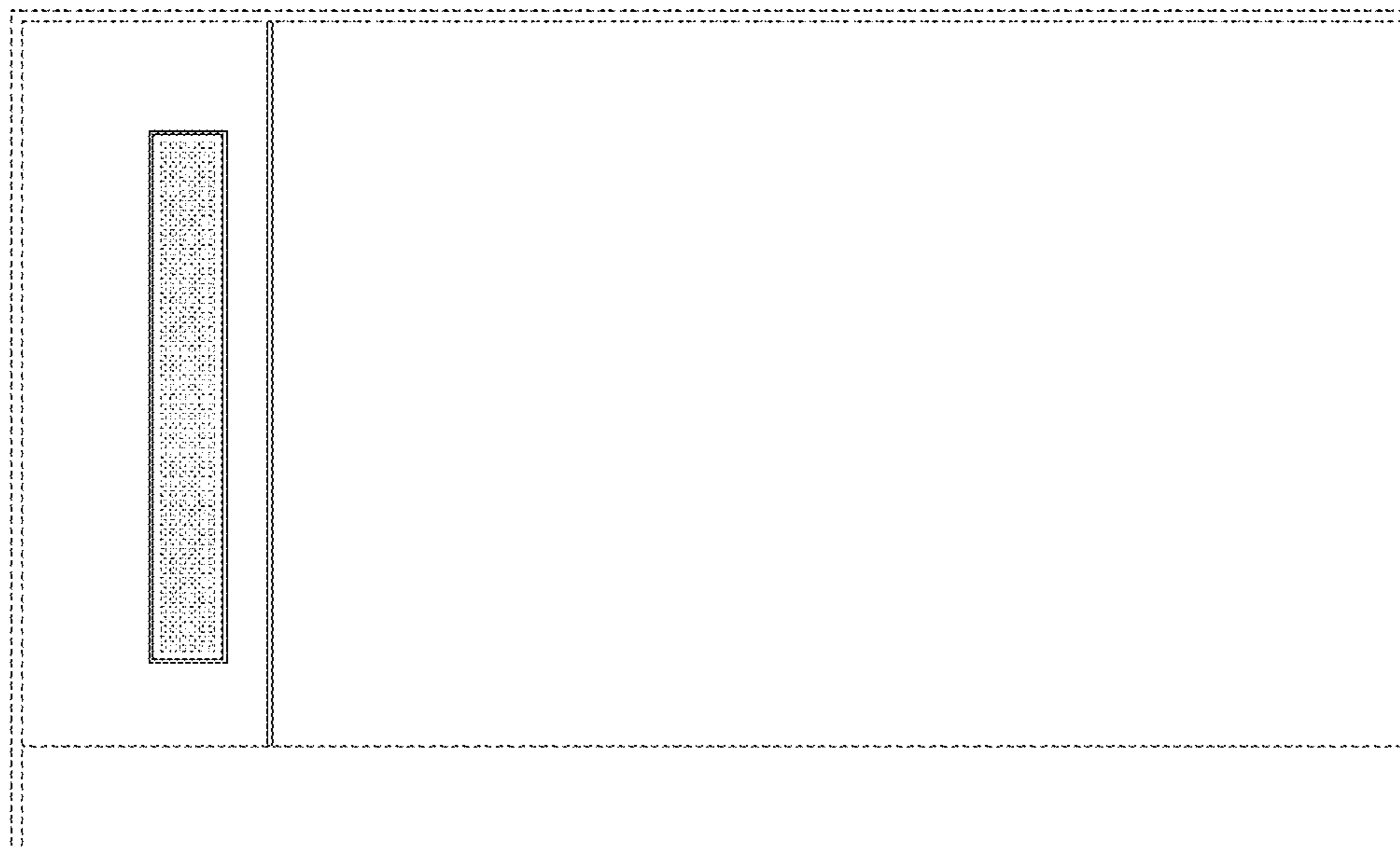
(57) **CLAIM**

The ornamental design for a shower pan, as shown and described.

DESCRIPTION

FIG. 1 is a top plan view showing a first embodiment of the new design. The bottom of the article is flat and devoid of surface ornamentation, and is therefore not shown. FIG. 2 is a top left perspective view thereof. FIG. 3 is an enlarged fragmentary view of a portion of the design. The front, back, left and right side elevational views of the article are flat and devoid of surface ornamentation, and are therefore not shown. FIG. 4 is a top plan view showing a second embodiment of the new design. The bottom of the article is flat and devoid of surface ornamentation, and is therefore not shown. FIG. 5 is a top left perspective view thereof; and, FIG. 6 is an enlarged fragmentary view of a portion of the design. The front, back, left and right side elevational views of the article are flat and devoid of surface ornamentation, and are therefore not shown. The broken lines shown in the drawings represent unclaimed portions of the shower pan and forms no part of the claimed design.

1 Claim, 4 Drawing Sheets



(56)

References Cited

U.S. PATENT DOCUMENTS

D909,544 S * 2/2021 Pohl D23/261
D915,565 S * 4/2021 Meyers D23/261
D922,551 S * 6/2021 Bucher D23/304
2006/0239773 A1* 10/2006 Meyers E03F 3/046
404/2
2011/0162137 A1* 7/2011 Kik, Sr. E03F 3/046
4/613
2011/0197355 A1* 8/2011 Lemire E03F 5/0408
4/613
2018/0038091 A1* 2/2018 Ismert E03F 5/0401
2020/0352397 A1* 11/2020 Sandell A47K 3/40
2021/0040721 A1* 2/2021 Larson E03F 5/0408

* cited by examiner



FIG. 1

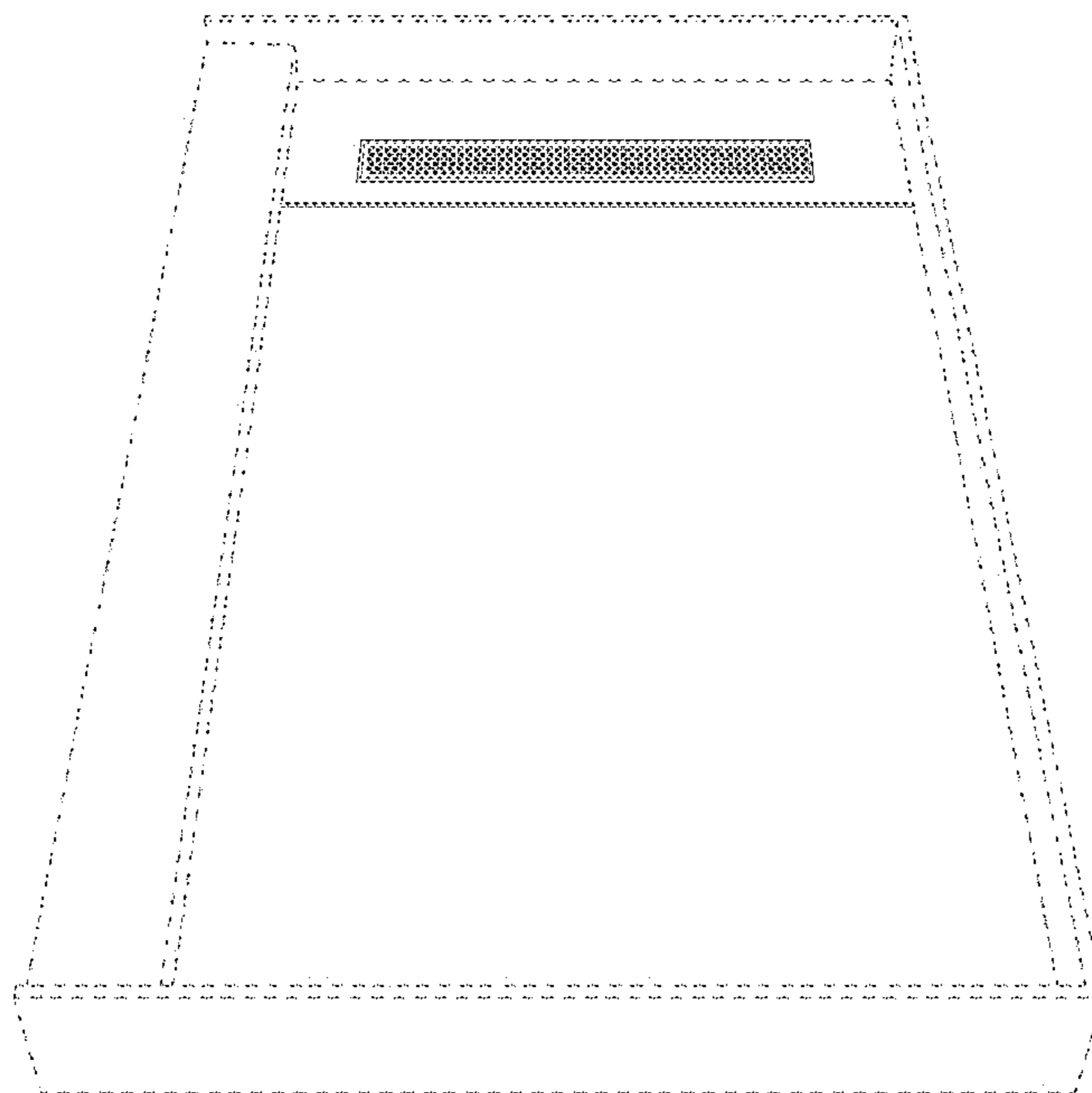


FIG. 2

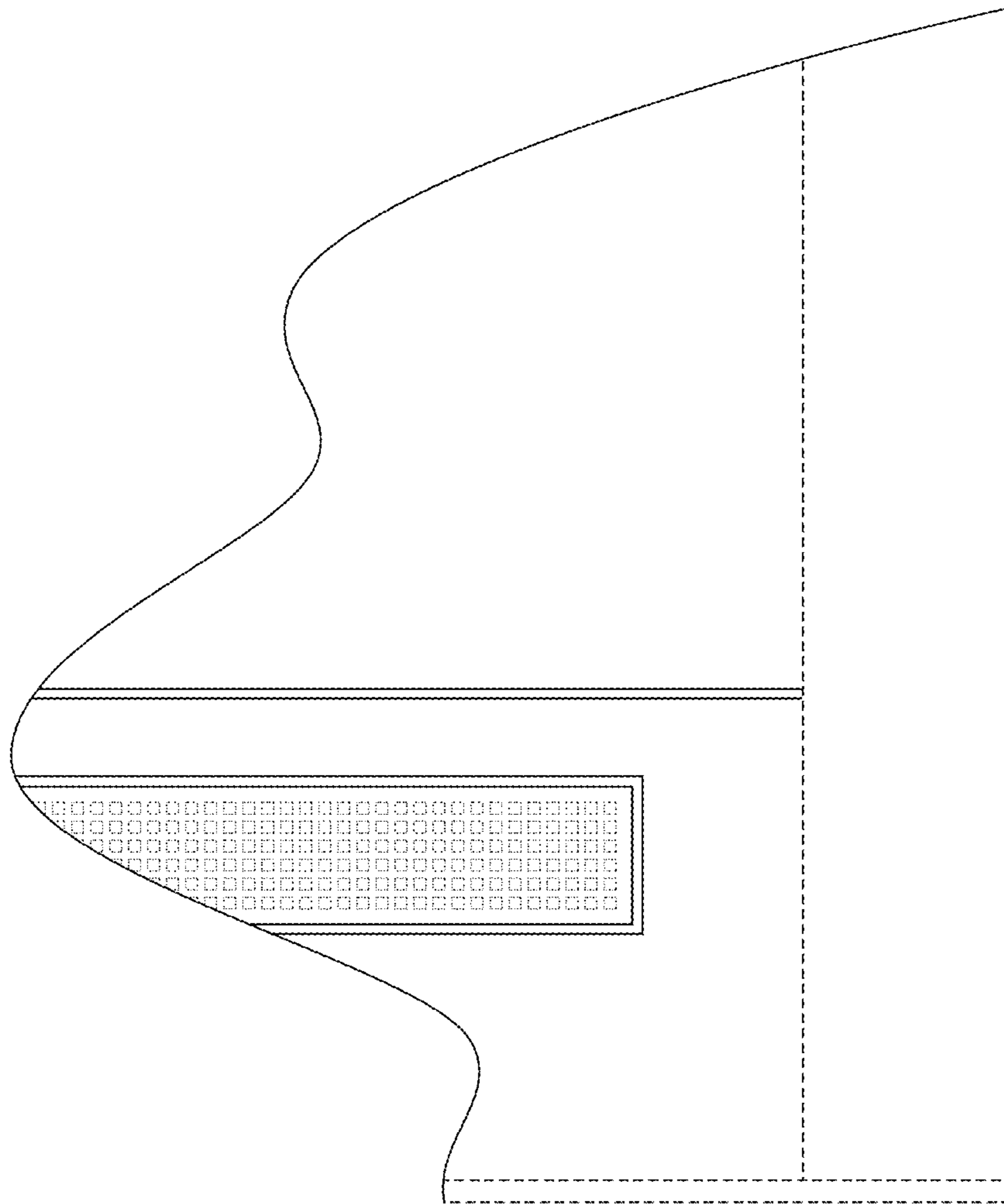


Fig. 3



FIG. 4

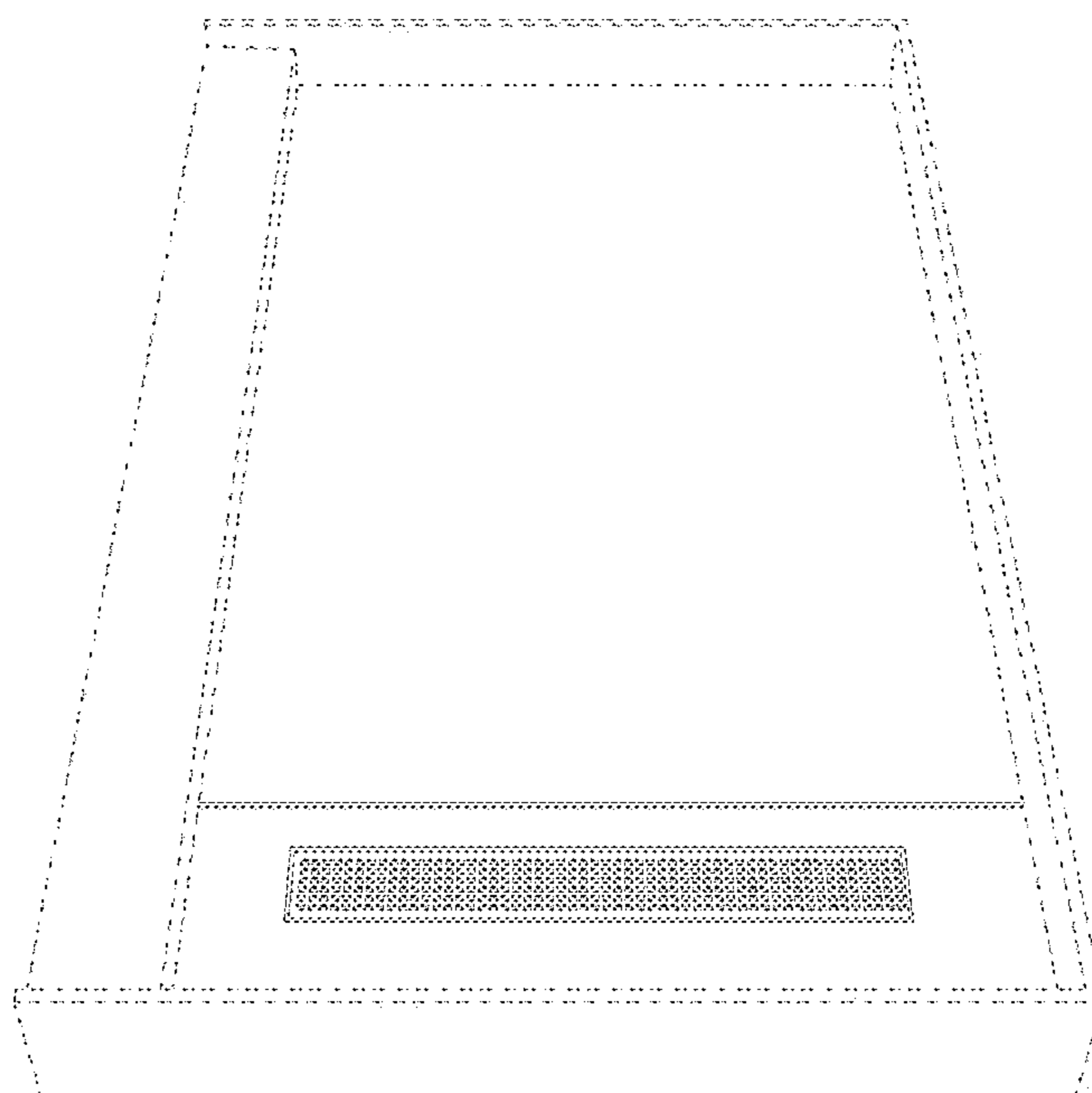


FIG. 5

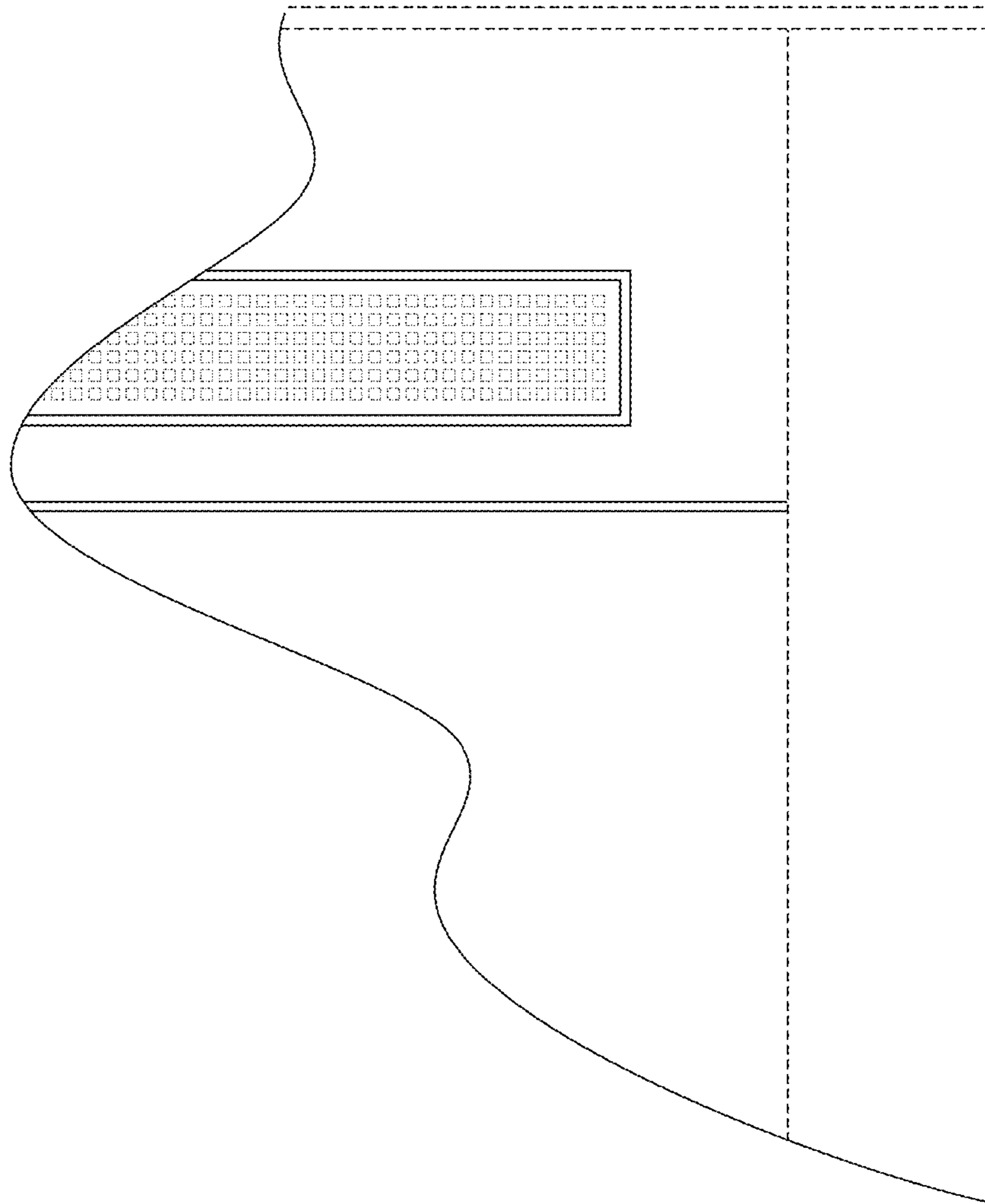


Fig. 6