



US00D953497S

(12) **United States Design Patent** (10) **Patent No.:** **US D953,497 S**  
**Cook** (45) **Date of Patent:** **\*\* May 31, 2022**

(54) **SHOWER PAN**

(71) Applicant: **Tile Redi, LLC**, Coral Springs, FL (US)

(72) Inventor: **Joseph R. Cook**, Parkland, FL (US)

(\*\*) Term: **15 Years**

(21) Appl. No.: **29/695,627**

(22) Filed: **Jun. 20, 2019**

(51) **LOC (13) Cl.** ..... **23-02**

(52) **U.S. Cl.**  
USPC ..... **D23/304**

(58) **Field of Classification Search**  
USPC ..... D23/283, 303-304, 261  
See application file for complete search history.

(56) **References Cited**

U.S. PATENT DOCUMENTS

5,004,534 A \* 4/1991 Buzzelli ..... E03F 5/14  
210/164  
D544,585 S \* 6/2007 Lebrun ..... D23/283  
(Continued)

OTHER PUBLICATIONS

Jun 24 Inch Rectangular Grate Linear Drain For Shower: <https://www.junoshowers.com/juno-24-inch-linear-drain-for-shower-with-shower-drain-base-grate-cover.html> (Year: 2021).\*

*Primary Examiner* — Robert A Delehanty  
(74) *Attorney, Agent, or Firm* — Moore & Van Allen PLLC

(57) **CLAIM**

The ornamental design for a shower pan, as shown and described.

**DESCRIPTION**

FIG. 1 is a top plan view showing a first embodiment of the new design. The bottom of the article is flat and devoid of surface ornamentation, and is therefore not shown.

FIG. 2 is a top left perspective view thereof.

FIG. 3 is an enlarged fragmentary view of a portion of the design.

The front, back, left and right side elevational views of the article are flat and devoid of surface ornamentation, and are therefore not shown.

FIG. 4 is a top plan view showing a second embodiment of the new design. The bottom of the article is flat and devoid of surface ornamentation, and is therefore not shown.

FIG. 5 is a top left perspective view thereof.

FIG. 6 is an enlarged fragmentary view of a portion of the design.

The front, back, left and right side elevational views of the article are flat and devoid of surface ornamentation, and are therefore not shown.

FIG. 7 is a top plan view showing a ninth embodiment of the new design. The bottom of the article is flat and devoid of surface ornamentation, and is therefore not shown.

FIG. 8 is a top left perspective view thereof.

FIG. 9 is an enlarged fragmentary view of a portion of the design.

The front, back, left and right side elevational views of the article are flat and devoid of surface ornamentation, and are therefore not shown.

FIG. 10 is a top plan view showing a tenth embodiment of the new design. The bottom of the article is flat and devoid of surface ornamentation, and is therefore not shown.

FIG. 11 is a top left perspective view thereof.

FIG. 12 is an enlarged fragmentary view of a portion of the design.

The front, back, left and right side elevational views of the article are flat and devoid of surface ornamentation, and are therefore not shown.

FIG. 13 is a top plan view showing a eleventh embodiment of the new design. The bottom of the article is flat and devoid of surface ornamentation, and is therefore not shown.

FIG. 14 is a top left perspective view thereof.

FIG. 15 is an enlarged fragmentary view of a portion of the design.

The front, back, left and right side elevational views of the article are flat and devoid of surface ornamentation, and are therefore not shown.

(Continued)

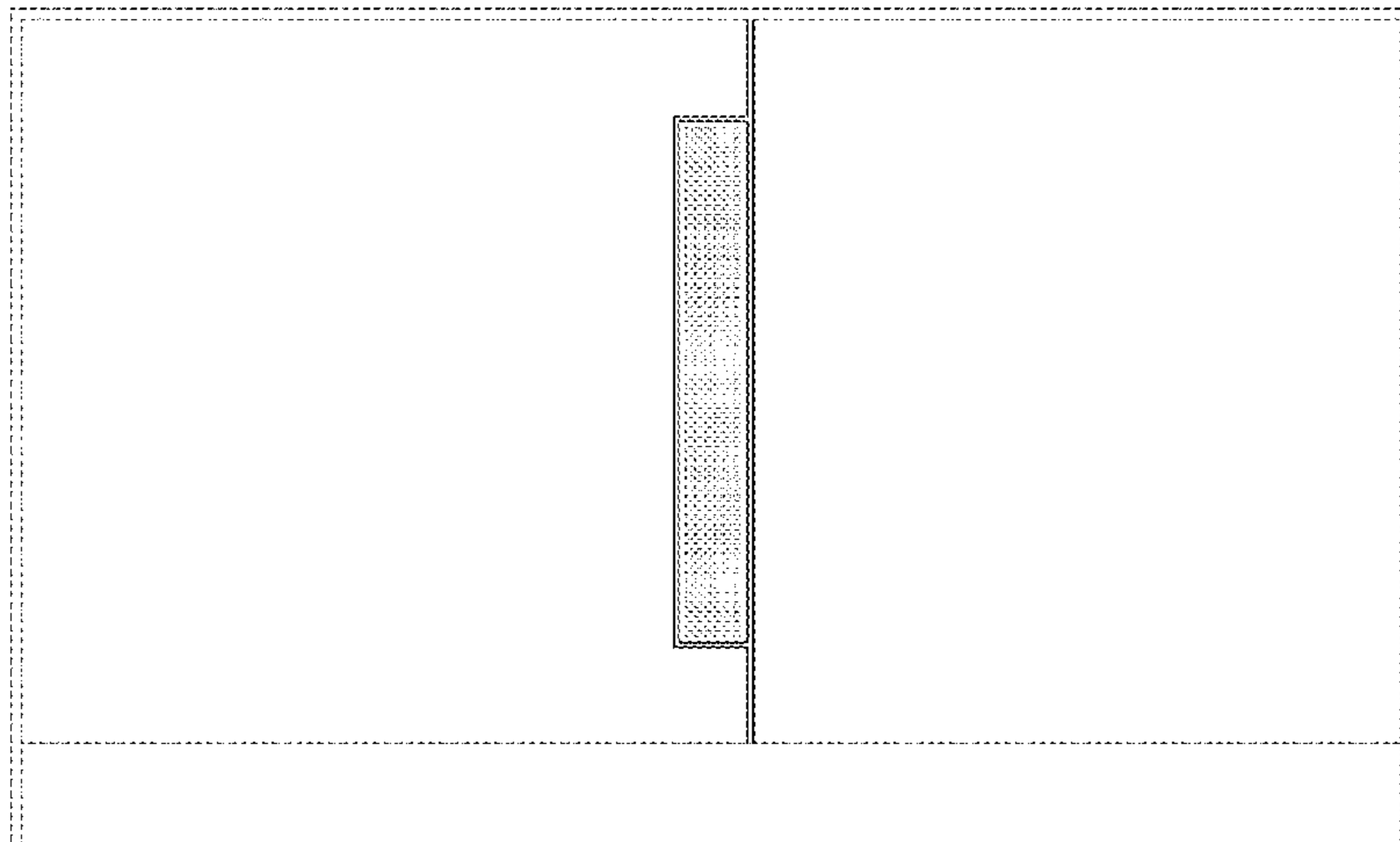


FIG. 16 is a top plan view showing a twelfth embodiment of the new design. The bottom of the article is flat and devoid of surface ornamentation, and is therefore not shown.

FIG. 17 is a top left perspective view thereof.

FIG. 18 is an enlarged fragmentary view of a portion of the design.

The front, back, left and right side elevational views of the article are flat and devoid of surface ornamentation, and are therefore not shown.

FIG. 19 is a top plan view showing a fifth embodiment of the new design. The bottom of the article is flat and devoid of surface ornamentation, and is therefore not shown.

FIG. 20 is a top left perspective view thereof.

FIG. 21 is an enlarged fragmentary view of a portion of the design.

The front, back, left and right side elevational views of the article are flat and devoid of surface ornamentation, and are therefore not shown.

FIG. 22 is a top plan view showing a sixth embodiment of the new design. The bottom of the article is flat and devoid of surface ornamentation, and is therefore not shown.

FIG. 23 is a top left perspective view thereof.

FIG. 24 is an enlarged fragmentary view of a portion of the design.

The front, back, left and right side elevational views of the article are flat and devoid of surface ornamentation, and are therefore not shown.

FIG. 25 is a top plan view showing a seventh embodiment of the new design. The bottom of the article is flat and devoid of surface ornamentation, and is therefore not shown.

FIG. 26 is a top left perspective view thereof.

FIG. 27 is an enlarged fragmentary view of a portion of the design.

The front, back, left and right side elevational views of the article are flat and devoid of surface ornamentation, and are therefore not shown.

FIG. 28 is a top plan view showing an eighth embodiment of the new design. The bottom of the article is flat and devoid of surface ornamentation, and is therefore not shown.

FIG. 29 is a top left perspective view thereof; and,

FIG. 30 is an enlarged fragmentary view of a portion of the design.

The front, back, left and right side elevational views of the article are flat and devoid of surface ornamentation, and are therefore not shown.

**1 Claim, 20 Drawing Sheets**

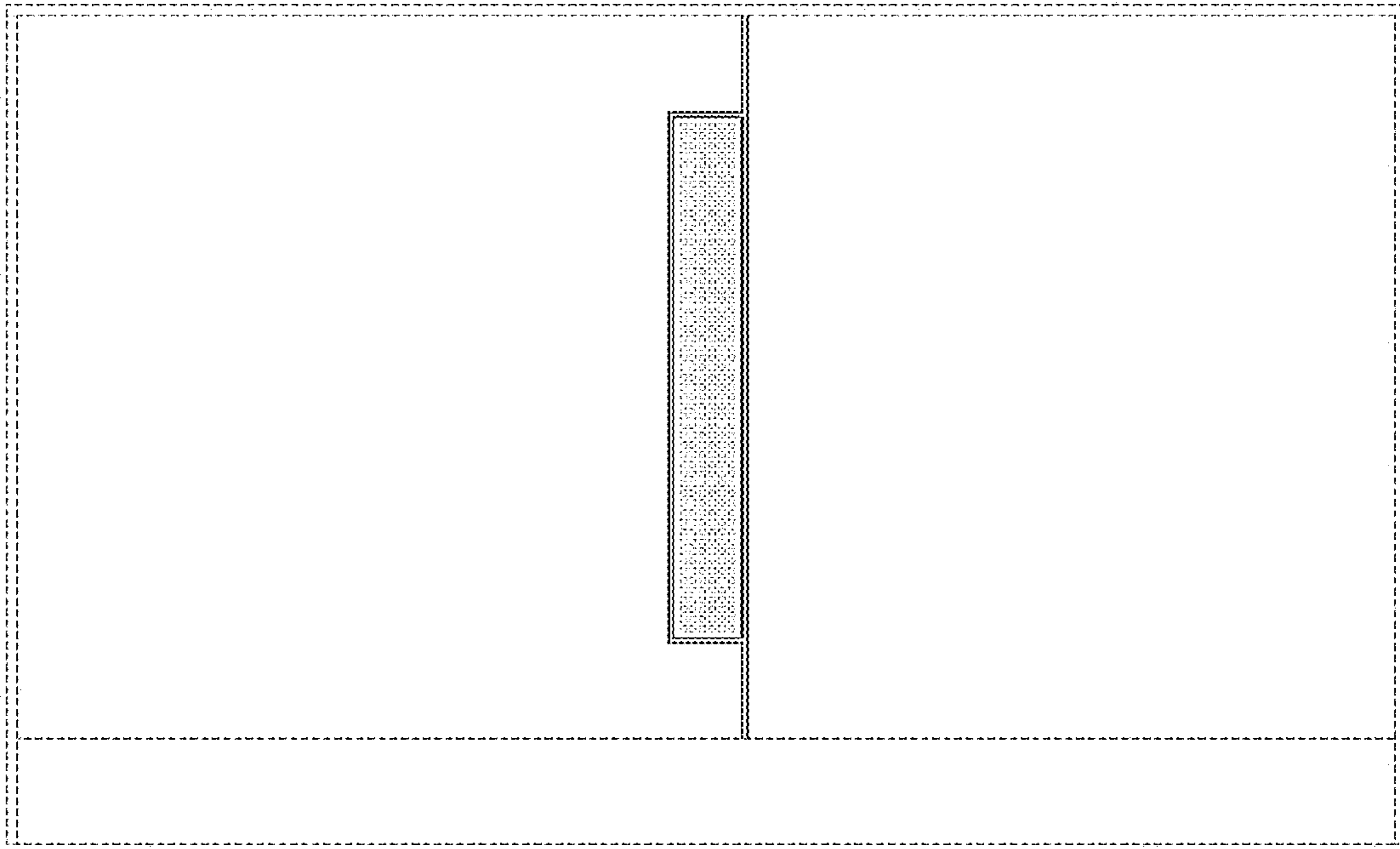
(56)

**References Cited**

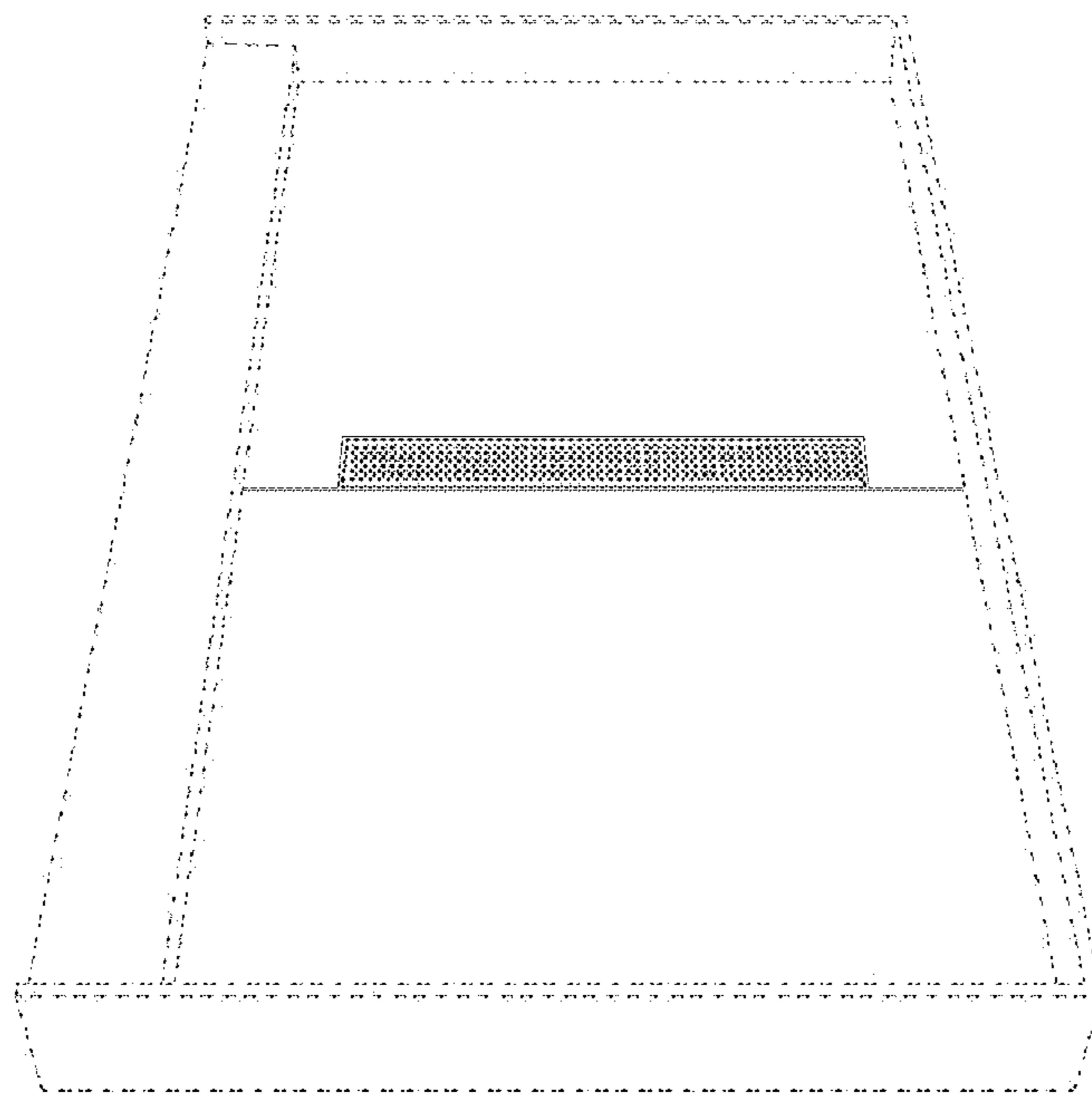
U.S. PATENT DOCUMENTS

D611,129	S *	3/2010	Hisey .....	D23/304
D612,027	S *	3/2010	Hisey .....	D23/304
D687,524	S *	8/2013	Heiser .....	D23/261
8,857,109	B1 *	10/2014	Kirby .....	A47K 3/40
				52/34
D721,795	S *	1/2015	Bernoti .....	D23/260
9,127,446	B2 *	9/2015	Schlueter .....	E03F 5/0408
9,334,638	B1 *	5/2016	Kirby .....	E03F 5/0408
D843,550	S *	3/2019	Oatey .....	D23/261
D846,091	S *	4/2019	Keizers .....	D23/261
D849,210	S *	5/2019	Keizers .....	D23/261
D859,613	S *	9/2019	Bucher .....	D23/304
D859,614	S *	9/2019	Bucher .....	D23/304
D875,904	S *	2/2020	Rocandio Mazagatos ..	D23/304
D882,052	S *	4/2020	Kaldewei .....	D23/304
D907,750	S *	1/2021	Kaldewei .....	D23/304
D909,544	S *	2/2021	Pohl .....	D23/261
D915,565	S *	4/2021	Meyers .....	D23/261
10,975,583	B2 *	4/2021	Gomo .....	E03F 5/0407
D922,551	S *	6/2021	Bucher .....	D23/304
D923,758	S *	6/2021	Dangerfield .....	D23/261
D924,374	S *	7/2021	Pohl .....	E03F 5/06
				D23/261
2006/0239773	A1 *	10/2006	Meyers .....	E03F 3/046
				404/2
2011/0088161	A1 *	4/2011	Stimpson .....	A47K 3/40
				4/613
2011/0162137	A1 *	7/2011	Kik, Sr. ....	E03F 3/046
				4/613
2014/0331403	A1 *	11/2014	Adams .....	A47K 3/40
				4/613
2020/0214510	A1 *	7/2020	Brill .....	A47K 3/40
2021/0040721	A1 *	2/2021	Larson .....	E03F 5/0408
2021/0219789	A1 *	7/2021	Cook .....	E03C 1/0408

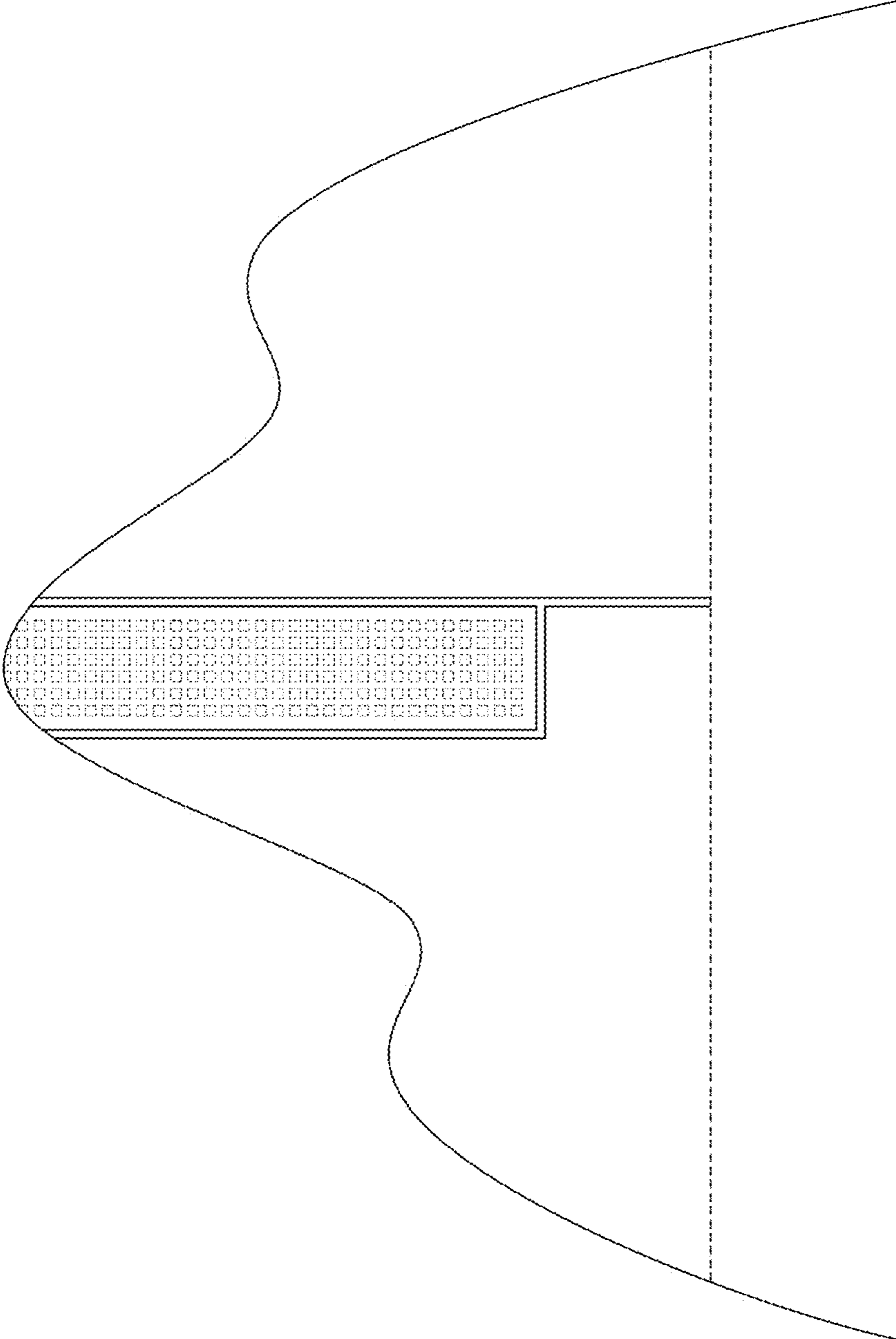
\* cited by examiner



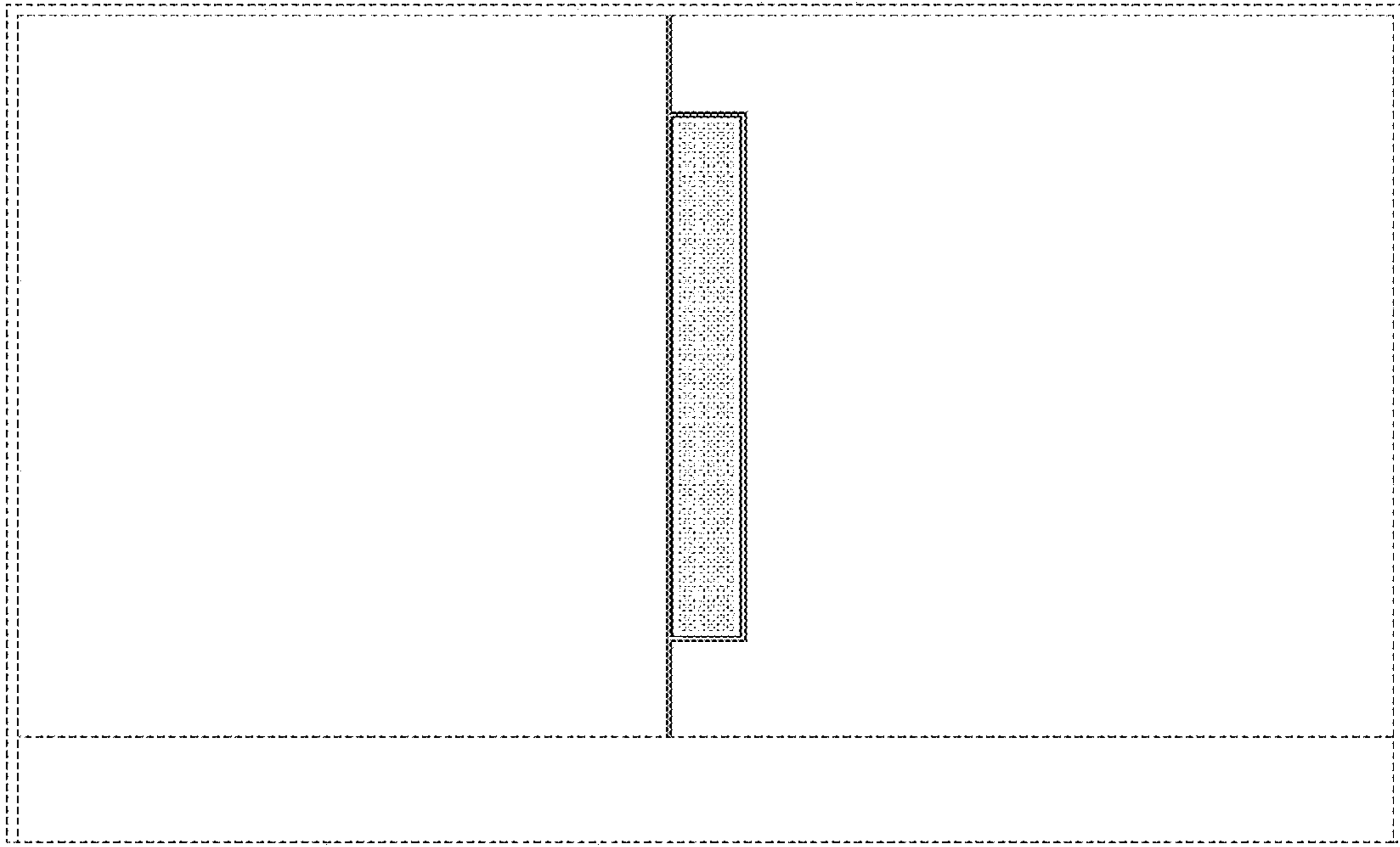
**FIG. 1**



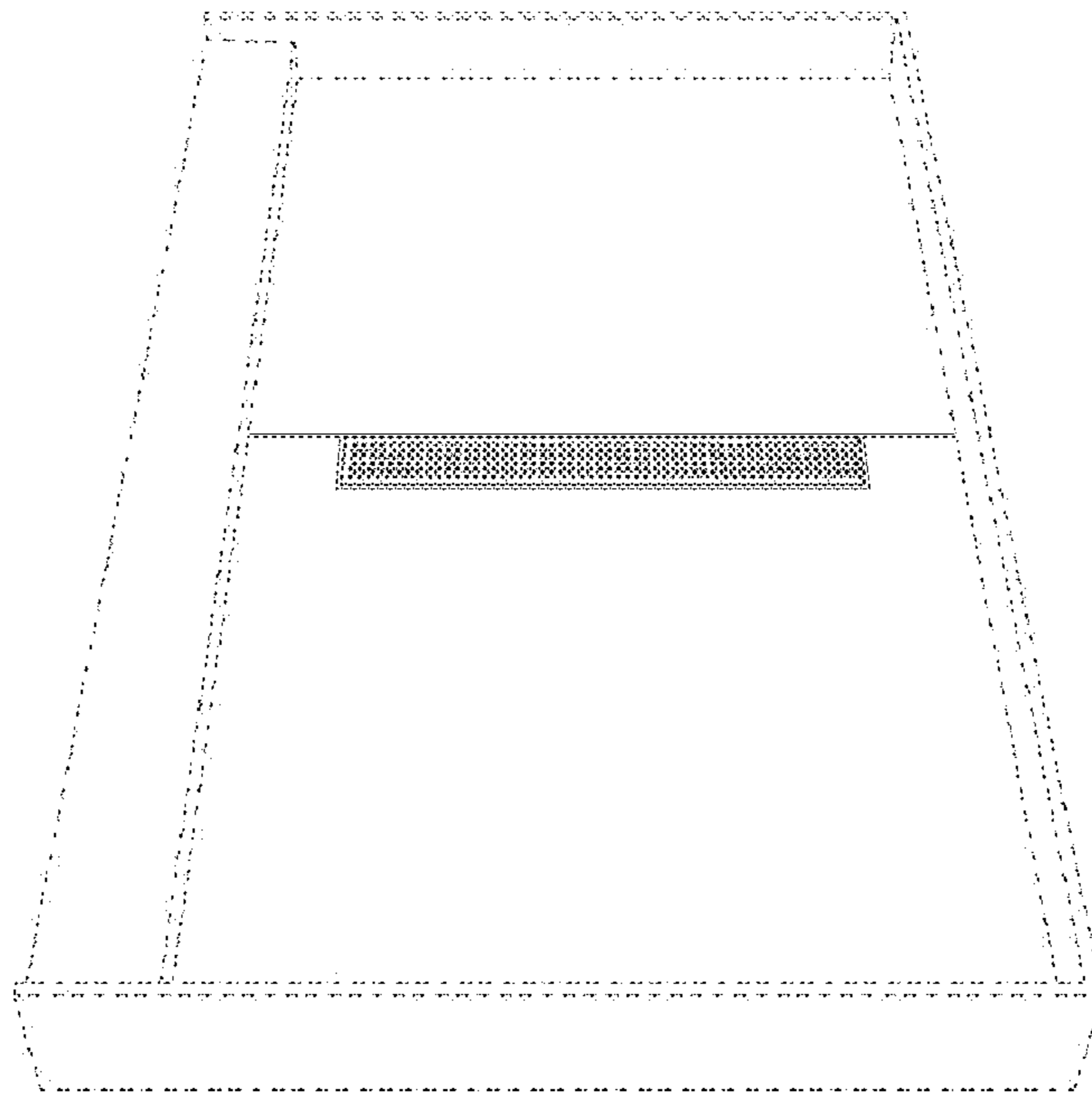
**FIG. 2**



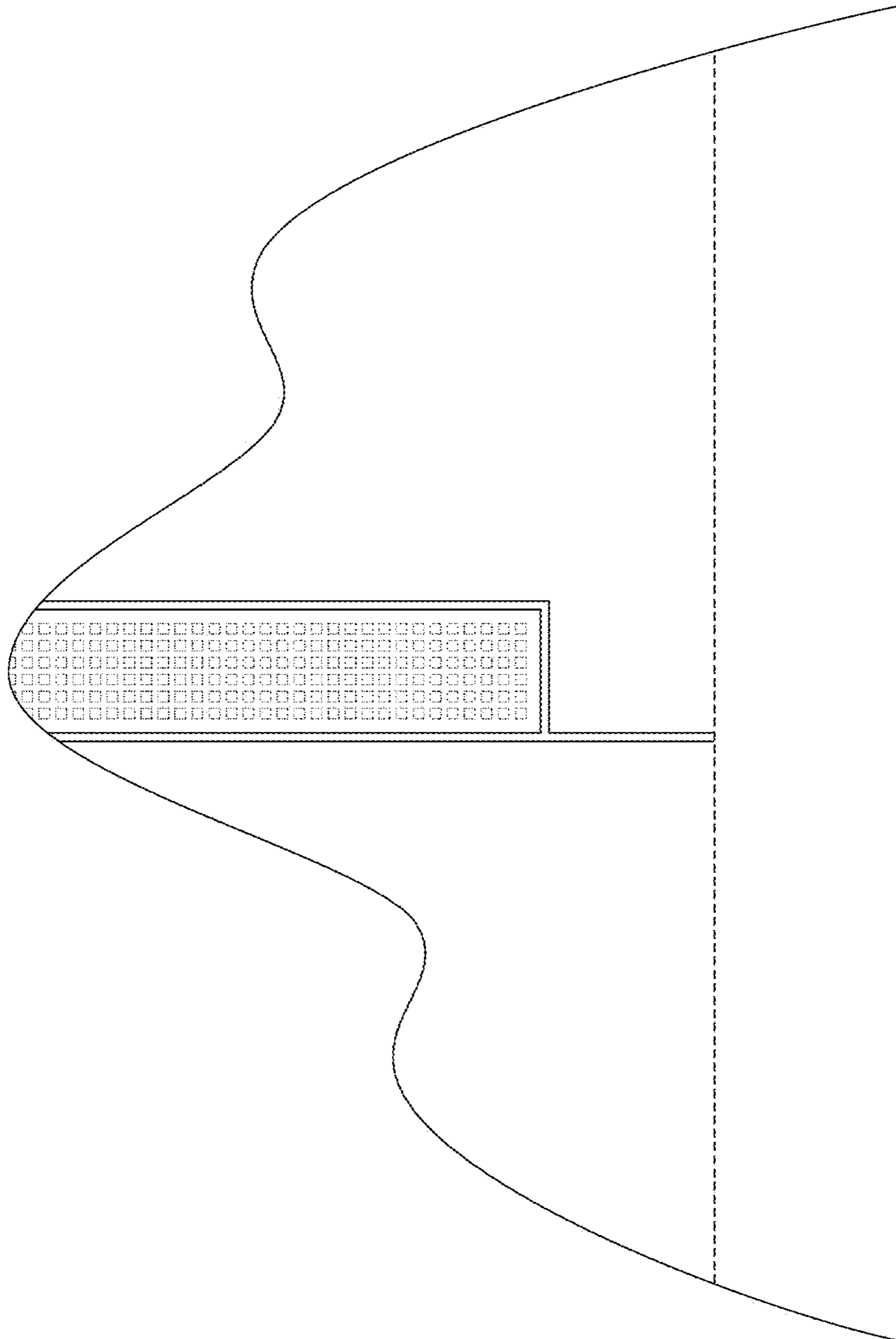
**FIG. 3**



**FIG. 4**



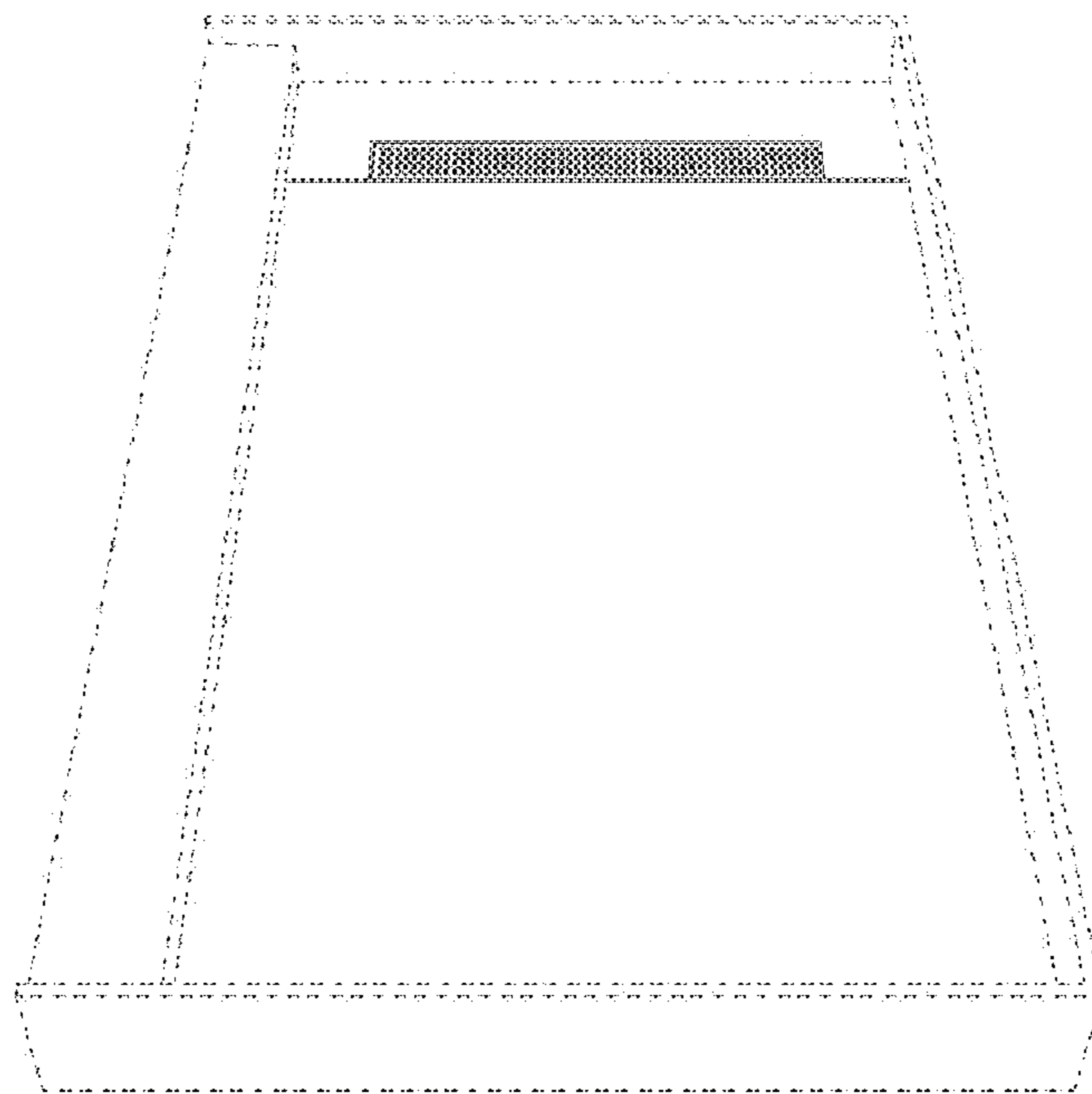
**FIG. 5**



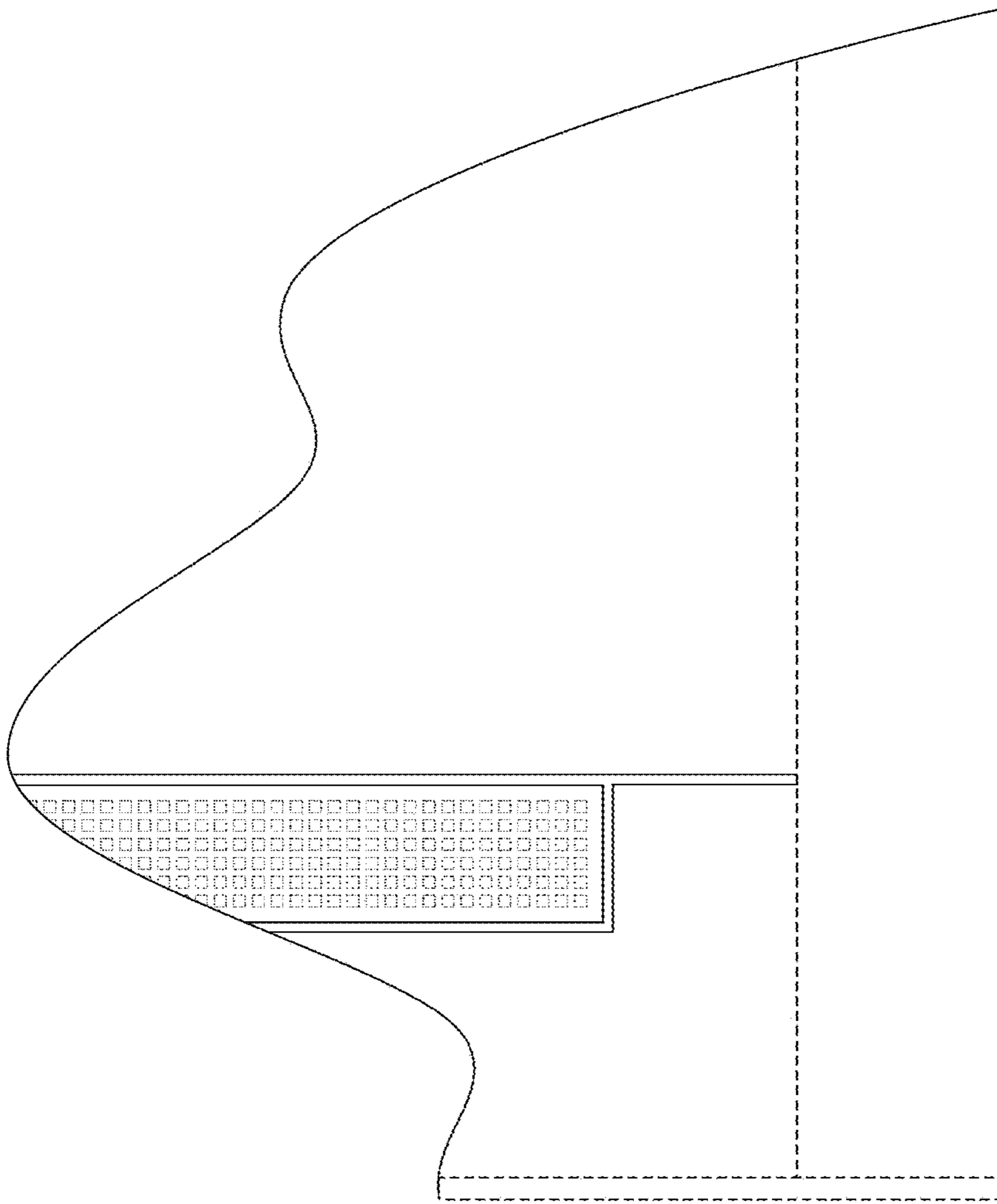
**FIG. 6**



**FIG. 7**



**FIG. 8**

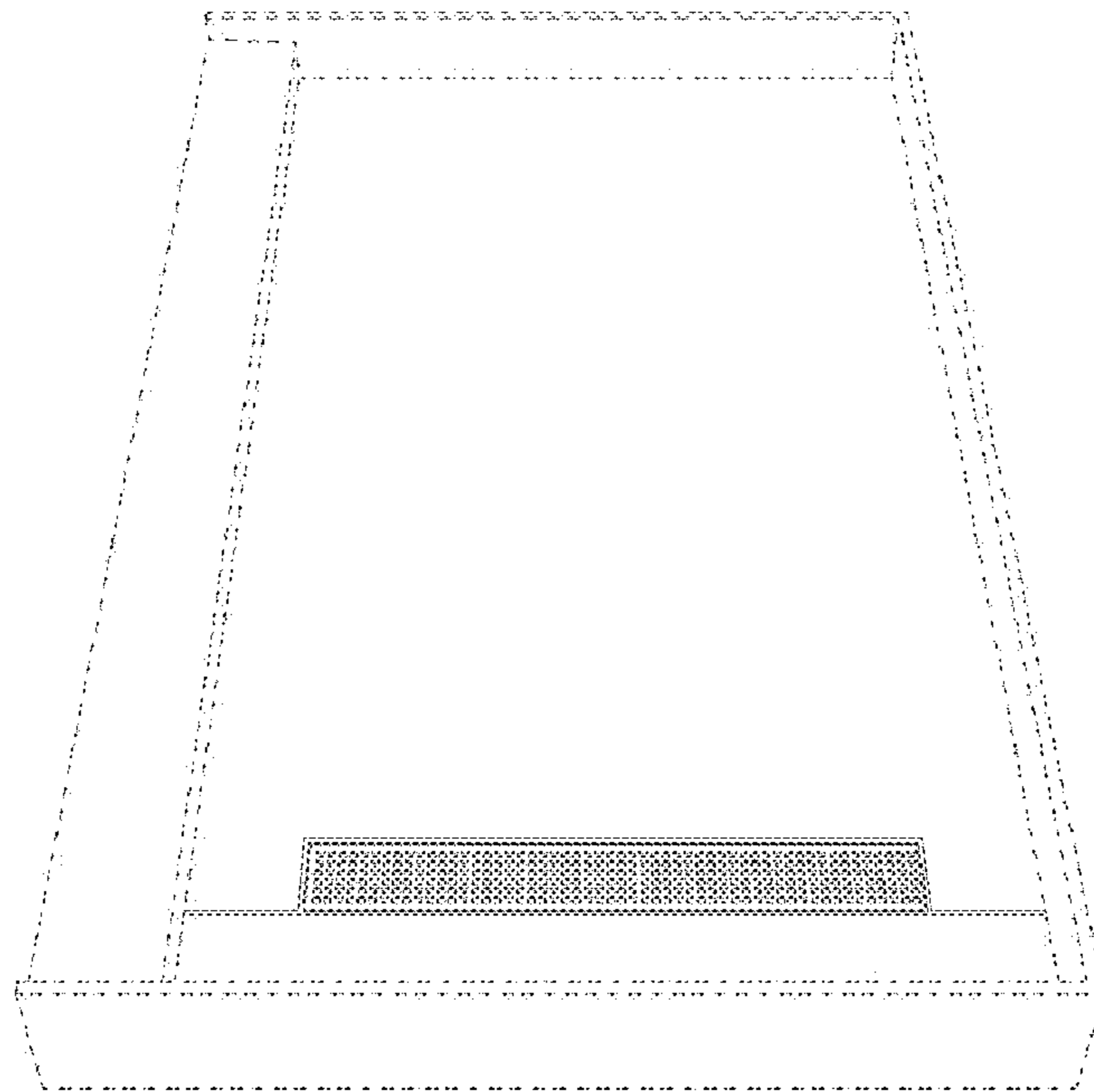


**FIG. 9**

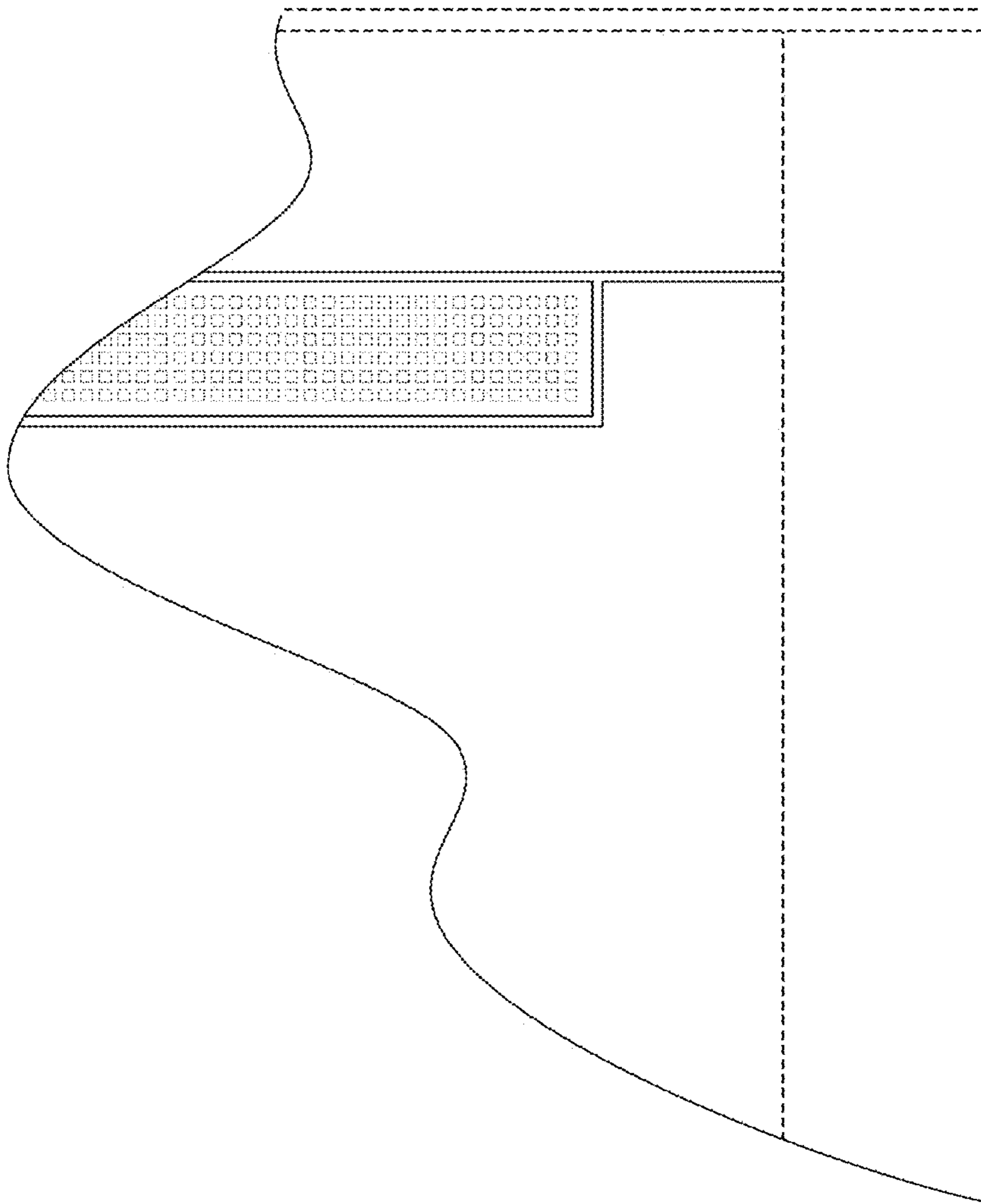




**FIG. 10**



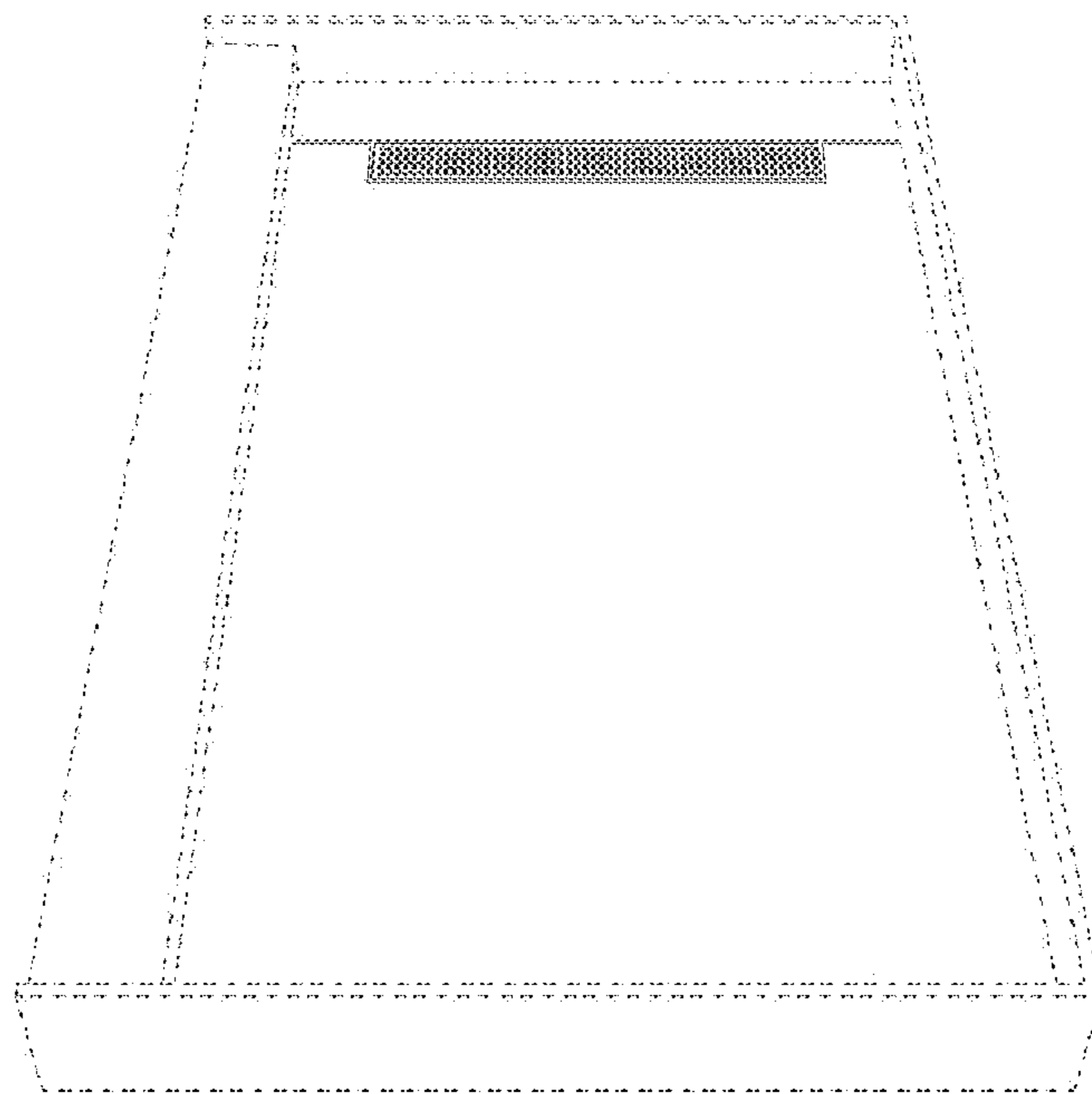
**FIG. 11**



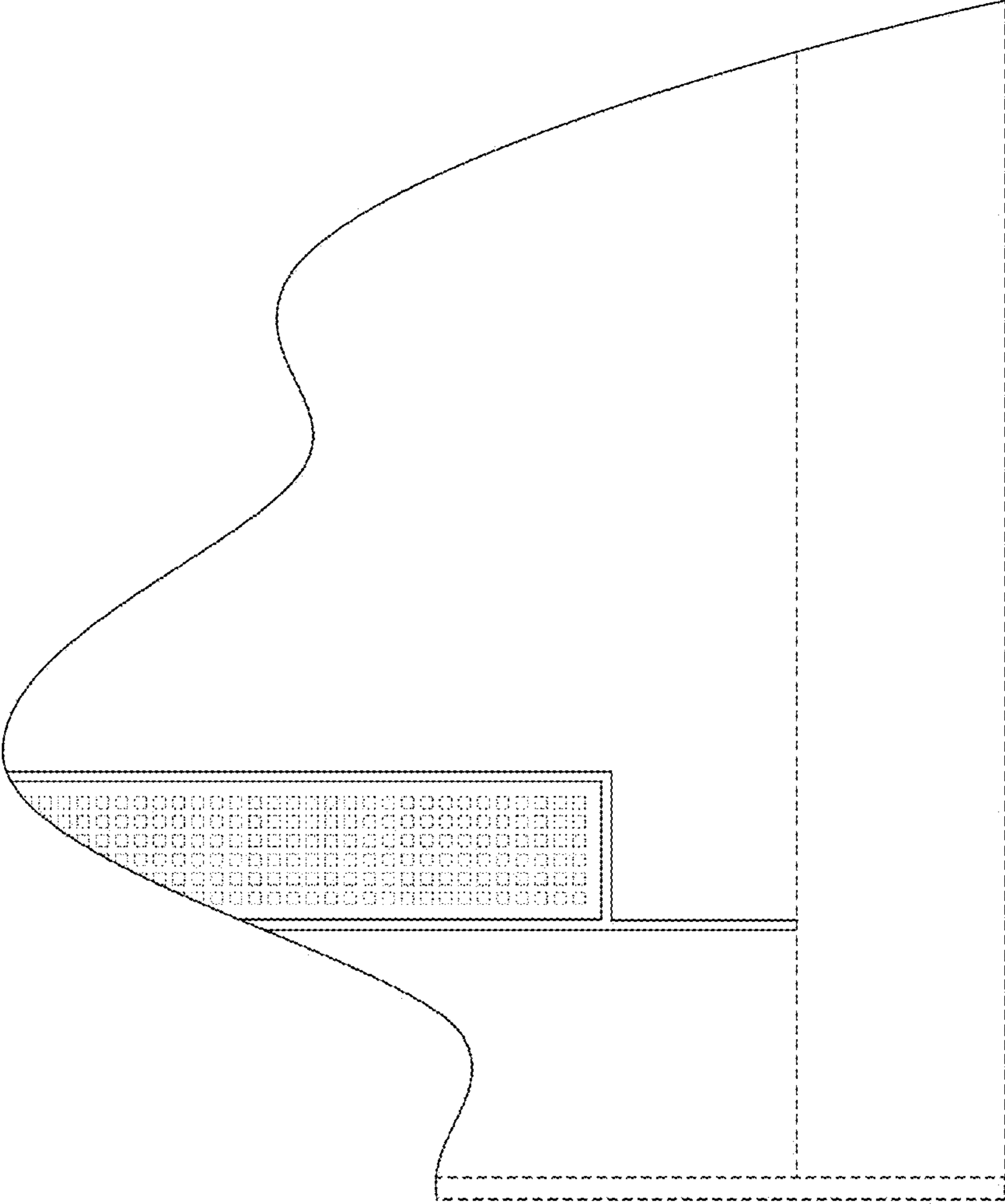
**FIG. 12**



**FIG. 13**



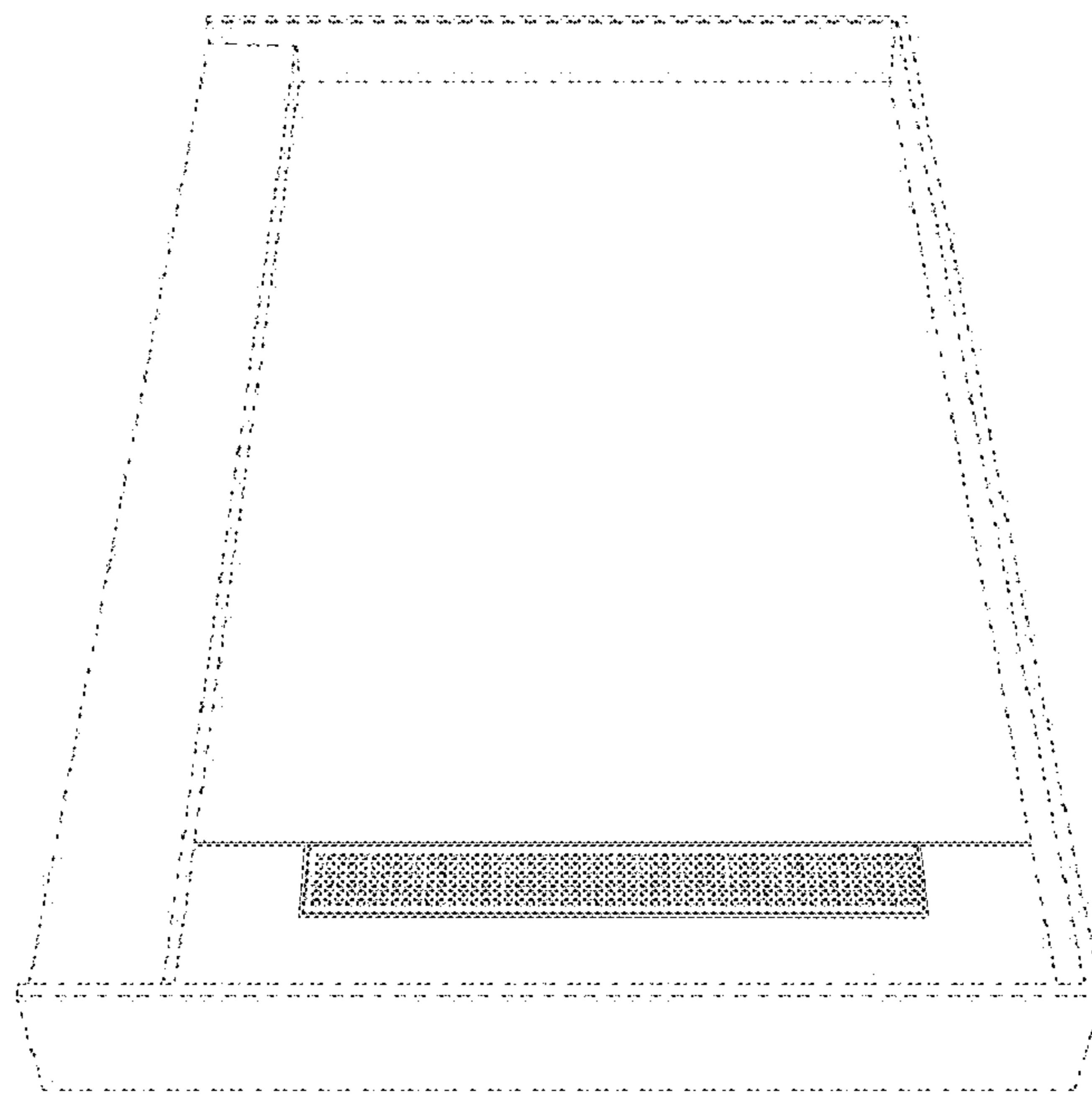
**FIG. 14**



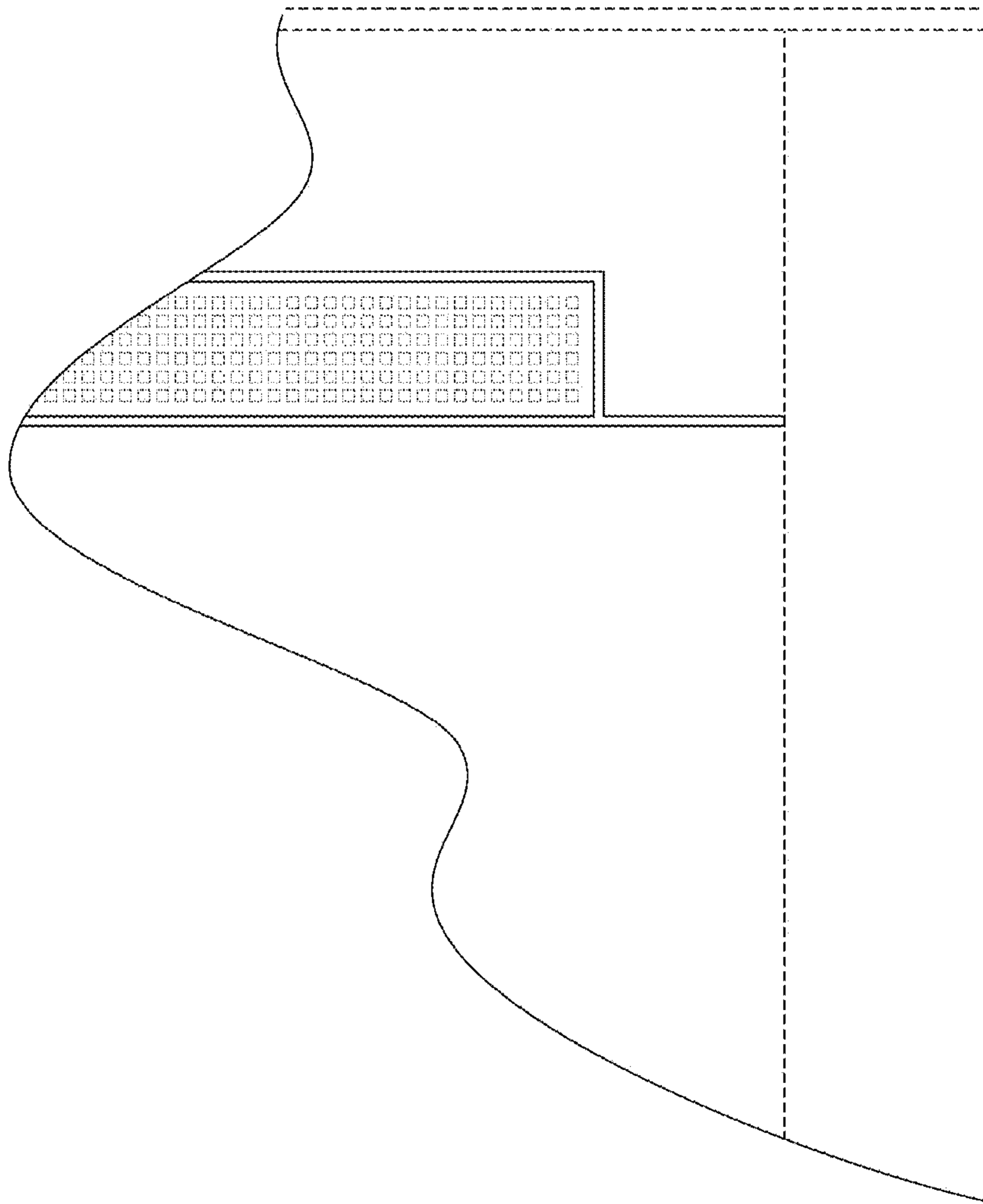
**FIG. 15**



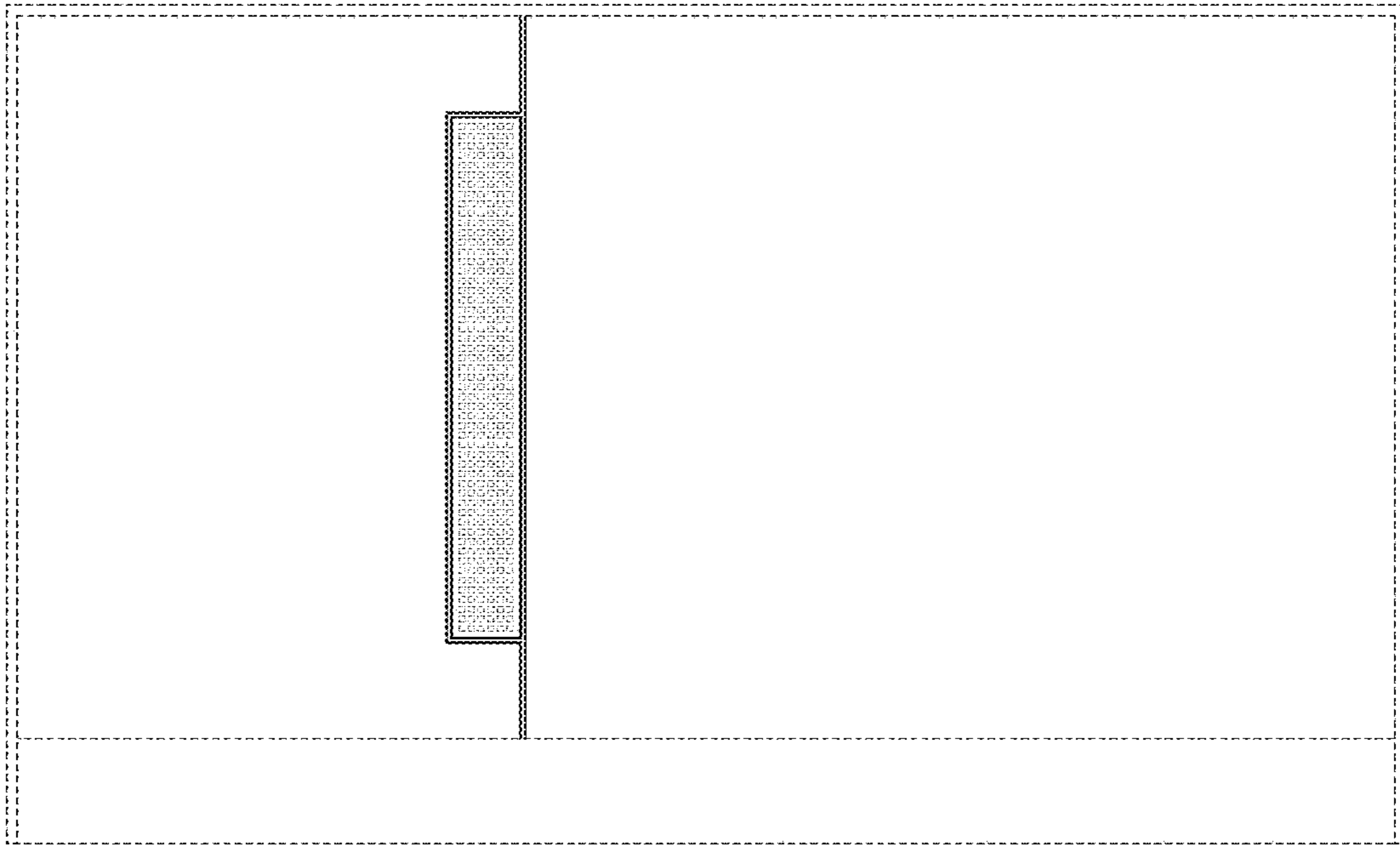
**FIG. 16**



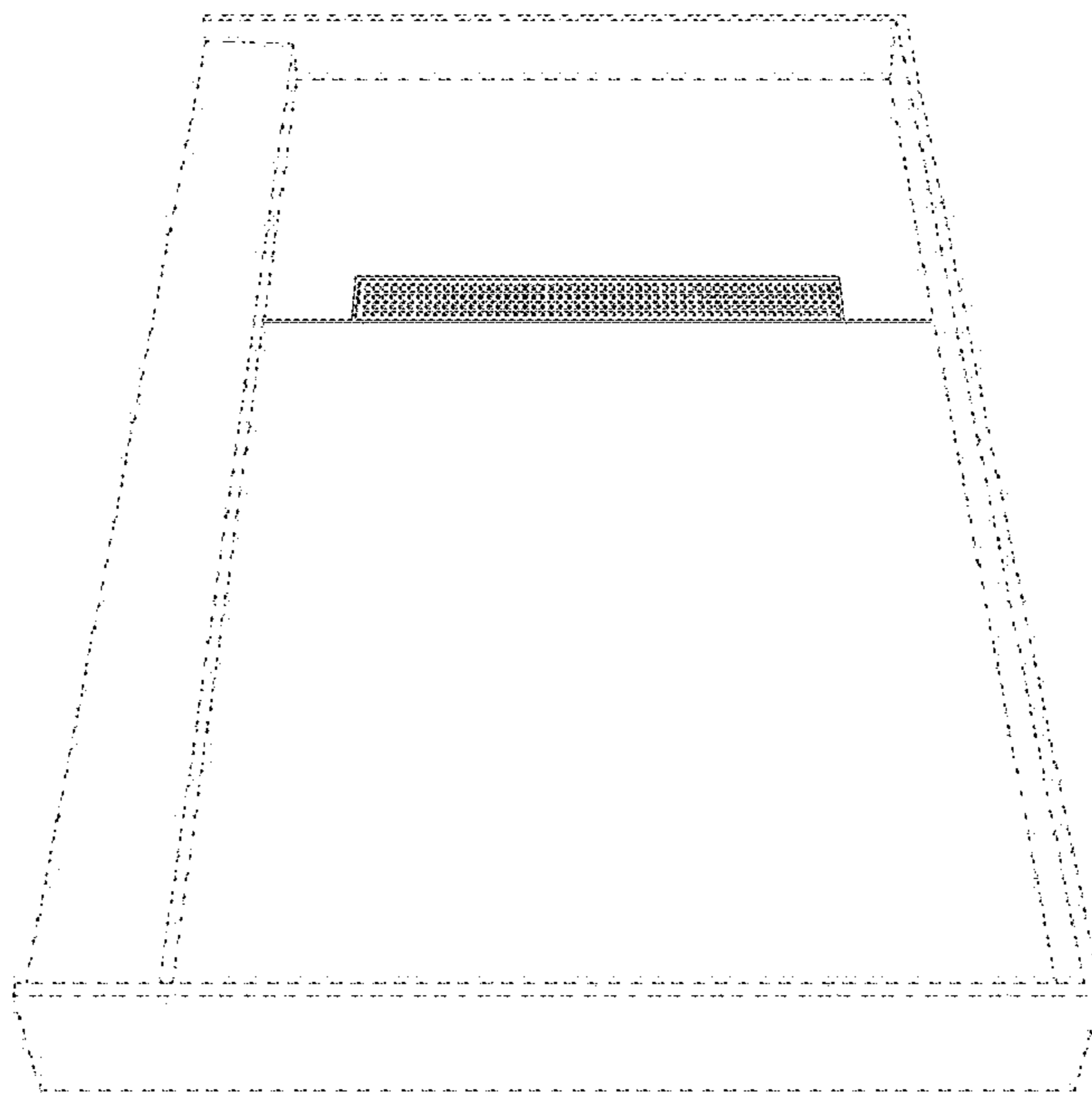
**FIG. 17**



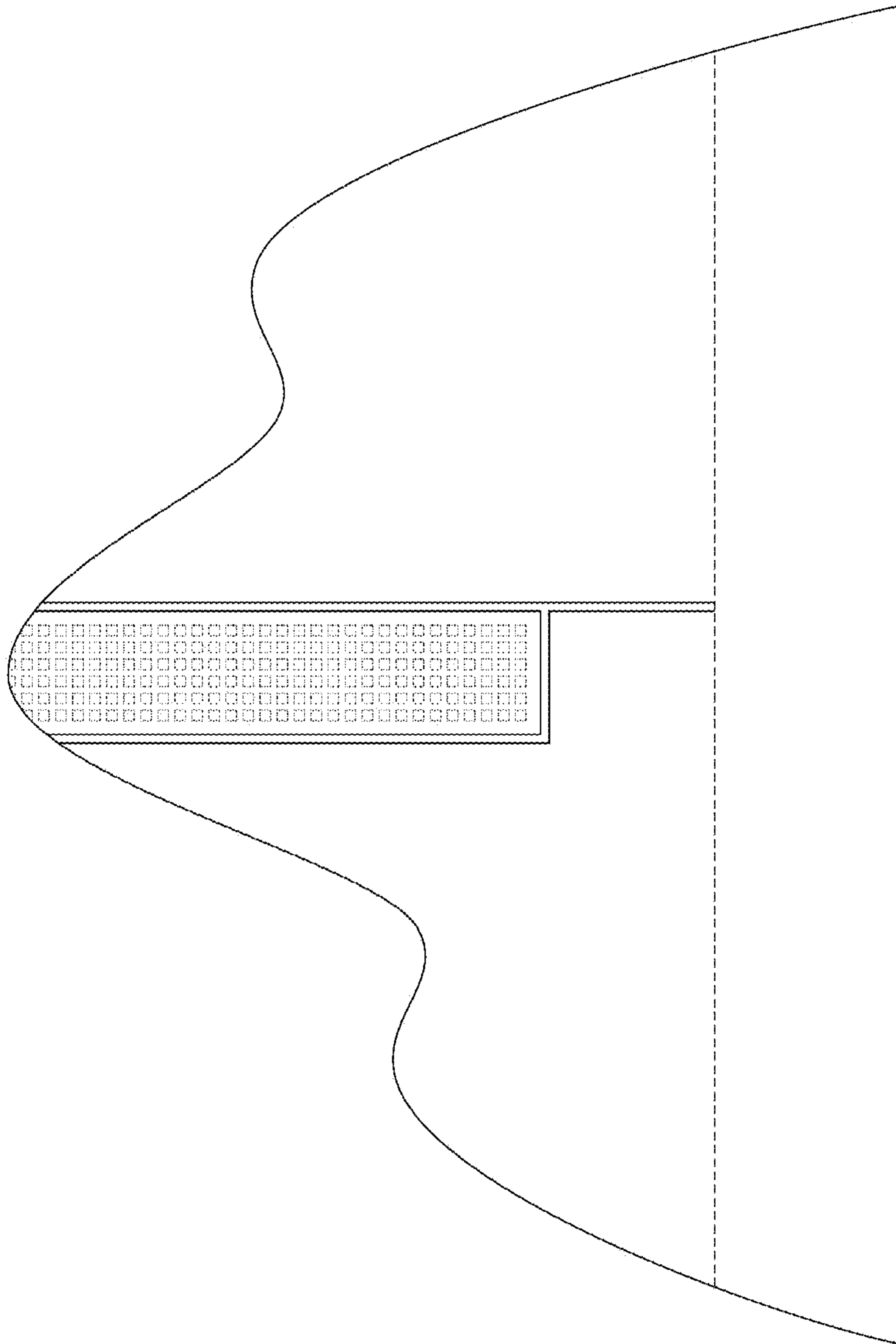
**FIG. 18**



**FIG. 19**

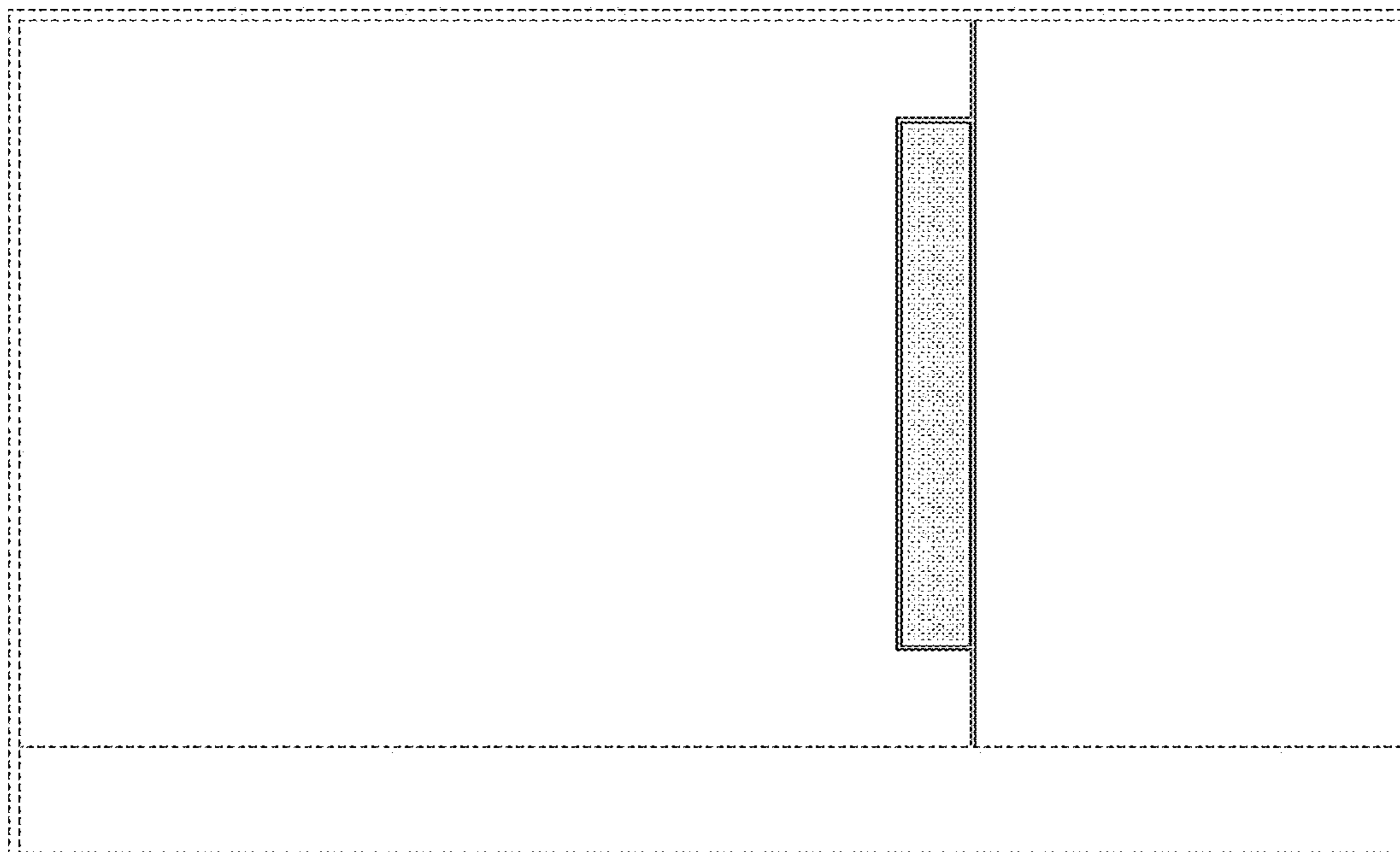


**FIG. 20**

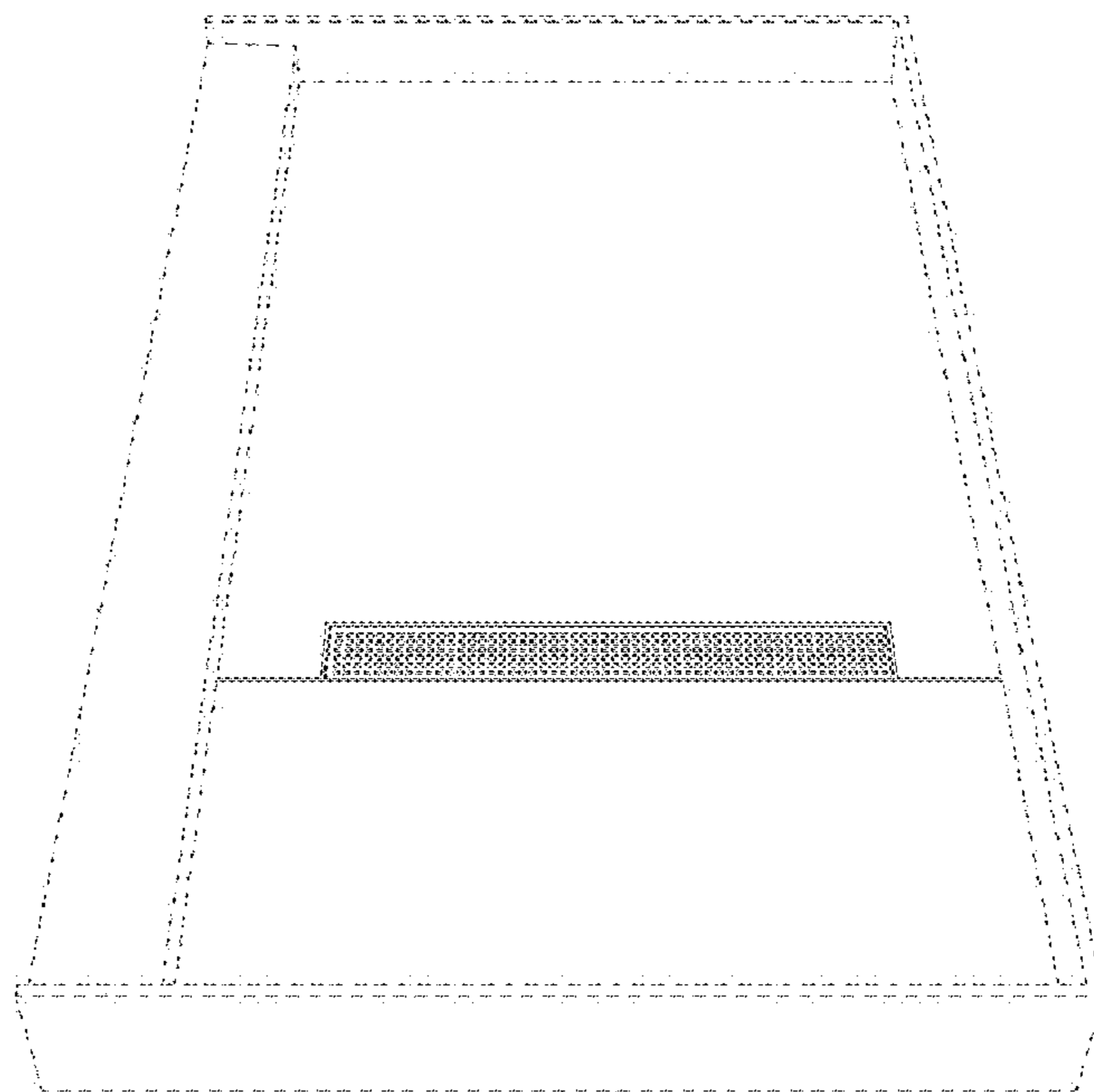


**FIG. 21**

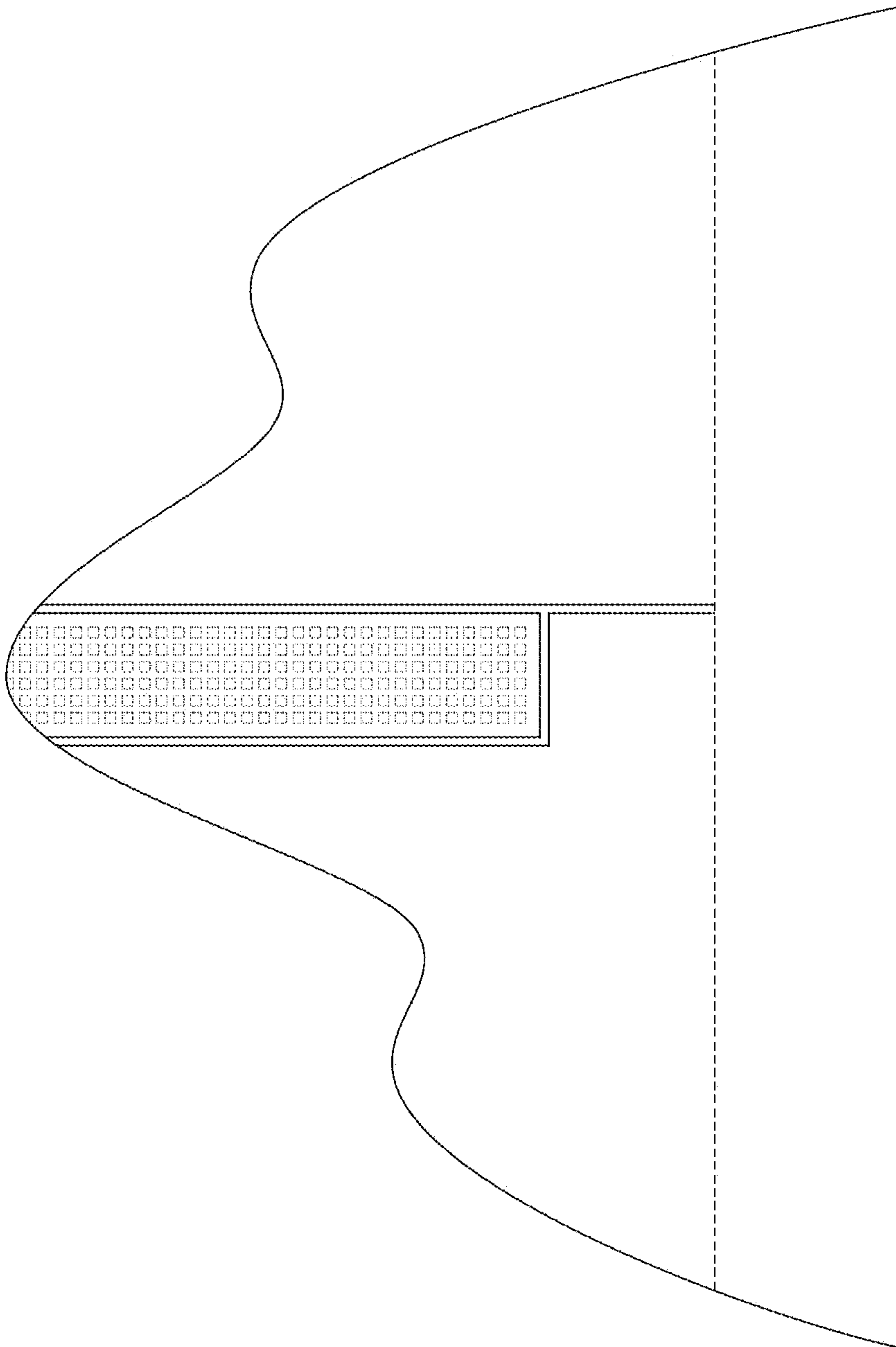




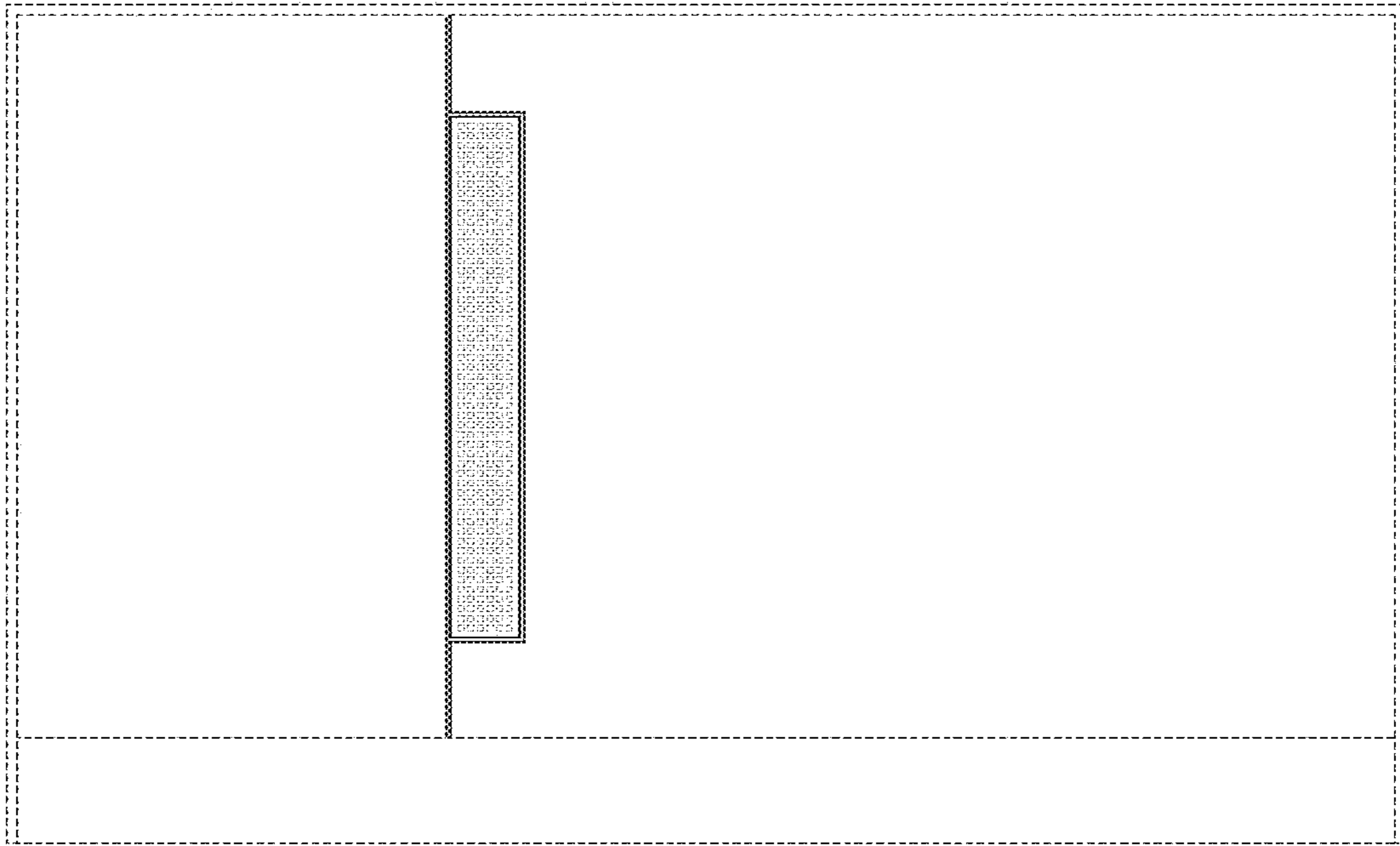
**FIG. 22**



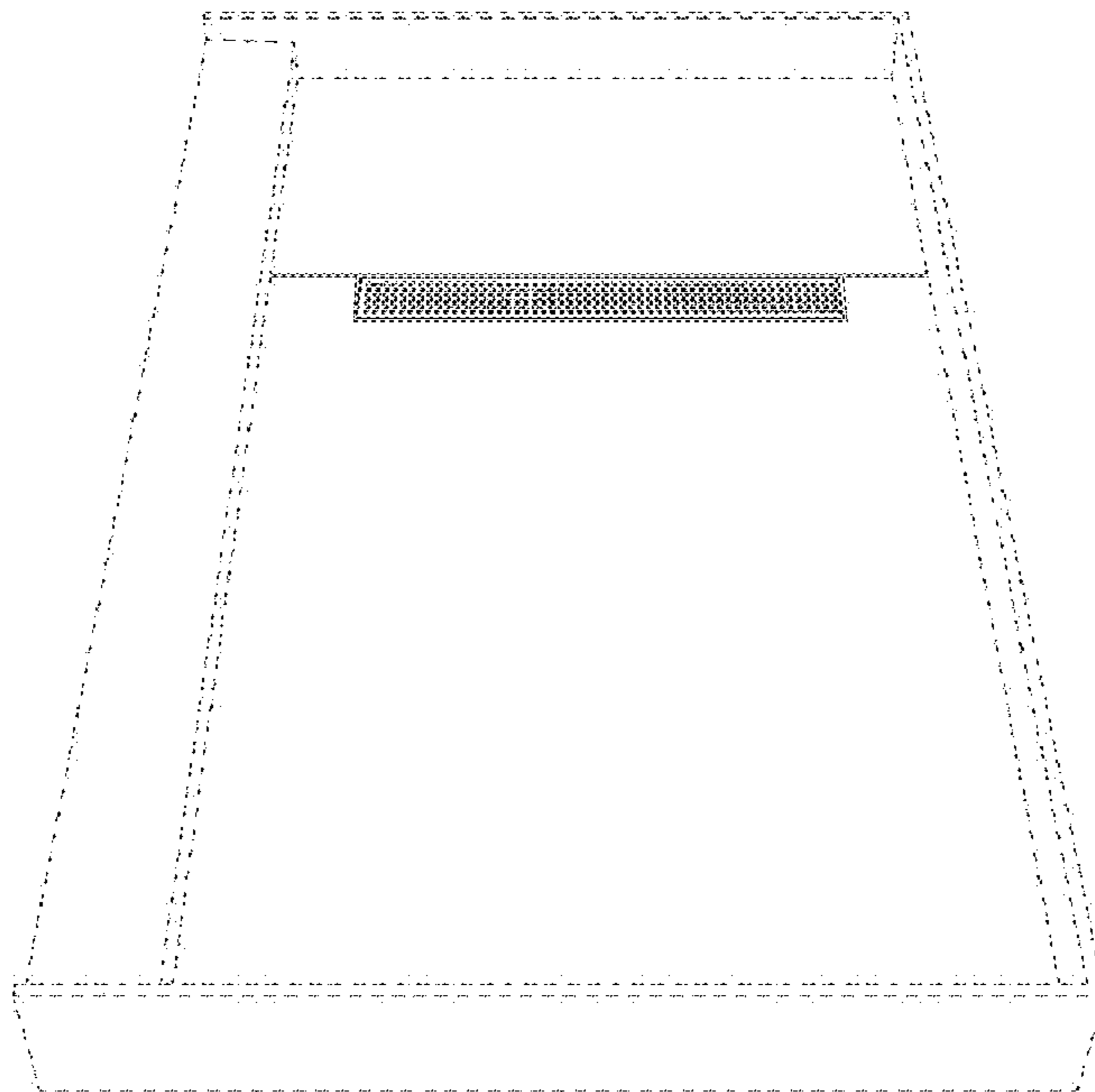
**FIG. 23**



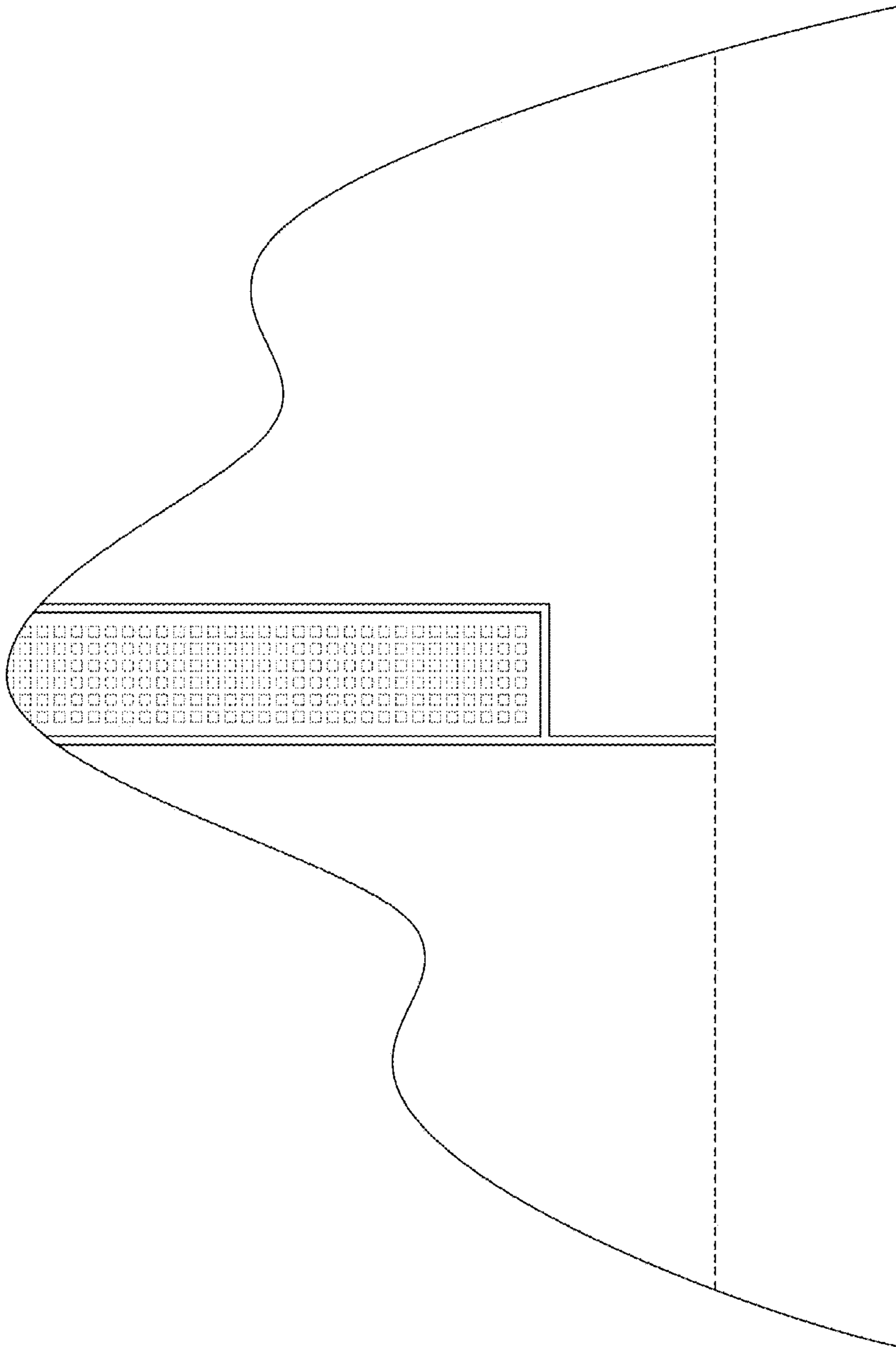
**FIG. 24**



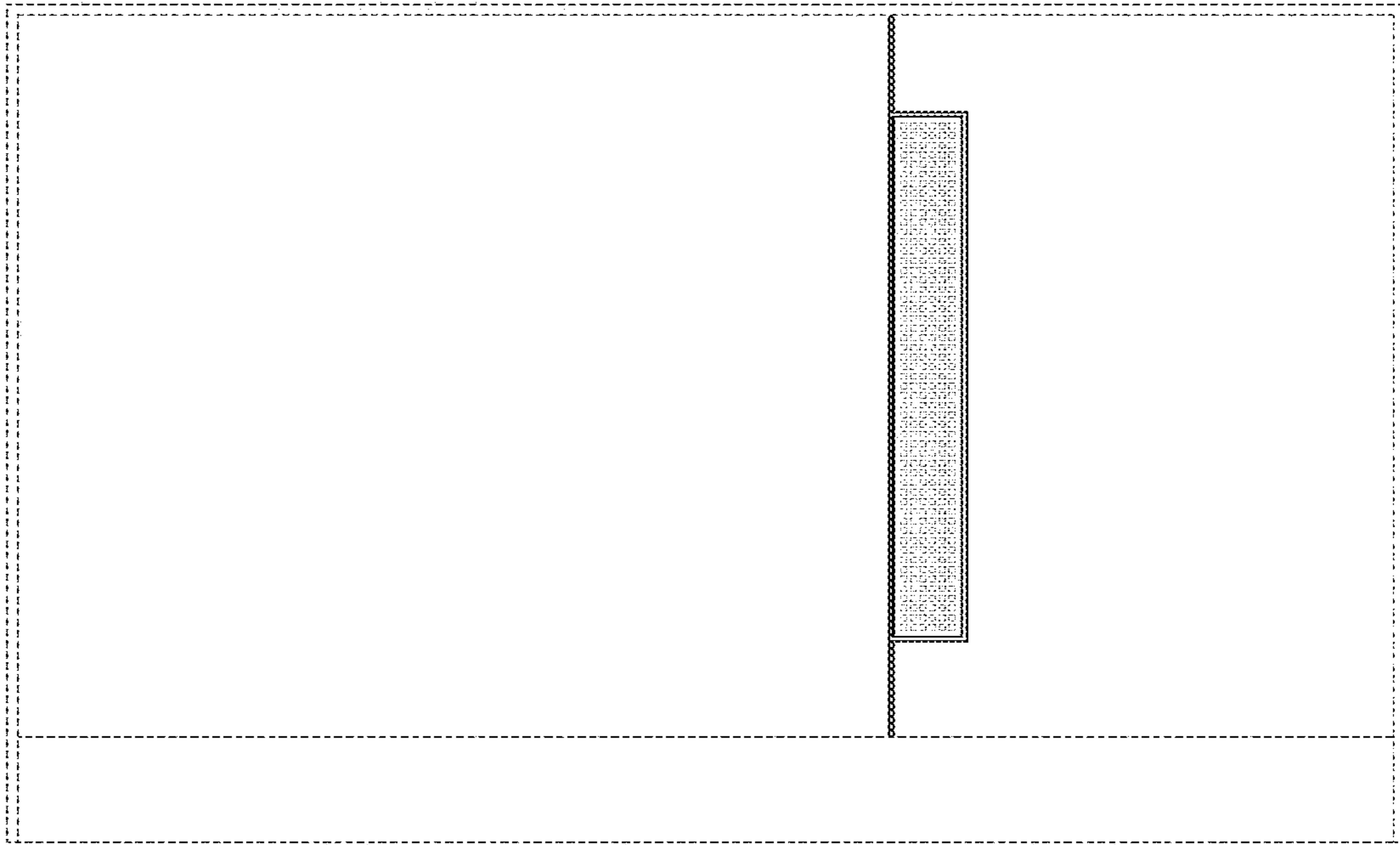
**FIG. 25**



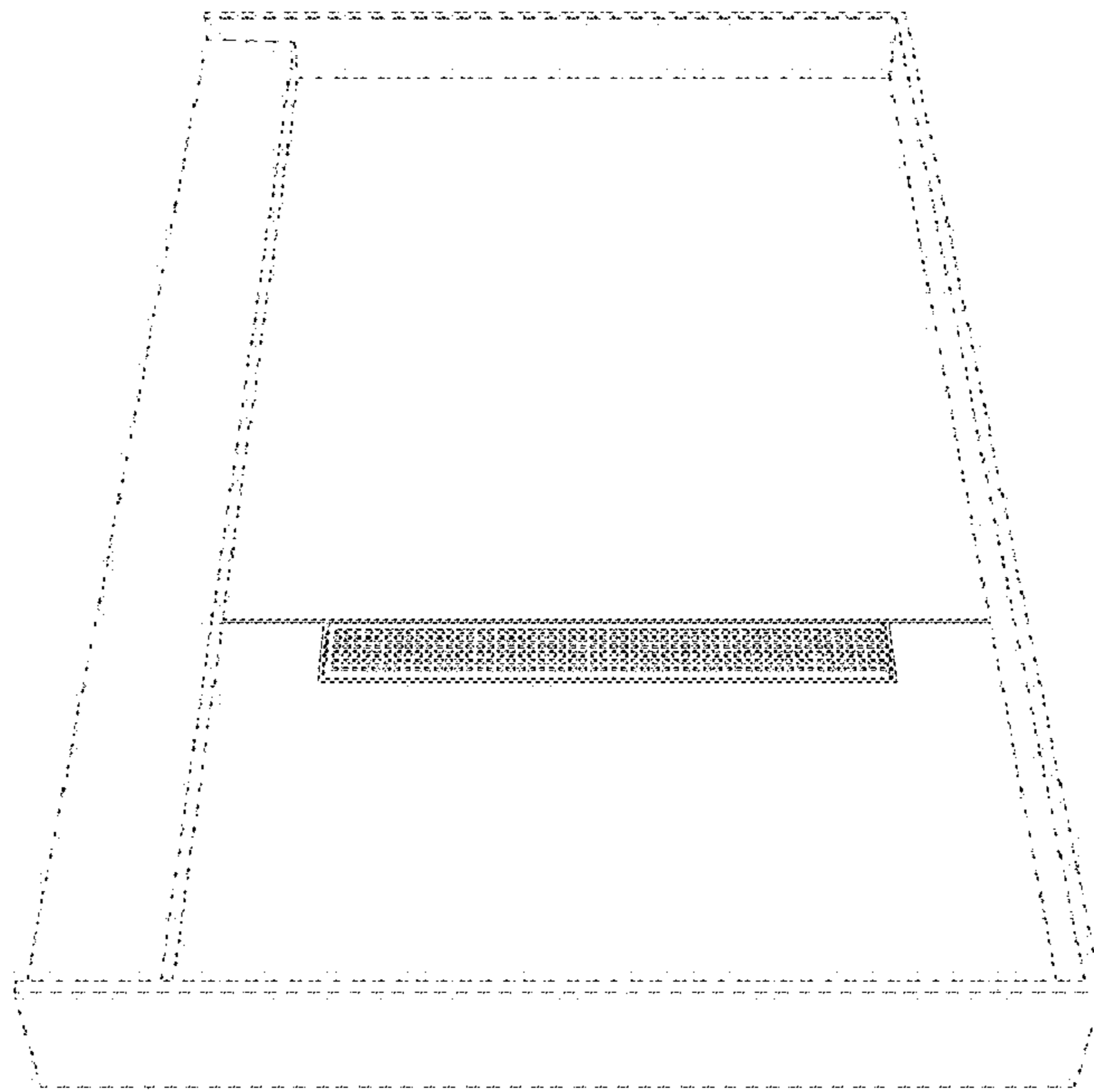
**FIG. 26**



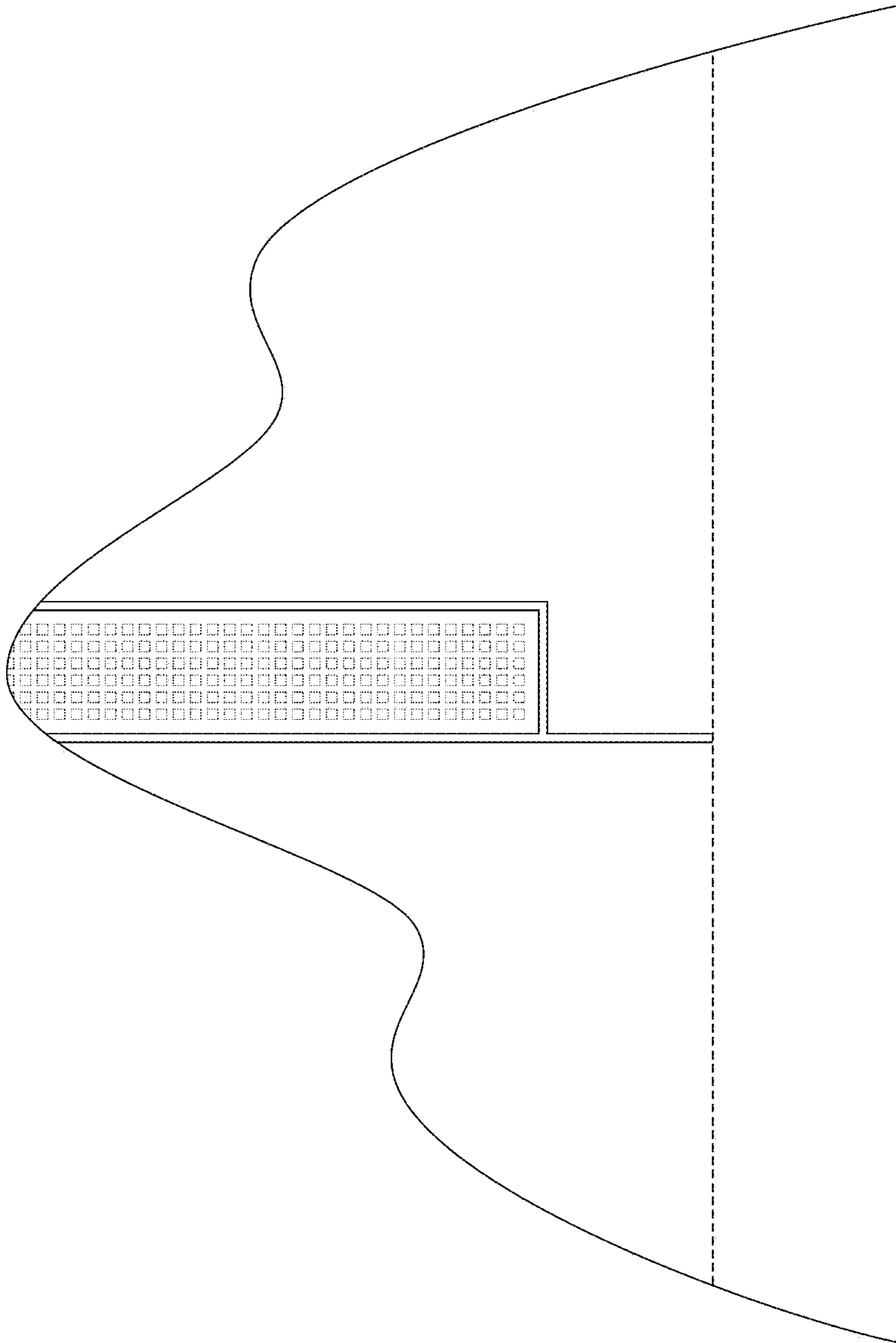
**FIG. 27**



**FIG. 28**



**FIG. 29**



**FIG. 30**