



US00D953494S

(12) **United States Design Patent** (10) **Patent No.:** **US D953,494 S**
Chen (45) **Date of Patent:** **** May 31, 2022**

(54) **FAUCET HANDLE**
(71) Applicant: **GLOBE UNION INDUSTRIAL CORP., Taichung (TW)**
(72) Inventor: **Wei-Jen Chen, Taichung (TW)**
(73) Assignee: **GLOBE UNION INDUSTRIAL CORP., Taichung (TW)**
(**) Term: **15 Years**
(21) Appl. No.: **29/766,179**
(22) Filed: **Jan. 14, 2021**
(51) **LOC (13) Cl.** **23-01**
(52) **U.S. Cl.**
USPC **D23/252**
(58) **Field of Classification Search**
USPC D23/238, 239, 240, 241, 242, 243, 246,
D23/247, 249, 250, 251, 252, 253;
D8/300, 307, 308
CPC . E03C 1/01; E03C 1/04; E03C 1/0401; E03C
1/0402; E03C 1/0405; E03C 1/0408;
E03C 1/025; E03C 1/0409; E03C 1/0412;
Y10T 137/5339; Y10T 137/6014; Y10T
137/6021
See application file for complete search history.

D800,268 S * 10/2017 Garland D23/252
D839,391 S * 1/2019 Eads D23/252
D840,512 S * 2/2019 Garland D23/252
D870,855 S * 12/2019 Eads D23/252
D940,833 S * 1/2022 Elser D23/252
2015/0152975 A1* 6/2015 Jonte F16K 31/602
251/208

FOREIGN PATENT DOCUMENTS

JP D2002-27517 * 10/2002

OTHER PUBLICATIONS

Amazon, GOTOTOP Basin Faucet Single Handle, posted Sep. 18, 2020, [online], [visited Feb. 24, 2022]. Internet, <URL: https://www.amazon.co.uk/GOTOTOP-Accessories-Bathroom-Washbasin-Straight/dp/B08JGQ9H2G/ref> (Year: 2020).*

(Continued)

Primary Examiner — Samantha Wood

(74) *Attorney, Agent, or Firm* — Leong C. Lei

(57) **CLAIM**

The ornamental design for a faucet handle, as shown and described.

DESCRIPTION

FIG. 1 is a perspective view of a faucet handle showing my new design;

FIG. 2 is a front elevational view thereof;

FIG. 3 is a rear elevational view thereof;

FIG. 4 is a left side elevational view thereof;

FIG. 5 is a right side elevational view thereof;

FIG. 6 is a top plan view thereof; and,

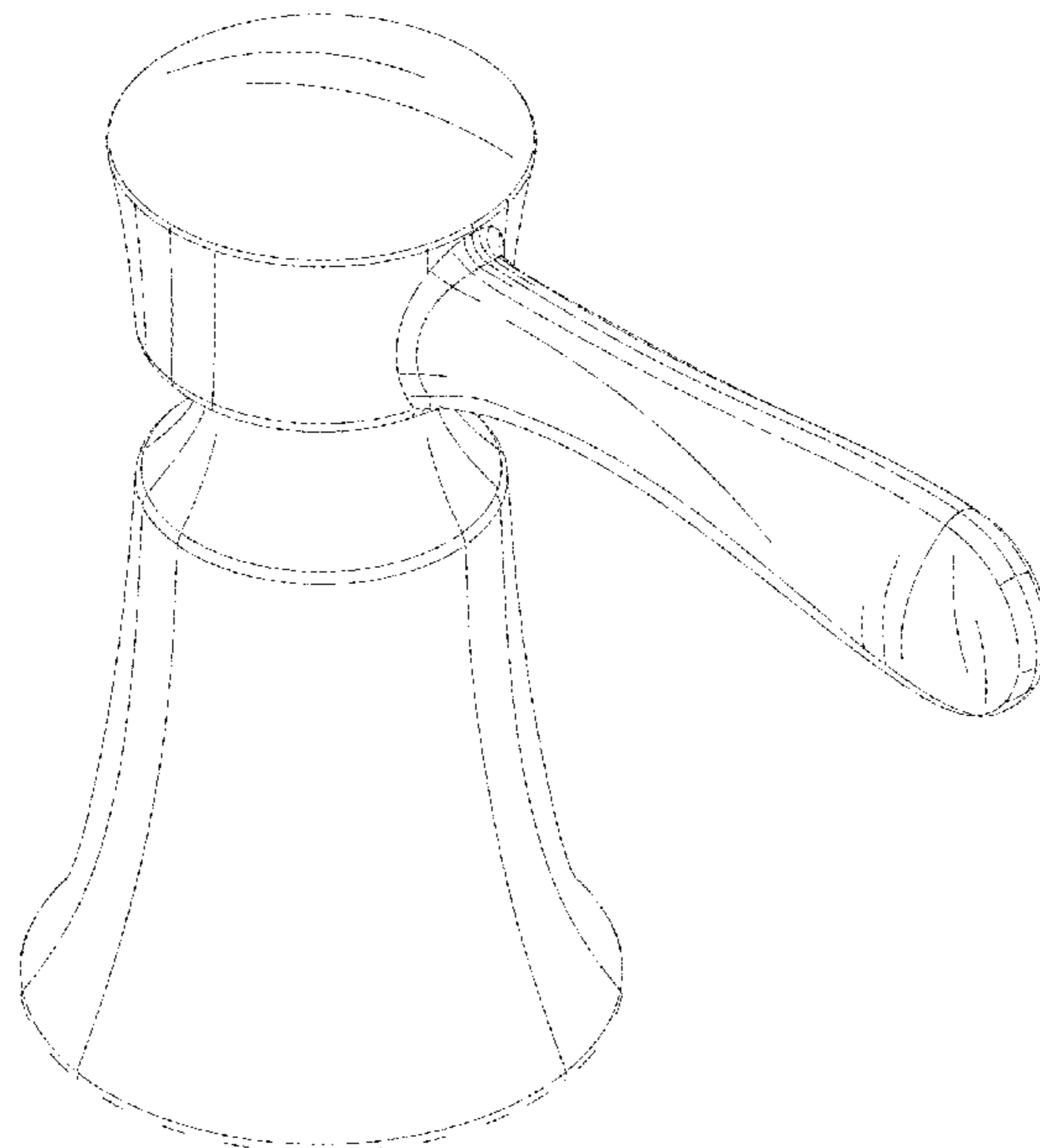
FIG. 7 is a bottom plan view thereof.

The portions shown in broken lines form no part of the claimed design.

1 Claim, 7 Drawing Sheets

(56) **References Cited**
U.S. PATENT DOCUMENTS

D475,764 S * 6/2003 Singtoroj D23/241
D514,204 S * 1/2006 Spangler D23/252
D603,938 S * 11/2009 Schoenherr D23/252
D651,692 S * 1/2012 Vanderheyden D23/252
D661,376 S * 6/2012 Vanderheyden D23/252
D674,881 S * 1/2013 Kwok D23/252
D713,509 S * 9/2014 Potter D23/242
D757,908 S * 5/2016 Fritz D23/252
D796,640 S * 9/2017 Dube D23/252



(56)

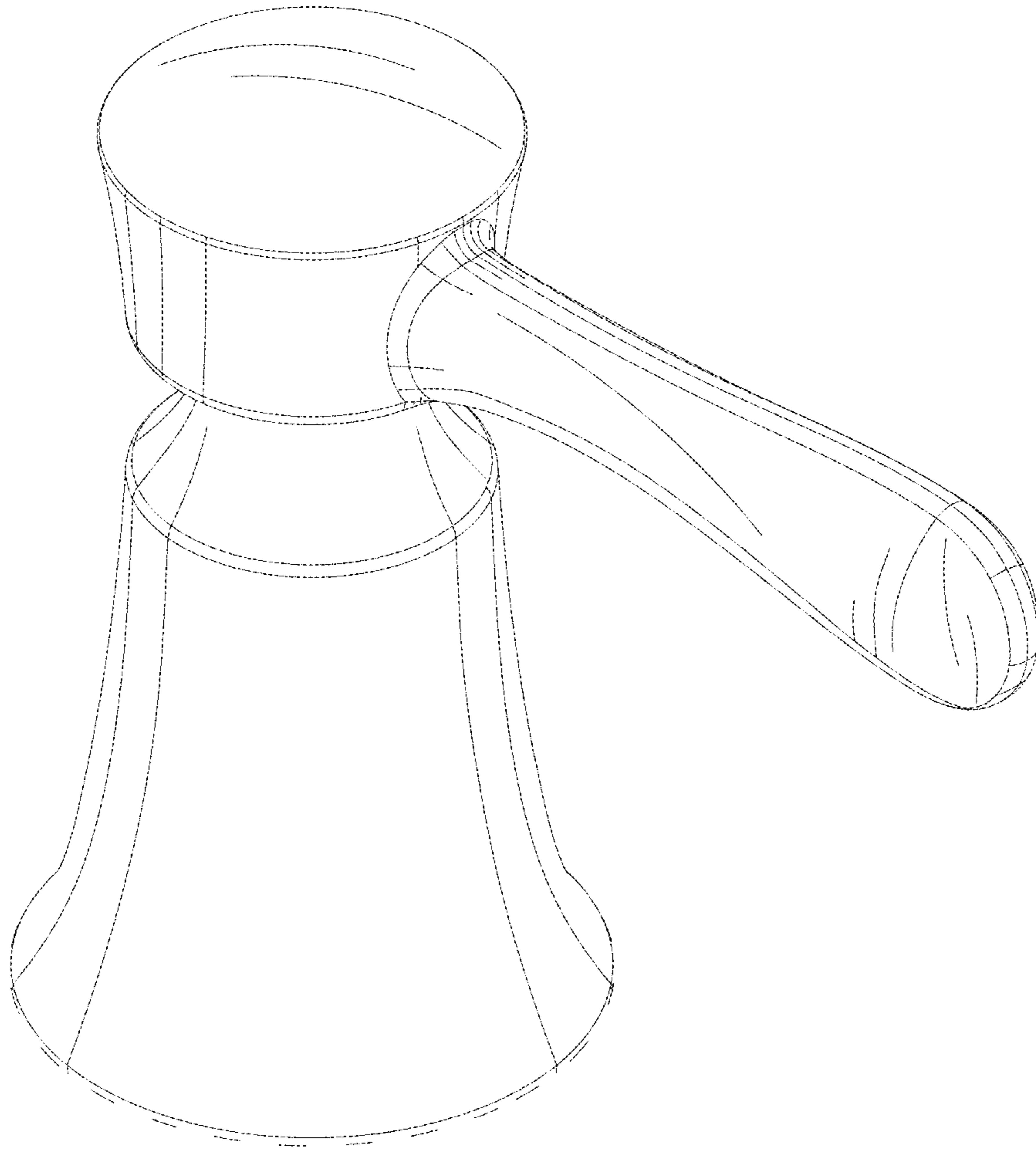
References Cited

OTHER PUBLICATIONS

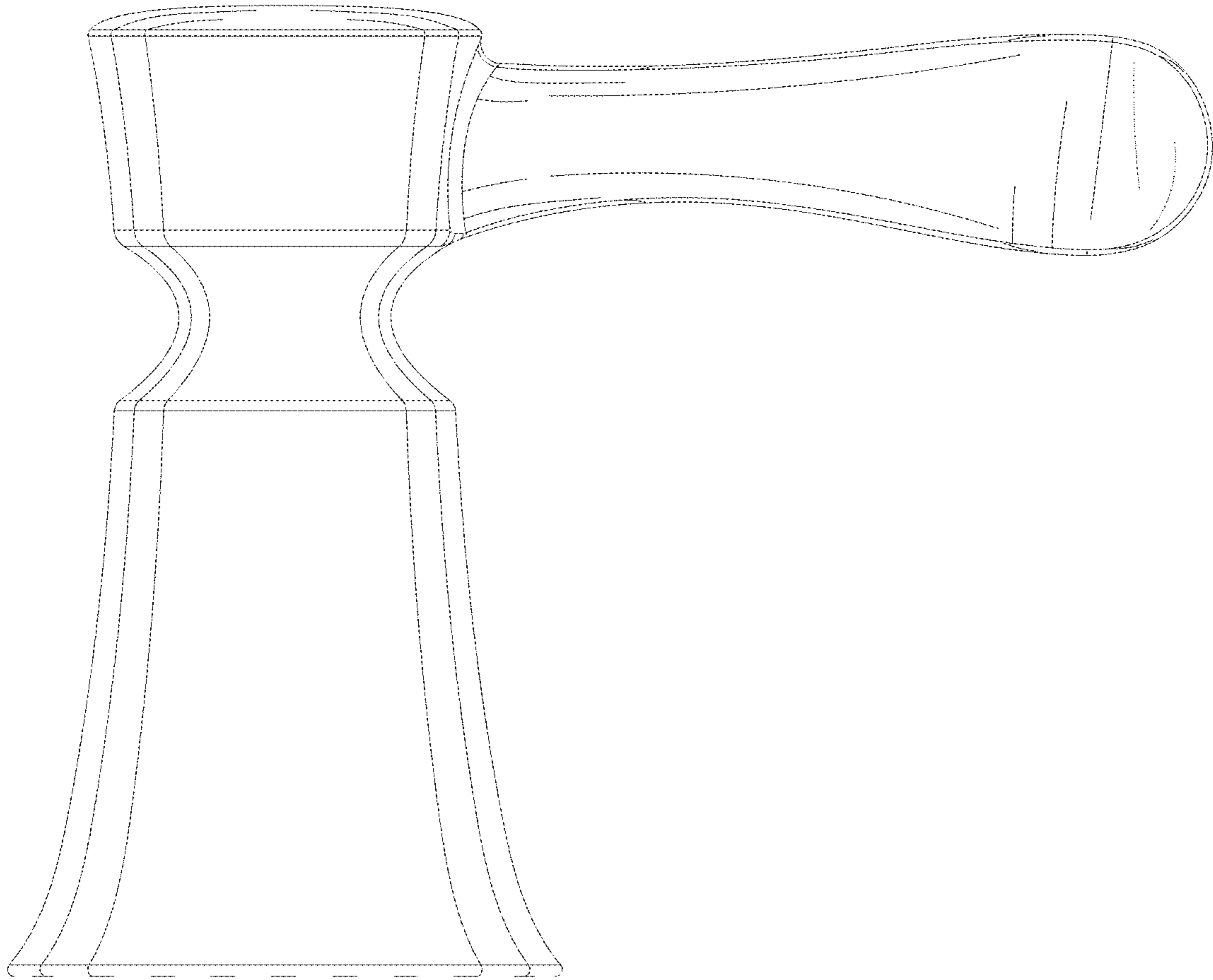
Amazon, Moen Caldwell Bathroom Faucet, posted Jul. 4, 2016, [online], [visited Feb. 24, 2022]. Internet, <URL: <https://www.amazon.com/Moen-WS84440BRB-Two-Handle-Bathroom-Mediterranean/dp/B01HYJ6MZQ/ref>> (Year: 2016).*

Amazon, DREAMIND Widespread Bathroom Faucet, posted Jul. 16, 2021, [online], [visited Feb. 24, 2022]. Internet, <URL: <https://www.amazon.com/DREAMIND-Handles-Widespread-Bathroom-Lavatory/dp/B098PYCKF1/ref>> (Year: 2021).*

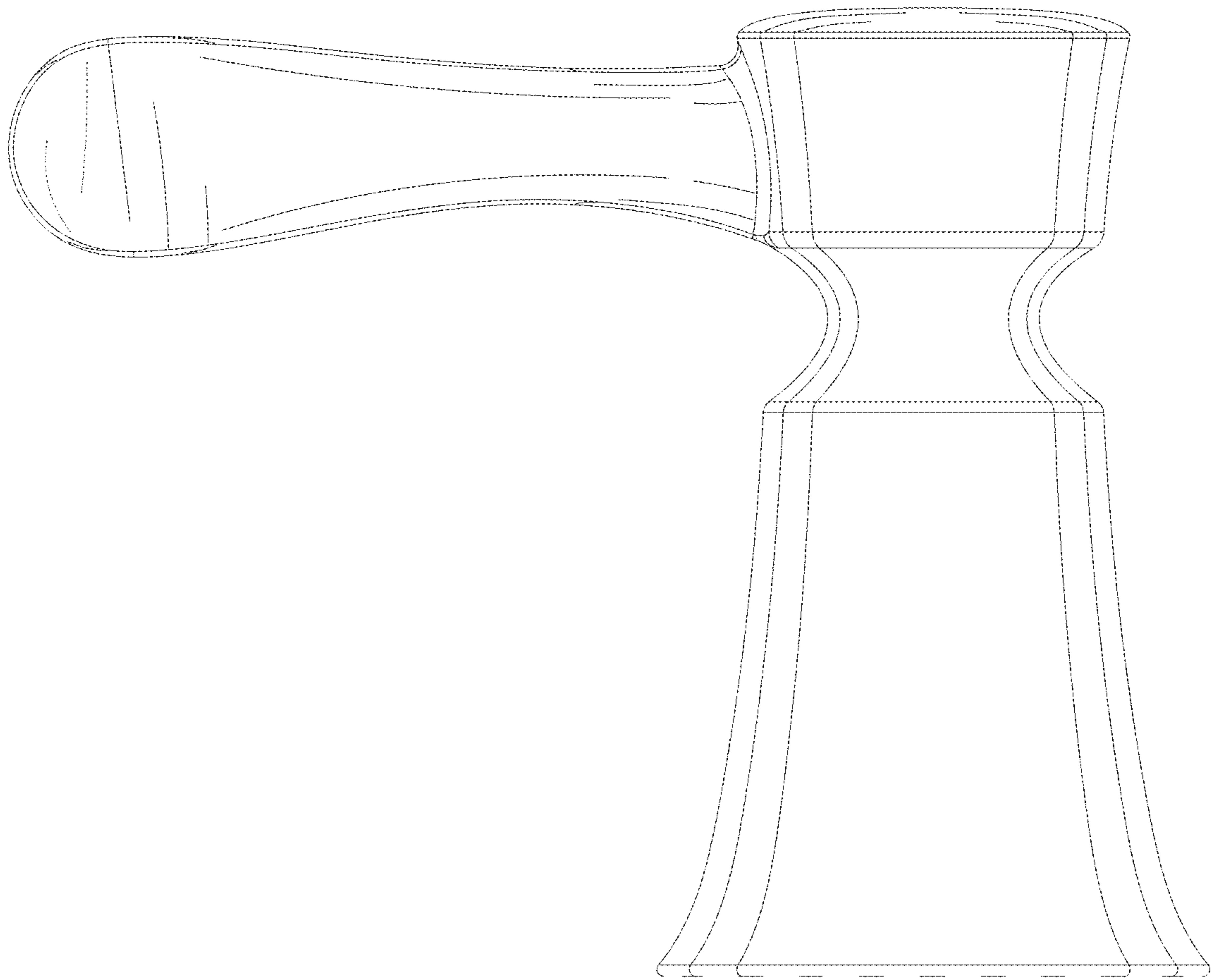
* cited by examiner



F I G. 1



F I G. 2



F I G. 3

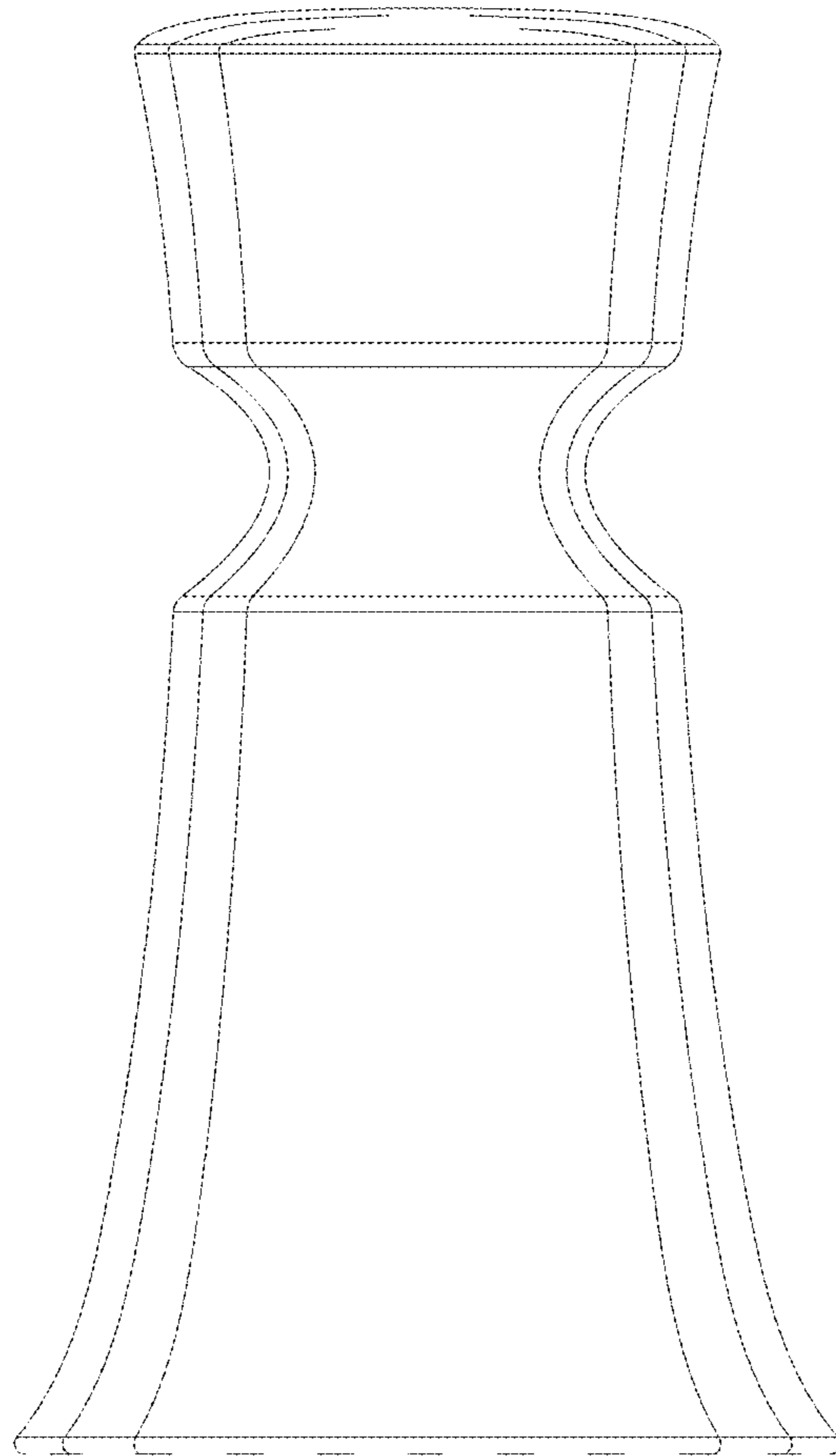


FIG. 4

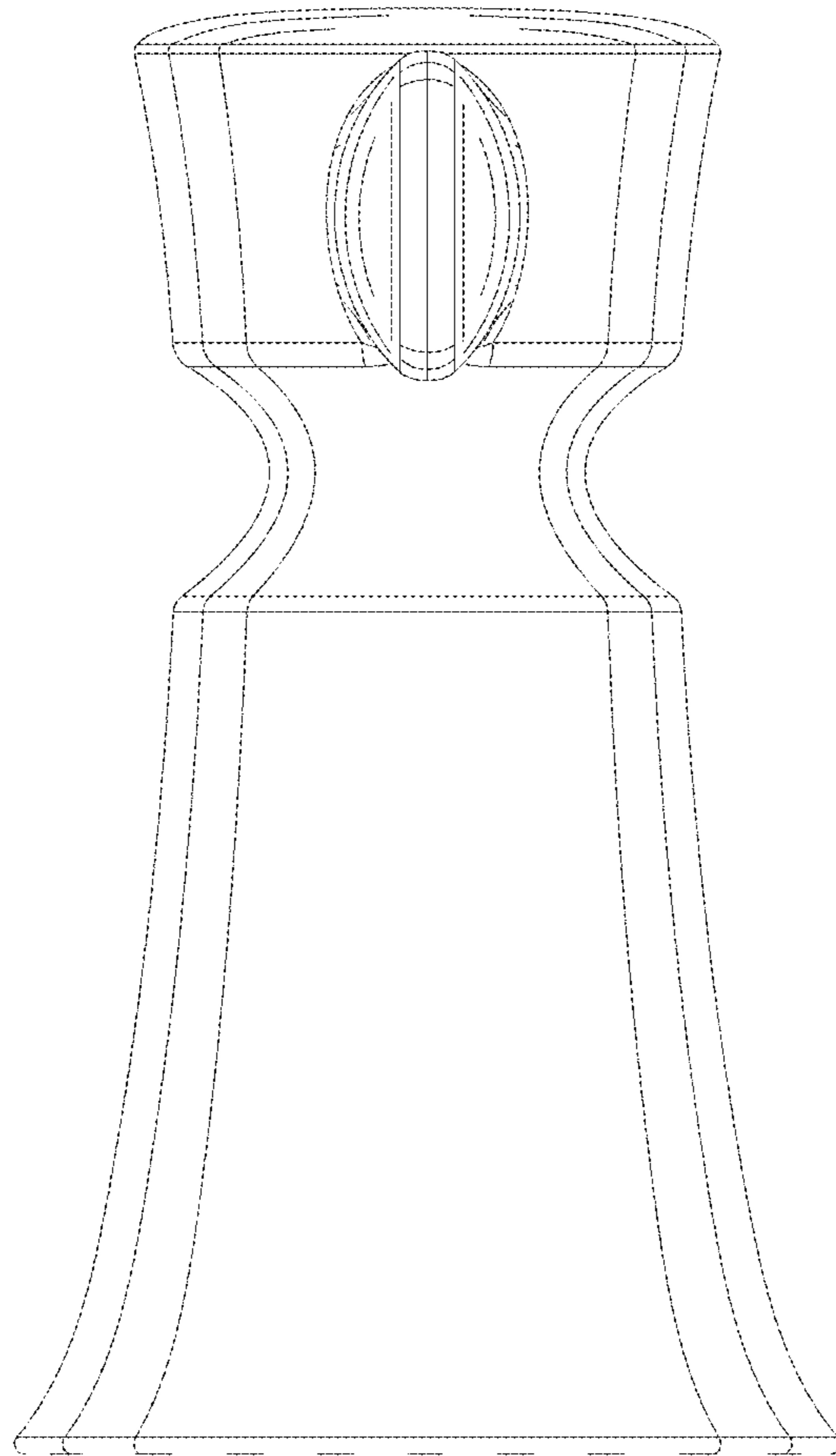


FIG. 5

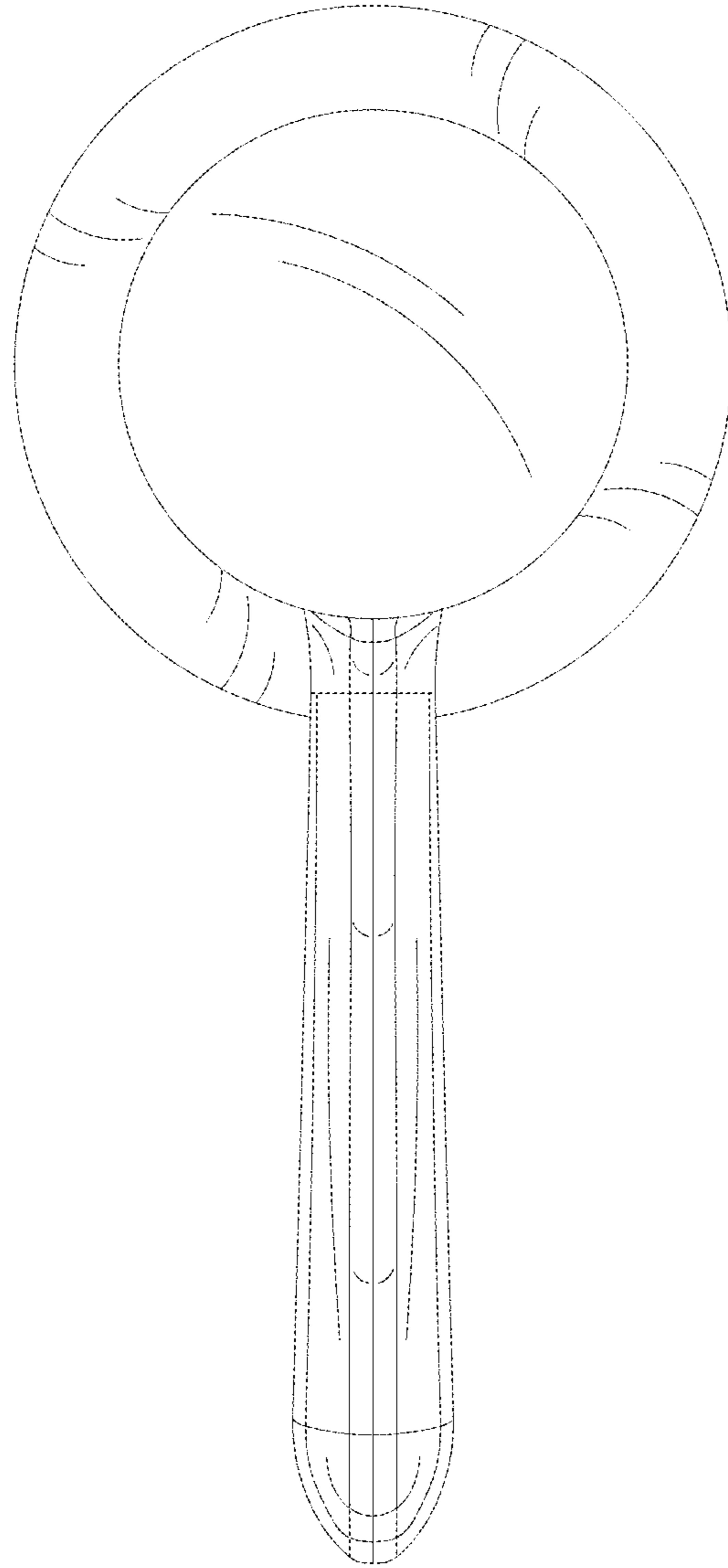


FIG. 6

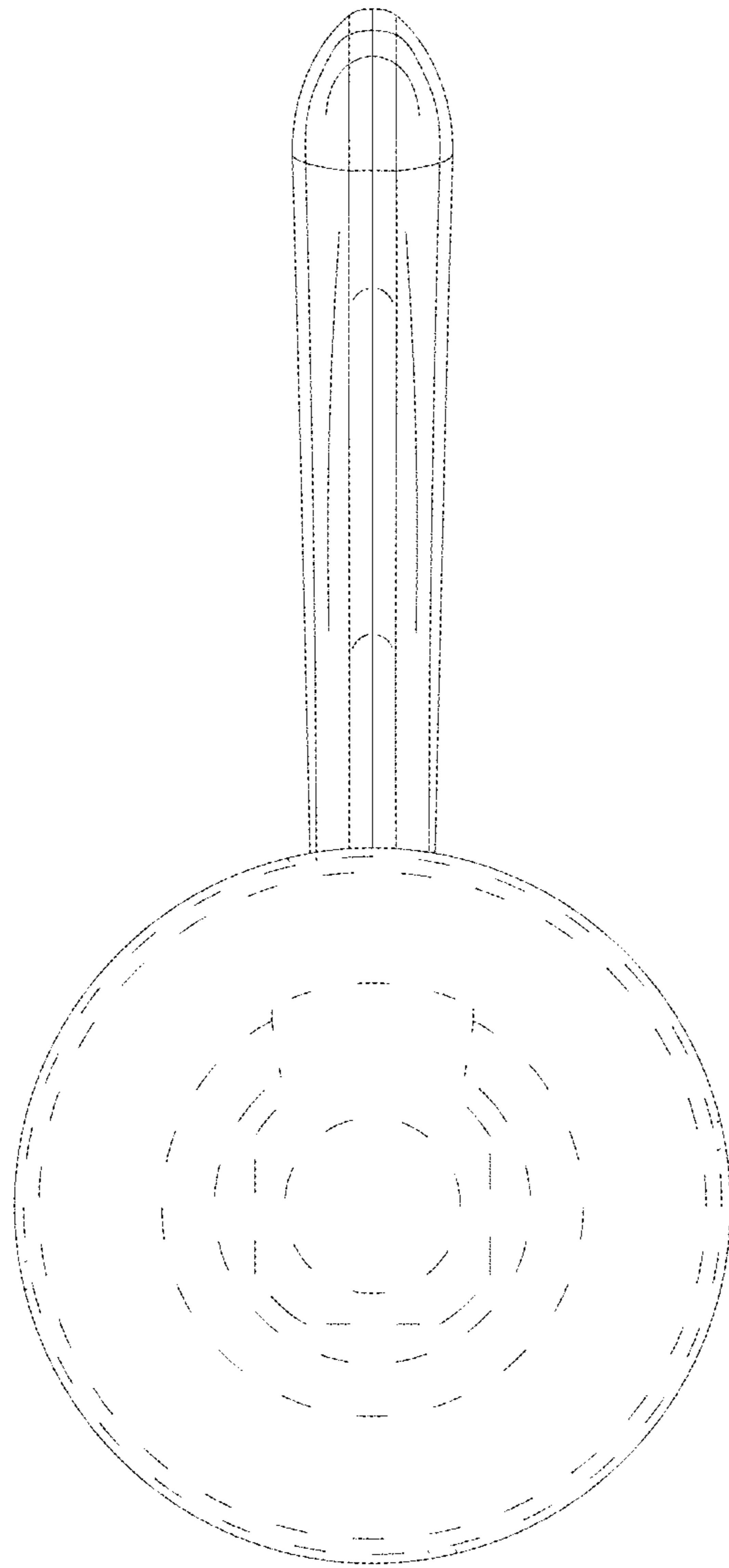


FIG. 7