



US00D953493S

(12) **United States Design Patent** (10) **Patent No.:** **US D953,493 S**
Elser (45) **Date of Patent:** **** May 31, 2022**

- (54) **FAUCET**
- (71) Applicant: **DELTA FAUCET COMPANY,**
Indianapolis, IN (US)
- (72) Inventor: **Simon Elser,** Indianapolis, IN (US)
- (73) Assignee: **DELTA FAUCET COMPANY,**
Indianapolis, IN (US)
- (**) Term: **15 Years**
- (21) Appl. No.: **29/750,107**
- (22) Filed: **Sep. 11, 2020**
- (51) **LOC (13) Cl.** **23-01**
- (52) **U.S. Cl.**
USPC **D23/238**
- (58) **Field of Classification Search**
USPC D23/257, 259, 234-241, 242-255
CPC Y10T 137/9464; E03C 1/00; E03C 1/02;
E03C 1/04; E03C 1/0412; E03C 1/042;
E03C 1/044; D03C 1/0402; D03C 1/0405
See application file for complete search history.

D835,236 S * 12/2018 Ziemann D23/238
D867,524 S * 11/2019 Tentler D23/213
D873,960 S * 1/2020 Fritz D23/238

OTHER PUBLICATIONS

Amazon, Peppermint Pull down Kitchen Sink Faucet, posted May 27, 2020, [online], [visited Oct. 27, 2021], Internet, <URL: <https://www.amazon.co.uk/Kitchen-Contemporary-Gooseneck-Stainless-Peppermint/dp/B0897HSTS2/ref>> (Year: 2020).*

Amazon, HAOXIN Black Kitchen Tap, posted May 16, 2018, [online], [visited Oct. 27, 2021]. Internet, <URL: <https://www.amazon.co.uk/dp/B07D45VBQW/ref>> (Year: 2018).*

* cited by examiner

Primary Examiner — Samantha Wood

(74) *Attorney, Agent, or Firm* — Nirav D. Parikh; Edgar A. Zarins

(57) **CLAIM**

The ornamental design for a faucet, as shown and described.

DESCRIPTION

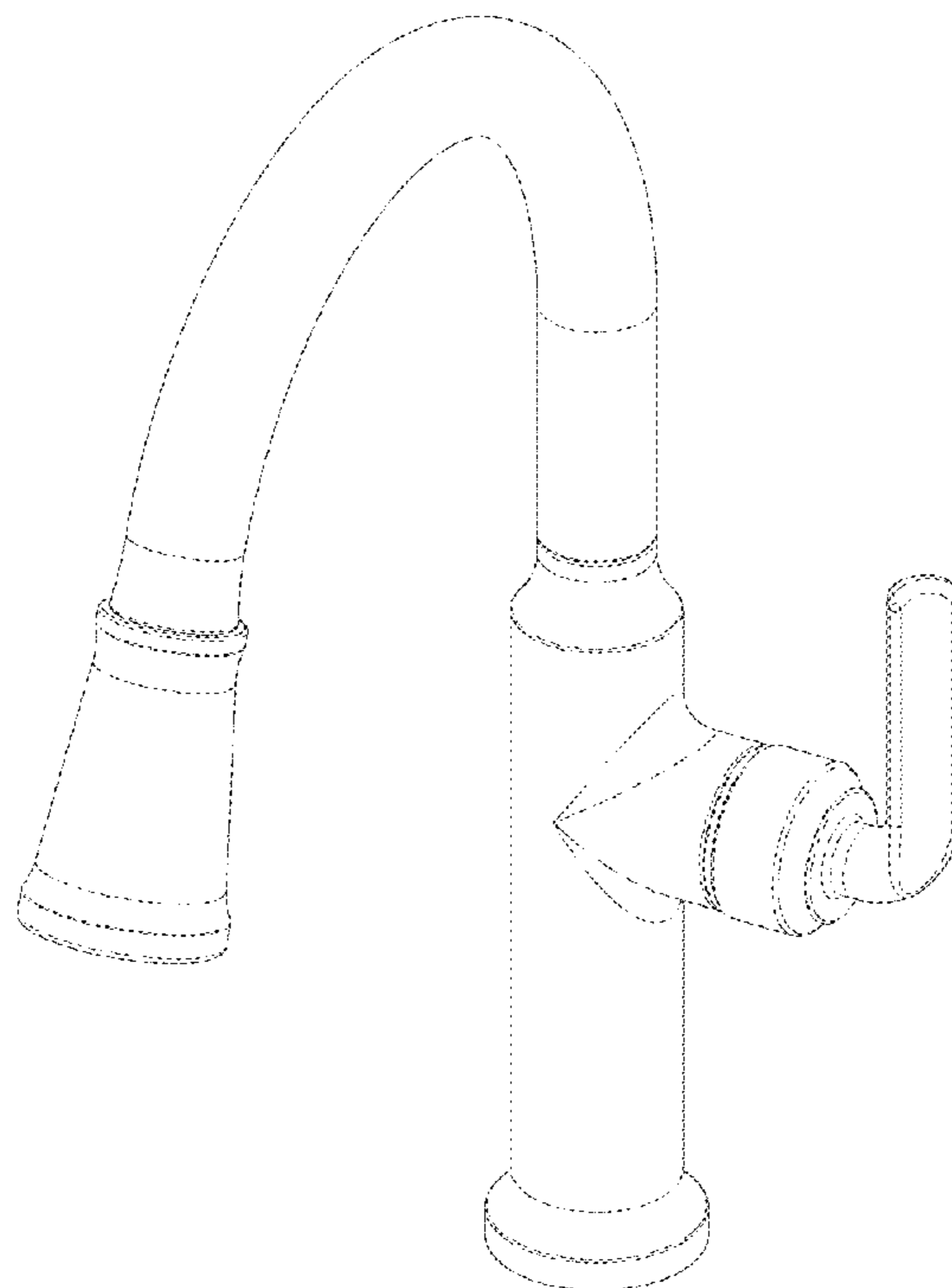
FIG. 1 is a front perspective view of a faucet showing my new design;
FIG. 2 is a rear perspective view thereof;
FIG. 3 is a front elevational view thereof;
FIG. 4 is a left side view thereof;
FIG. 5 is a rear view thereof;
FIG. 6 is a right side view thereof;
FIG. 7 is a top plan view thereof; and,
FIG. 8 is a bottom view thereof.
The broken lines are included for the purpose of illustrating portions of the faucet and form no part of the claimed design.

1 Claim, 4 Drawing Sheets

(56) **References Cited**

U.S. PATENT DOCUMENTS

D503,777 S * 4/2005 Costello D23/238
D510,126 S * 9/2005 Ouyoung D23/238
D531,698 S * 11/2006 Wood D23/238
D532,488 S * 11/2006 Berberet D23/252
D535,357 S * 1/2007 Zhou D23/238
D594,934 S * 6/2009 Vu D23/238
D610,653 S * 2/2010 Schoenherr D23/238
D786,405 S * 5/2017 Schaubach D23/238



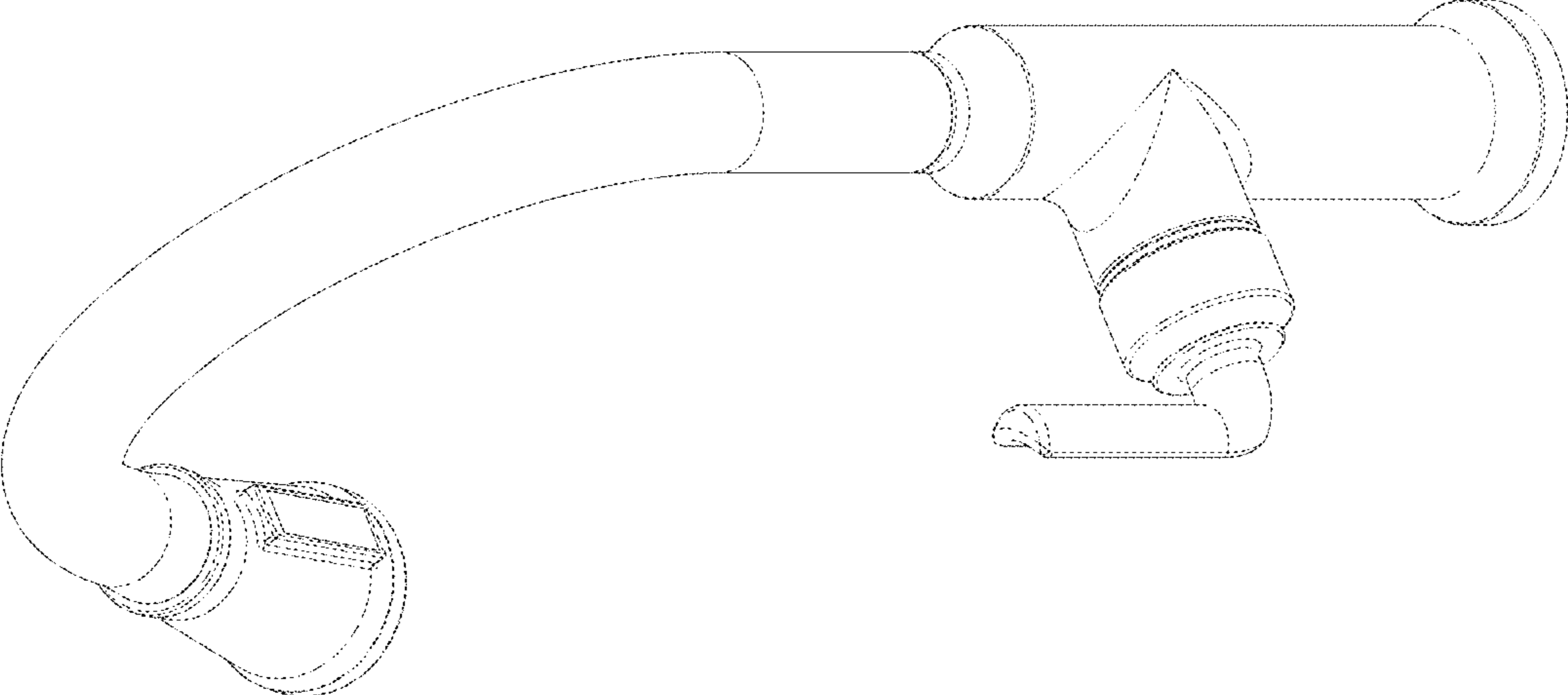


FIG - 2

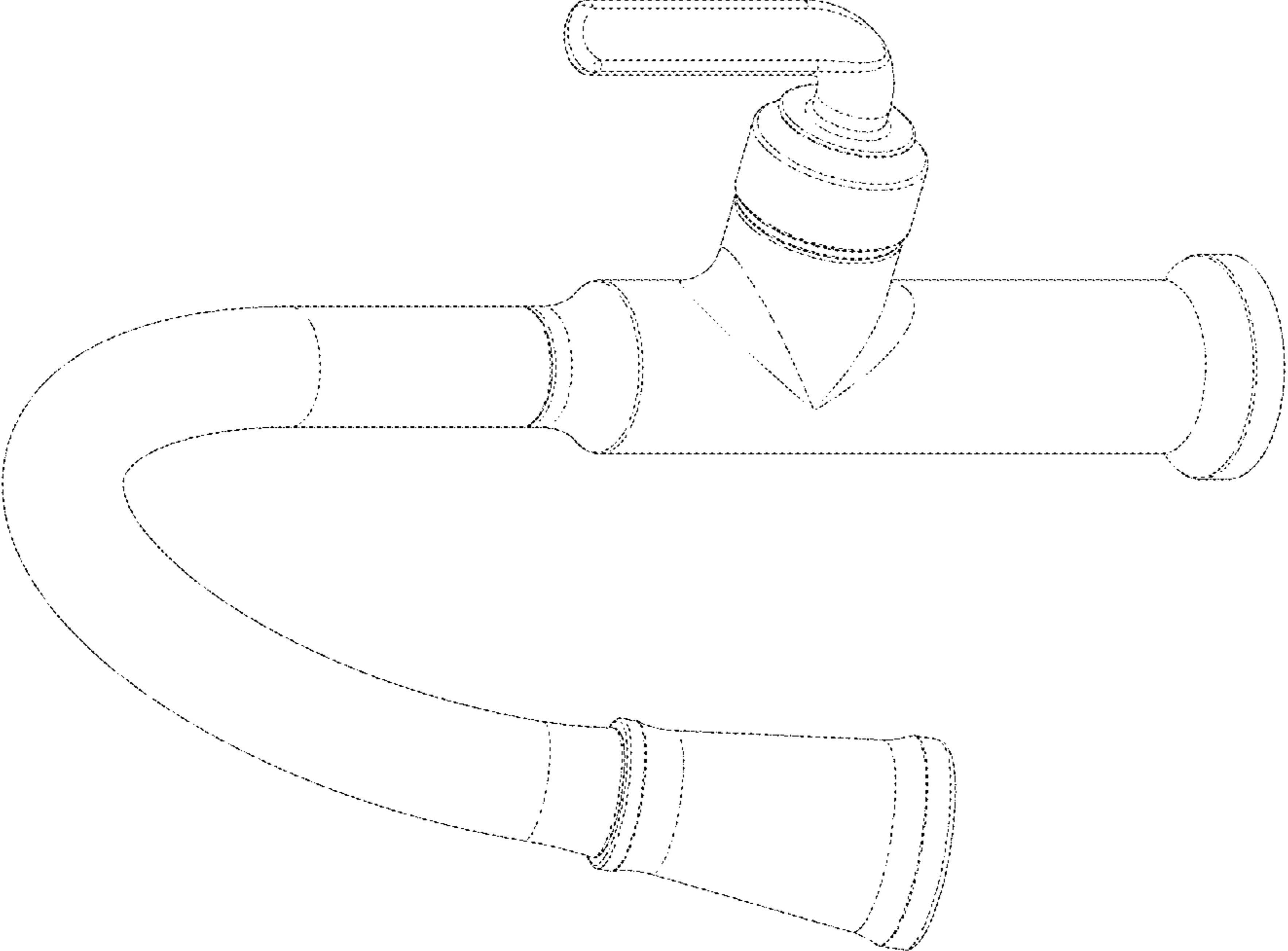


FIG - 1

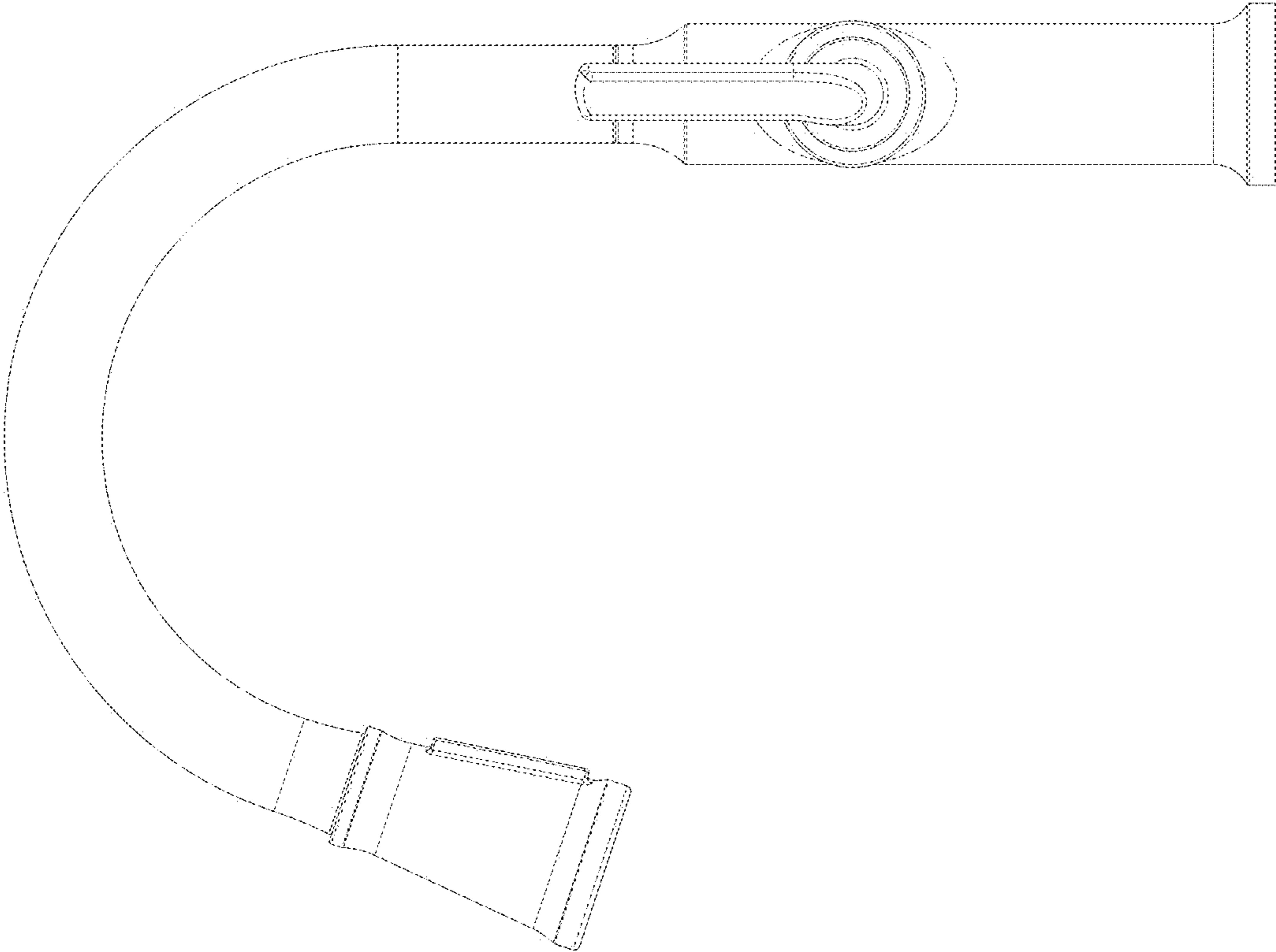


FIG - 4

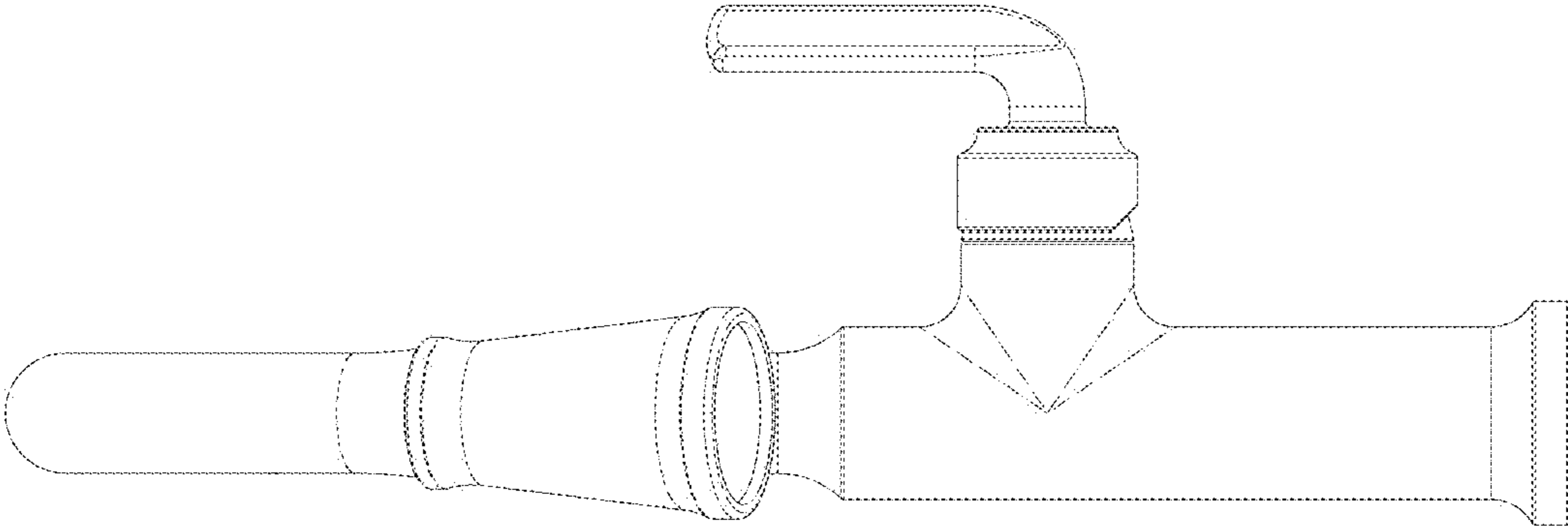


FIG - 3

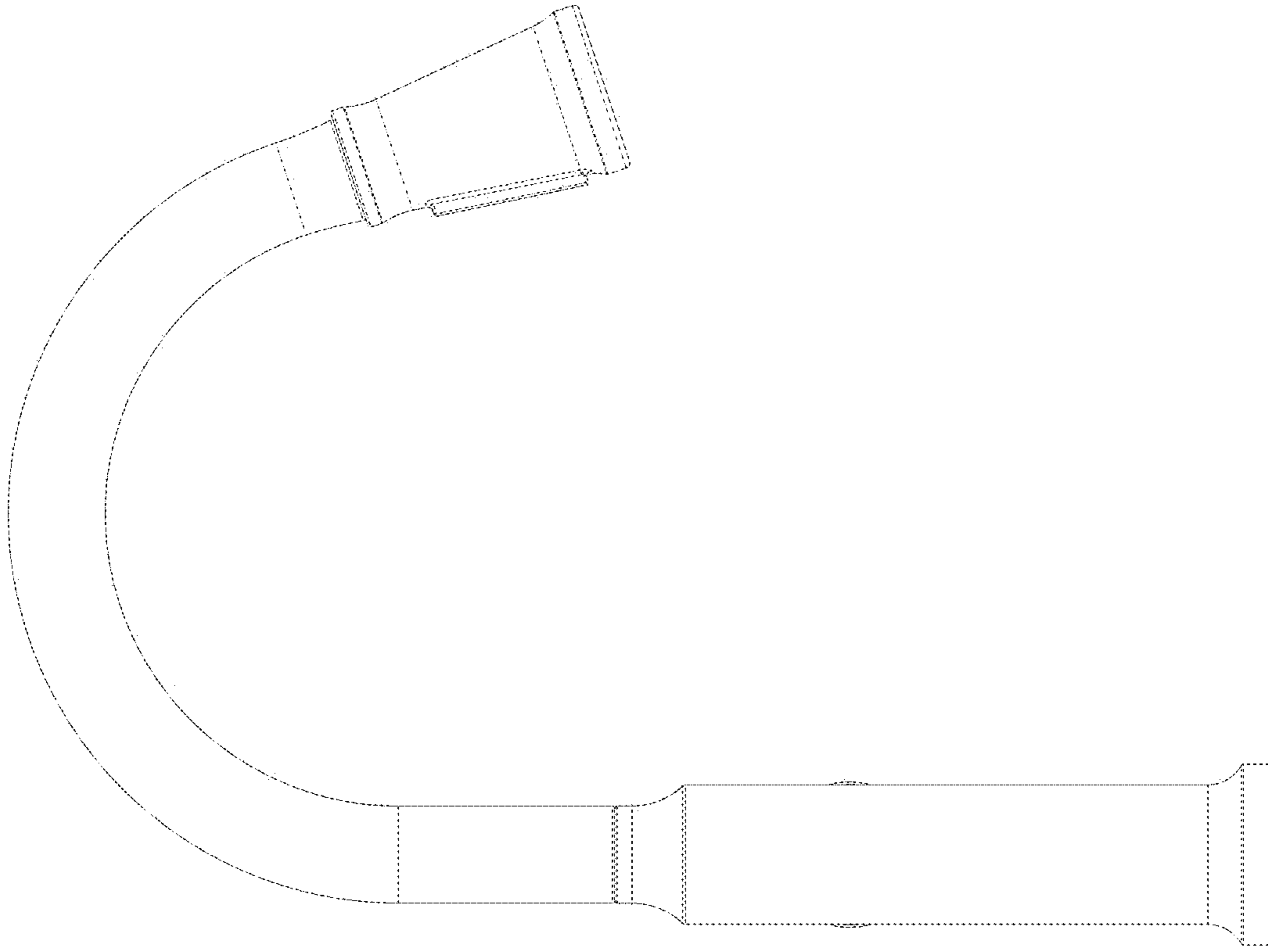


FIG - 6

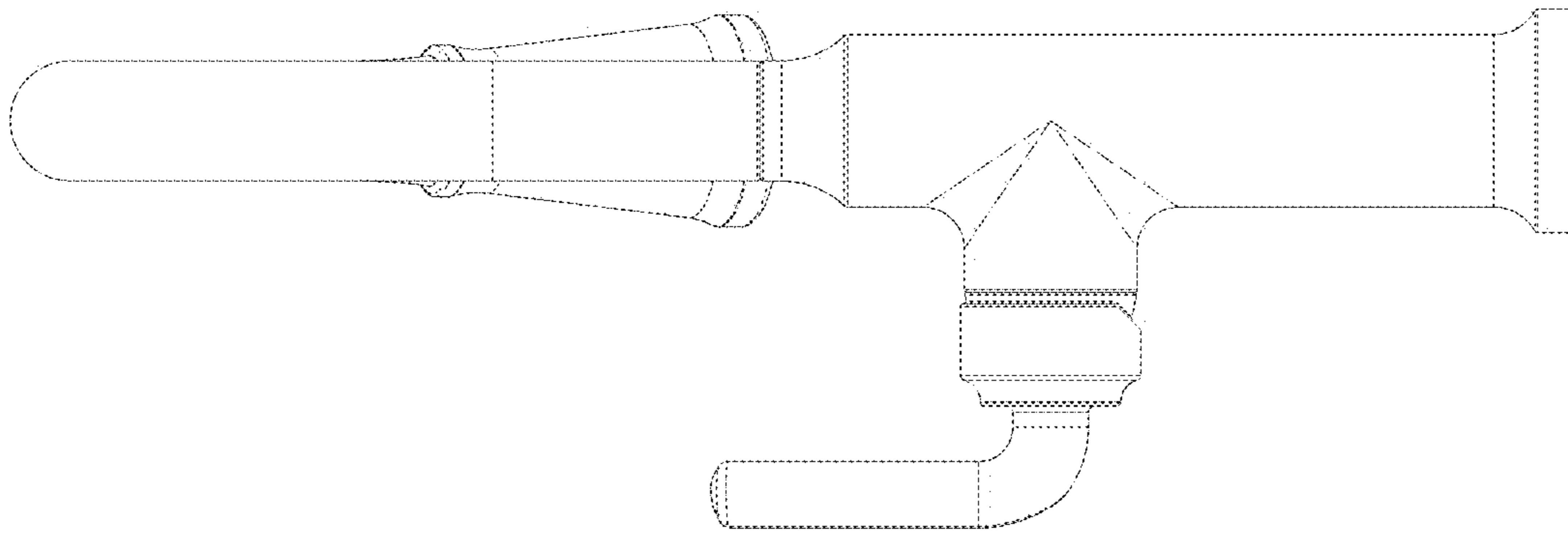


FIG - 5



FIG - 8

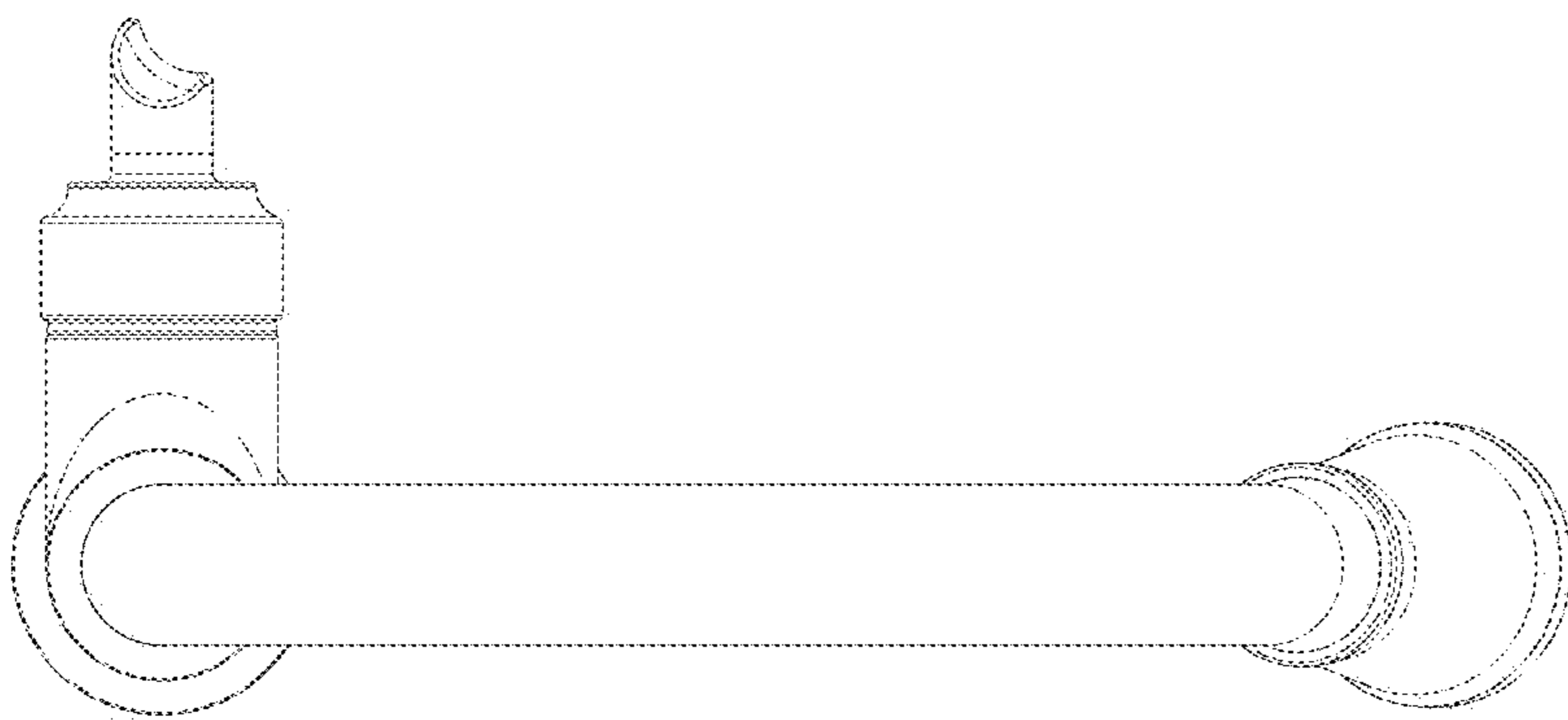


FIG - 7