



US00D953490S

(12) **United States Design Patent** (10) **Patent No.:** **US D953,490 S**  
**Funke** (45) **Date of Patent:** **\*\* May 31, 2022**

(54) **TAP**  
(71) Applicant: **BLANCO GmbH + Co KG**,  
Oberderdingen (DE)  
(72) Inventor: **Thomas Funke**, Eppingen (DE)  
(73) Assignee: **BLANCO GmbH + Co KG**,  
Oberderdingen (DE)

D605,260 S \* 12/2009 Allard ..... D23/255  
D651,284 S \* 12/2011 Flowers ..... D23/243  
D733,259 S \* 6/2015 Flowers ..... D23/238  
D767,722 S \* 9/2016 Rexach ..... D23/238  
D804,615 S \* 12/2017 Seum ..... D23/238  
D885,524 S \* 5/2020 Seum ..... D23/241

**FOREIGN PATENT DOCUMENTS**

CN 201530213479 \* 6/2015

(\*\*) Term: **15 Years**  
(21) Appl. No.: **29/738,750**  
(22) Filed: **Jun. 19, 2020**

**OTHER PUBLICATIONS**

Amazon, Hapilife Kitchen Sink Mixer, posted Dec. 19, 2019, [online], [visited Oct. 27, 2021]. Internet, <URL: <https://www.amazon.co.uk/dp/B07YTX6FZJ/ref>> (Year: 2019).\*

(30) **Foreign Application Priority Data**

Dec. 20, 2019 (EM) ..... 007439450-0003

(51) **LOC (13) Cl.** ..... **23-01**

(52) **U.S. Cl.**  
USPC ..... **D23/238**

(58) **Field of Classification Search**  
USPC ..... D23/257, 259, 234-241, 242-255  
CPC ..... Y10T 137/9464; E03C 1/00; E03C 1/02;  
E03C 1/04; E03C 1/0412; E03C 1/042;  
E03C 1/044; D03C 1/0402; D03C 1/0405  
See application file for complete search history.

\* cited by examiner

*Primary Examiner* — Samantha Wood  
(74) *Attorney, Agent, or Firm* — Hanley, Flight & Zimmerman, LLC

(57) **CLAIM**

The ornamental design for a tap, as shown and described.

**DESCRIPTION**

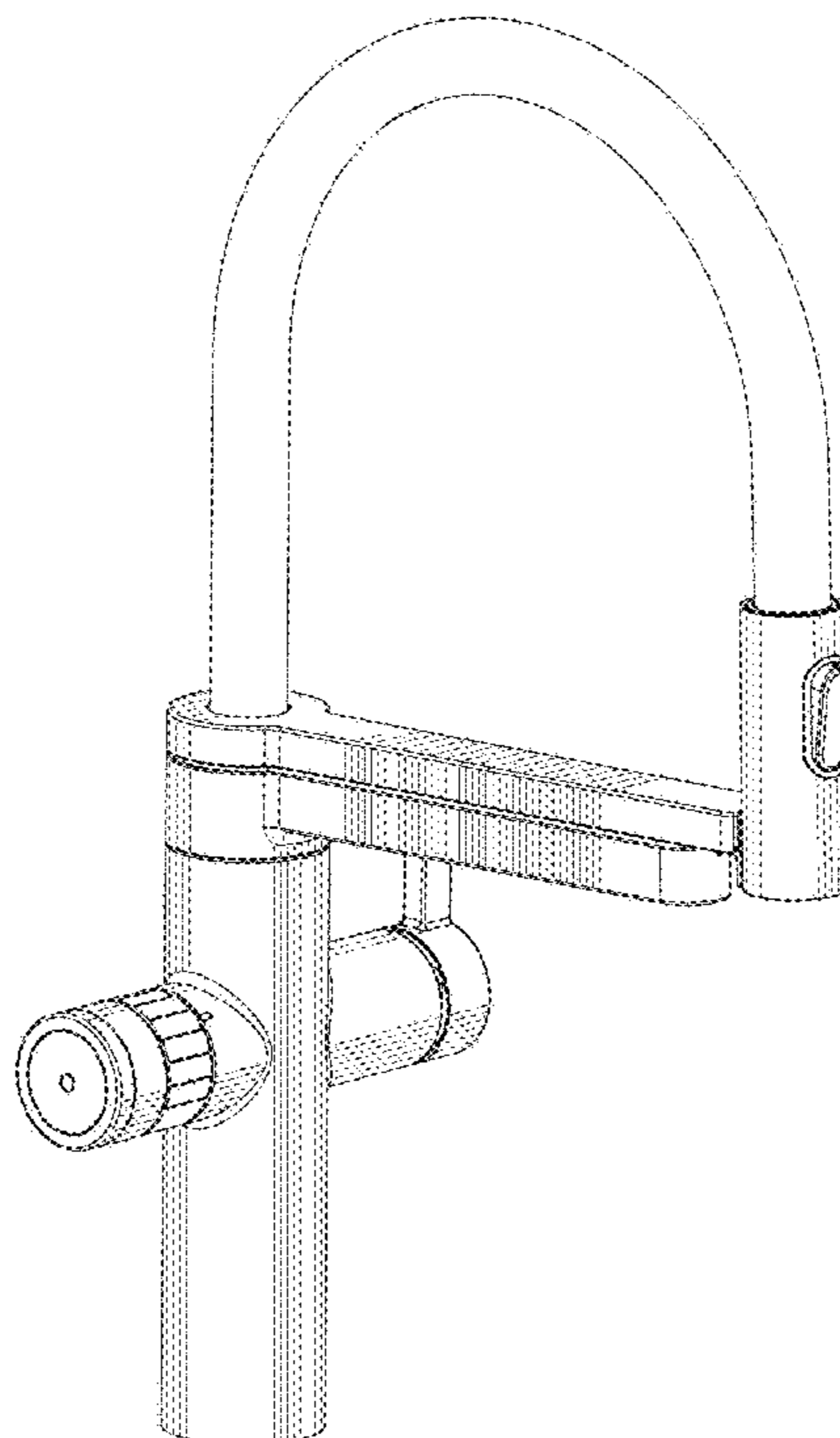
FIG. 1 is a perspective view of a tap.  
FIG. 2 is a top view of the tap of FIG. 1.  
FIG. 3 is a bottom view of the tap of FIG. 1.  
FIG. 4 is a front view of the tap of FIG. 1.  
FIG. 5 is a rear view of the tap of FIG. 1.  
FIG. 6 is a left side view of the tap of FIG. 1; and,  
FIG. 7 is a right side view of the tap of FIG. 1.  
The features shown in broken lines form no part of the claimed design.

(56) **References Cited**

**U.S. PATENT DOCUMENTS**

D469,157 S \* 1/2003 Lobermeier ..... D23/238  
D520,114 S \* 5/2006 Starck ..... D23/238  
D527,076 S \* 8/2006 Kolin ..... D23/241  
D589,594 S \* 3/2009 Lammel ..... D23/238

**1 Claim, 7 Drawing Sheets**



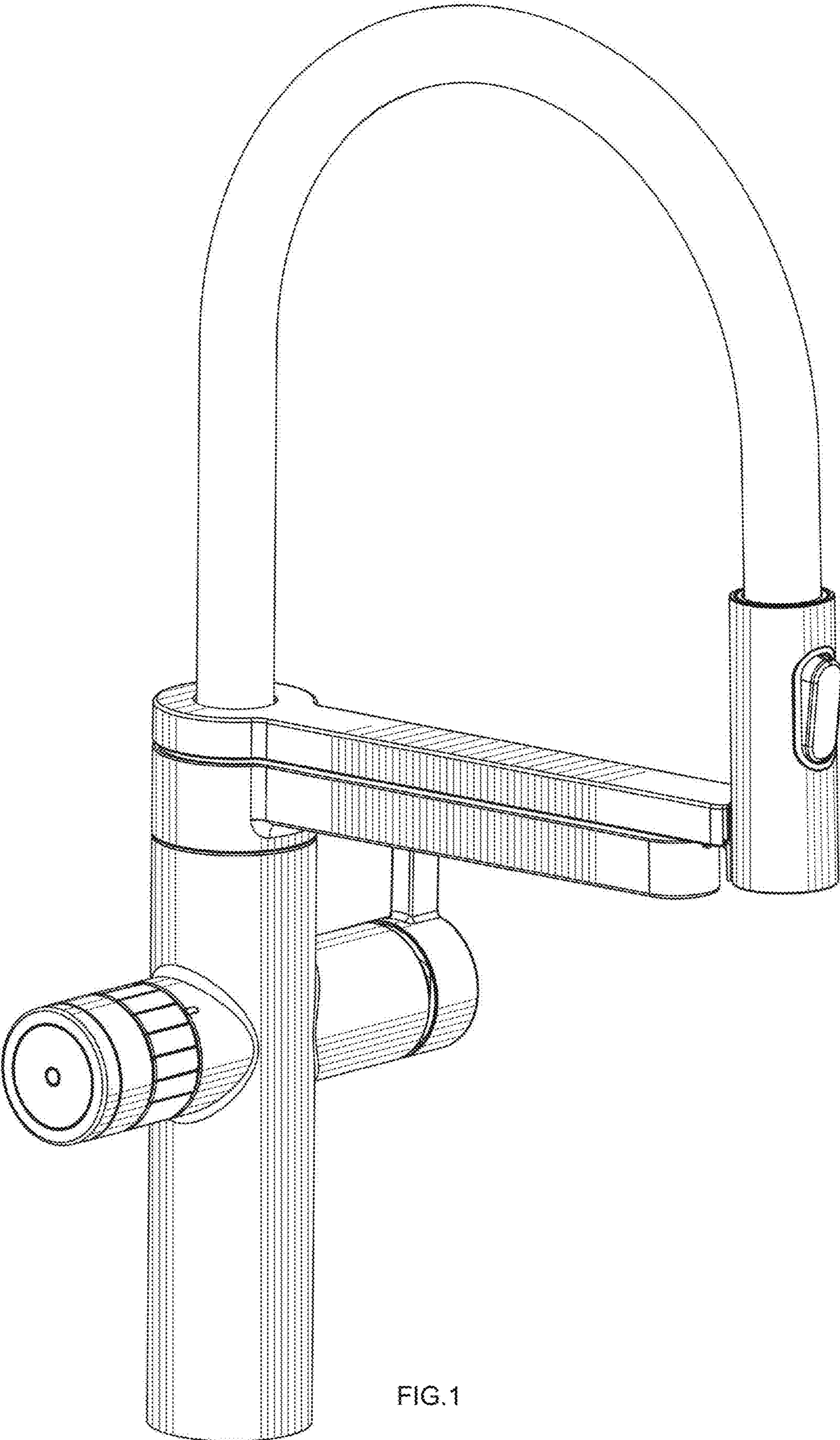


FIG.1

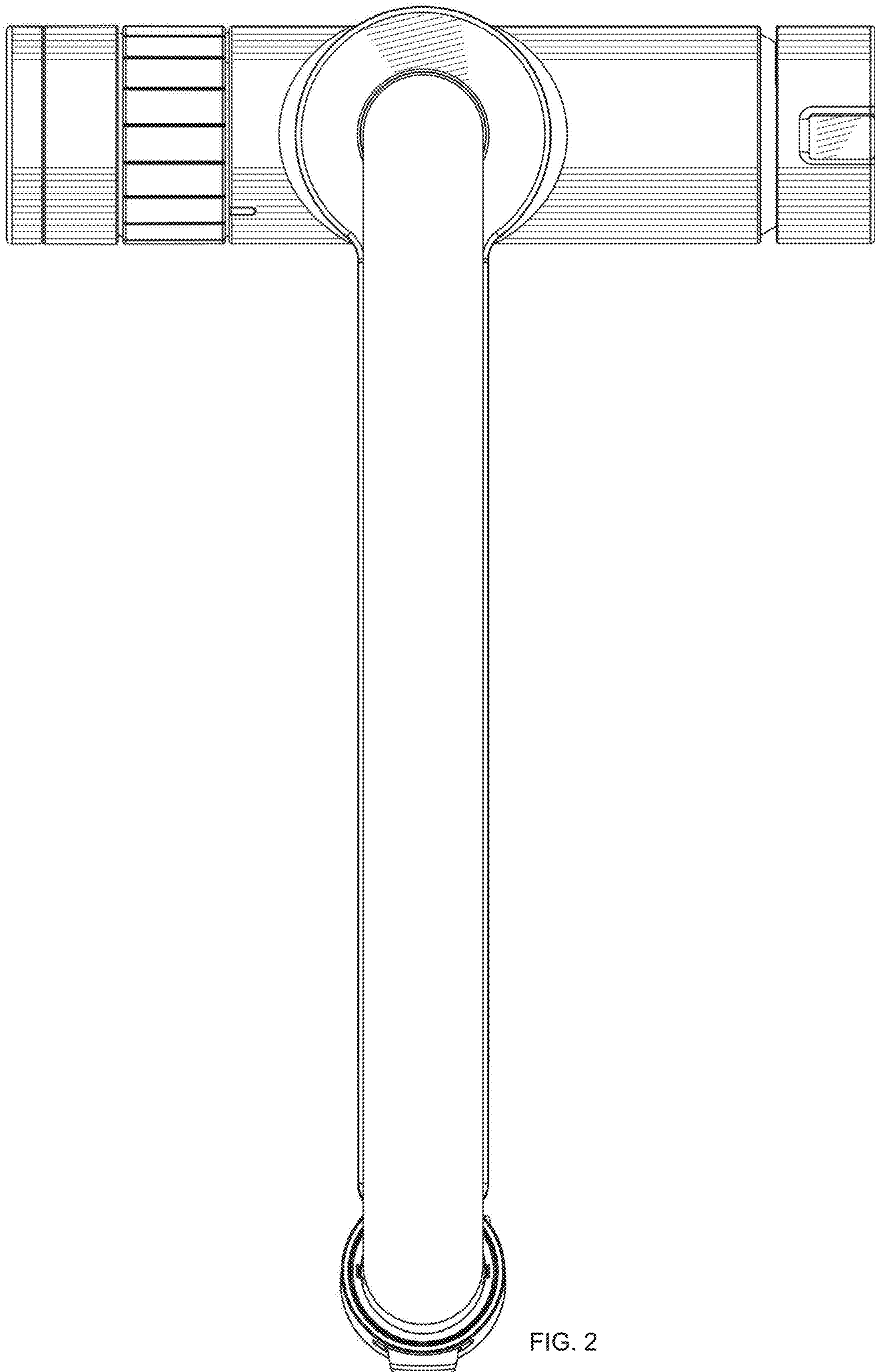


FIG. 2



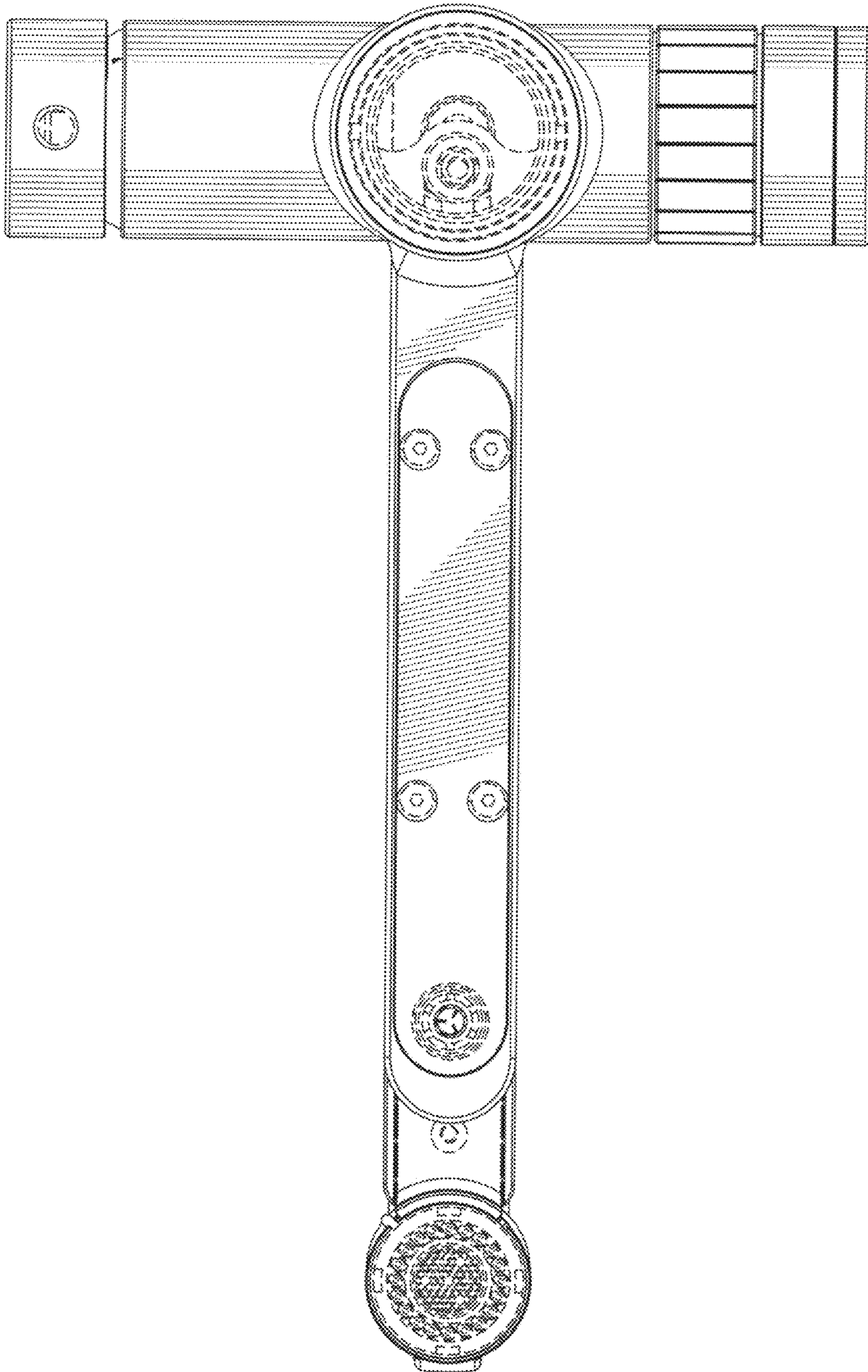


FIG. 3

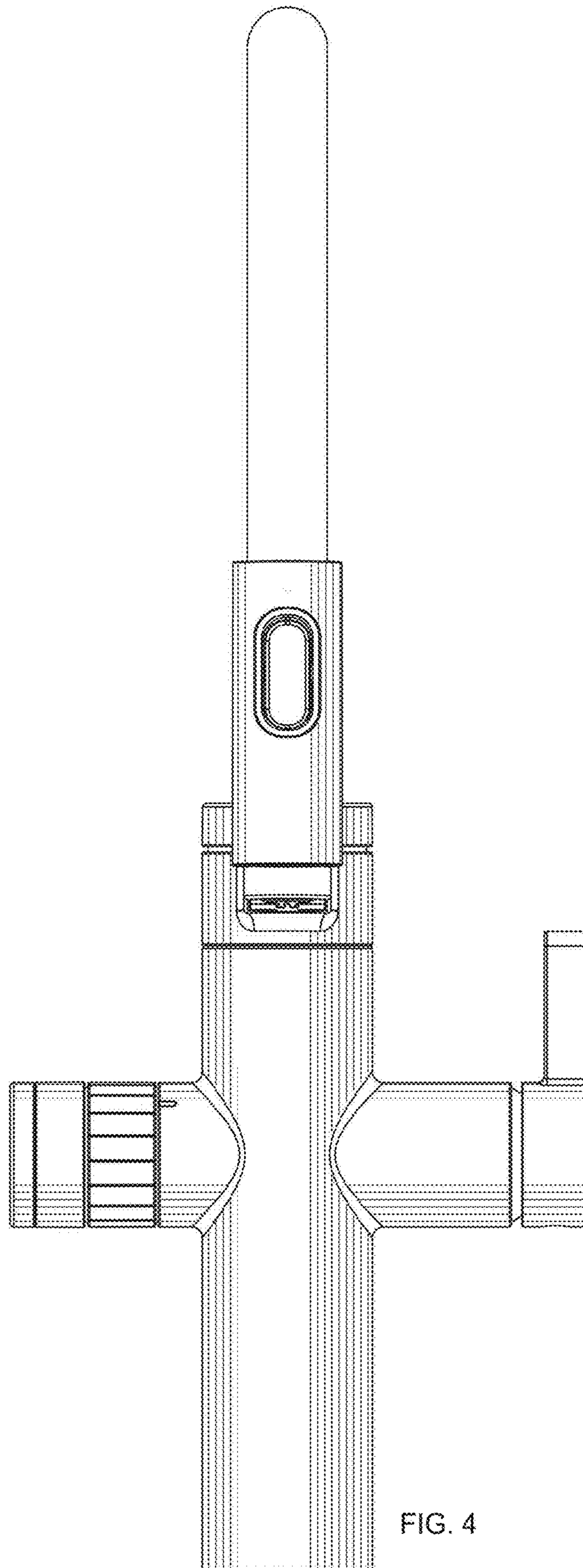


FIG. 4

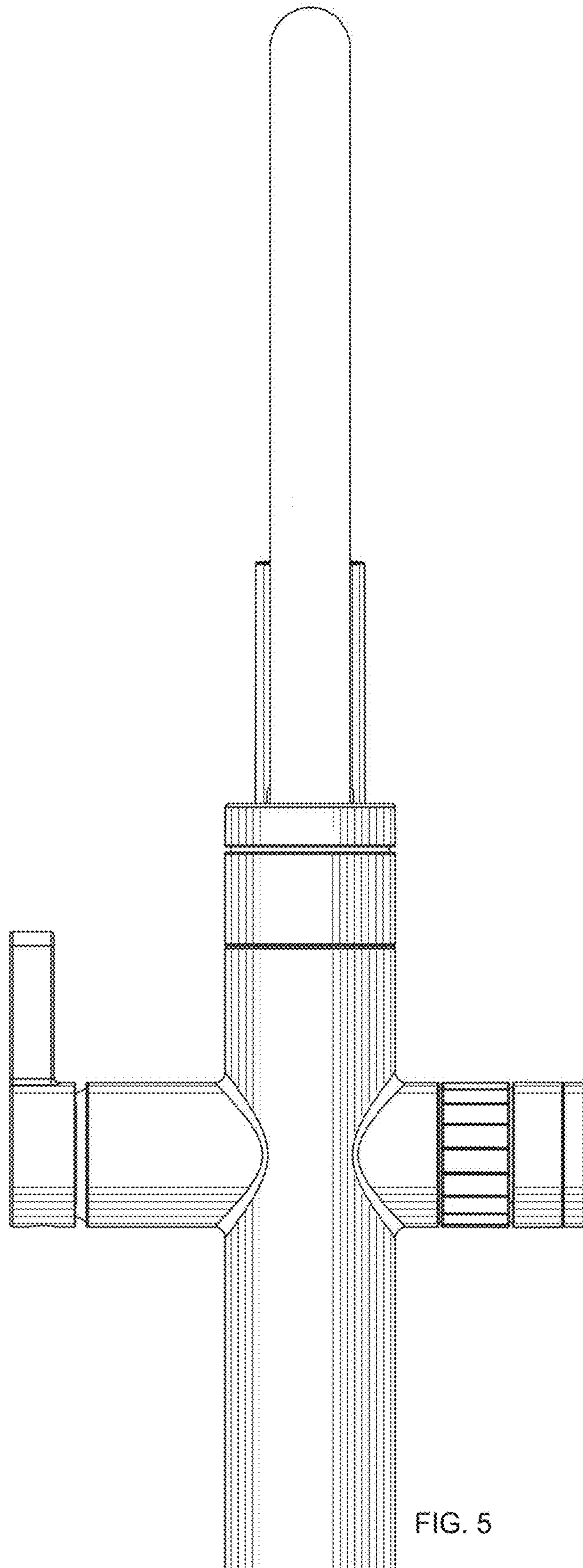


FIG. 5



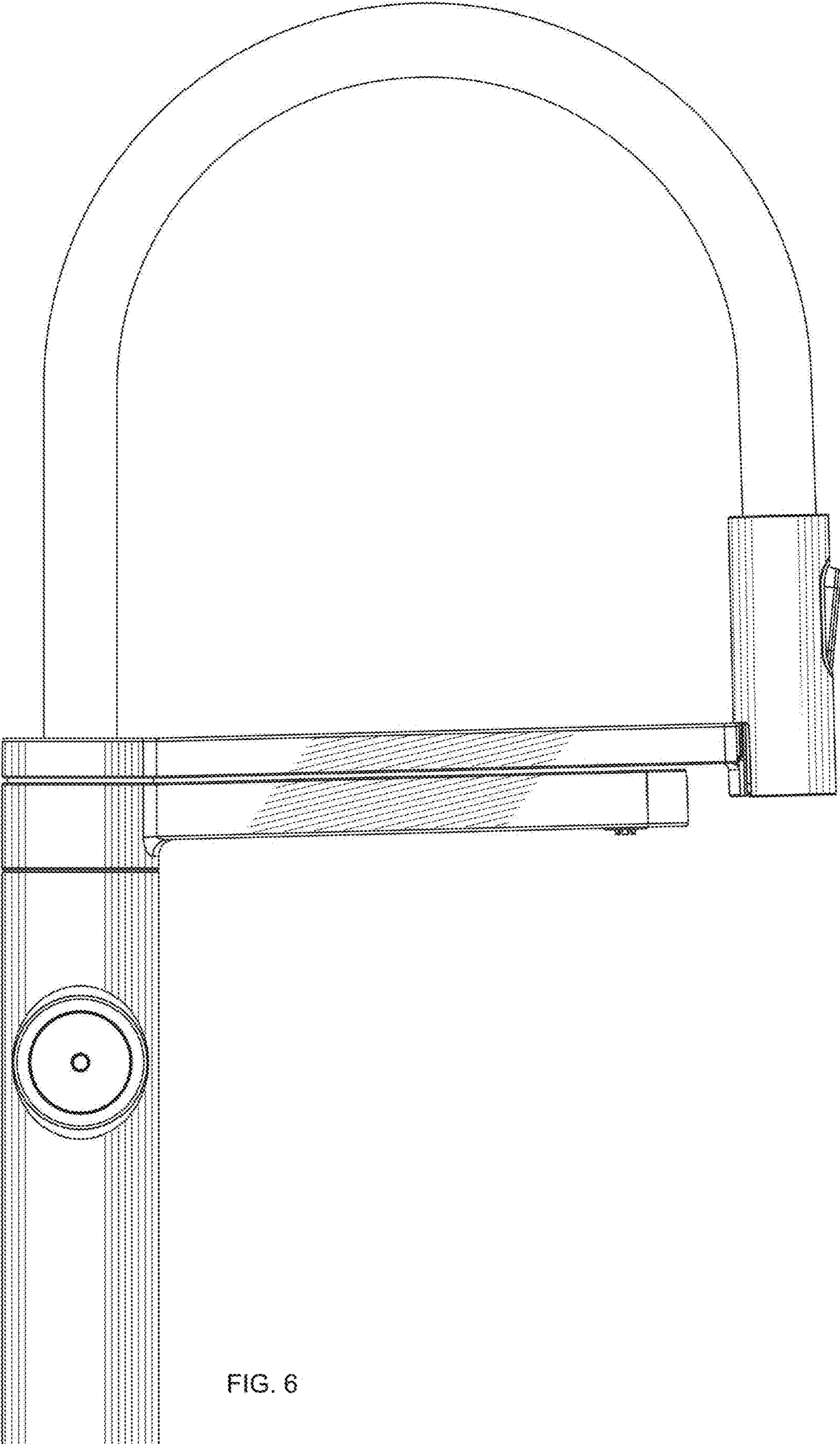


FIG. 6

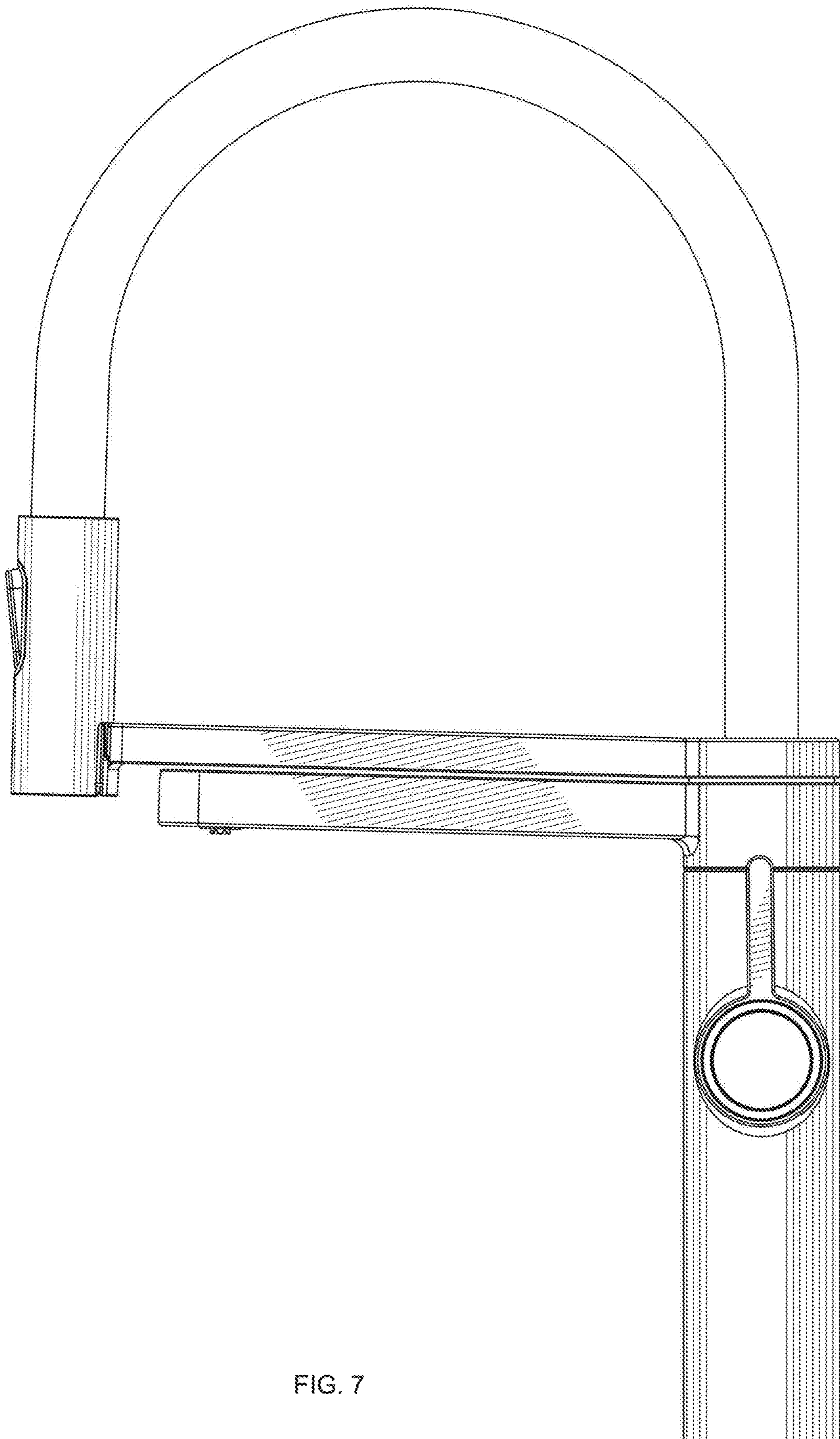


FIG. 7