



US00D953489S

(12) **United States Design Patent**  
**Funke**

(10) **Patent No.:** **US D953,489 S**

(45) **Date of Patent:** **\*\* May 31, 2022**

(54) **TAP**

(71) Applicant: **BLANCO GmbH + Co KG,**  
Oberderdingen (DE)

(72) Inventor: **Thomas Funke,** Eppingen (DE)

(73) Assignee: **BLANCO GmbH + Co KG,**  
Oberderdingen (DE)

(\*\*) Term: **15 Years**

(21) Appl. No.: **29/738,747**

(22) Filed: **Jun. 19, 2020**

(30) **Foreign Application Priority Data**

Dec. 20, 2019 (EM) ..... 007439450-0002

(51) **LOC (13) Cl.** ..... **23-01**

(52) **U.S. Cl.**  
USPC ..... **D23/238**

(58) **Field of Classification Search**

USPC ..... D23/257, 259, 234-241, 242-255

CPC ..... Y10T 137/9464; E03C 1/00; E03C 1/02;

E03C 1/04; E03C 1/0412; E03C 1/042;

E03C 1/044; D03C 1/0402; D03C 1/0405

See application file for complete search history.

(56) **References Cited**

**U.S. PATENT DOCUMENTS**

D520,114 S	*	5/2006	Starck	.....	D23/238
D527,076 S	*	8/2006	Kolin	.....	D23/241
D587,343 S	*	2/2009	Nobili	.....	D23/213
D589,594 S	*	3/2009	Lammel	.....	D23/238
D605,260 S	*	12/2009	Allard	.....	D23/255

D651,284 S	*	12/2011	Flowers	.....	D23/243
D733,259 S	*	6/2015	Flowers	.....	D23/238
D767,722 S	*	9/2016	Rexach	.....	D23/238
9,551,136 B2	*	1/2017	Keiter	.....	E03C 1/0404
D802,720 S	*	11/2017	Haug	.....	D23/238
D804,615 S	*	12/2017	Seum	.....	D23/238
D861,832 S	*	10/2019	Zeng	.....	D23/238
D885,524 S	*	5/2020	Seum	.....	D23/241

**FOREIGN PATENT DOCUMENTS**

CN	201930243643.2	*	5/2019
CN	201930270393.1	*	5/2019
CN	201930420224.1	*	8/2019
CN	201930470104.2	*	8/2019

\* cited by examiner

*Primary Examiner* — Samantha Wood

(74) *Attorney, Agent, or Firm* — Hanley, Flight & Zimmerman, LLC

(57) **CLAIM**

The ornamental design for a tap, as shown and described.

**DESCRIPTION**

FIG. 1 is a perspective view of a tap.

FIG. 2 is a top view of the tap of FIG. 1.

FIG. 3 is a bottom view of the tap of FIG. 1.

FIG. 4 is a front view of the tap of FIG. 1.

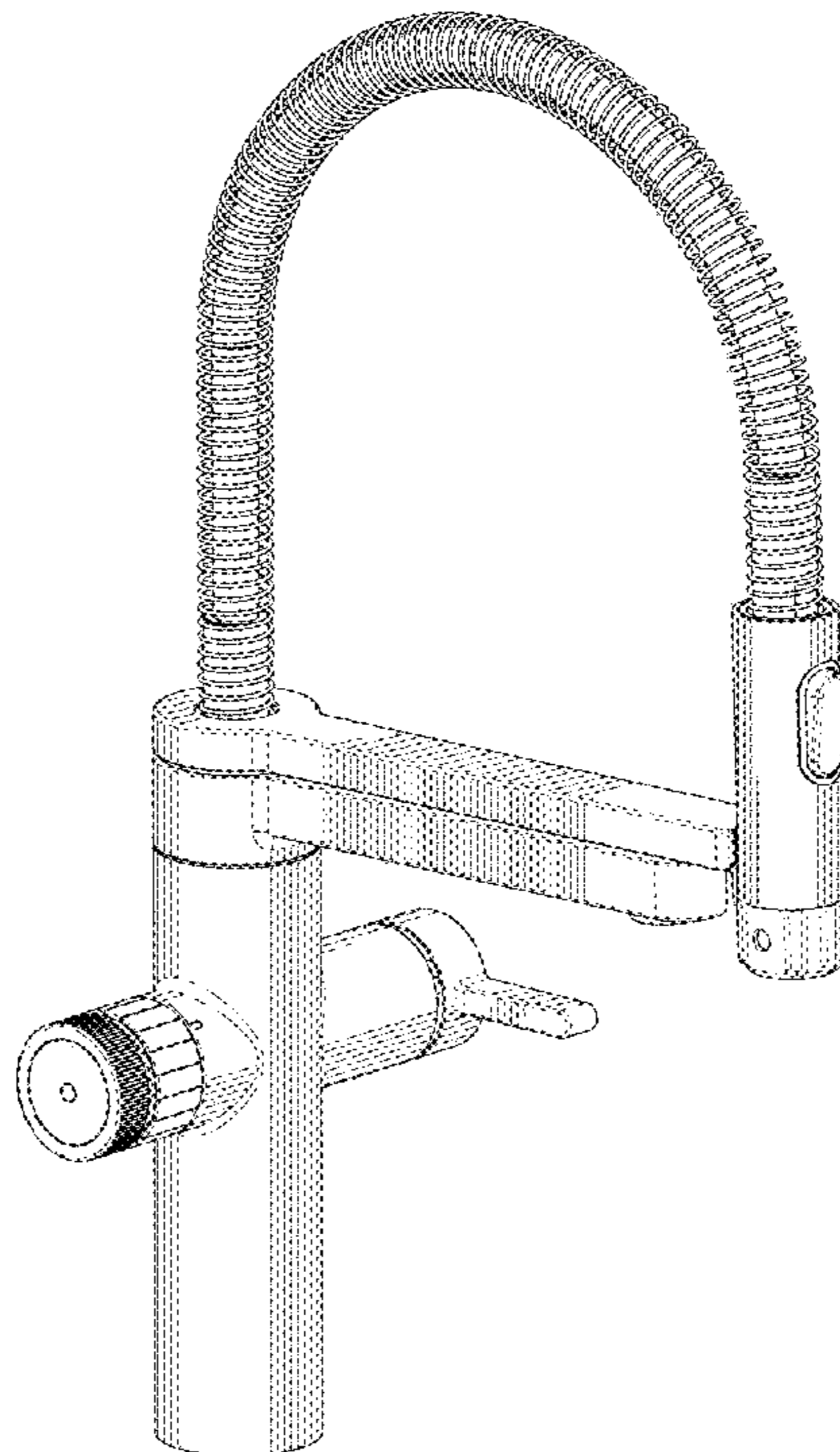
FIG. 5 is a rear view of the tap of FIG. 1.

FIG. 6 is a left side view of the tap of FIG. 1; and,

FIG. 7 is a right side view of the tap of FIG. 1.

The features shown in broken lines form no part of the claimed design.

**1 Claim, 7 Drawing Sheets**



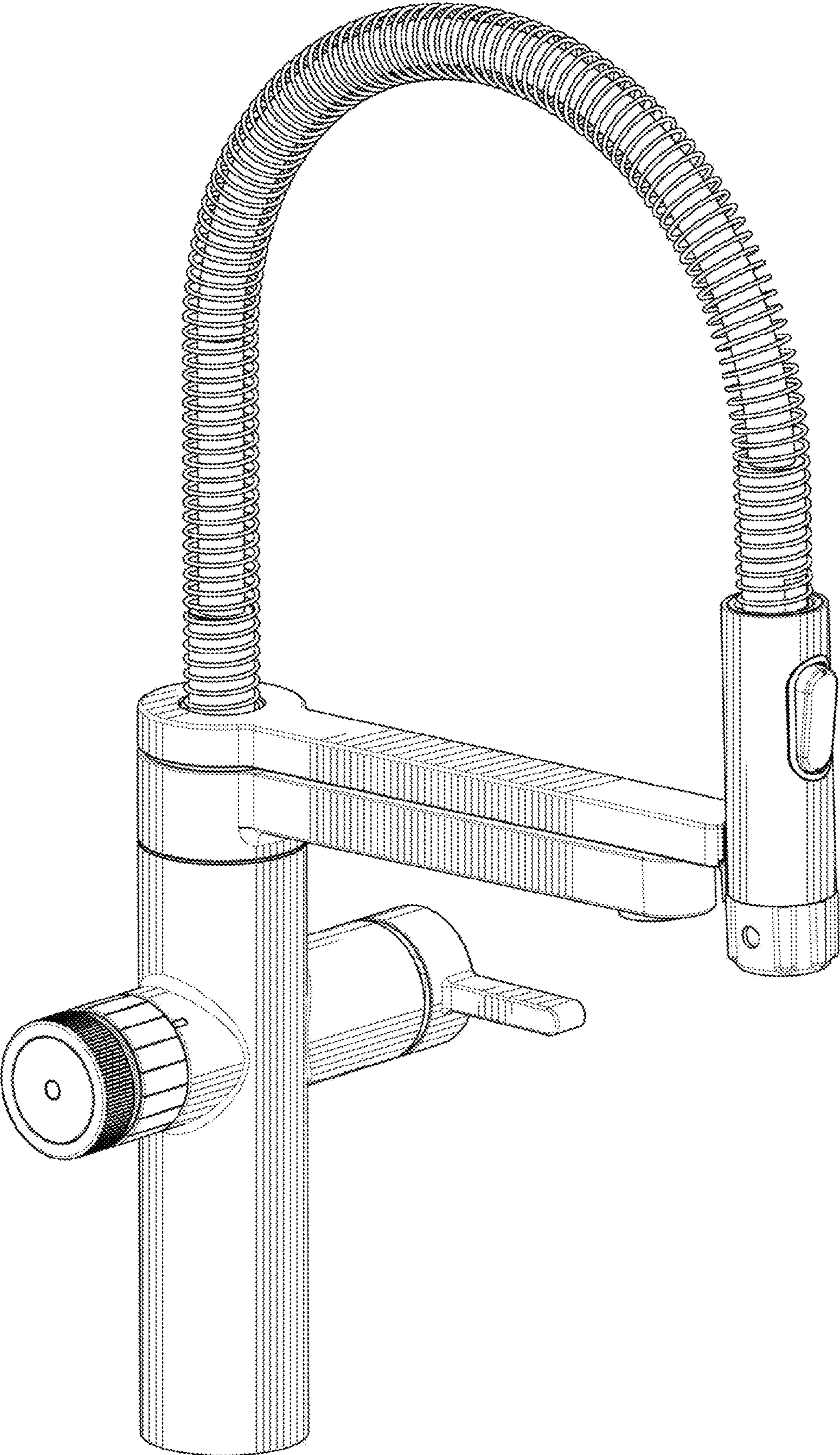


FIG. 1

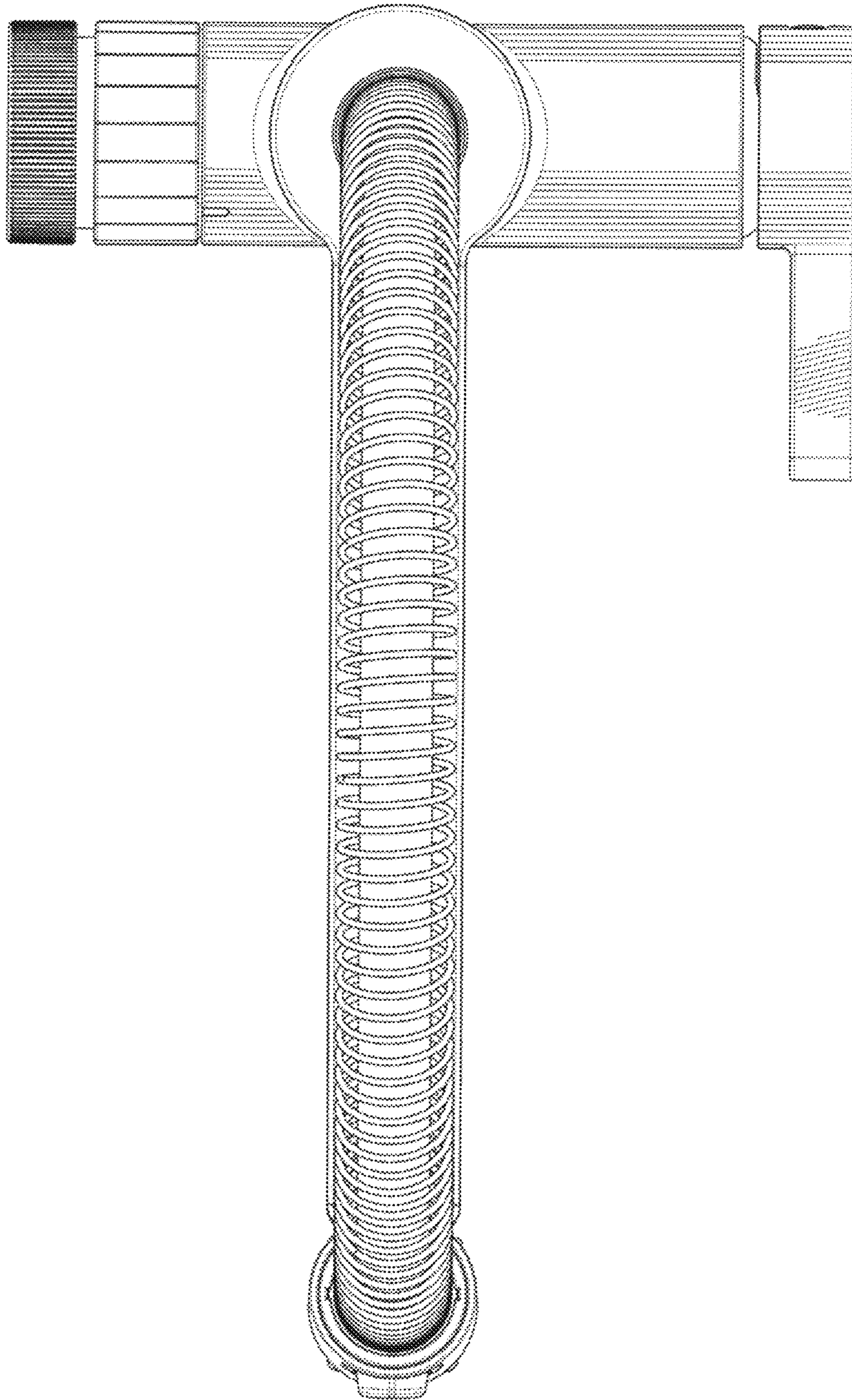


FIG. 2

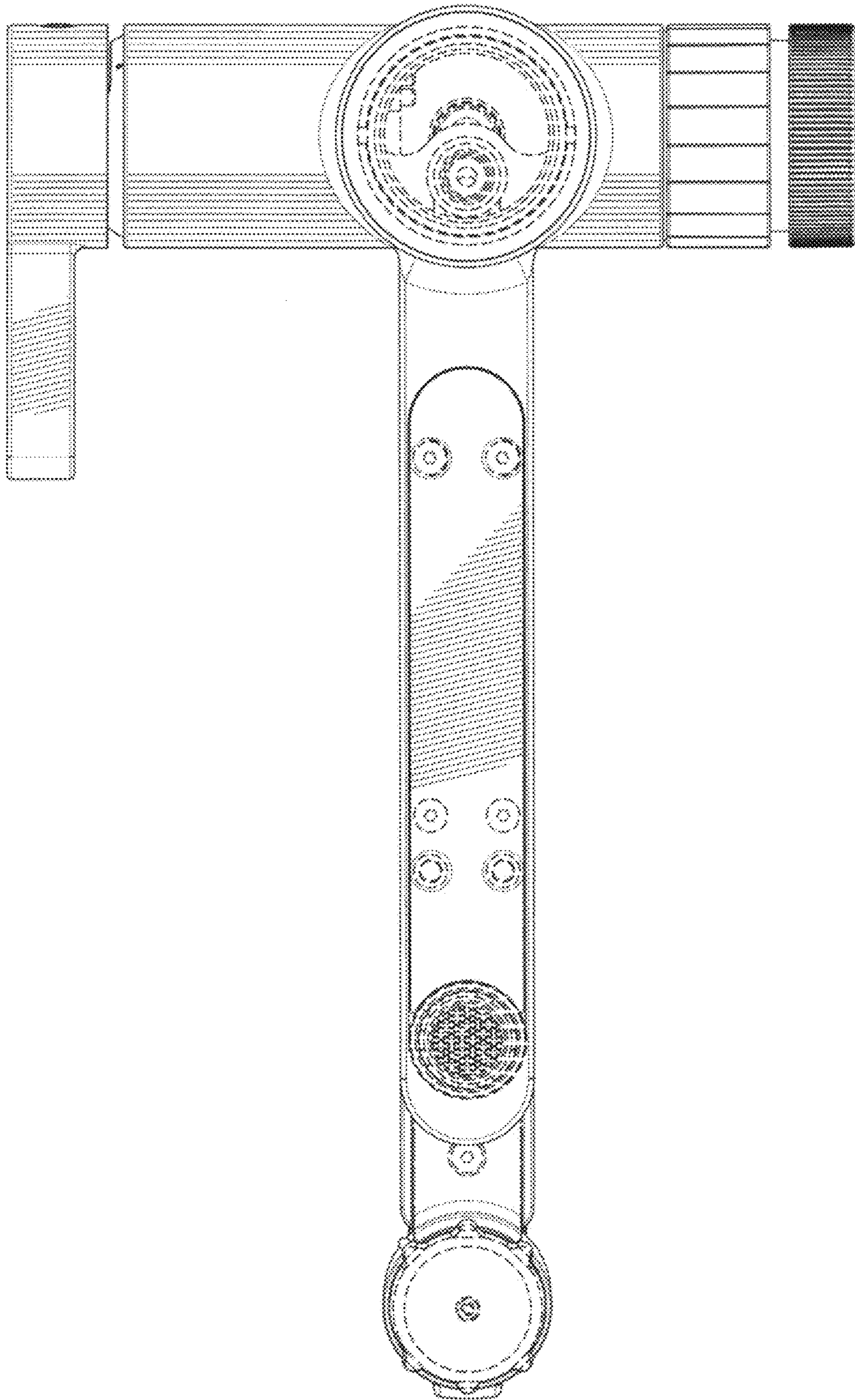


FIG. 3

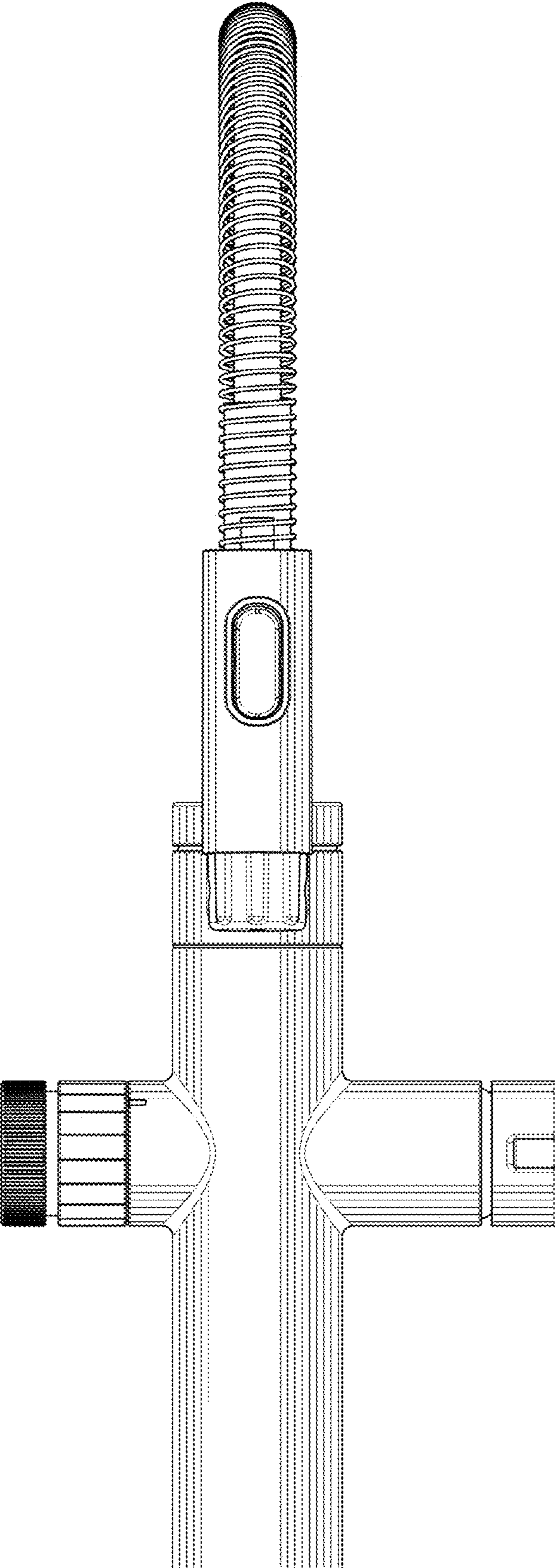


FIG. 4

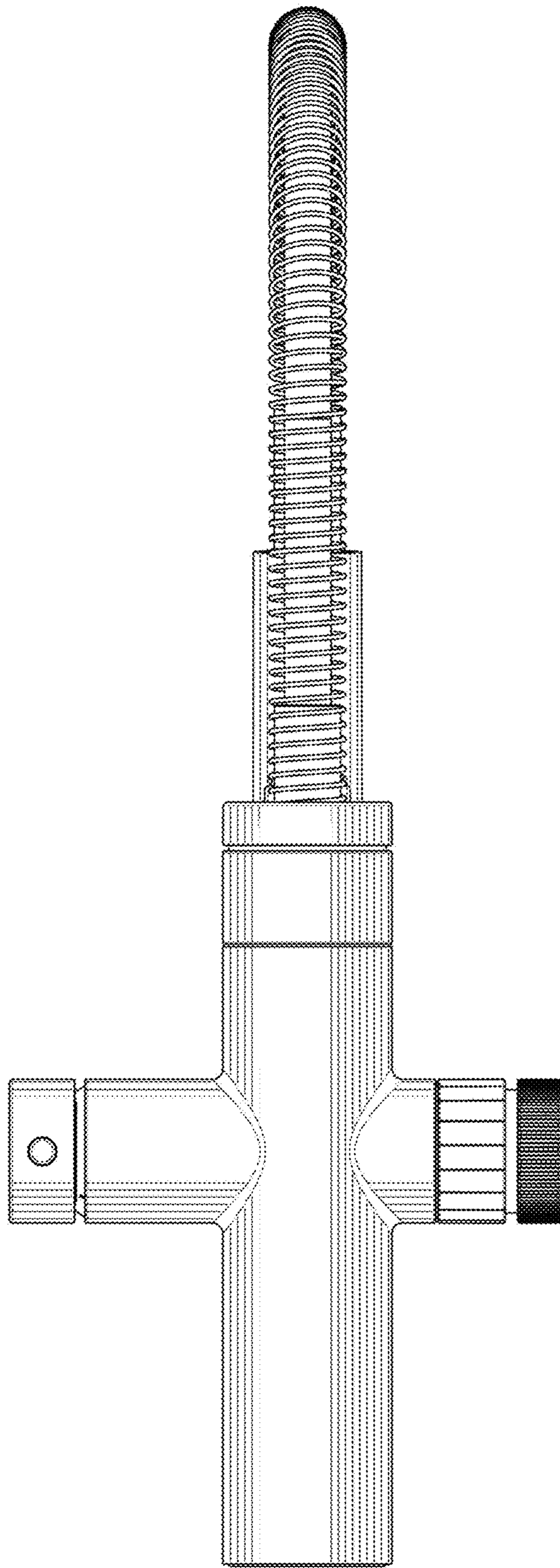


FIG. 5

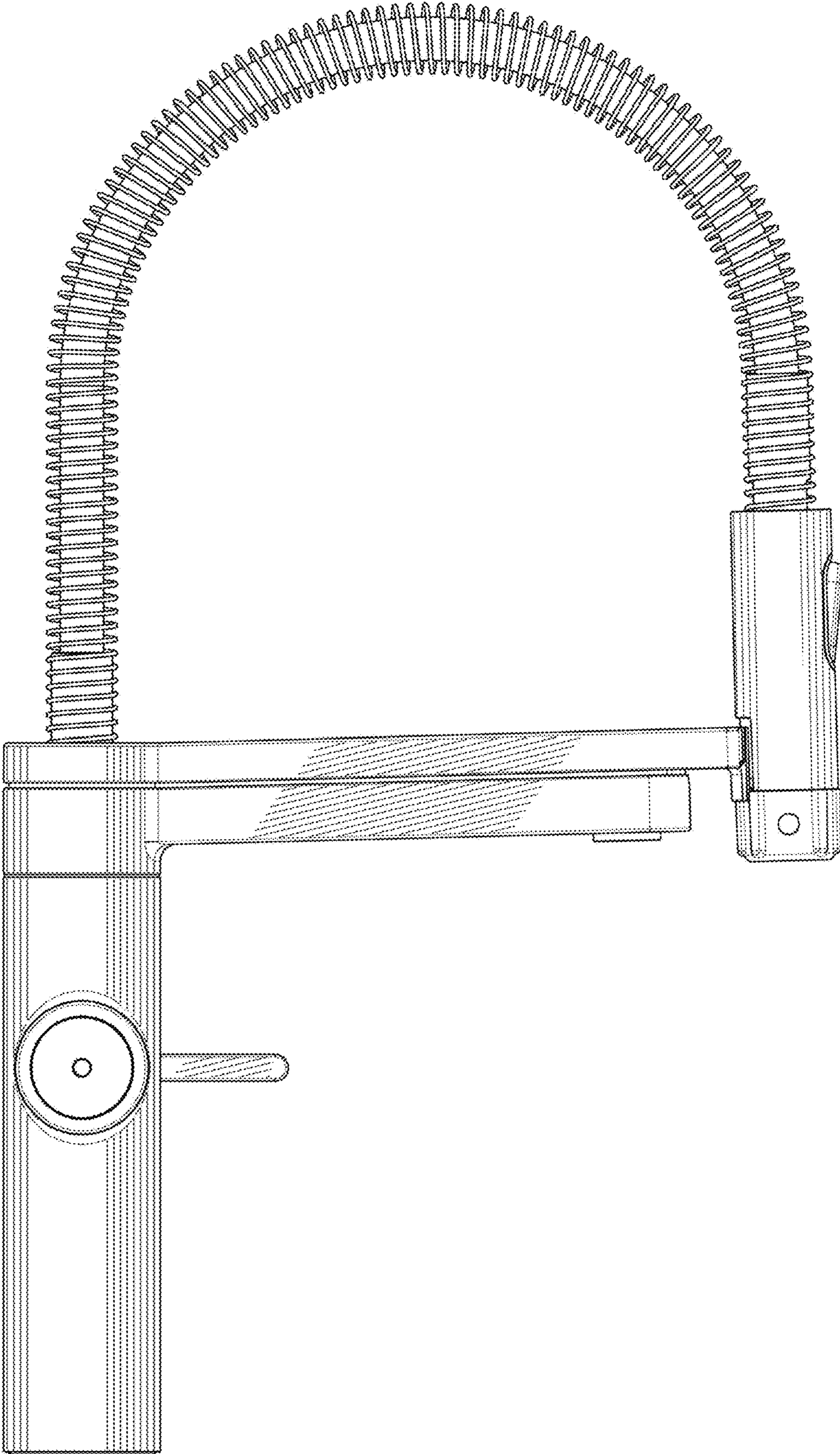


FIG. 6

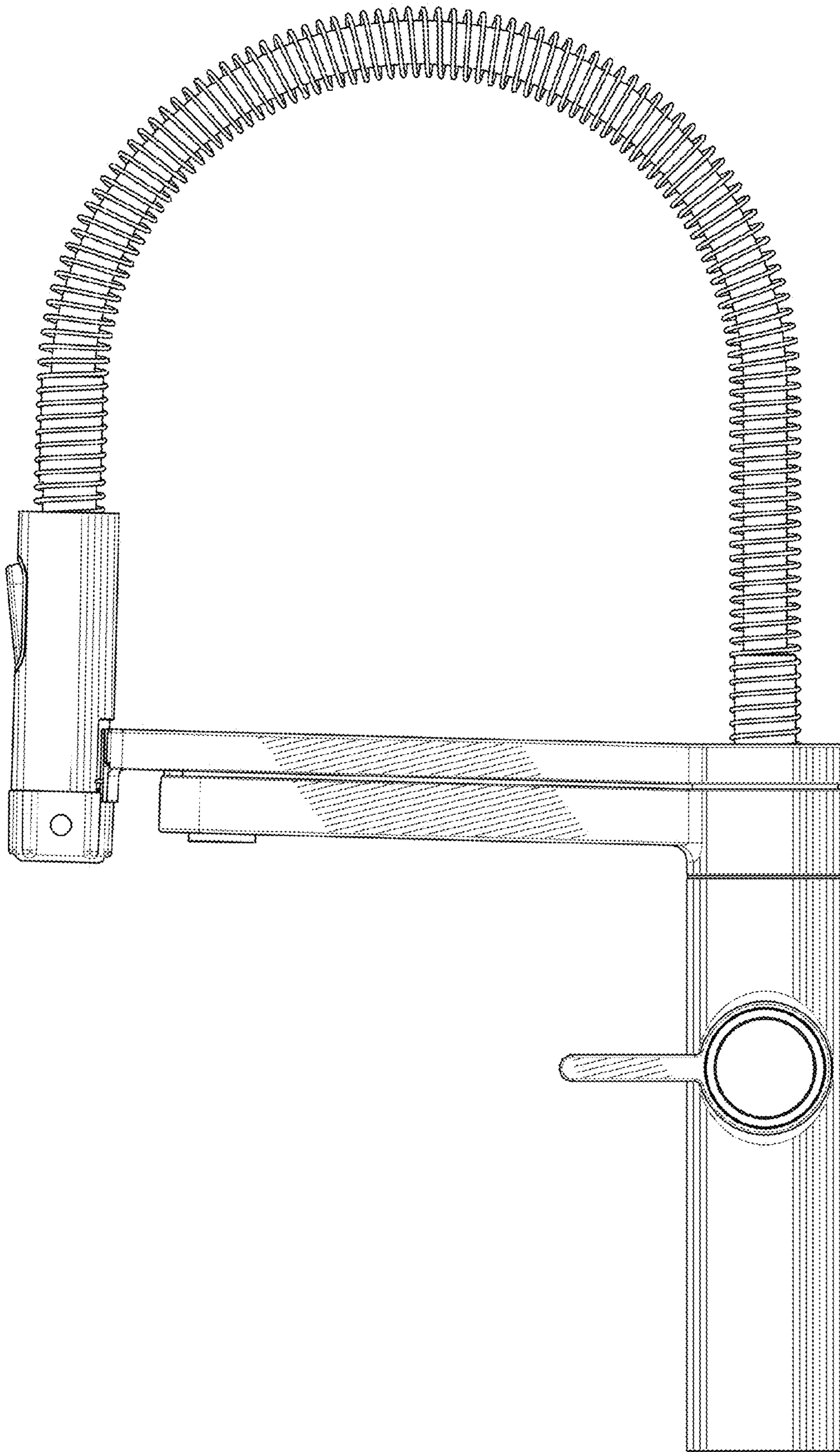


FIG. 7