



US00D953488S

(12) **United States Design Patent** (10) **Patent No.:** **US D953,488 S**
Bahler et al. (45) **Date of Patent:** **** May 31, 2022**

(54) **FAUCET**
(71) Applicant: **DELTA FAUCET COMPANY**,
Indianapolis, IN (US)
(72) Inventors: **Jordan Bahler**, Frankfort, IN (US);
Benjamin Stoler, Carmel, IN (US)
(73) Assignee: **DELTA FAUCET COMPANY**,
Indianapolis, IN (US)
(**) Term: **15 Years**
(21) Appl. No.: **29/731,656**
(22) Filed: **Apr. 16, 2020**
(51) **LOC (13) Cl.** **23-01**
(52) **U.S. Cl.**
USPC **D23/238**
(58) **Field of Classification Search**
USPC D23/257, 249, 254, 259, 255, 233, 234,
D23/235, 236, 237, 238, 240, 241, 242,
D23/243, 244, 245, 246, 247, 248, 250,
D23/251, 252, 253, 256
CPC E03C 1/01; E03C 1/0409; E03C 1/025;
E03C 1/0408; E03C 1/04; E03C 1/0401;
E03C 1/0402; E03C 1/0405; E03C
1/0412; Y10T 137/5339; Y10T 137/6014;
Y10T 137/6021
See application file for complete search history.

D686,300 S * 7/2013 Fritz D23/238
D747,442 S * 1/2016 Mazz D23/238
D825,720 S * 8/2018 Zeng D23/238
D871,547 S * 12/2019 Eads D23/238

FOREIGN PATENT DOCUMENTS

CN 201930291861.3 * 6/2019
CN 201930532229.3 * 9/2019

OTHER PUBLICATIONS

Amazon, Heable Kitchen Sink Mixer Tap, posted Apr. 7, 2018,
[online], [visited Sep. 3, 2021]. Internet, <URL: <https://www.amazon.co.uk/Kitchen-Heable-Faucets-Standard-Fittings/dp/B07CBRV2TK/ref>> (Year: 2018).*

* cited by examiner

Primary Examiner — Samantha Wood
(74) *Attorney, Agent, or Firm* — Nirav D. Parikh; Edgar
A. Zarins

(57) **CLAIM**

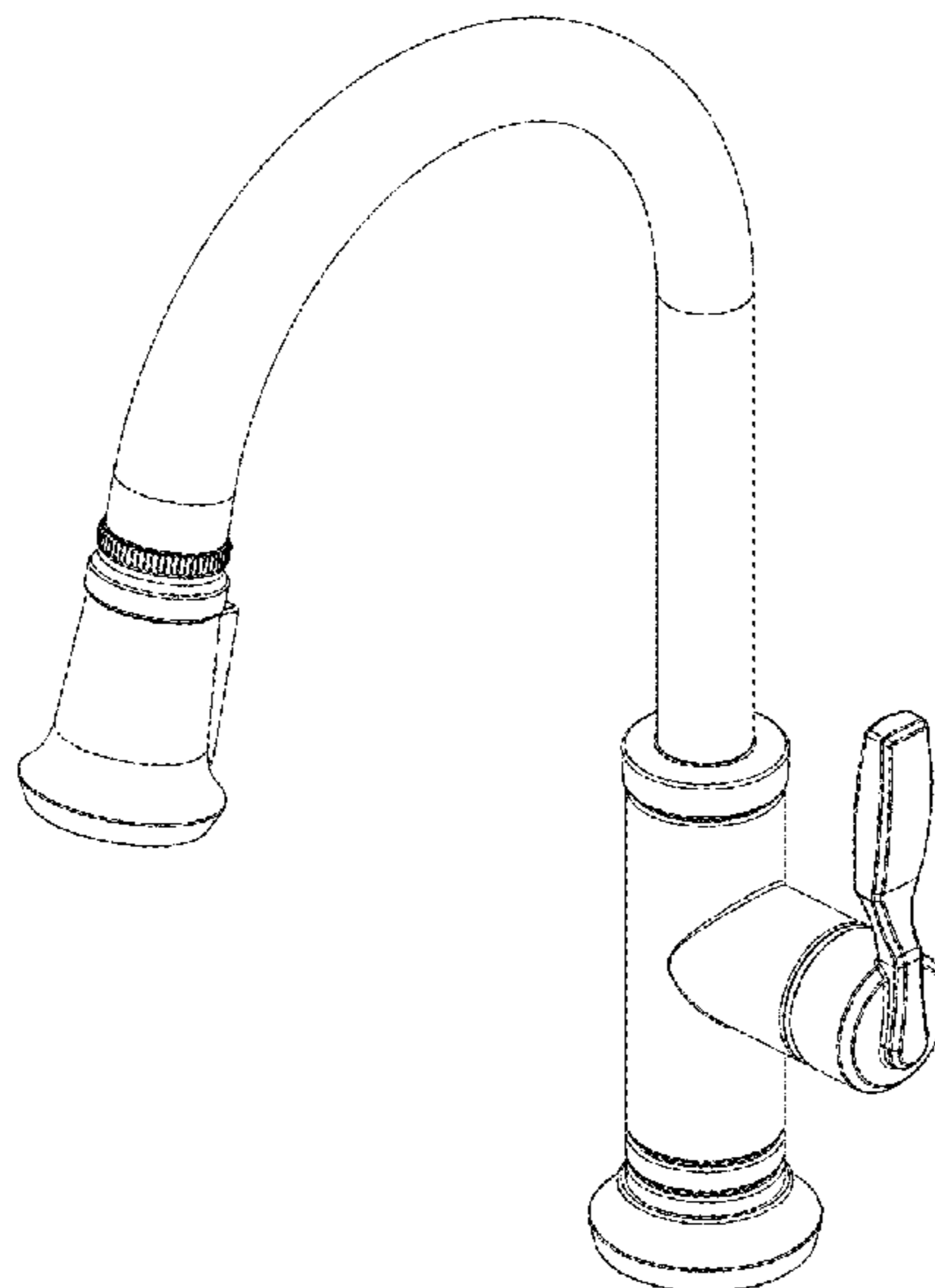
The ornamental design for a faucet, as shown and described.

DESCRIPTION

FIG. 1 is a front perspective view of a faucet showing my
new design;
FIG. 2 is a rear perspective view thereof;
FIG. 3 is a front elevational view thereof;
FIG. 4 is a left side view thereof;
FIG. 5 is a rear view thereof;
FIG. 6 is a right side view thereof;
FIG. 7 is a top plan view thereof; and,
FIG. 8 is a bottom view thereof.
The broken lines are included for the purpose of illustrating
portions of the faucet and form no part of the claimed design.

1 Claim, 4 Drawing Sheets

(56) **References Cited**
U.S. PATENT DOCUMENTS
D287,164 S * 12/1986 Piesco D23/252
D320,335 S * 10/1991 Bengtson D8/308
D458,349 S * 6/2002 Mullenmeister D23/250
D521,116 S * 5/2006 Hoernig D23/252
D521,607 S * 5/2006 Blomstrom D23/252
D522,627 S * 6/2006 Schaffeld D23/252
D594,934 S * 6/2009 Vu D23/238
D654,568 S * 2/2012 Yu D23/238



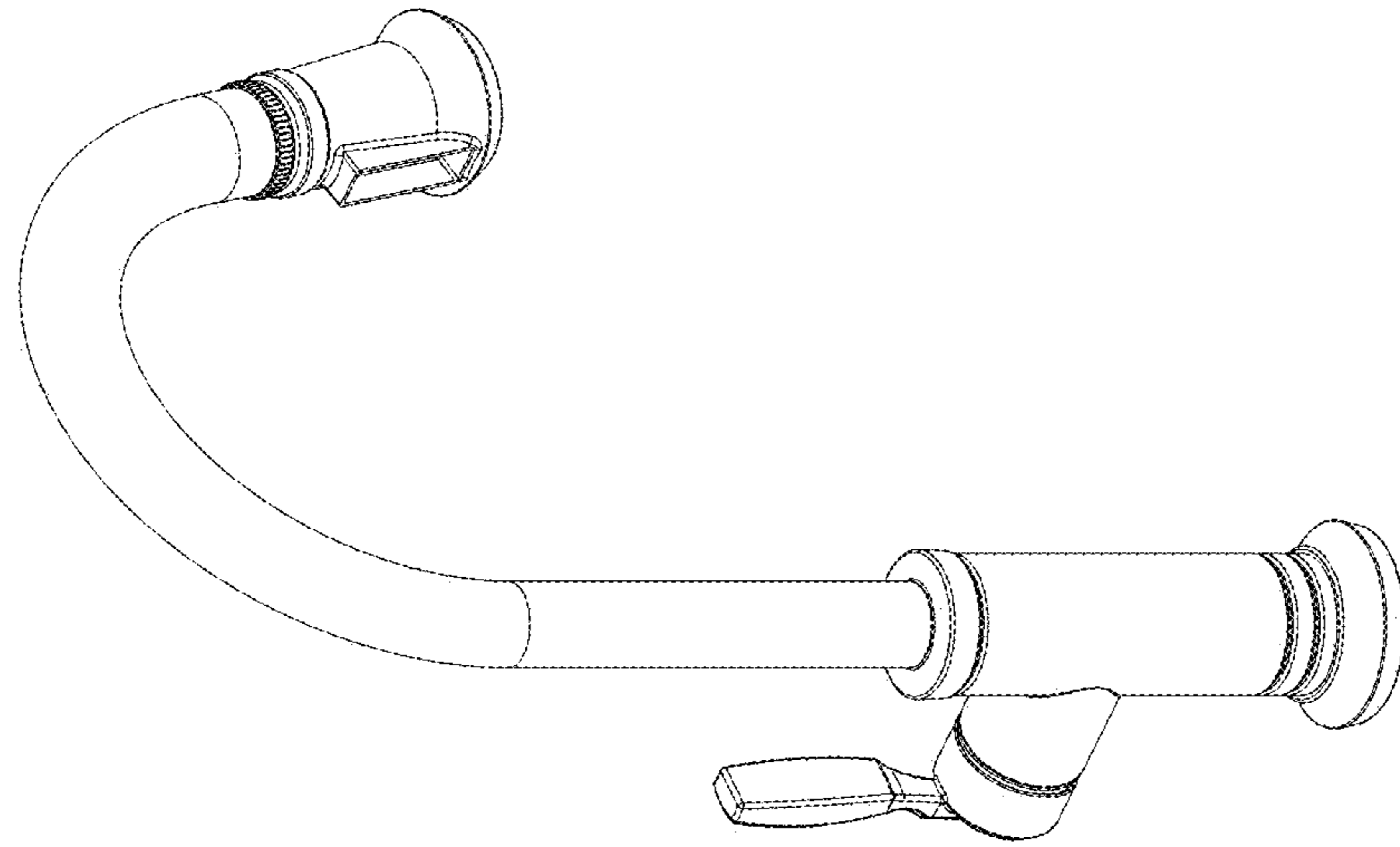


FIG - 1

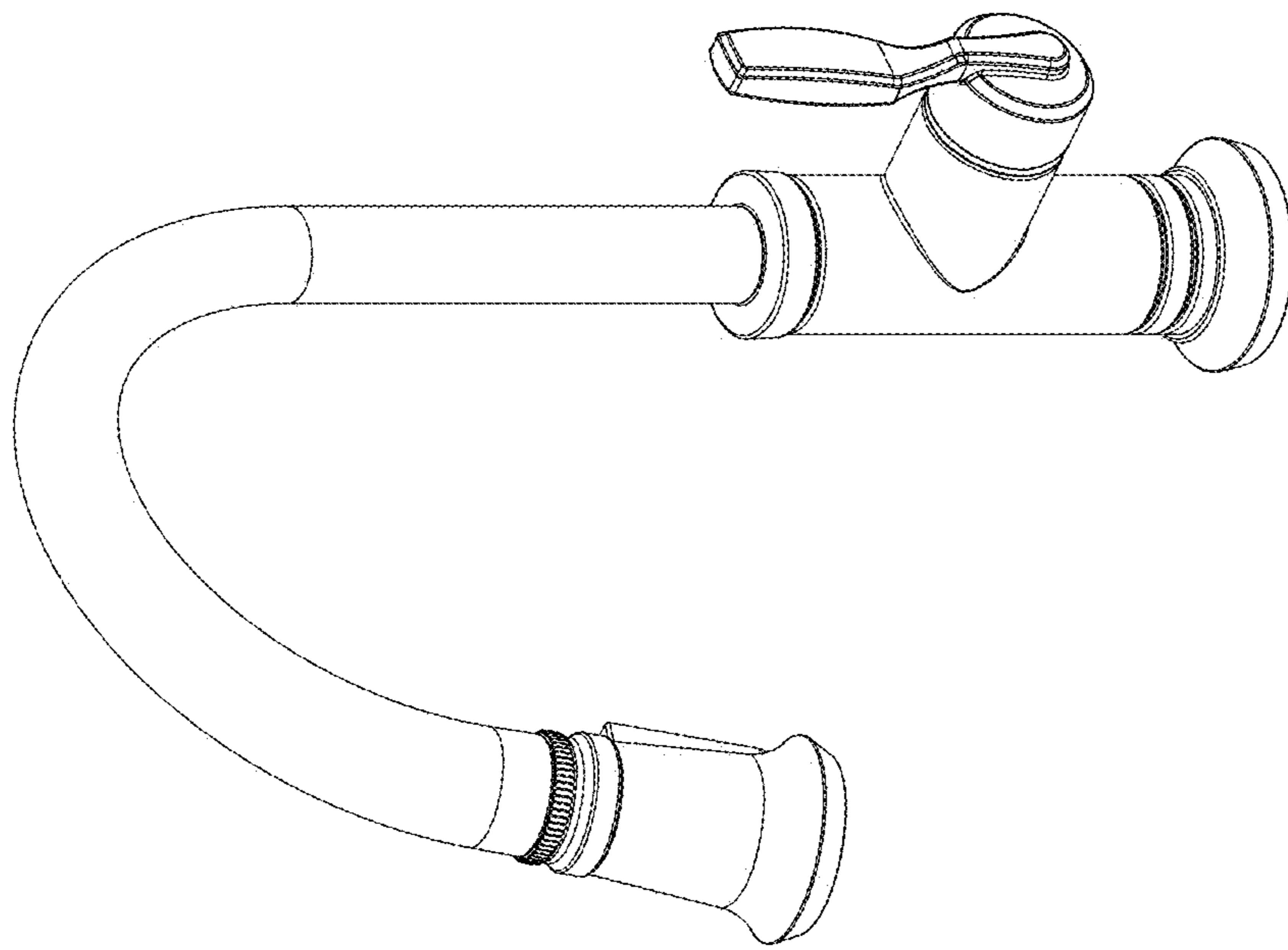


FIG - 2

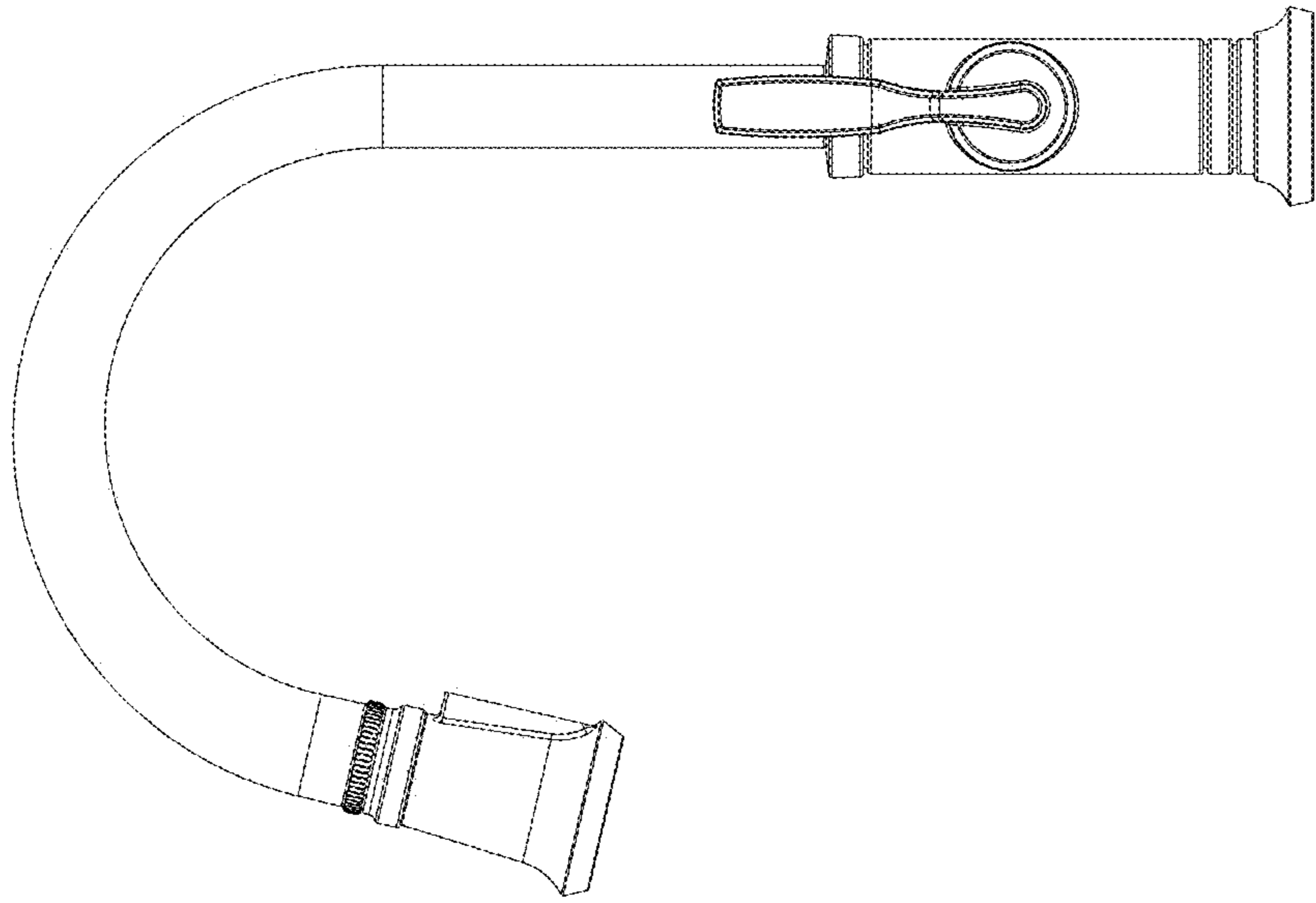


FIG - 4

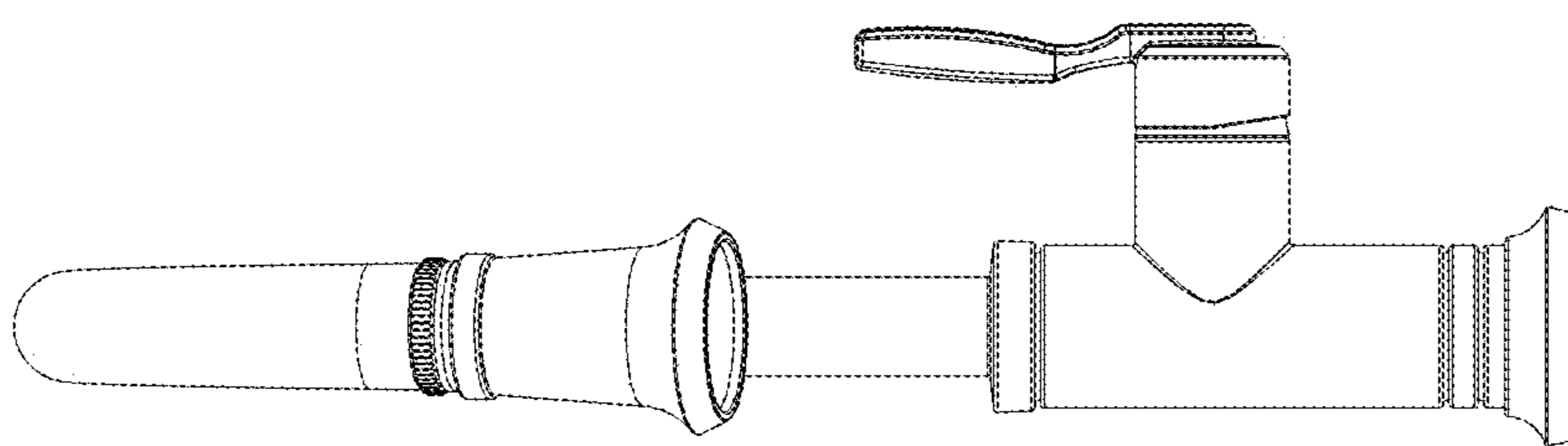


FIG - 3

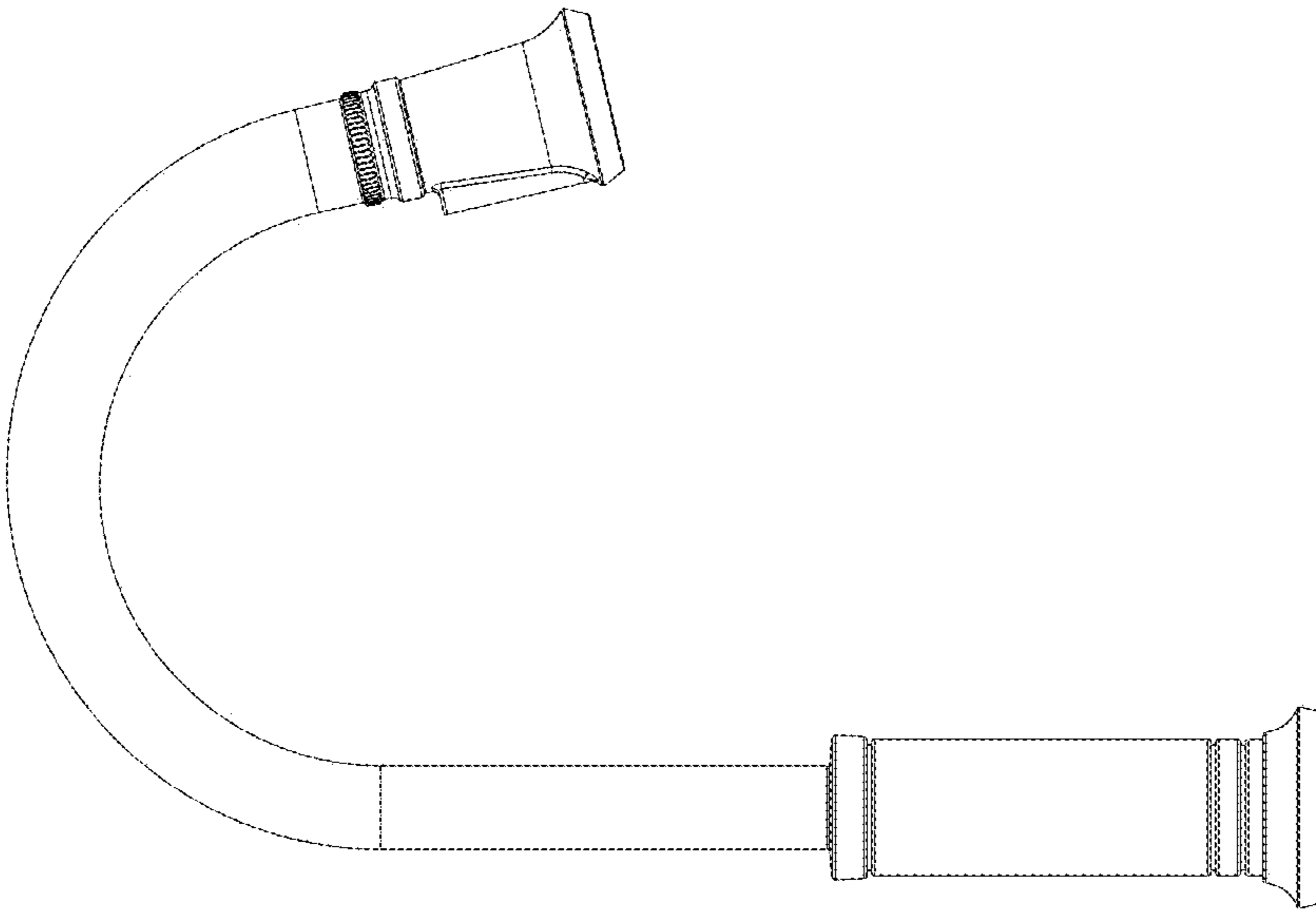


FIG - 6

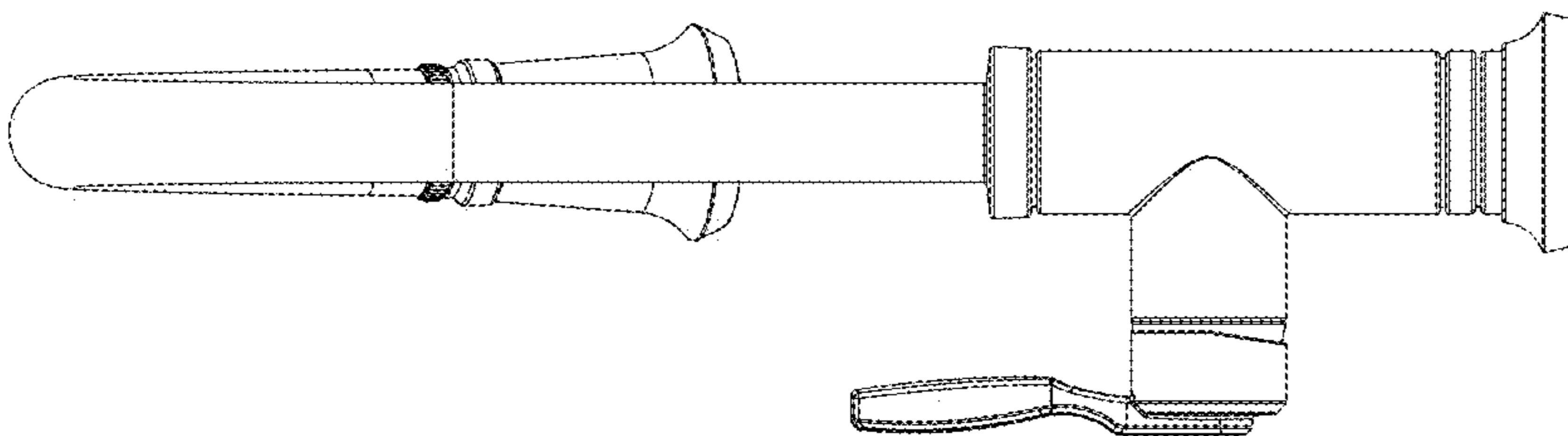


FIG - 5

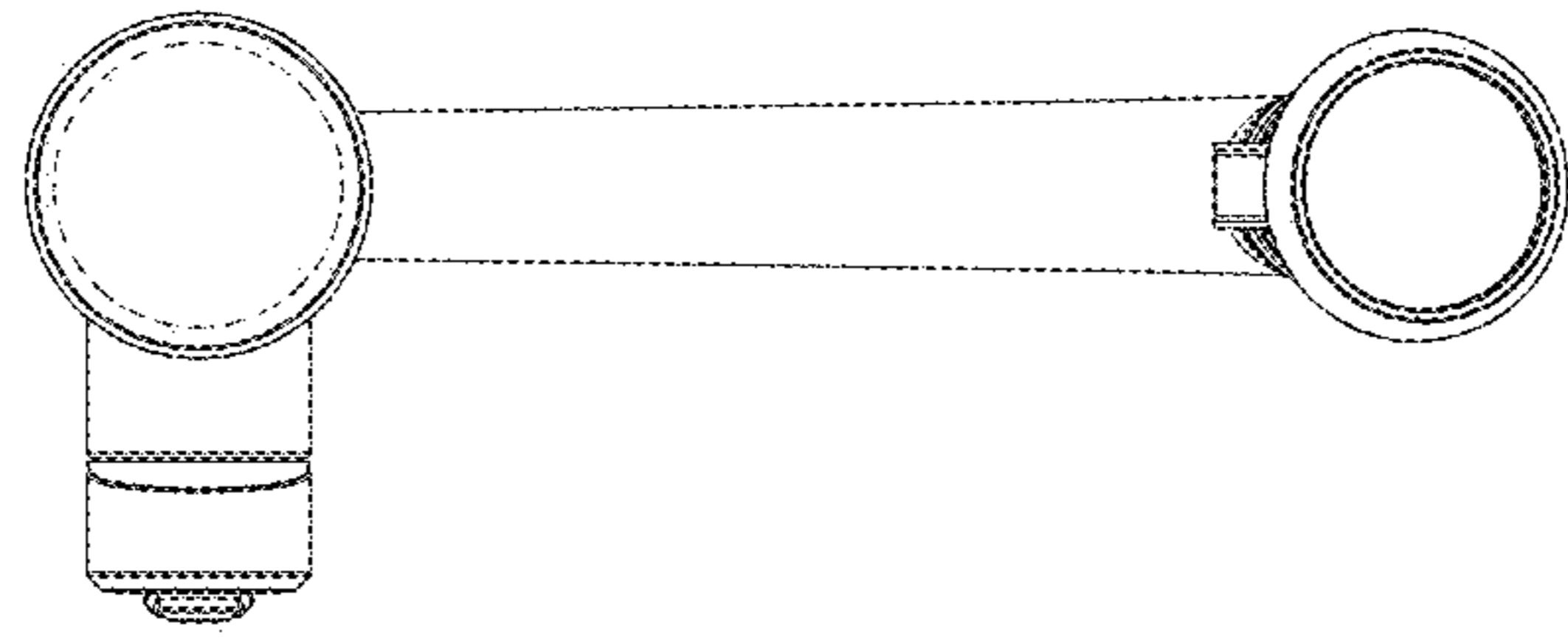


FIG - 8

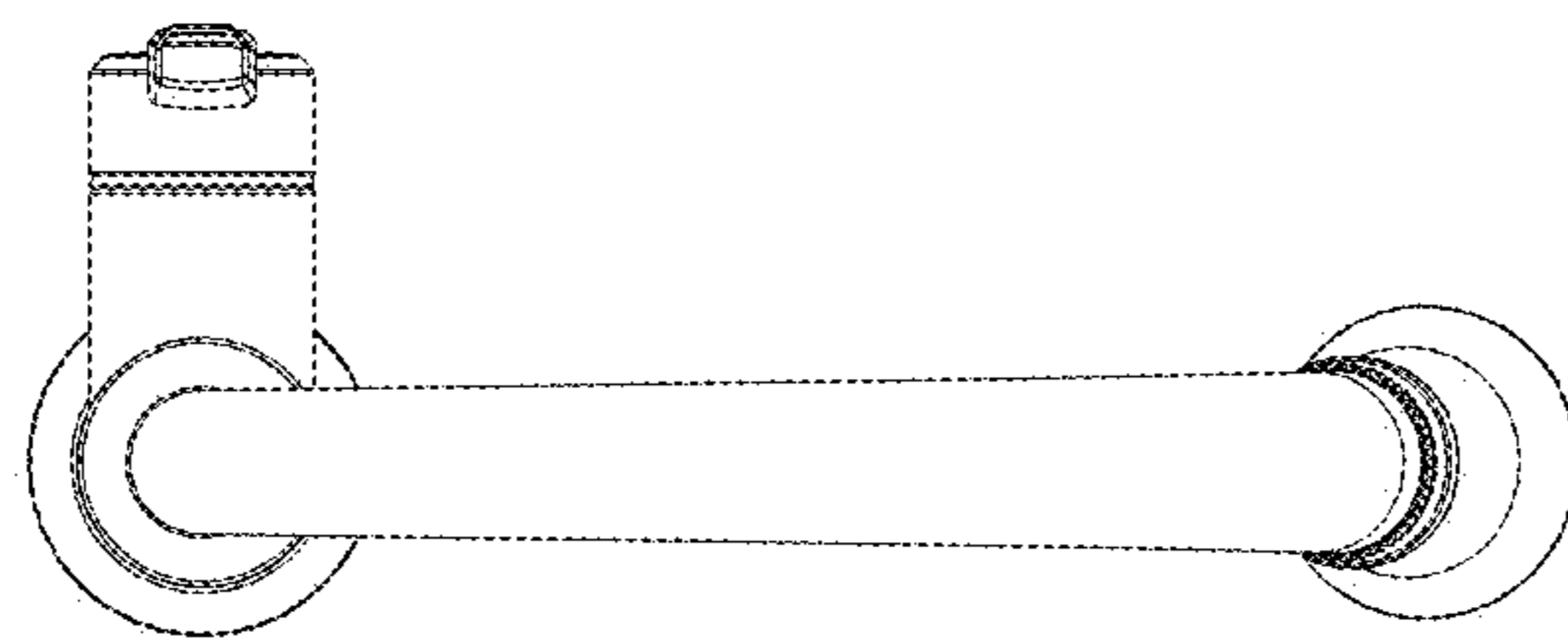


FIG - 7