



US00D953487S

(12) **United States Design Patent**  
**Halfmaerten et al.**

(10) **Patent No.:** **US D953,487 S**

(45) **Date of Patent:** **\*\* May 31, 2022**

(54) **FOAM GUN**

(71) Applicant: **Altachem NV**, Harelbeke (BE)

(72) Inventors: **Wouter Halfmaerten**, Bruges (BE);  
**Jean-Marie Poppe**, Heule (BE)

(73) Assignee: **Altachem NV**, Harelbeke (BE)

(\*\*) Term: **15 Years**

(21) Appl. No.: **29/748,072**

(22) Filed: **Aug. 27, 2020**

(30) **Foreign Application Priority Data**

Mar. 2, 2020 (EM) ..... 007728134

(51) **LOC (13) Cl.** ..... **23-01**

(52) **U.S. Cl.**  
USPC ..... **D23/226**

(58) **Field of Classification Search**  
USPC ..... D23/207, 213, 223, 225, 226, 356, 360;  
D8/29.1, 30; D15/9, 144, 144.2  
CPC .. B05B 5/025; B05B 5/03; B05B 5/16; B05B  
5/1691; B05B 7/0018; B05B 7/0093;  
B05B 7/02; B05B 7/06; B05B 7/062;  
B05B 7/064; B05B 7/12; B05B 7/129;  
B05B 7/24; B05B 7/2475; B05B 7/2478;  
B05B 15/60; B05B 15/63; B05B 9/01;  
F23D 14/38; F23D 14/42

See application file for complete search history.

(56) **References Cited**

**U.S. PATENT DOCUMENTS**

D133,395 S \* 8/1942 Tammen ..... D23/226  
D202,216 S \* 9/1965 Liljemark ..... D23/226  
D376,838 S \* 12/1996 Potts ..... D23/223  
5,645,199 A \* 7/1997 Schnitzler ..... B05B 1/3046  
222/567  
5,683,544 A \* 11/1997 Kopp ..... B01F 5/0665  
156/578

5,875,971 A \* 3/1999 Morck ..... B05B 9/0894  
239/345  
5,887,756 A \* 3/1999 Brown ..... B29B 7/7409  
222/136  
D567,333 S \* 4/2008 Rigolio ..... D23/226  
D567,903 S \* 4/2008 Rigolio ..... D23/226  
D574,464 S \* 8/2008 Rigolio ..... D23/226  
D642,660 S \* 8/2011 Sichien ..... D23/226  
D684,663 S \* 6/2013 Sichien ..... D23/226  
D684,665 S \* 6/2013 Sichien ..... D23/226  
D791,915 S \* 7/2017 Sichien ..... D23/226

(Continued)

**OTHER PUBLICATIONS**

Touhia Thcp0563, Mar. 29, 2019, Amazon, site visited Sep. 20,  
2021: <https://www.amazon.ca/dp/B07PR9R4HM/> (Year: 2019).\*

(Continued)

*Primary Examiner* — Jack Reickel  
*Assistant Examiner* — Bobby W Jones, II  
(74) *Attorney, Agent, or Firm* — Collard & Roe, P.C.

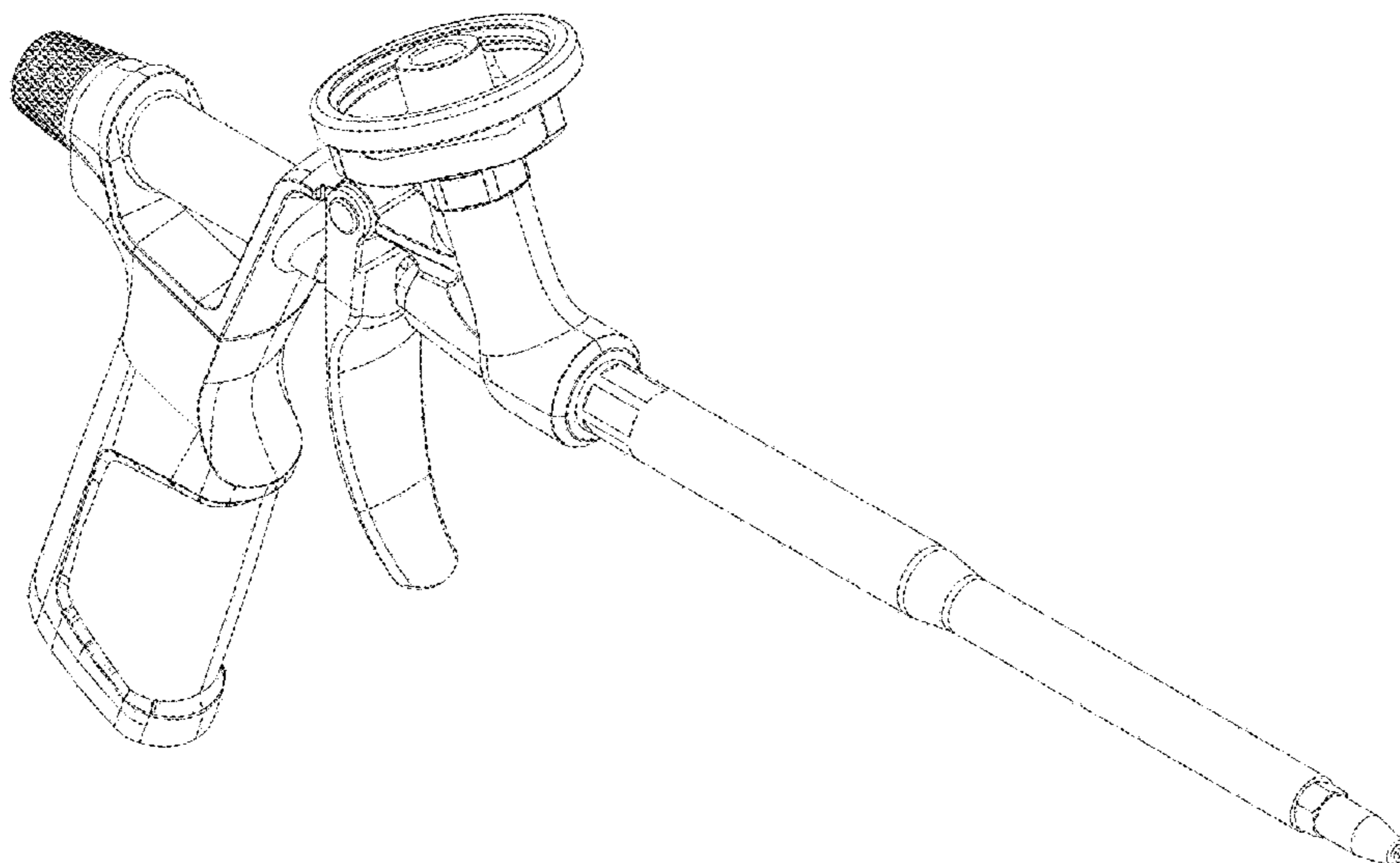
(57) **CLAIM**

The ornamental design for a foam gun, as shown and described.

**DESCRIPTION**

FIG. 1 is a left side, top and front perspective view of a foam gun, showing our new design;  
FIG. 2 is a right side, rear and top view thereof;  
FIG. 3 is a right side view thereof, with the left side view being a mirror image thereof;  
FIG. 4 is a top view thereof;  
FIG. 5 is a bottom view thereof;  
FIG. 6 is a front view thereof; and,  
FIG. 7 is a rear view thereof.  
The features shown in broken lines in FIGS. 4 and 7 depict portions of the foam gun that form no part of the claimed design.

**1 Claim, 4 Drawing Sheets**



(56)

**References Cited**

U.S. PATENT DOCUMENTS

9,808,816 B1 \* 11/2017 Enriquez ..... B65D 83/207  
10,639,656 B1 \* 5/2020 Hammerlund ..... B29B 7/7438  
10,639,658 B1 \* 5/2020 Enriquez ..... B05B 9/01  
2005/0087623 A1 \* 4/2005 Finn ..... B29B 7/7615  
239/302  
2005/0139697 A1 \* 6/2005 Pivovarov ..... B05B 12/002  
239/399  
2008/0031081 A1 \* 2/2008 Rigolio ..... B65D 83/207  
366/131  
2012/0234869 A1 \* 9/2012 Rigolio ..... B65D 21/086  
222/325  
2015/0085601 A1 \* 3/2015 Hammerlund ..... B29B 7/7447  
366/160.1  
2016/0184847 A1 \* 6/2016 Hammerlund ..... B05B 7/2497  
239/304  
2016/0199862 A1 \* 7/2016 Poppe ..... B65D 83/207  
239/375  
2017/0008025 A1 \* 1/2017 Vincent ..... F21V 33/0084  
2019/0270576 A1 \* 9/2019 Johnson ..... B05B 7/02

OTHER PUBLICATIONS

Foamseal FNS 500, Sep. 5, 2013, Amazon, site visited Sep. 20,  
2021: <https://www.amazon.com/dp/B00F2ZGTJE/> (Year: 2013).\*

\* cited by examiner

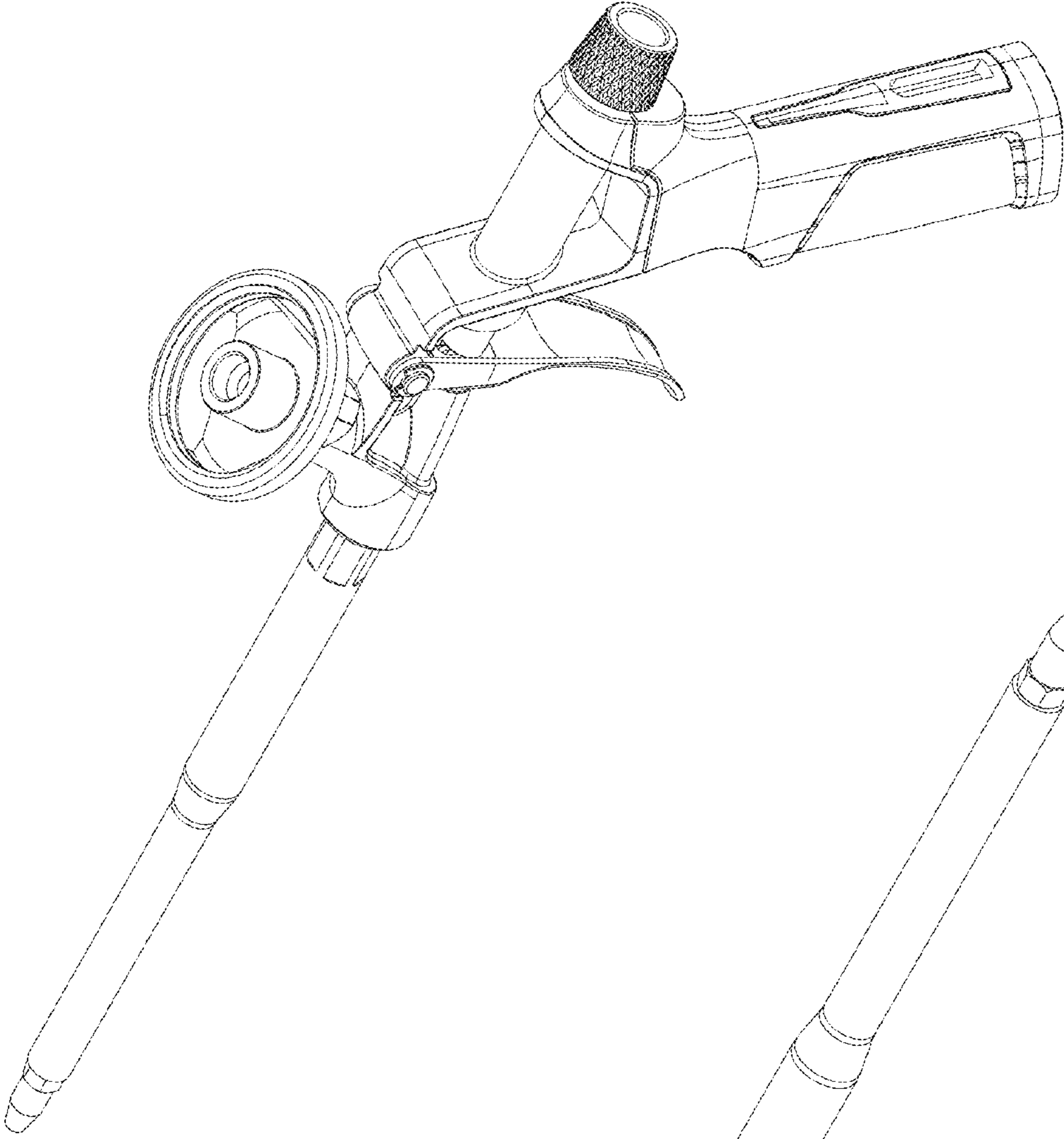


FIG. 1

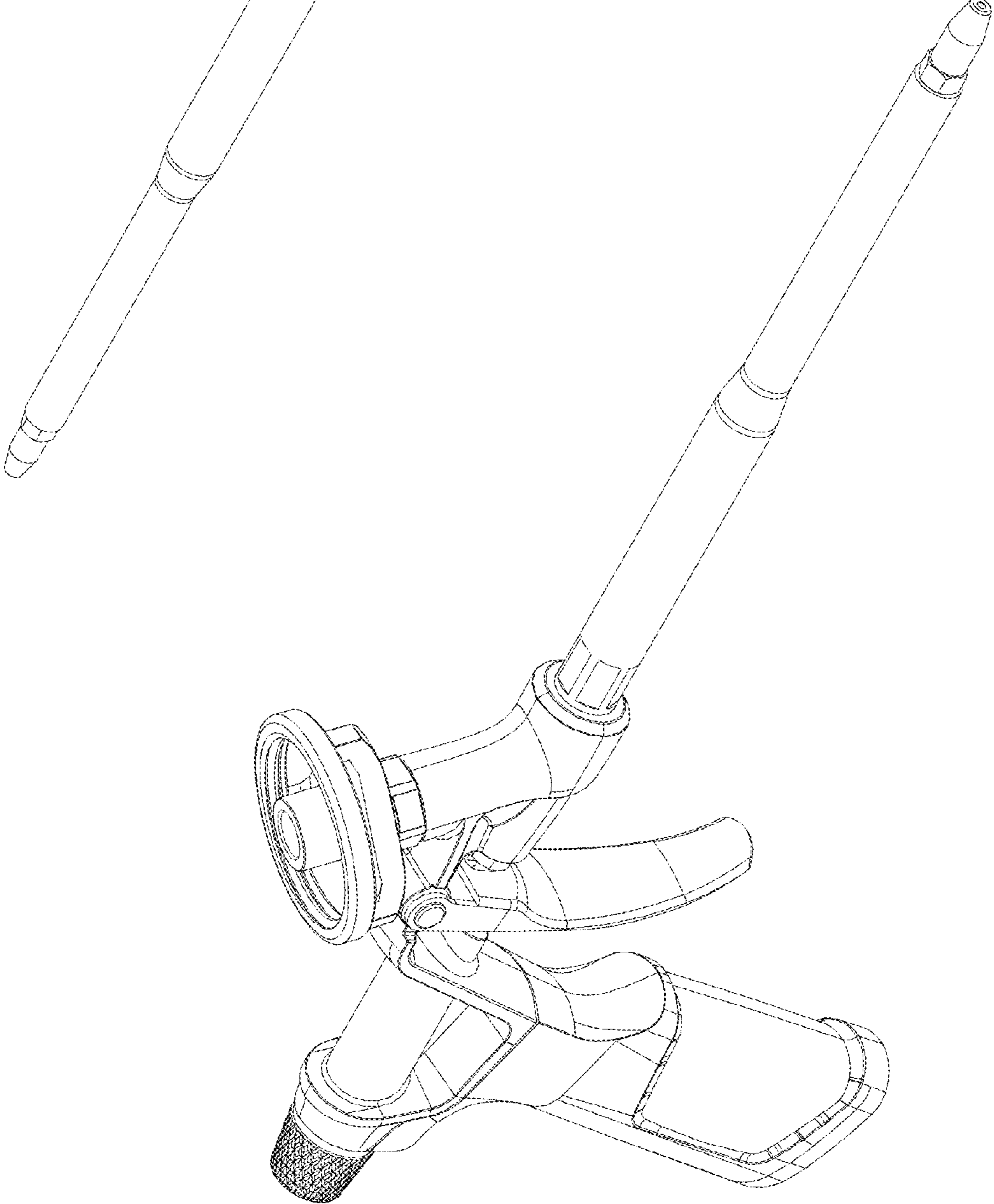


FIG. 2

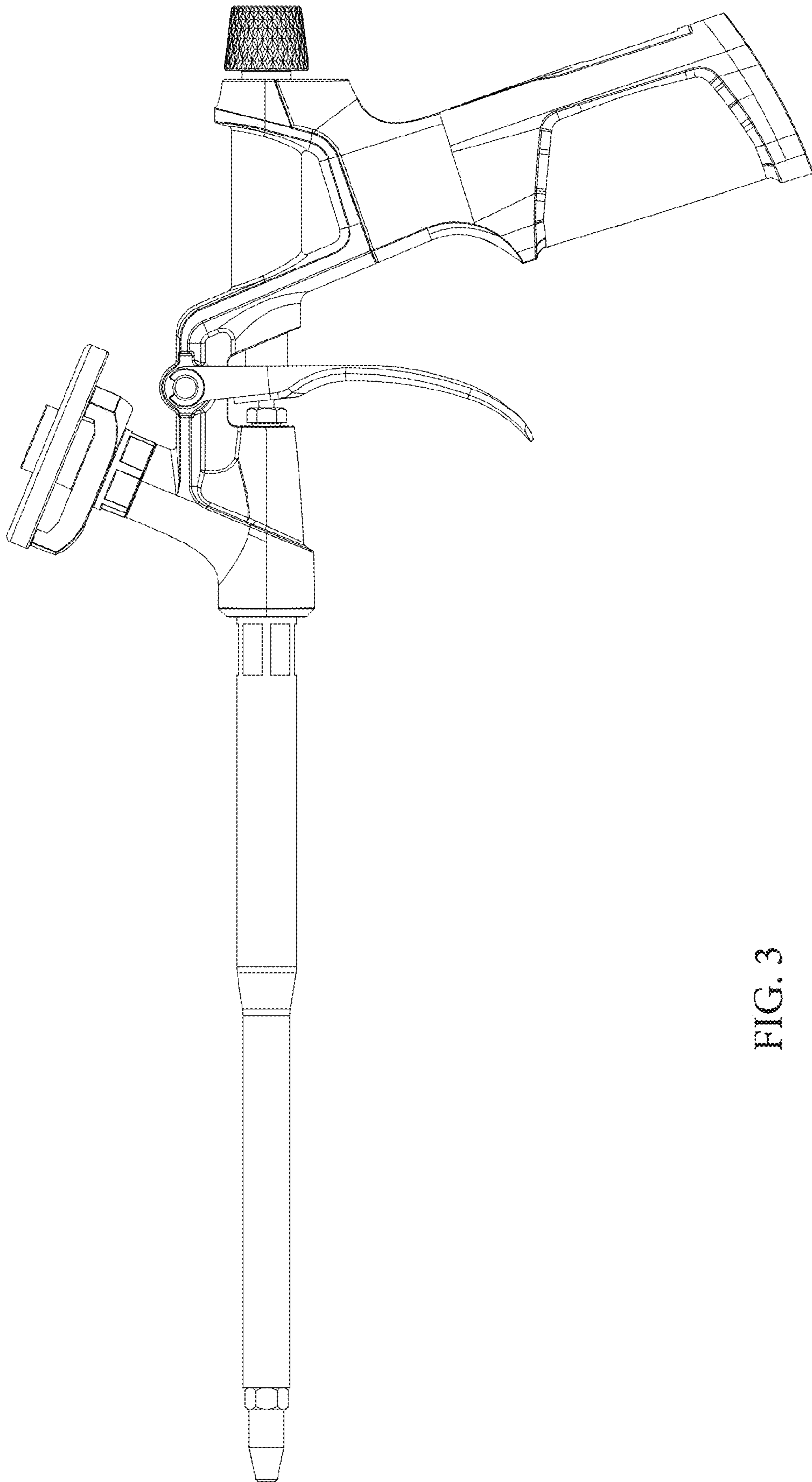


FIG. 3

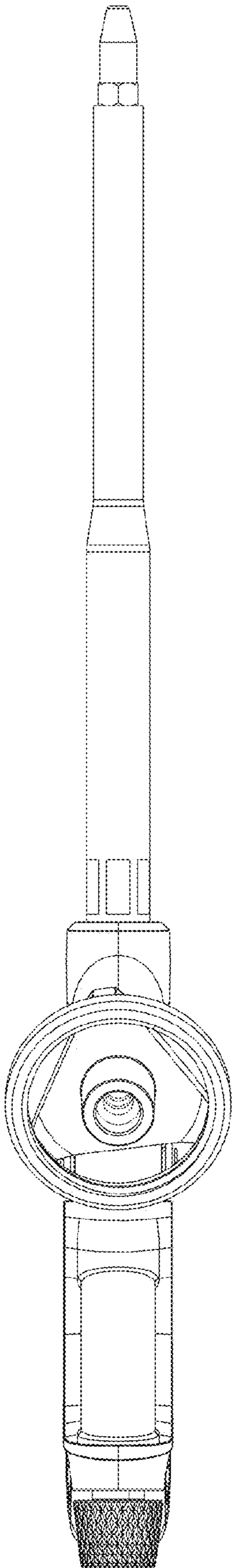


FIG. 4

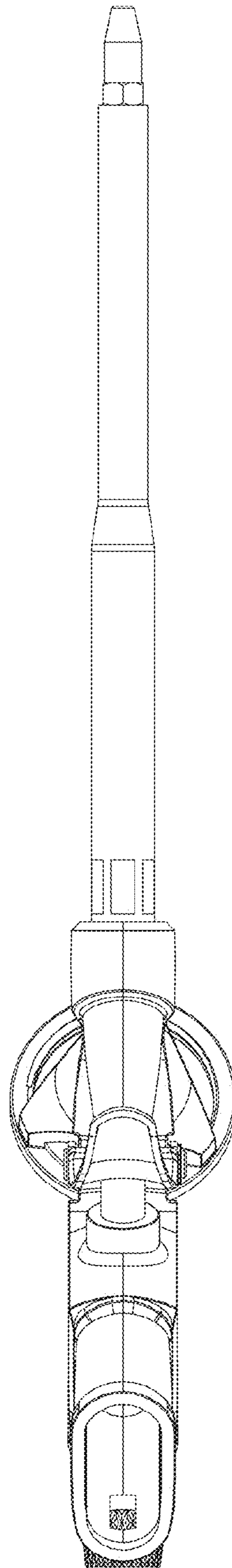


FIG. 5

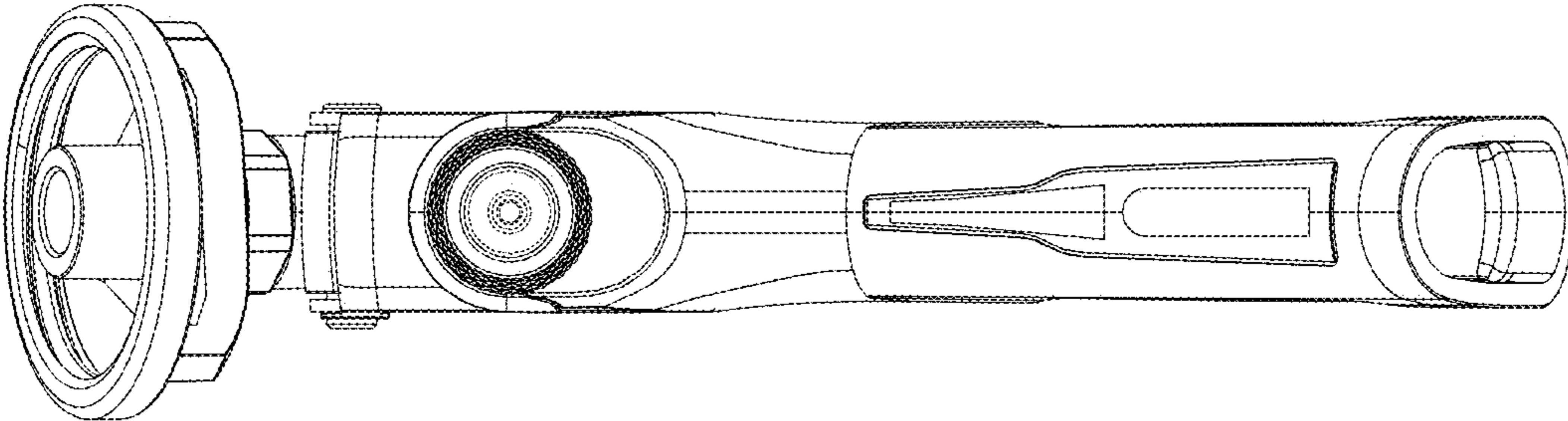


FIG. 7

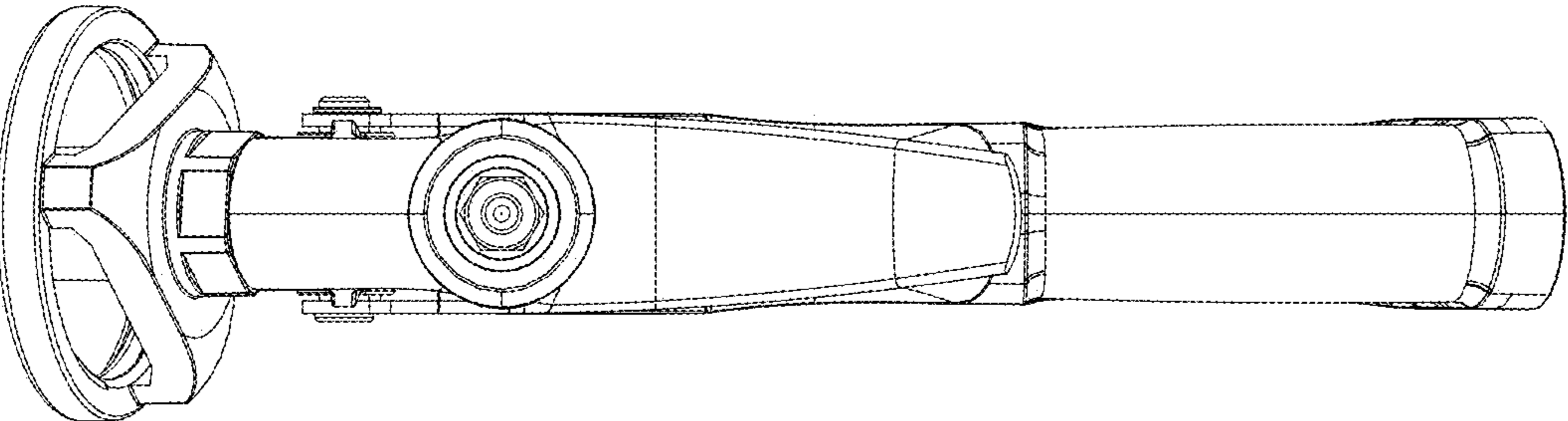


FIG. 6