



US00D953486S

(12) **United States Design Patent** (10) **Patent No.:** **US D953,486 S**  
**Rigolio** (45) **Date of Patent:** **\*\* May 31, 2022**

(54) **POLYURETHANE FOAM GUN**  
(71) Applicant: **Riccardo Rigolio**, Olgiate Olona (IT)  
(72) Inventor: **Riccardo Rigolio**, Olgiate Olona (IT)  
(\*\*) Term: **15 Years**  
(21) Appl. No.: **29/722,459**  
(22) Filed: **Jan. 30, 2020**

D613,820 S \* 4/2010 Chou ..... D23/223  
D685,058 S \* 6/2013 Rigolio ..... D23/226  
D780,892 S \* 3/2017 Carlson ..... D23/226  
D791,914 S \* 7/2017 Sichien ..... D23/226  
9,808,816 B1 \* 11/2017 Enriquez ..... B65D 83/207  
D858,698 S \* 9/2019 Arino ..... D23/213  
10,639,658 B1 \* 5/2020 Enriquez ..... B05B 9/01  
2003/0116647 A1 \* 6/2003 Brown ..... B29B 7/7447  
239/414  
2008/0295768 A1 \* 12/2008 Micheli ..... B05B 7/02  
118/300

(Continued)

(30) **Foreign Application Priority Data**

Jul. 30, 2019 (EM) ..... 006652327

(51) **LOC (13) Cl.** ..... **23-01**  
(52) **U.S. Cl.**  
USPC ..... **D23/226**

(58) **Field of Classification Search**  
USPC ..... D23/207, 213, 223, 225, 226, 356, 360;  
D8/29.1, 30; D15/9, 144, 144.2  
CPC .. B05B 5/025; B05B 5/03; B05B 5/16; B05B  
5/1691; B05B 7/0018; B05B 7/0093;  
B05B 7/02; B05B 7/06; B05B 7/062;  
B05B 7/064; B05B 7/12; B05B 7/129;  
B05B 7/24; B05B 7/2475; B05B 7/2478;  
B05B 15/60; B05B 15/63; B05B 9/01;  
F23D 14/38; F23D 14/42  
See application file for complete search history.

(56) **References Cited**

**U.S. PATENT DOCUMENTS**

3,633,795 A \* 1/1972 Brooks ..... B05B 7/1209  
222/134  
D510,407 S \* 10/2005 Schiller ..... D23/225  
D553,709 S \* 10/2007 Huang ..... D23/223  
D553,710 S \* 10/2007 Huang ..... D23/223  
D567,333 S \* 4/2008 Rigolio ..... D23/226  
D582,511 S \* 12/2008 Downey ..... D23/223  
D591,397 S \* 4/2009 Rigolio ..... D23/226  
D607,086 S \* 12/2009 Kosaka ..... D23/226  
D608,857 S \* 1/2010 Chou ..... D23/223

**OTHER PUBLICATIONS**

Auto-plaza Pu Expanding Caulking Gun, Oct. 12, 2019, Amazon, site visited Sep. 20, 2021: <https://www.amazon.ca/dp/B07Z2464XX/> (Year: 2019).\*

(Continued)

*Primary Examiner* — Jack Reickel  
*Assistant Examiner* — Bobby W Jones, II  
(74) *Attorney, Agent, or Firm* — Jacobson Holman PLLC

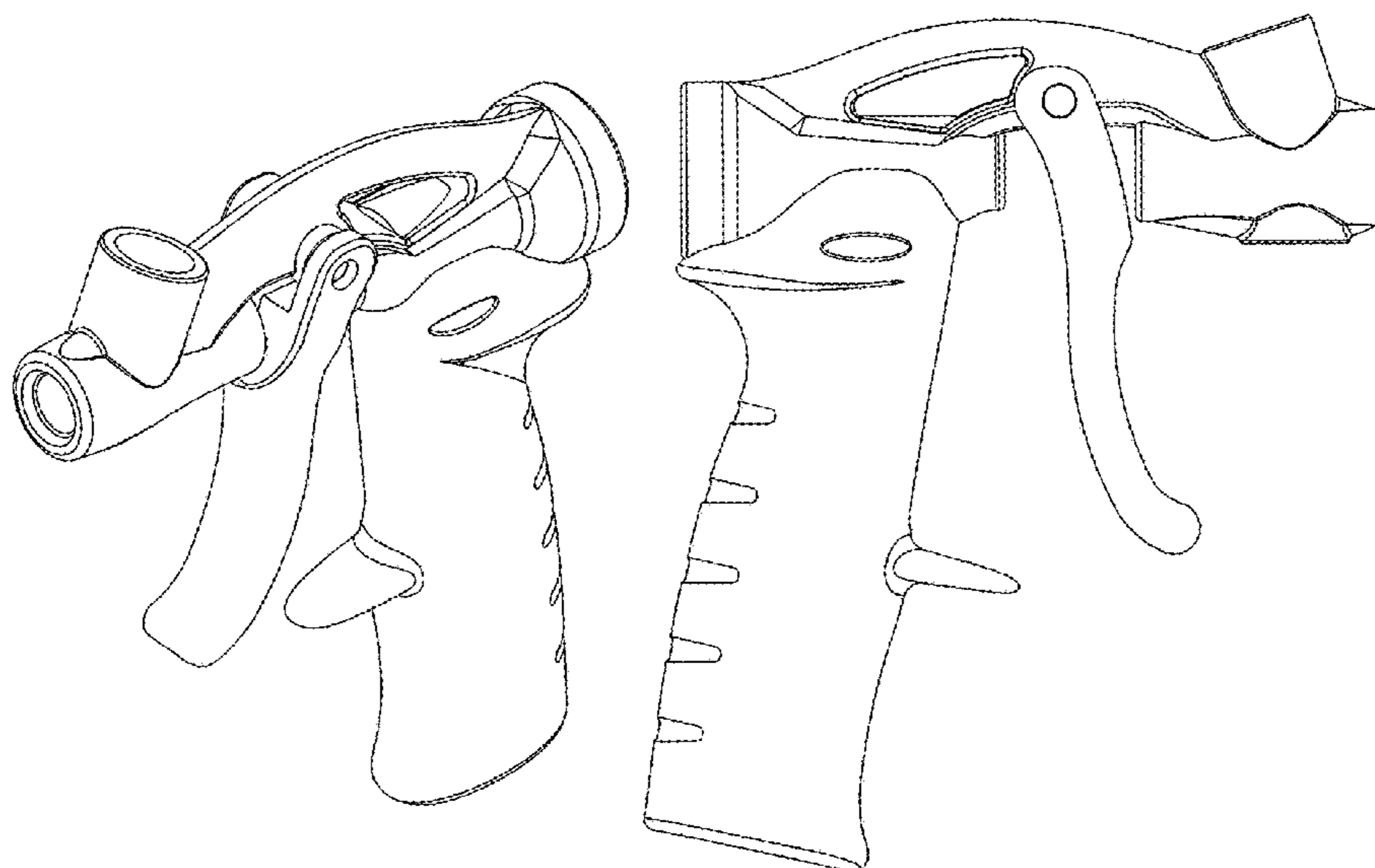
(57) **CLAIM**

I claim the ornamental design for a polyurethane foam gun, as shown and described.

**DESCRIPTION**

FIG. 1 shows a perspective view of a polyurethane foam gun;  
FIG. 2 shows a front elevational view of FIG. 1;  
FIG. 3 shows a left side elevational view of FIG. 1;  
FIG. 4 shows a back elevational view of FIG. 1;  
FIG. 5 shows a right side elevational view of FIG. 1;  
FIG. 6 shows a top plan view of FIG. 1; and,  
FIG. 7 shows a bottom view of FIG. 1.  
The broken line showing of the polyurethane foam gun is included for the purpose of illustrating portions of the article and forms no part of the claimed design.

**1 Claim, 7 Drawing Sheets**



(56)

**References Cited**

U.S. PATENT DOCUMENTS

2009/0057441 A1\* 3/2009 Chiang ..... B05B 7/2478  
239/300  
2015/0217311 A1\* 8/2015 Scherich ..... B05B 7/129  
239/373  
2017/0209880 A1\* 7/2017 Carideo ..... F04B 49/08  
2018/0243767 A1\* 8/2018 Stewart ..... B05B 15/55  
2019/0001359 A1\* 1/2019 Negri ..... B05B 15/63  
2019/0039086 A1\* 2/2019 Kim ..... B05B 12/0022  
2021/0121898 A1\* 4/2021 Kalinich ..... B05B 7/0416  
2021/0121899 A1\* 4/2021 Kalinich ..... B05B 7/0025

OTHER PUBLICATIONS

AWF PRO Foam Gun—AWF 1000, Oct. 25, 2016, Amazon, site visited Sep. 20, 2021: <https://www.amazon.com/dp/B01M7U73LQ/> (Year: 2016).\*

\* cited by examiner

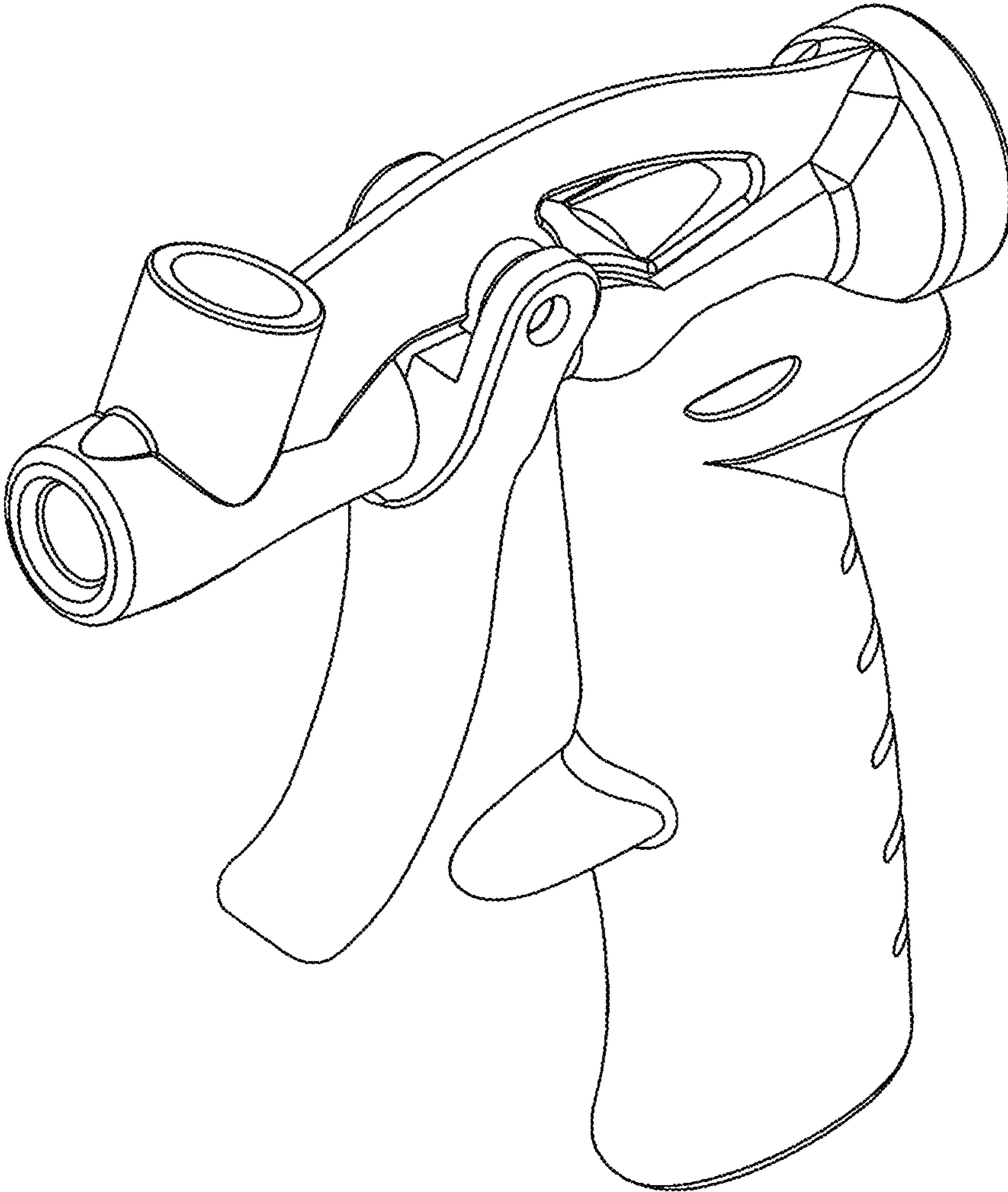


FIG. 1

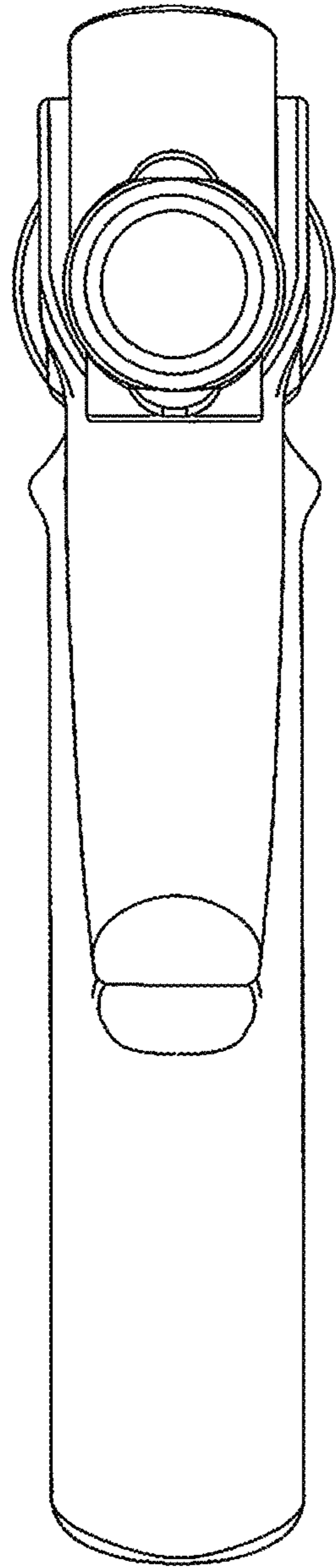


FIG.2

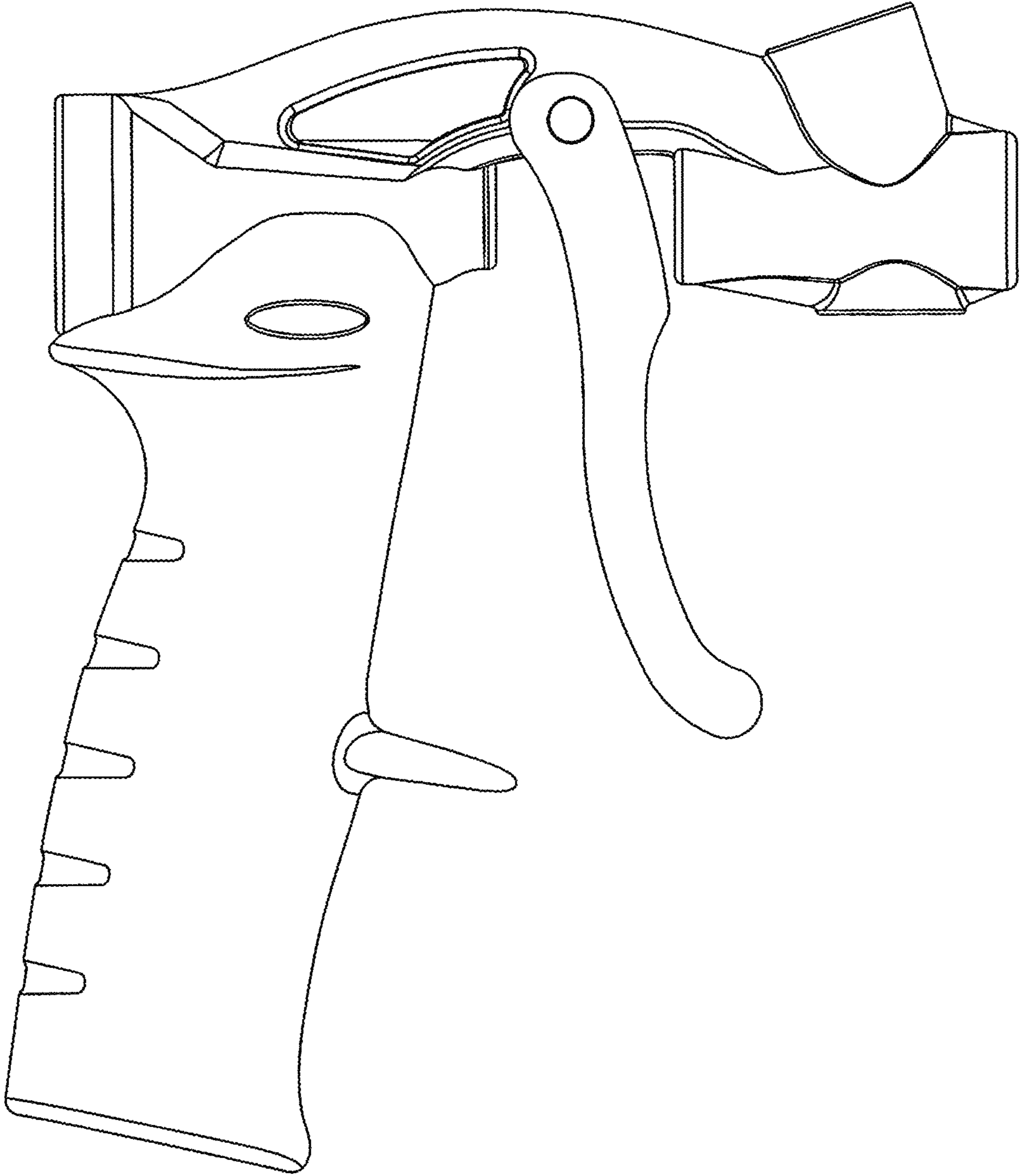


FIG.3

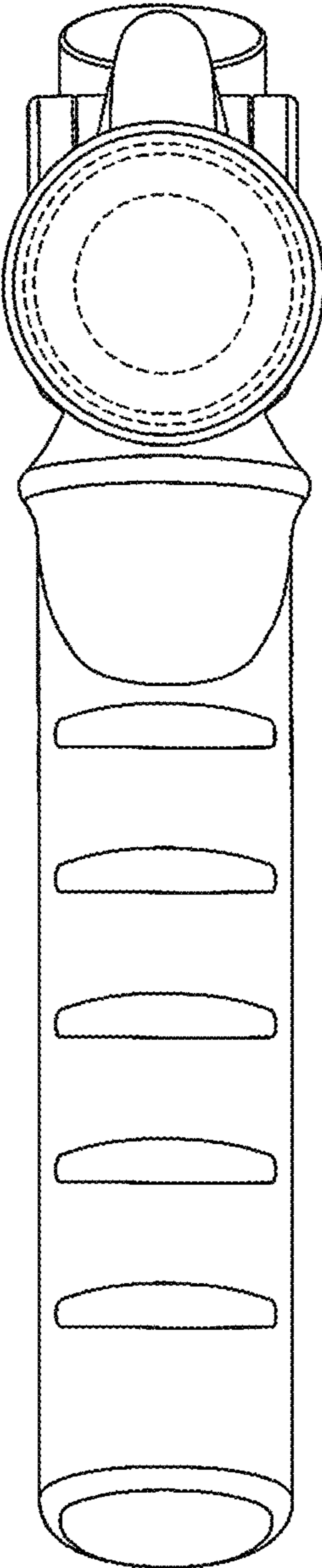


FIG.4

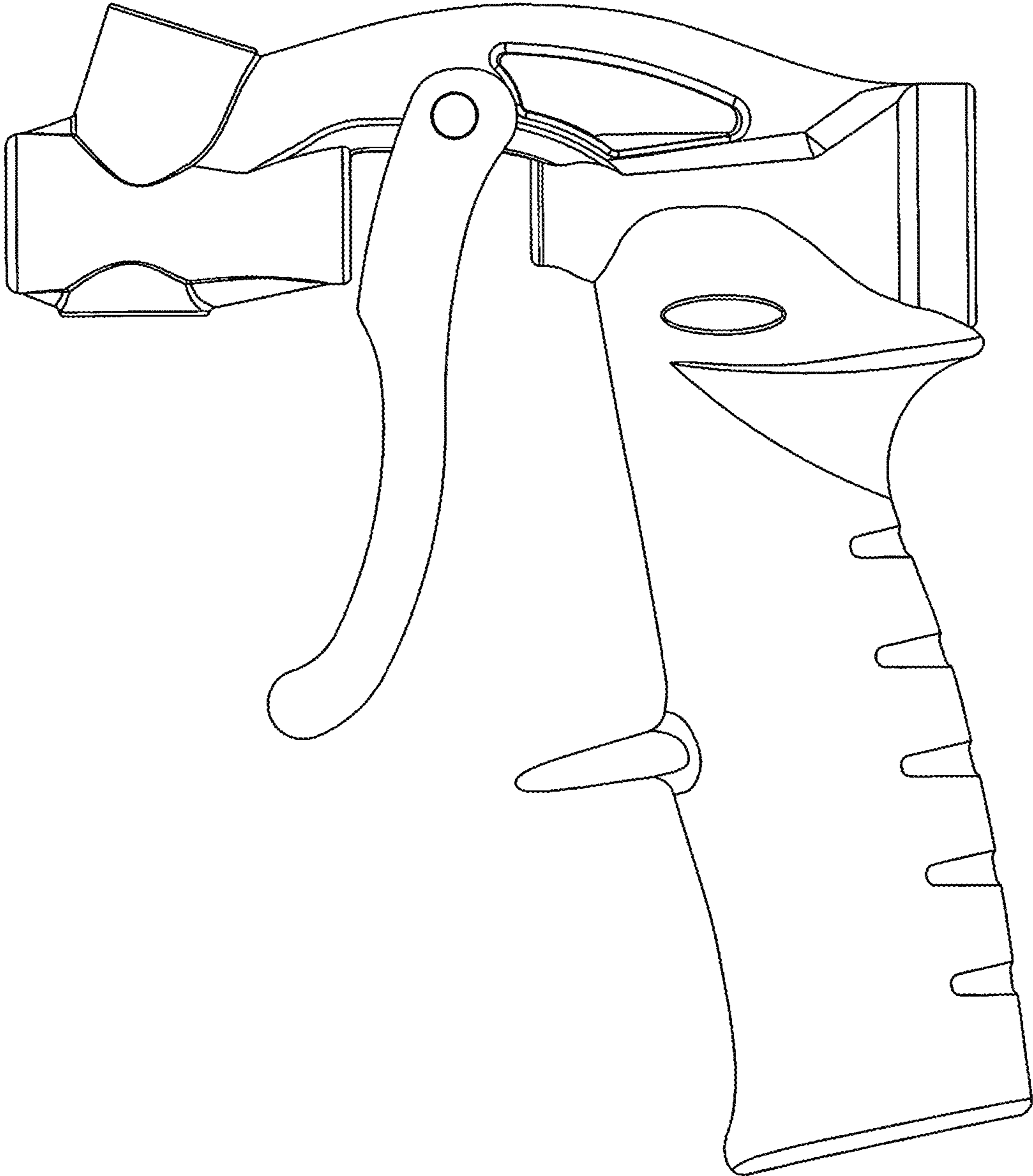


FIG.5

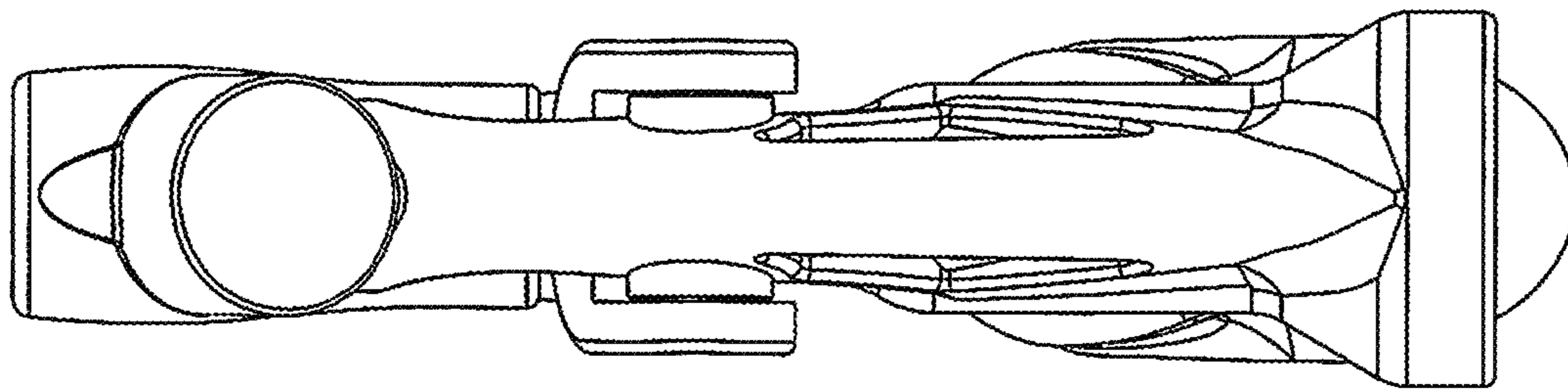


FIG.6



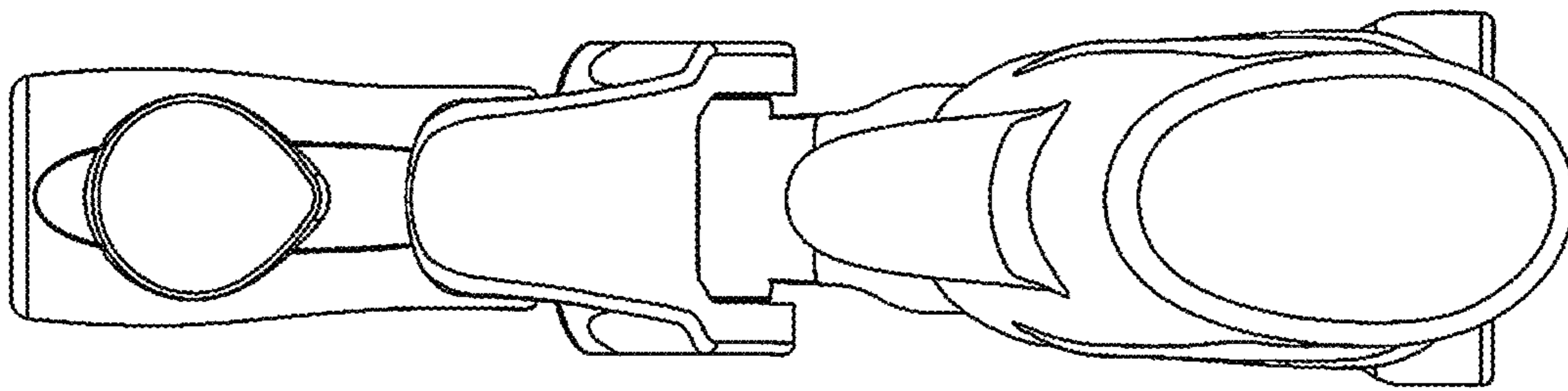


FIG.7