



US00D953484S

(12) **United States Design Patent**
Zhang

(10) **Patent No.:** **US D953,484 S**

(45) **Date of Patent:** **** May 31, 2022**

(54) **GAS CAN SPOUT**

(71) Applicant: **Torry Zhang**, Shanghai (CN)

(72) Inventor: **Torry Zhang**, Shanghai (CN)

(**) Term: **15 Years**

(21) Appl. No.: **29/781,618**

(22) Filed: **Apr. 30, 2021**

(51) **LOC (13) Cl.** **23-01**

(52) **U.S. Cl.**

USPC **D23/213**

(58) **Field of Classification Search**

USPC D23/211, 211.1, 211.2, 213–214,
D23/223–224, 226, 231, 249, 255, 257,
D23/260, 262–263, 266; D3/435, 447
CPC ... B67D 5/37; B67D 7/50; F16L 37/00; F16L
37/46; F17C 13/12; F17C 2205/0376

See application file for complete search history.

(56) **References Cited**

U.S. PATENT DOCUMENTS

D627,862 S *	11/2010	Ball	E03C 1/232
				D23/262
D687,513 S *	8/2013	Williams	D23/209
D722,681 S *	2/2015	Berardi	F16L 11/12
				D23/266
D723,669 S *	3/2015	Berardi	D23/266
D782,001 S *	3/2017	Birch	D23/211.2
D804,619 S *	12/2017	Mursu	D23/259
D808,431 S *	1/2018	Tseng	D15/5
D834,154 S *	11/2018	Khubani	D23/262
D835,244 S *	12/2018	Khubani	D23/262
D850,580 S *	6/2019	Hooper	D23/213
D884,841 S *	5/2020	Drew	D23/266
D891,589 S *	7/2020	Mishan	D23/266

D891,929 S	8/2020	Clemence et al.	
D911,104 S	2/2021	Meyers et al.	
D920,486 S *	5/2021	Richter D23/266
D921,153 S *	6/2021	Zhang D23/213
D923,140 S *	6/2021	Yu F16L 11/12
			D23/213
D937,970 S *	12/2021	Moskowitz E03C 1/232
			D23/213

OTHER PUBLICATIONS

Nother gas can spout Jan. 17, 2021 found on Dec. 10, 2021 at <https://www.amazon.com/Replacement-Upgraded-Stainless-Pre-2009-Plastic/dp/B08T8JGF6V/?th=1> (Year: 2021).*

* cited by examiner

Primary Examiner — Karen S Acker

Assistant Examiner — Jonathan E Fiencke

(74) *Attorney, Agent, or Firm* — ScienBiziP, P.C.

(57) **CLAIM**

The ornamental design for a gas can spout, as shown and described.

DESCRIPTION

FIG. 1 is a front, left, and top perspective view of a gas can spout, showing my design.

FIG. 2 is a front elevation view thereof.

FIG. 3 is a rear elevation view thereof.

FIG. 4 is a left side elevation view thereof.

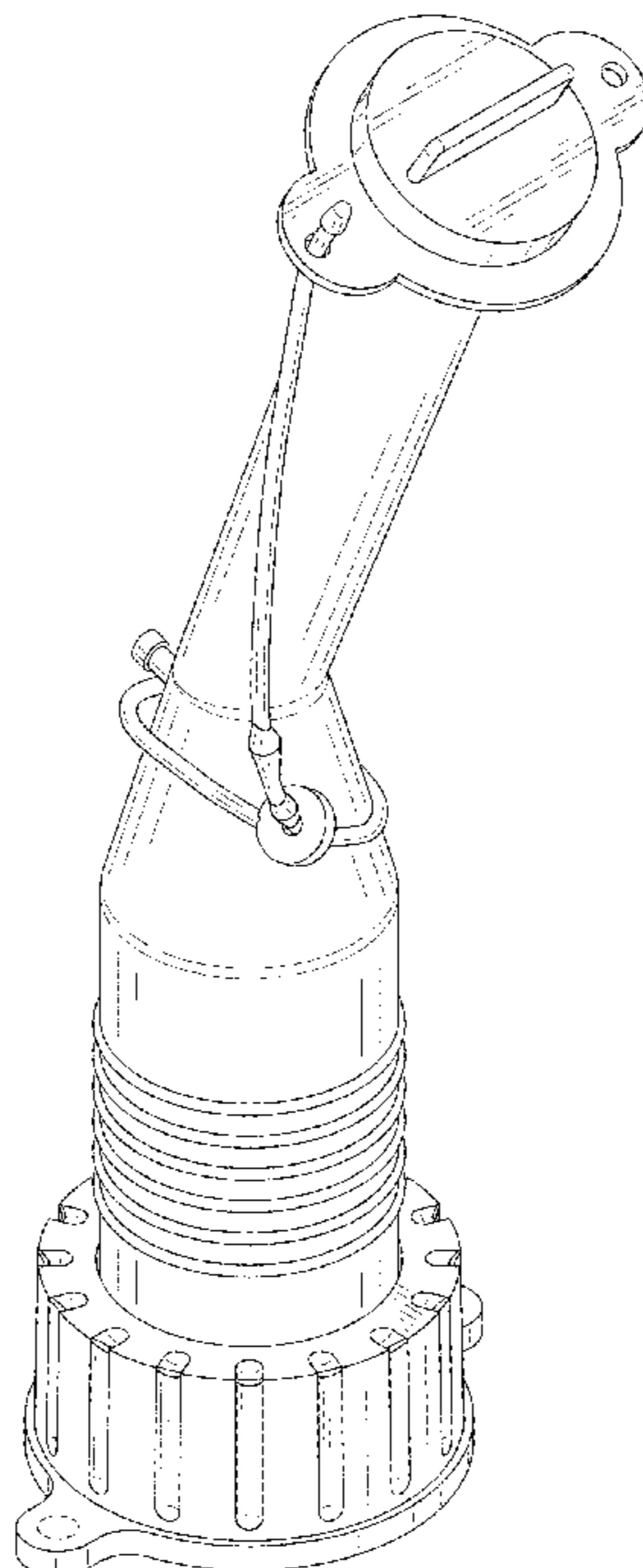
FIG. 5 is a right side elevation view thereof.

FIG. 6 is a top plan view thereof; and,

FIG. 7 is a bottom plan view thereof.

The circles drawn in broken lines and areas within them depict portions of the gas can spout that form no part of the claimed design.

1 Claim, 7 Drawing Sheets



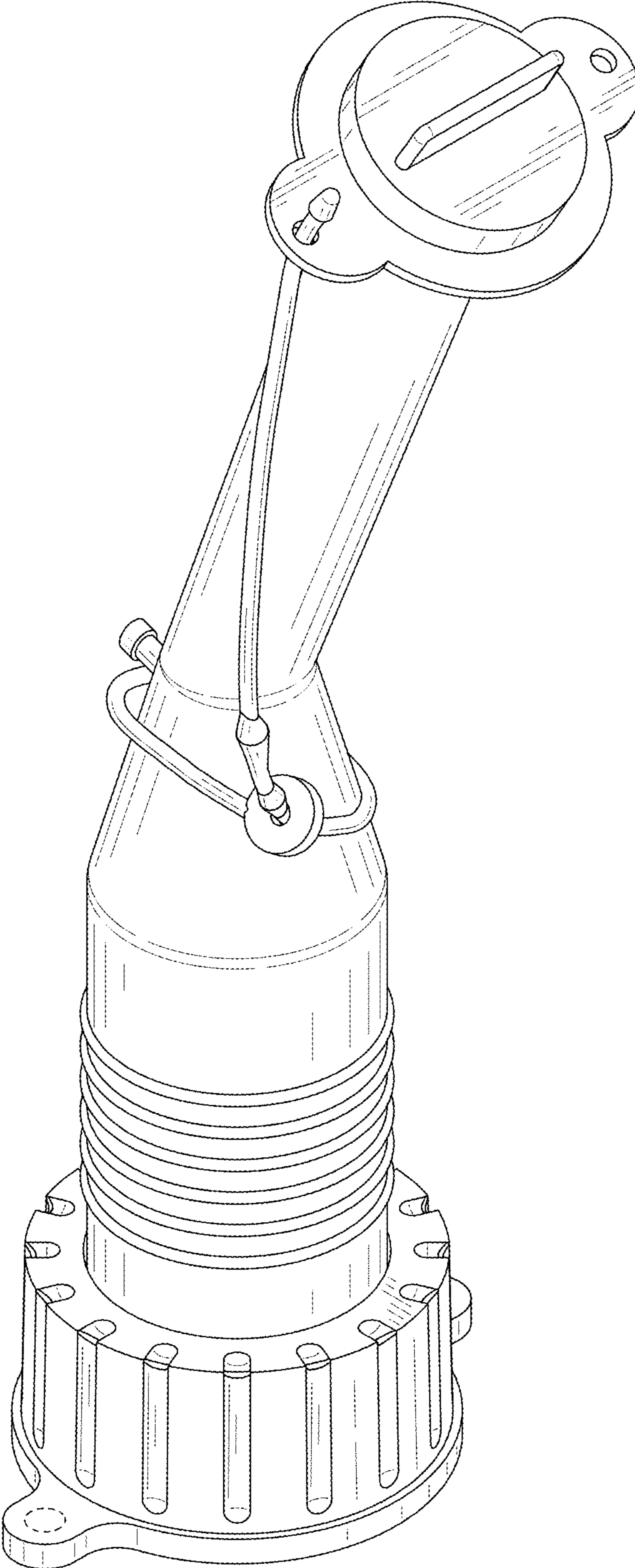


FIG. 1

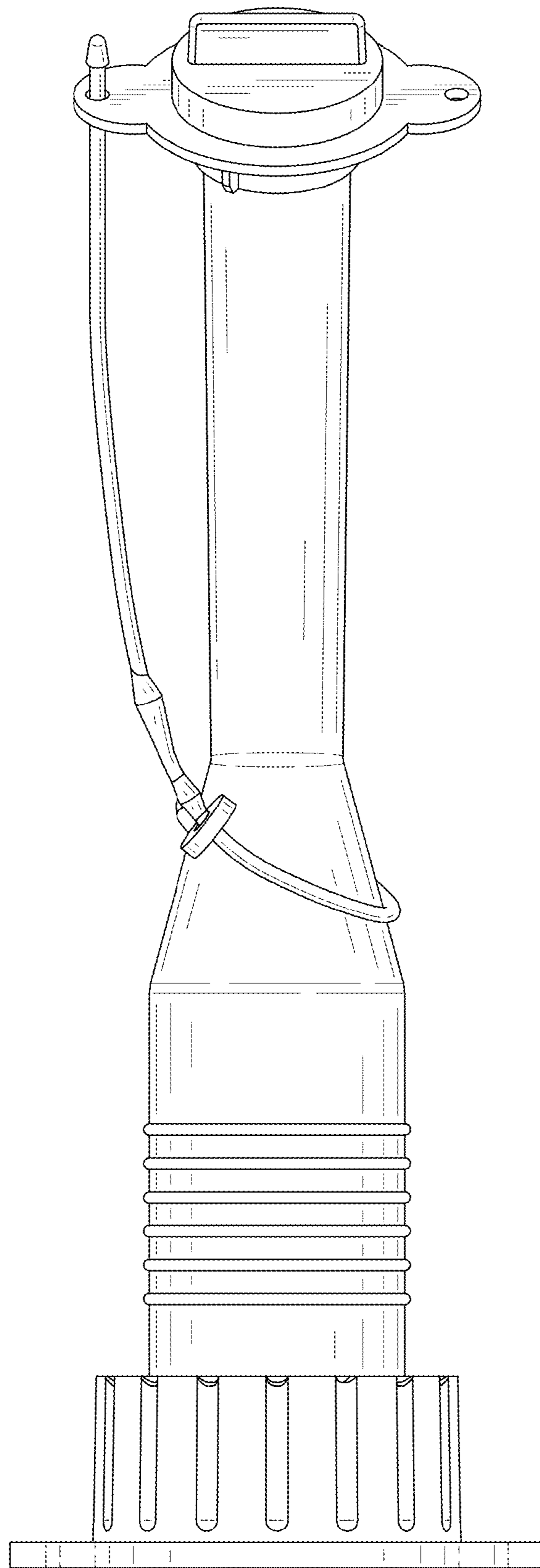


FIG. 2

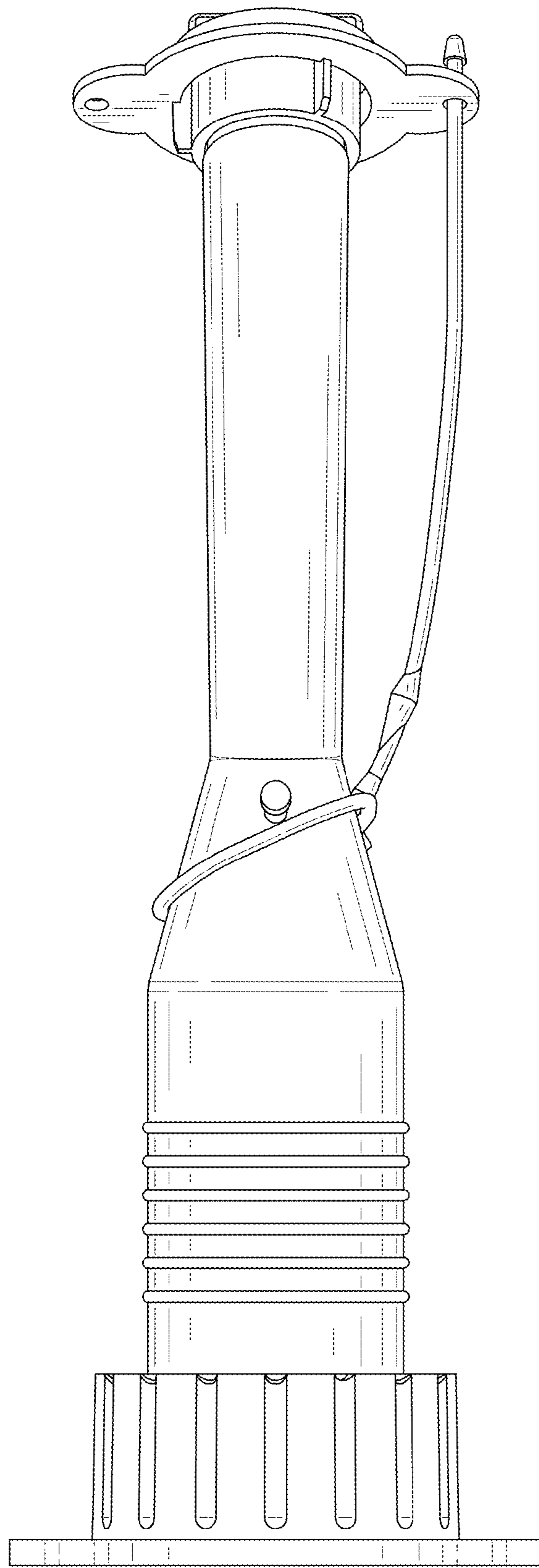


FIG. 3

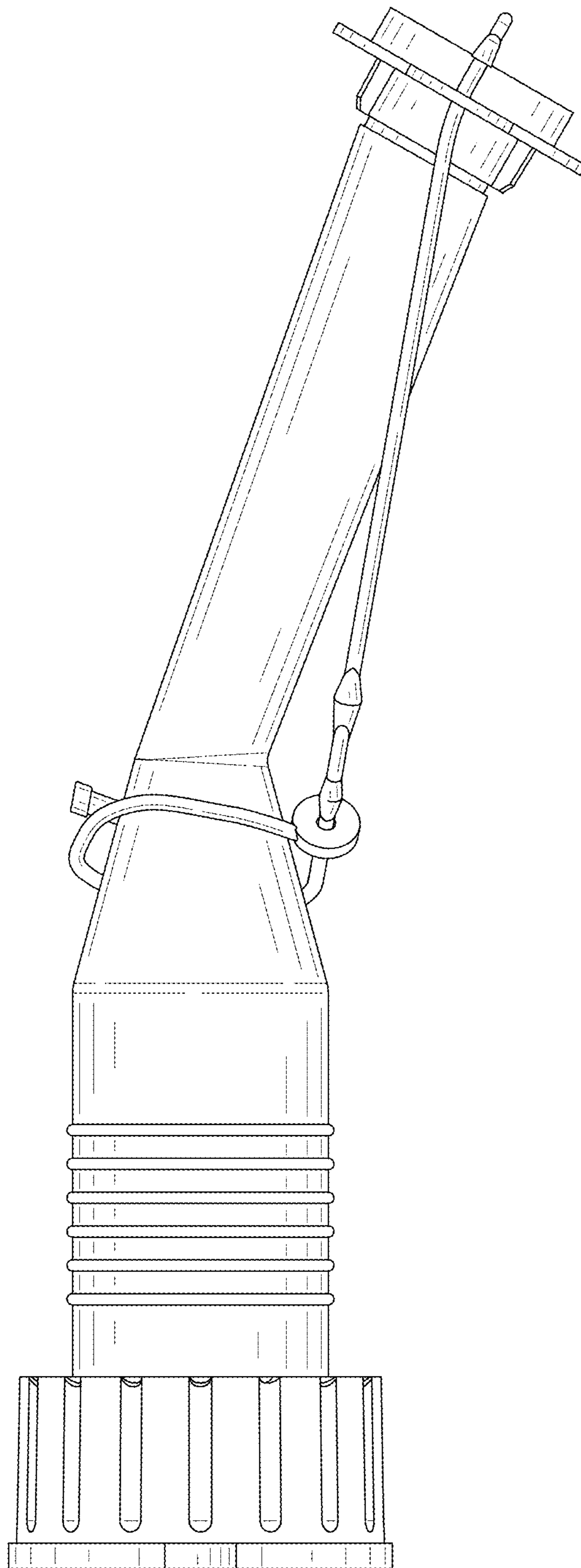


FIG. 4

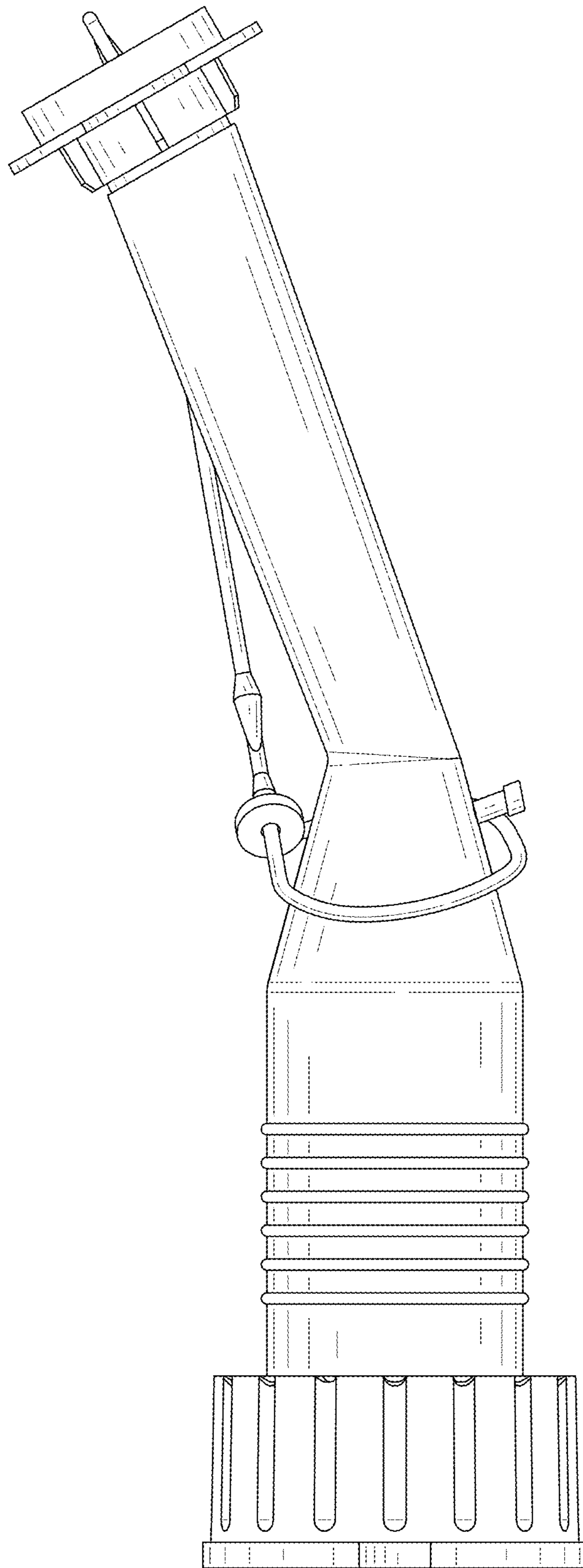


FIG. 5

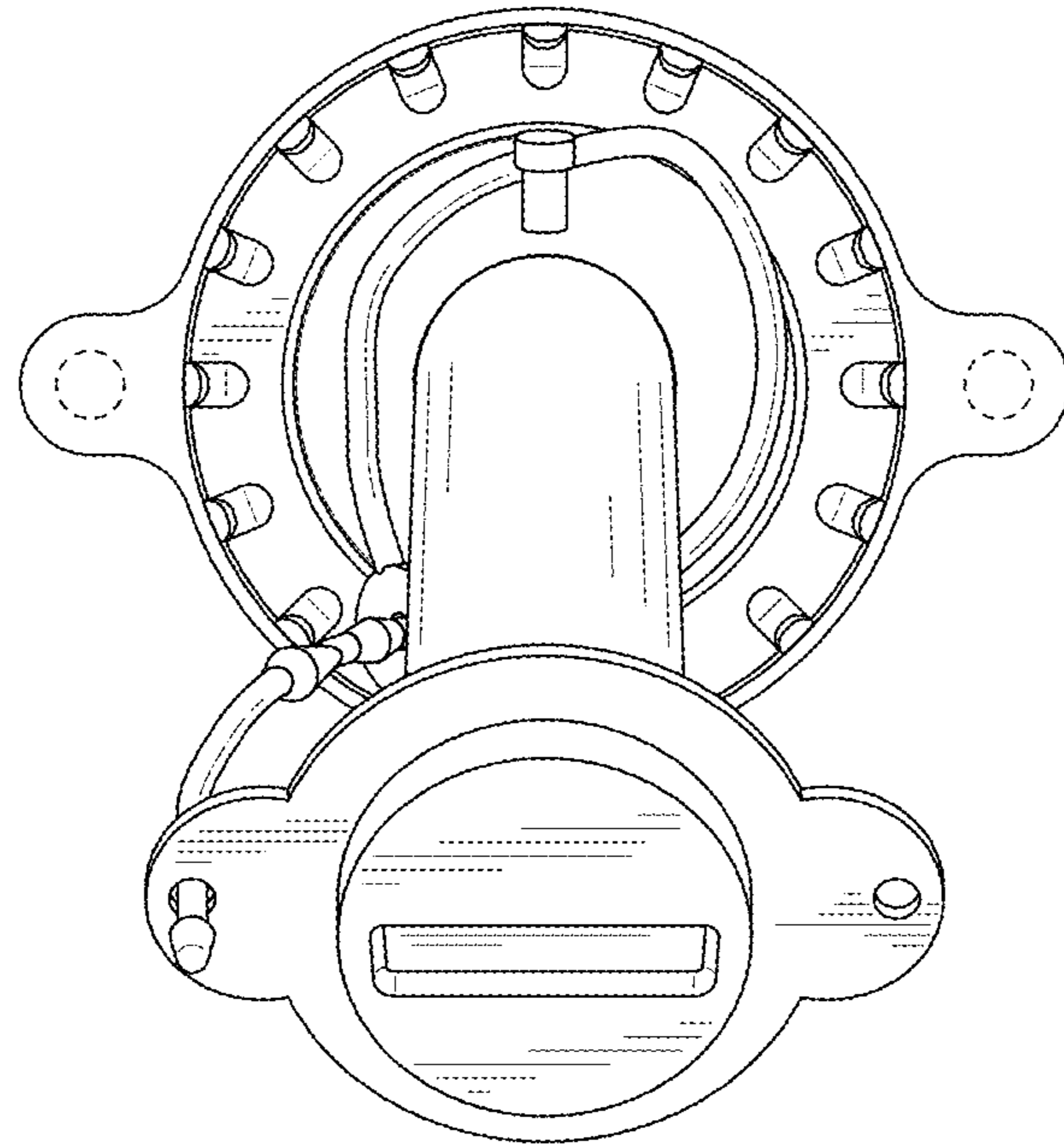


FIG. 6

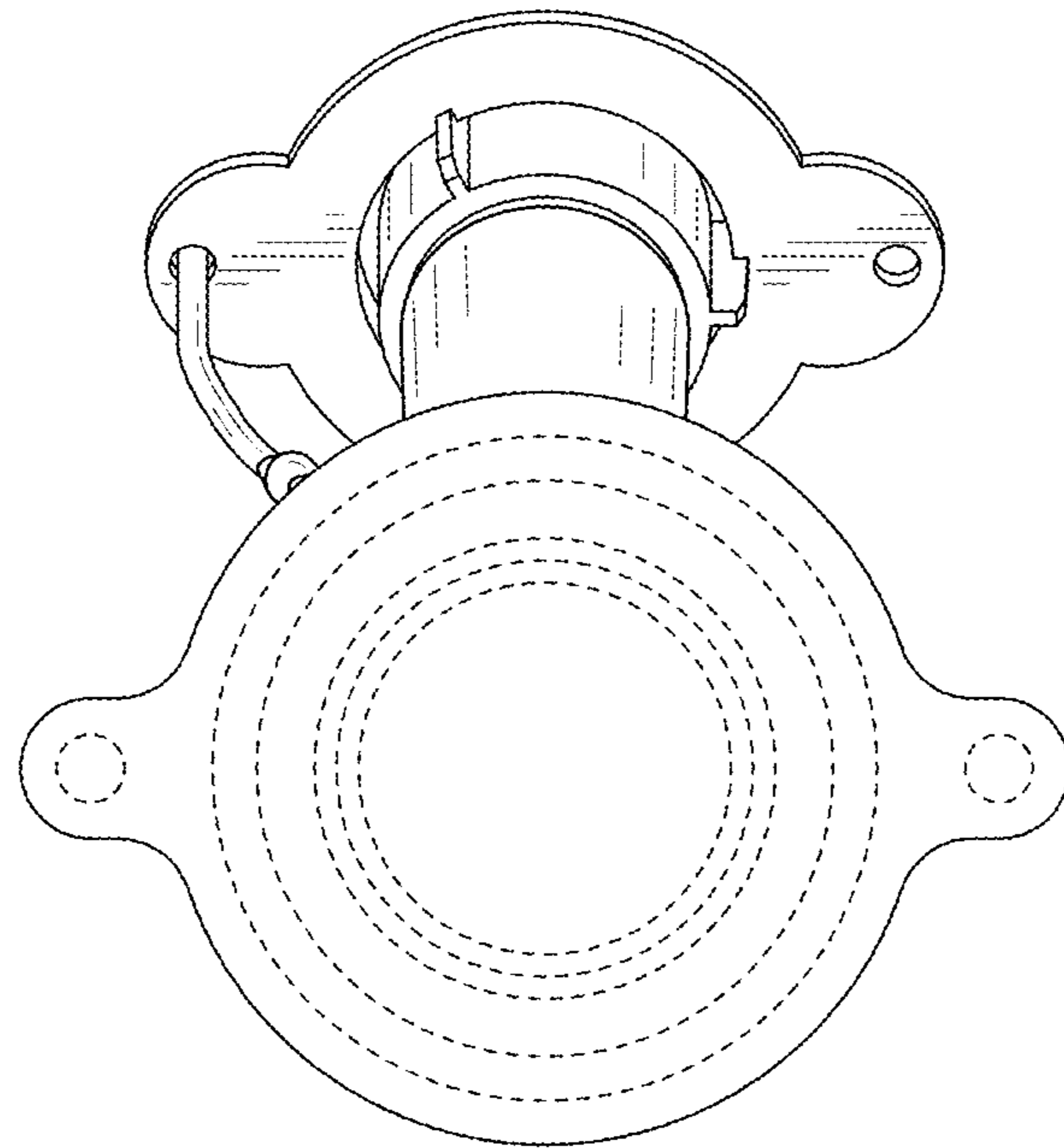


FIG. 7