



US00D953483S

(12) **United States Design Patent** (10) **Patent No.:** **US D953,483 S**
Schurle et al. (45) **Date of Patent:** **** May 31, 2022**

(54) **FAUCET STREAM STRAIGHTENER**

(71) Applicant: **Neoperl GmbH**, Mullheim (DE)

(72) Inventors: **Holger Schurle**, Mullheim (DE);
Wladimir Weiss, Gottenheim (DE)

(73) Assignee: **Neoperl GmbH**, Müllheim (DE)

(**) Term: **15 Years**

(21) Appl. No.: **29/758,603**

(22) Filed: **Nov. 17, 2020**

Related U.S. Application Data

(62) Division of application No. 35/507,389, filed on Mar. 8, 2019 (U.S. filing date under 35 U.S.C. 384), and having an international filing date of Mar. 8, 2019, now Pat. No. Des. 905,820.

(51) **LOC (13) Cl.** **23-01**

(52) **U.S. Cl.**
USPC **D23/213**
CPC **E03C 1/08** (2013.01)

(58) **Field of Classification Search**
USPC D23/213, 229, 233, 235, 247–249, 260,
D23/264
CPC B05B 7/0425; E03C 1/08; E03C 1/084;
E03C 1/086; E03C 2001/026
See application file for complete search history.

(56) **References Cited**

U.S. PATENT DOCUMENTS

D589,602 S 3/2009 Horiguchi
D753,792 S 4/2016 Blum
D776,240 S 1/2017 Huang
D776,242 S 1/2017 Blum
D788,264 S * 5/2017 Stein D23/213
D822,159 S 7/2018 Tempel
D833,583 S * 11/2018 Birmelin D23/260
D840,503 S * 2/2019 Stein D23/213

D844,104 S * 3/2019 Birmelin D23/213
D844,747 S * 4/2019 Blum D23/213
D844,748 S * 4/2019 Schürle D23/213
D849,888 S * 5/2019 Schürle D23/213
D851,208 S * 6/2019 Birmelin D23/213
D856,475 S 8/2019 Gessi
D857,842 S 8/2019 Yu
D858,700 S 9/2019 Staler
D861,129 S 9/2019 Logar
D863,502 S 10/2019 Hsieh
D863,503 S * 10/2019 Tempel D23/213
D864,350 S 10/2019 Logar
D865,908 S 11/2019 Hsieh
D865,909 S 11/2019 Hsieh
D866,709 S * 11/2019 Schurle D23/213
D866,710 S * 11/2019 Blum D23/213
D867,530 S * 11/2019 Vogeli D23/213
D868,936 S * 12/2019 Schurle D23/213
D871,553 S * 12/2019 Blum D23/249
D872,226 S * 1/2020 Stein D23/213

(Continued)

Primary Examiner — Richard E Chilcot

(74) *Attorney, Agent, or Firm* — Volpe Koenig

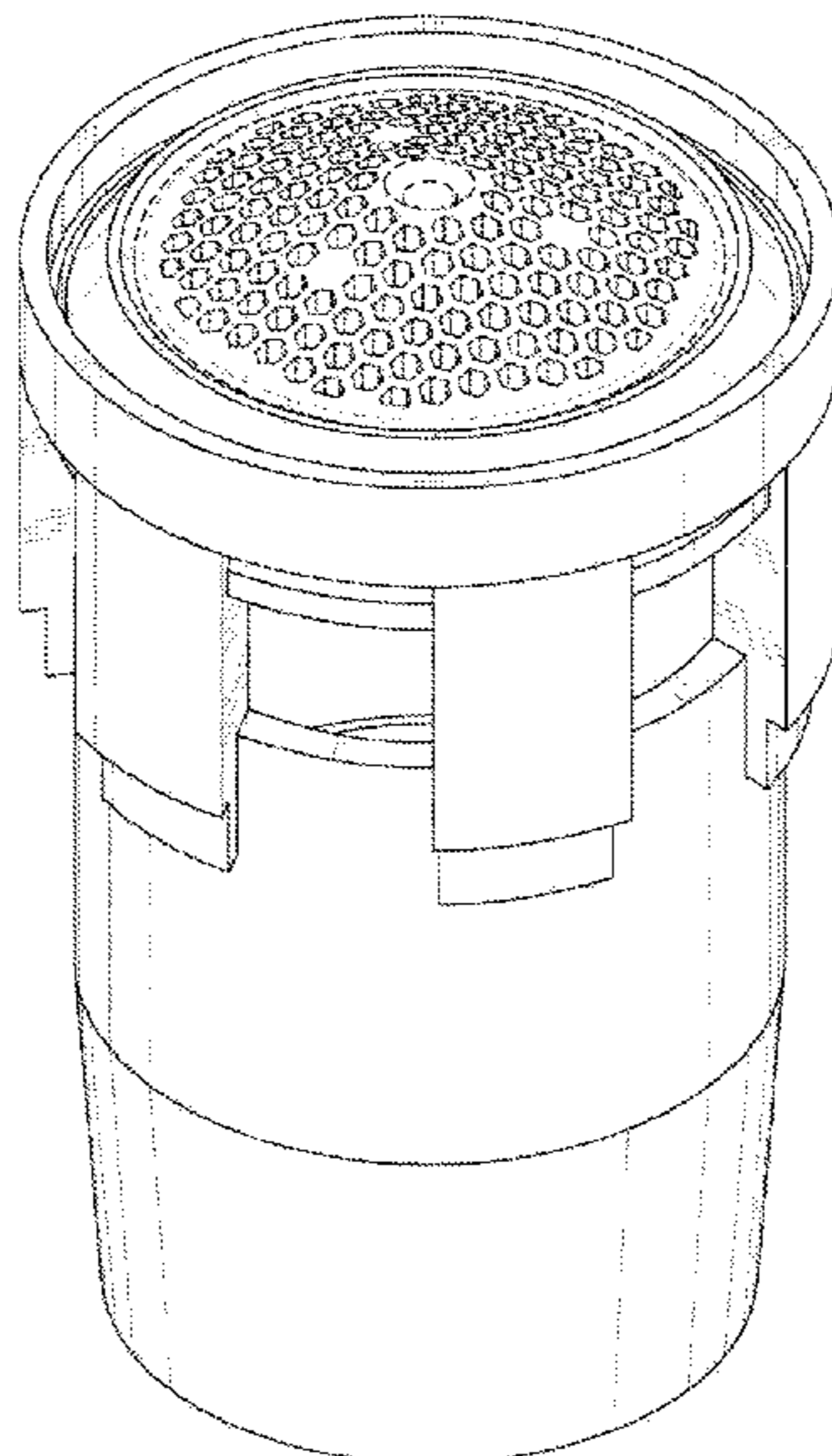
(57) **CLAIM**

The ornamental design for a faucet stream straightener, as shown and described.

DESCRIPTION

FIG. 1 is a top plan view of a faucet stream straightener in accordance with my design;
FIG. 2 is a top, front perspective view thereof;
FIG. 3 is a bottom plan view thereof;
FIG. 4 is a bottom, rear perspective view thereof;
FIG. 5 is a left side elevational view thereof;
FIG. 6 is a front elevational view thereof;
FIG. 7 is a right side elevational view thereof; and,
FIG. 8 is a rear elevational view thereof.
The broken lines represent portions of the faucet stream straightener in which the design is embodied that form no part of the claimed design.

1 Claim, 8 Drawing Sheets



(56)

References Cited

U.S. PATENT DOCUMENTS

D876,581 S	2/2020	Hsieh	
D876,583 S	2/2020	Hayner	
D879,245 S	3/2020	Eads	
D879,246 S	3/2020	Eads	
D879,247 S	3/2020	Staler	
D885,521 S	5/2020	Hayner	
D889,603 S	7/2020	Wu	
D891,579 S	7/2020	Cai	
D891,581 S	7/2020	Cheng	
D892,976 S	8/2020	Zhang	
D892,977 S	8/2020	Zhang	
D893,675 S	8/2020	Hayner	
D895,765 S *	9/2020	Vogeli	D23/213
D898,163 S *	10/2020	Tempel	D23/213
D905,820 S *	12/2020	WeiB	E03C 1/08
			D23/213
D906,478 S *	12/2020	Stein	E03C 1/08
			D23/213
D921,152 S *	6/2021	Blum	D23/249

* cited by examiner

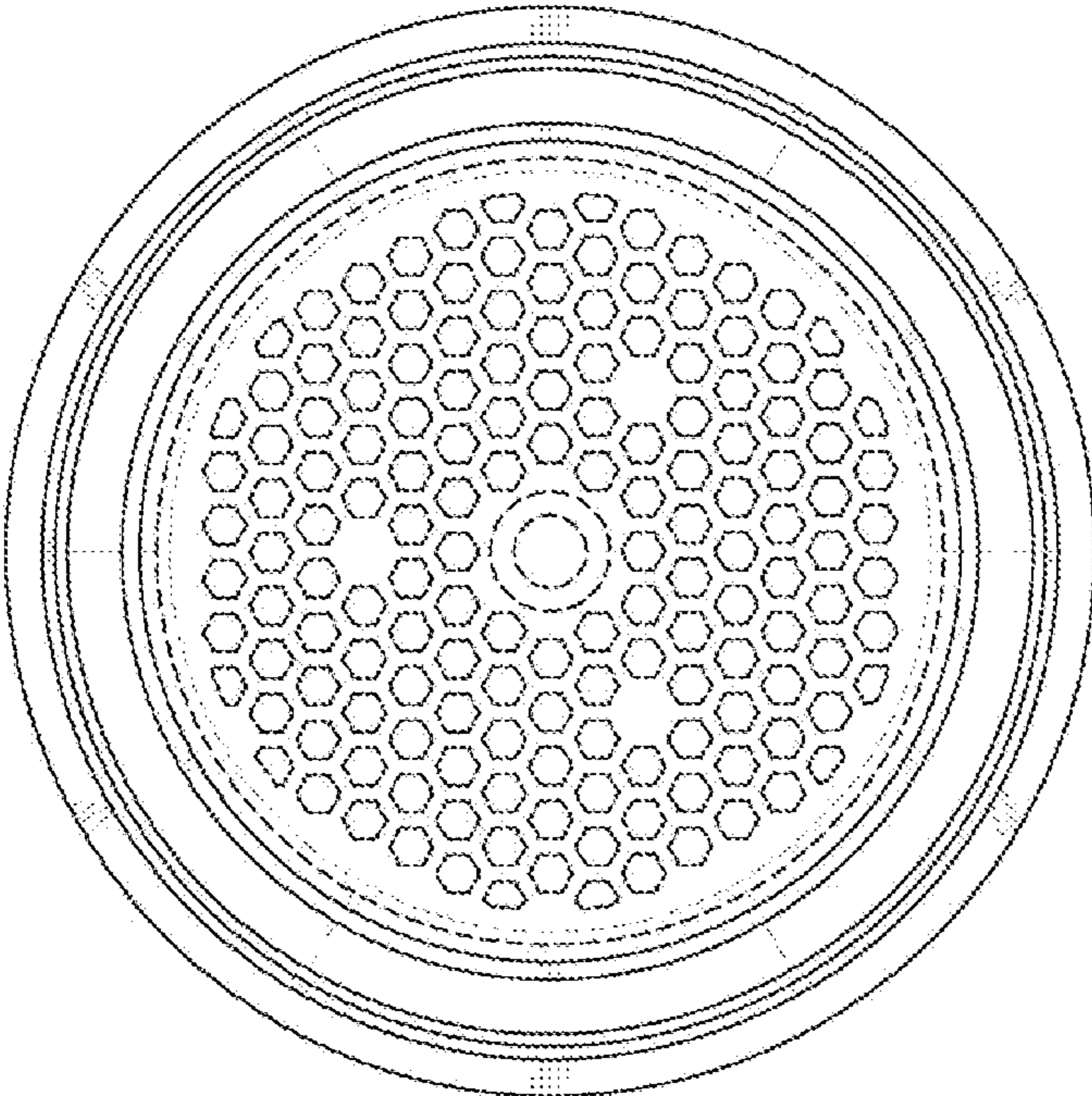


Fig. 1

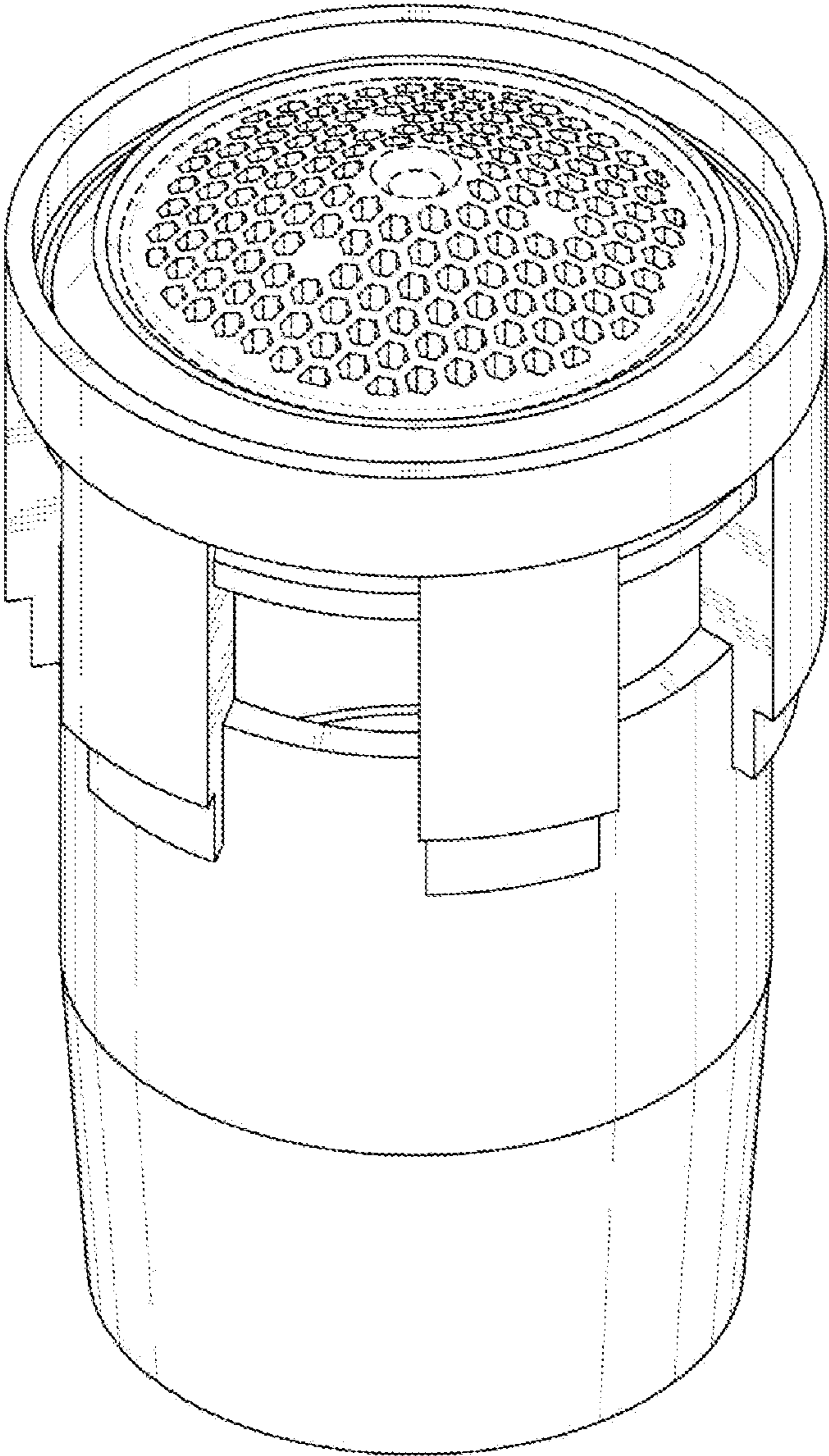


Fig. 2

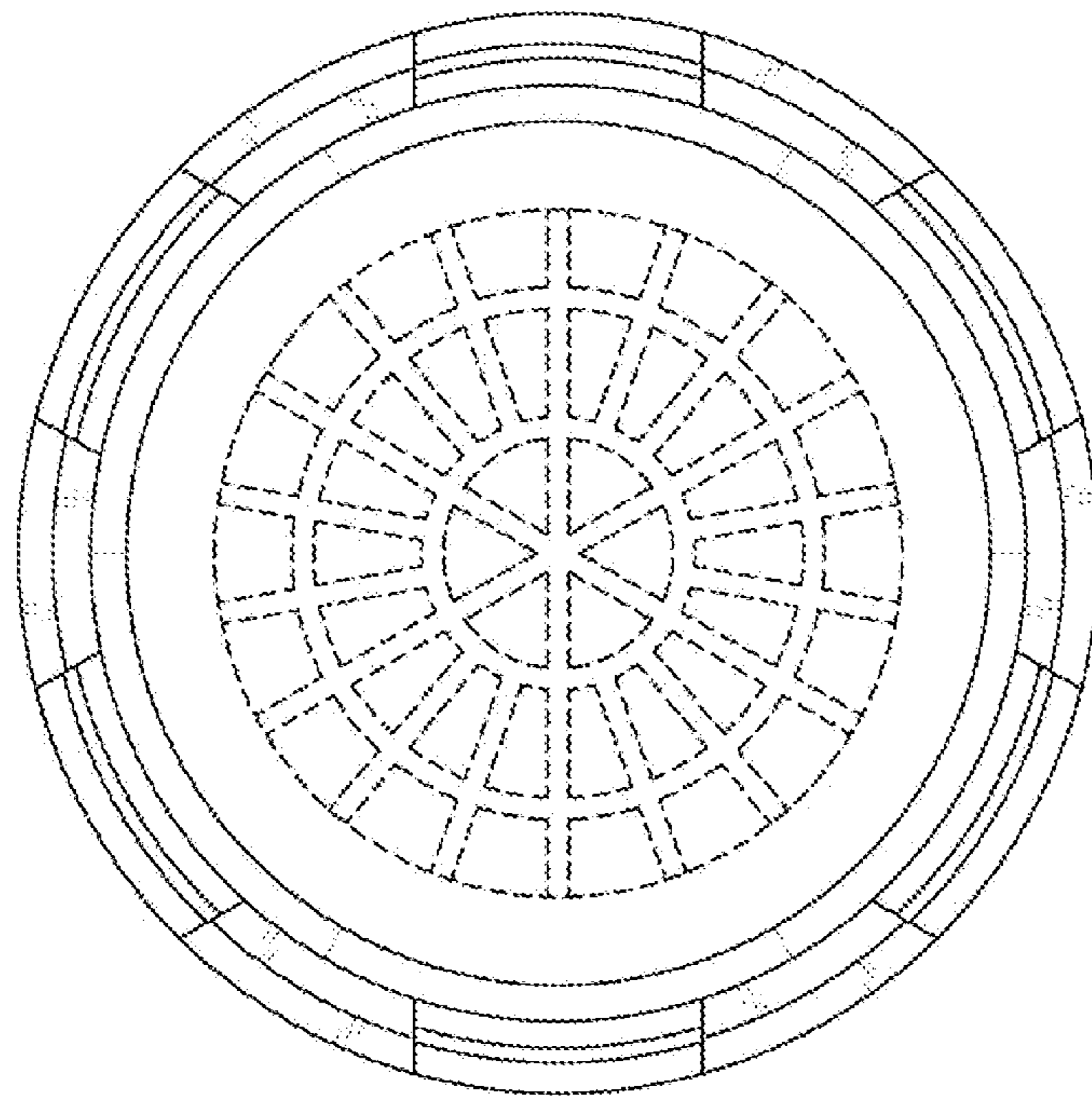


Fig. 3

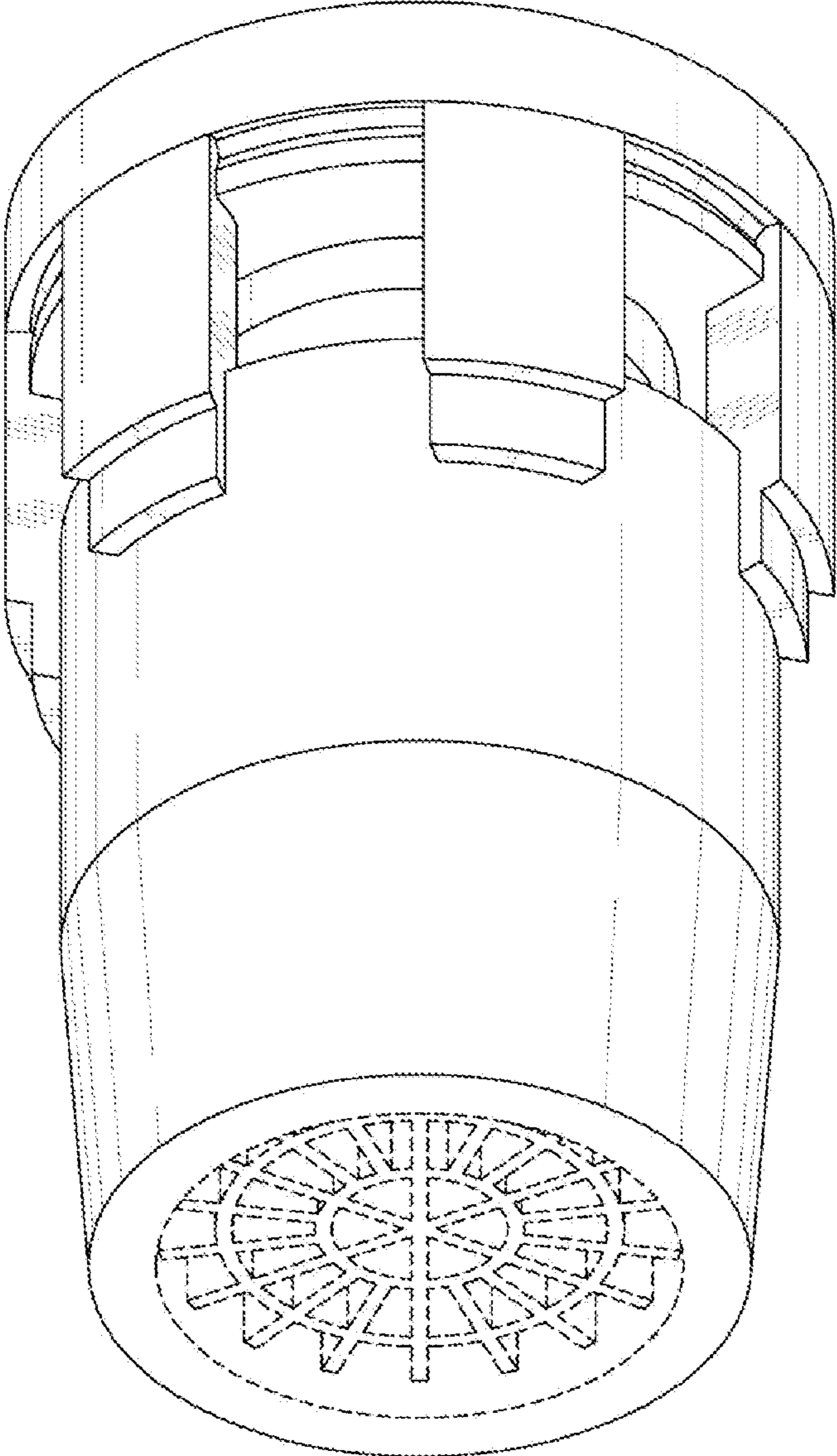


Fig. 4

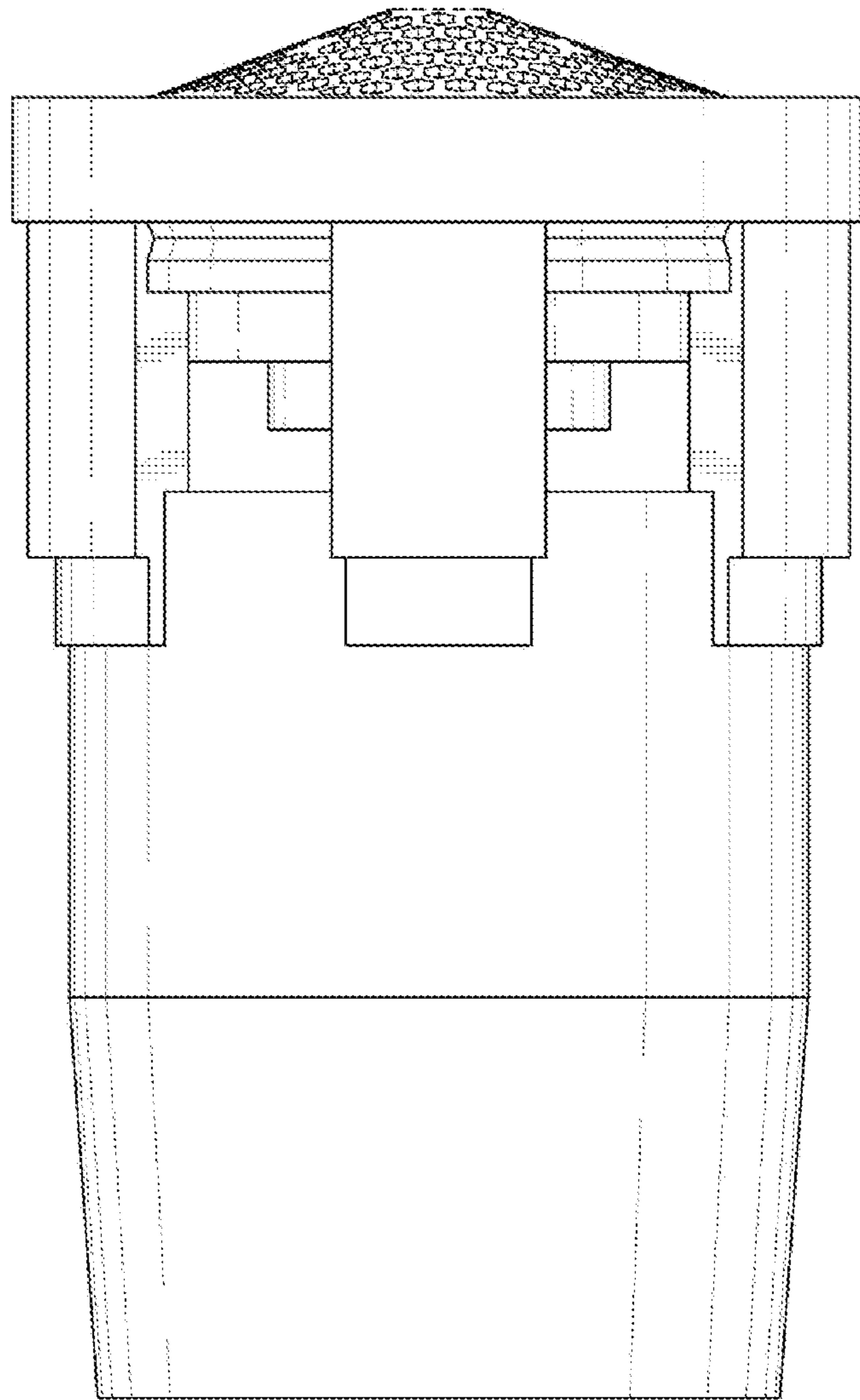


Fig. 5

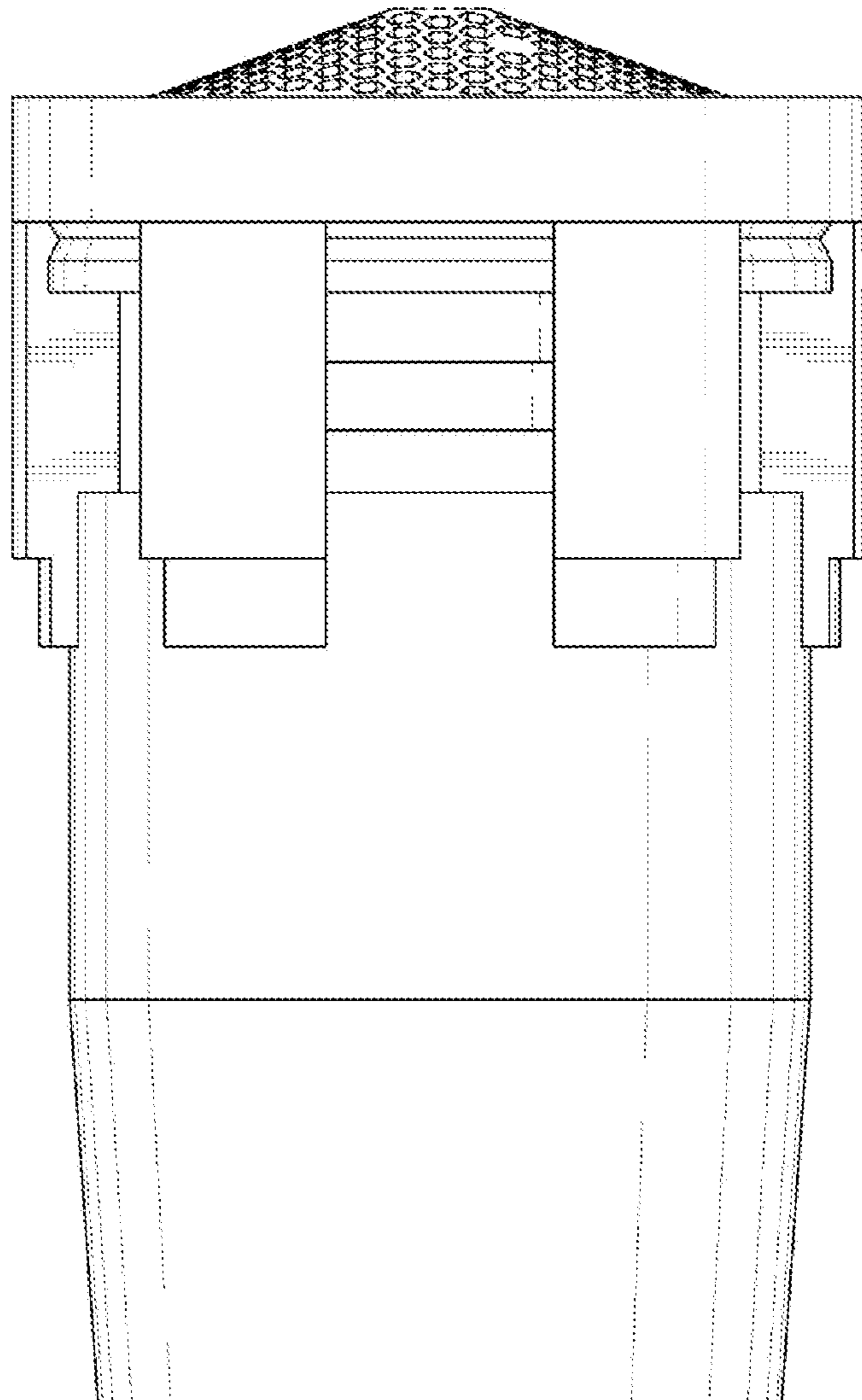


Fig. 6

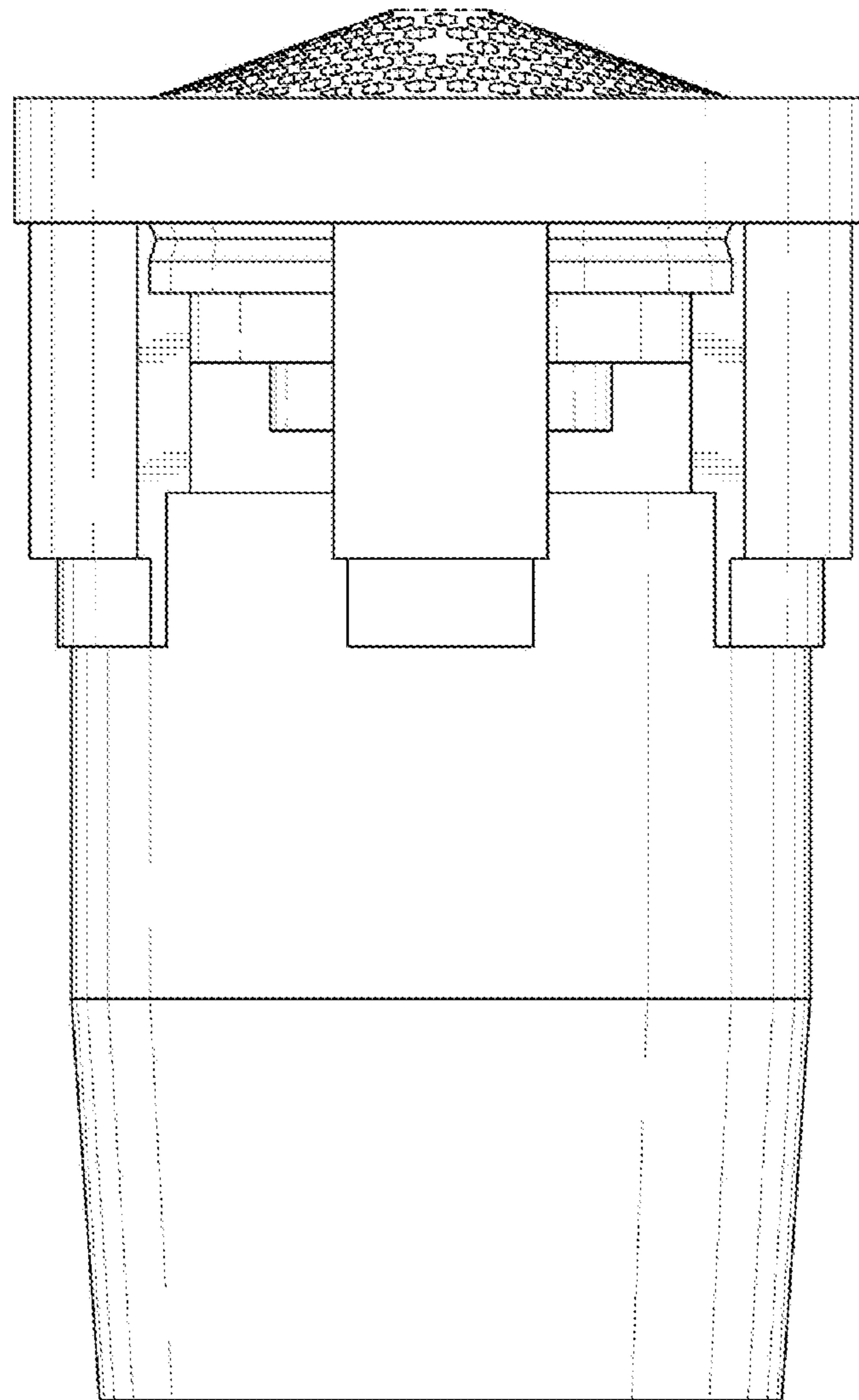


Fig. 7

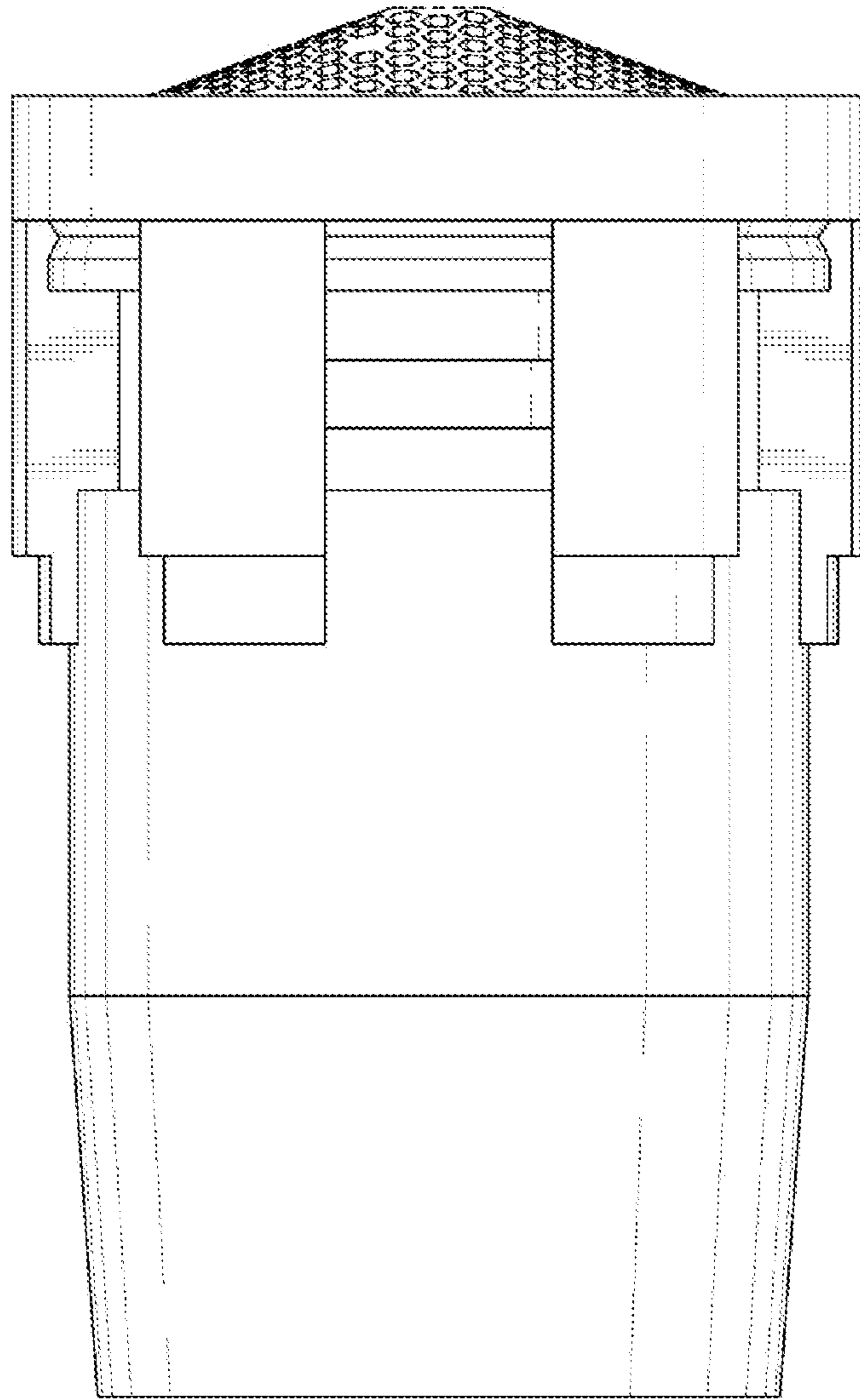


Fig. 8