



US00D953482S

(12) **United States Design Patent**
Mihlbauer et al.

(10) **Patent No.:** **US D953,482 S**
(45) **Date of Patent:** **** May 31, 2022**

- (54) **AQUARIUM SPOUT**
- (71) Applicant: **Central Garden & Pet Company,**
Walnut Creek, CA (US)
- (72) Inventors: **Brad L. Mihlbauer,** Mukwonago, WI
(US); **Ernie Katris,** Franklin, WI (US)
- (73) Assignee: **Central Garden & Pet Company,**
Walnut Creek, CA (US)
- (**) Term: **15 Years**
- (21) Appl. No.: **29/733,647**
- (22) Filed: **May 5, 2020**
- (51) **LOC (13) Cl.** **23-01**
- (52) **U.S. Cl.**
USPC **D23/210**
- (58) **Field of Classification Search**
USPC D30/101-107; D23/206, 210, 231, 232,
D23/263, 266; D15/7
CPC A01K 63/003; A01K 63/006; A01K 63/04;
A01K 63/042; A01K 63/045; A01K
63/047
See application file for complete search history.

D505,711 S * 5/2005 Wu D23/210
7,544,290 B2 * 6/2009 Pulice A01K 63/006
210/167.26
D900,286 S * 10/2020 Daughters D23/262
(Continued)

OTHER PUBLICATIONS

Alexnld, HBL-803AQUARIUM Filter External Power Filter Tank Plastic 220V, (site visited Mar. 17, 2022), Alexnld.com website, URL:<<https://alexnld.com/product/aquarium-filter-external-power-filter-tank-plastic-220v/>> (Year: 2022).
(Continued)

Primary Examiner — Calvin E Vansant
Assistant Examiner — Mark T. Philipps

(57) **CLAIM**

We claim the ornamental design of an aquarium spout, as shown and described.

DESCRIPTION

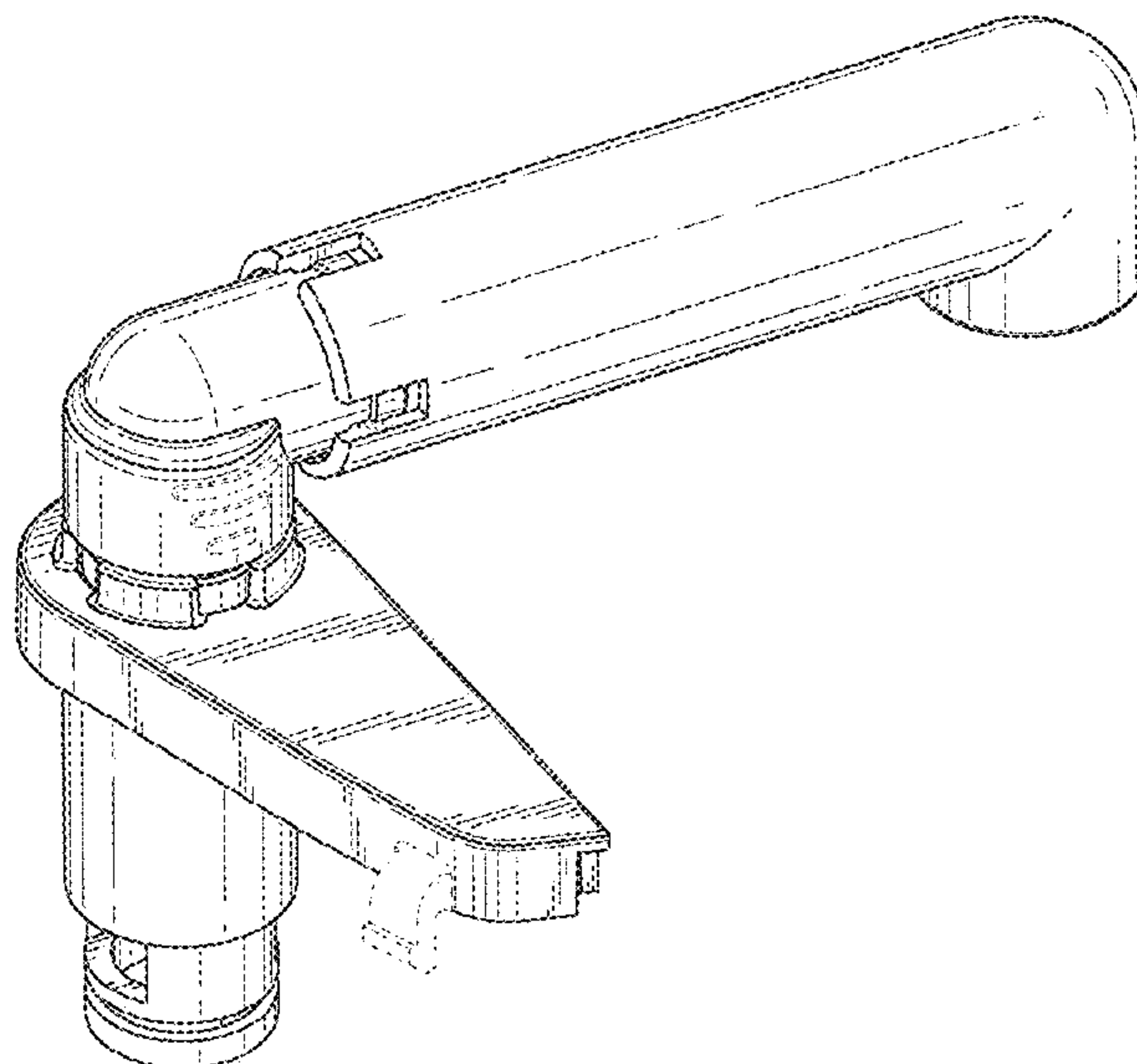
FIG. 1 is a perspective view of an aquarium spout in a fully retracted and on position embodying the invention. FIG. 2 is a first side view of the aquarium spout of FIG. 1. FIG. 3 is a second side view of the aquarium spout of FIG. 1. FIG. 4 is a rear view of the aquarium spout of FIG. 1. FIG. 5 is a front view of the aquarium spout of FIG. 1. FIG. 6 is a top view of the aquarium spout of FIG. 1. FIG. 7 is a bottom view of the aquarium spout of FIG. 1. FIG. 8 is a perspective view of the aquarium spout in a fully extended and on position; and, FIG. 9 is a perspective view of the aquarium spout in the fully retracted and off position. The aquarium spout being transitionable between the arrangement of FIGS. 1, 8, and 9. The broken lines in the drawings depict portions of the aquarium spout that form no part of the claim.

1 Claim, 9 Drawing Sheets

(56) **References Cited**

U.S. PATENT DOCUMENTS

- D218,825 S * 9/1970 Blumer D23/263
- 4,735,715 A * 4/1988 Willinger A01K 63/047
417/373
- 5,098,585 A * 3/1992 Woltman A01K 63/045
210/123
- D342,130 S * 12/1993 Anderson D23/263
- 5,290,436 A * 3/1994 Danner A01K 63/045
210/416.2
- 5,397,463 A * 3/1995 Woltmann A01K 63/045
119/260
- D396,391 S * 7/1998 Rein D8/21
- 5,965,016 A * 10/1999 Suchowski C02F 3/085
119/260



(56)

References Cited

U.S. PATENT DOCUMENTS

D942,584 S * 2/2022 Li D23/210
D945,711 S * 3/2022 Mhlbauer D30/107
2007/0138075 A1* 6/2007 Chang A01K 63/045
119/260
2014/0027372 A1* 1/2014 Keiter E03C 1/048
210/420
2014/0238914 A1* 8/2014 Newman A01K 63/045
210/264
2018/0139936 A1* 5/2018 Lutz A01K 63/006

OTHER PUBLICATIONS

Elenxs, 3 In 1 Portable Silent Aquarium Internal Filter Oxygen Submersible Fish Tank Water Pump, (site visited Mar. 16, 2022), Shopee.ph website, URL:<<https://shopee.ph/3-In-1-Portable-Silent-Aquarium-Internal-Filter-Oxygen-Submersible-Fish-Tank-Water-Pump-i.38579075.2645061369>> (Year: 2022).*

Boat Outfitters, 90 Degree 12" Overflow Drain Tube, (site visited Mar. 16, 2022), Boatoutfitters.com website, URL:<<https://www.boatoutfitters.com/90-degree-12-overflow-drain-tube>> (Year: 2022).*

* cited by examiner

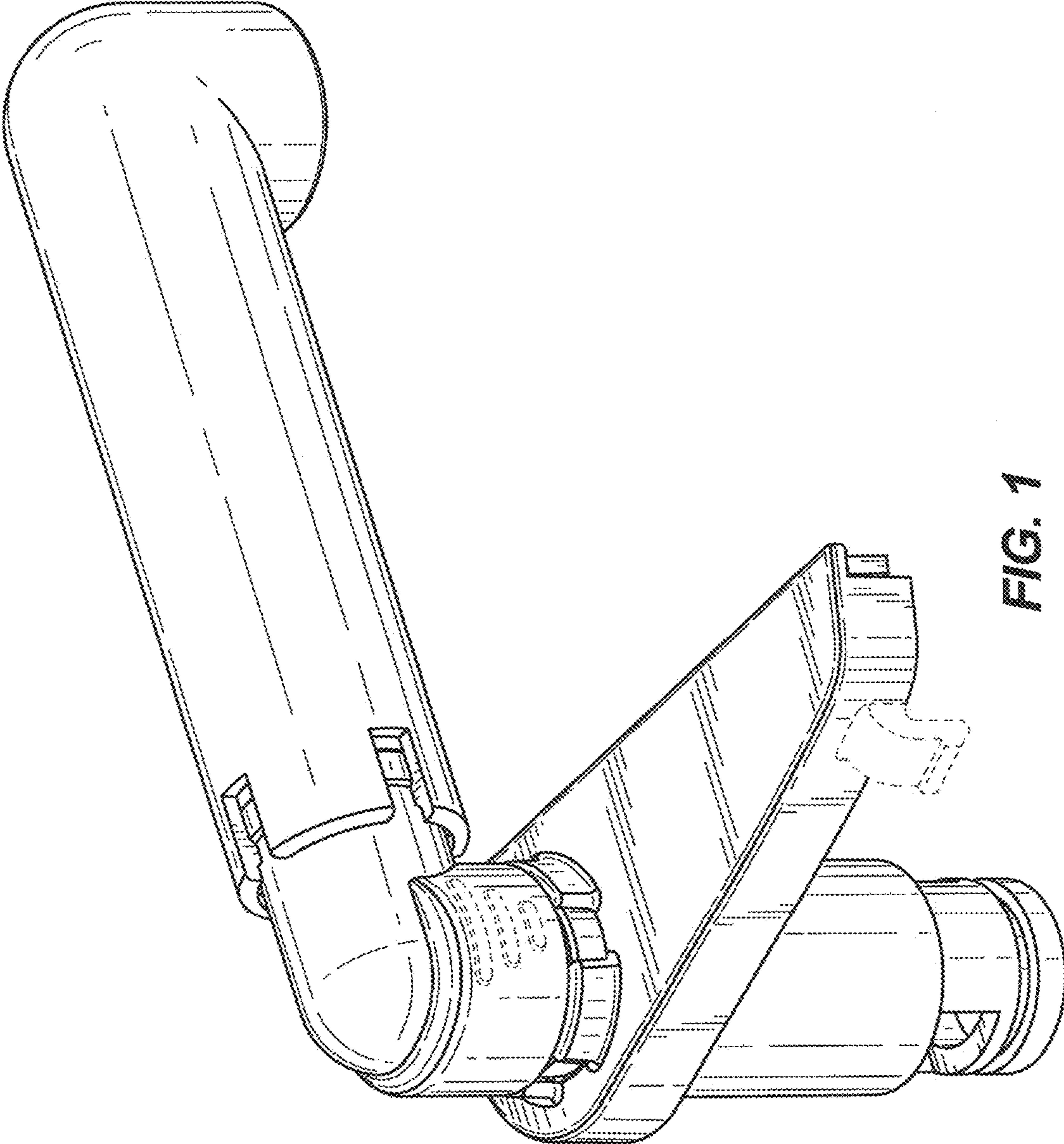


FIG. 1

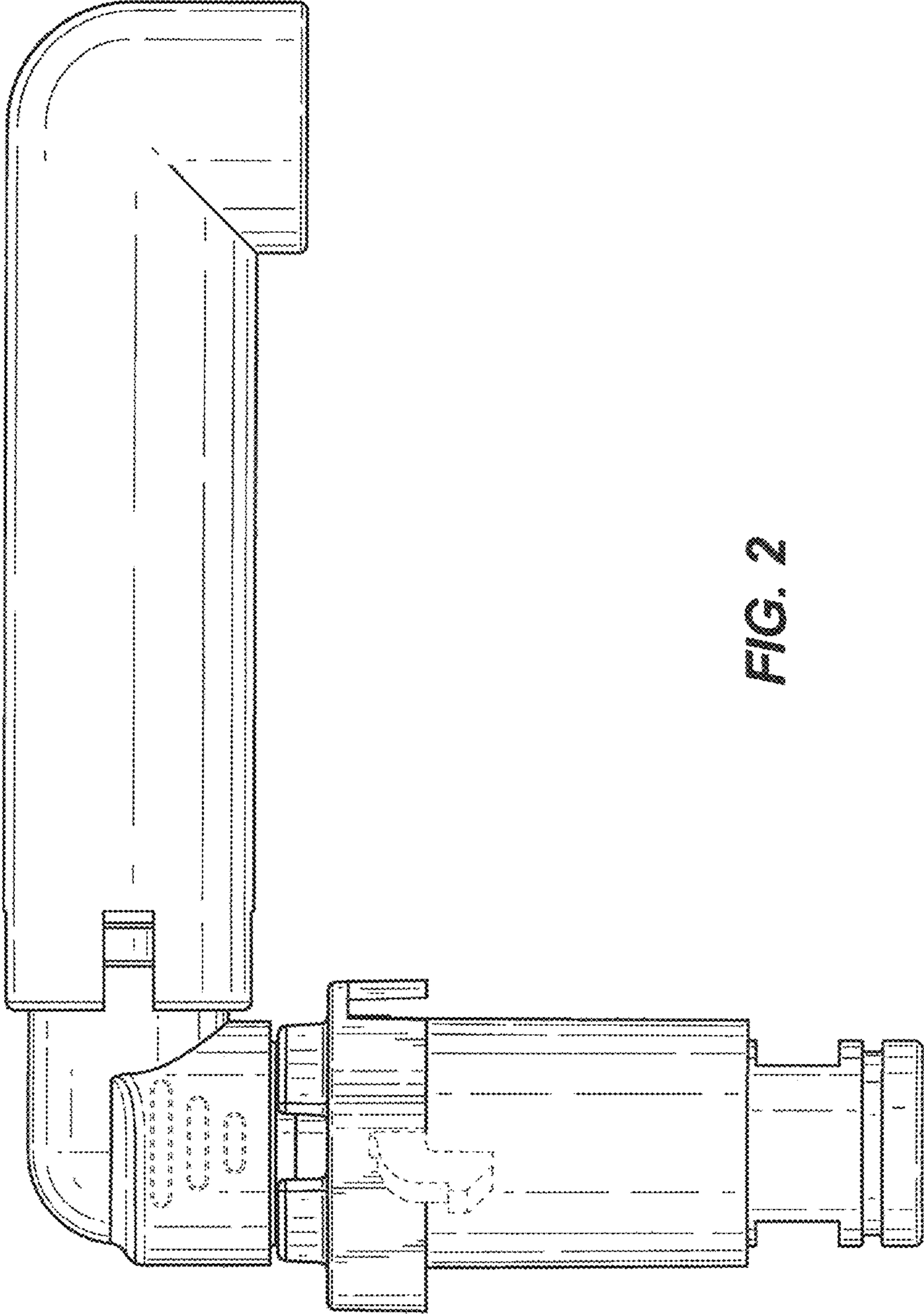


FIG. 2

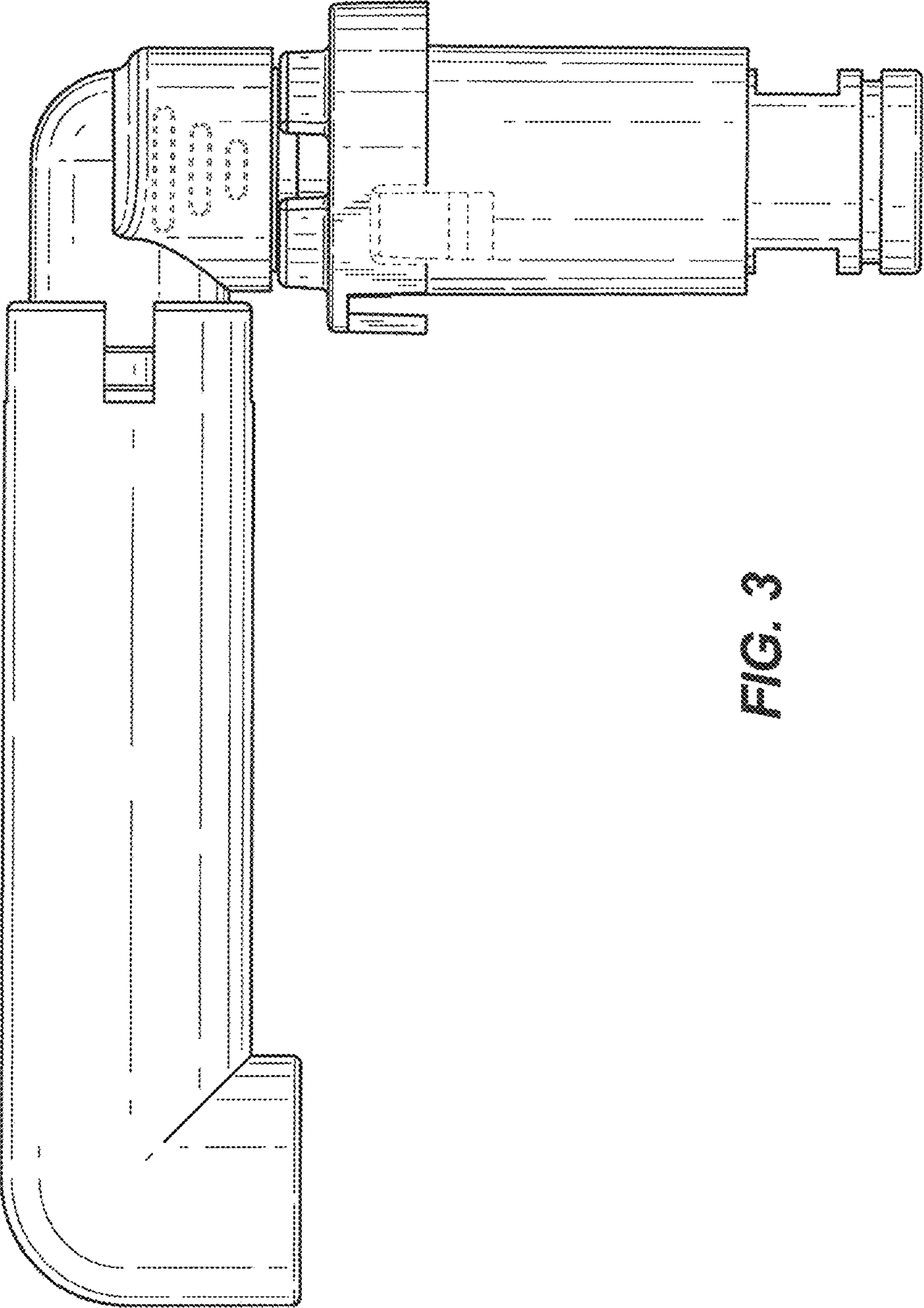


FIG. 3

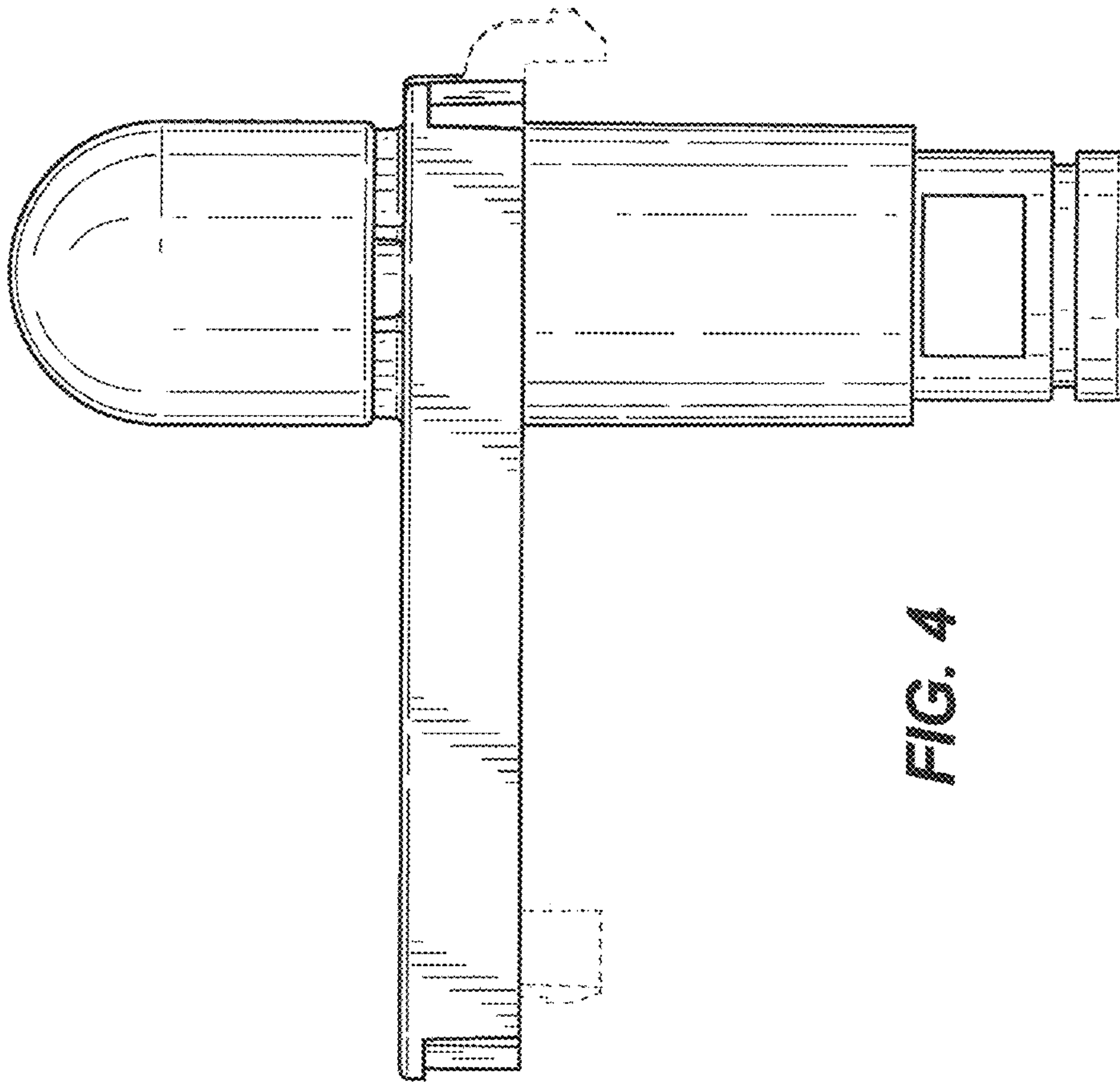


FIG. 4

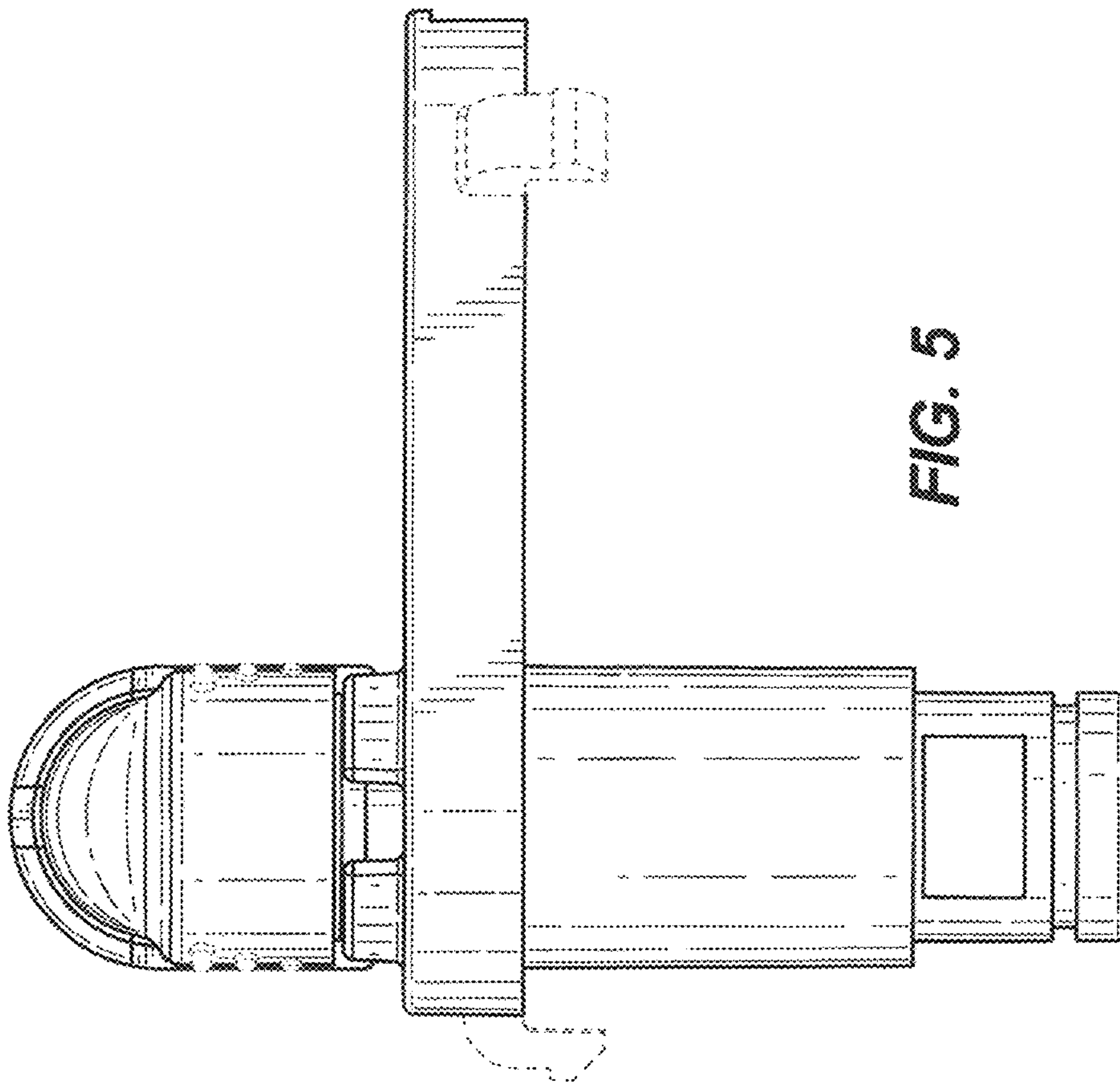


FIG. 5

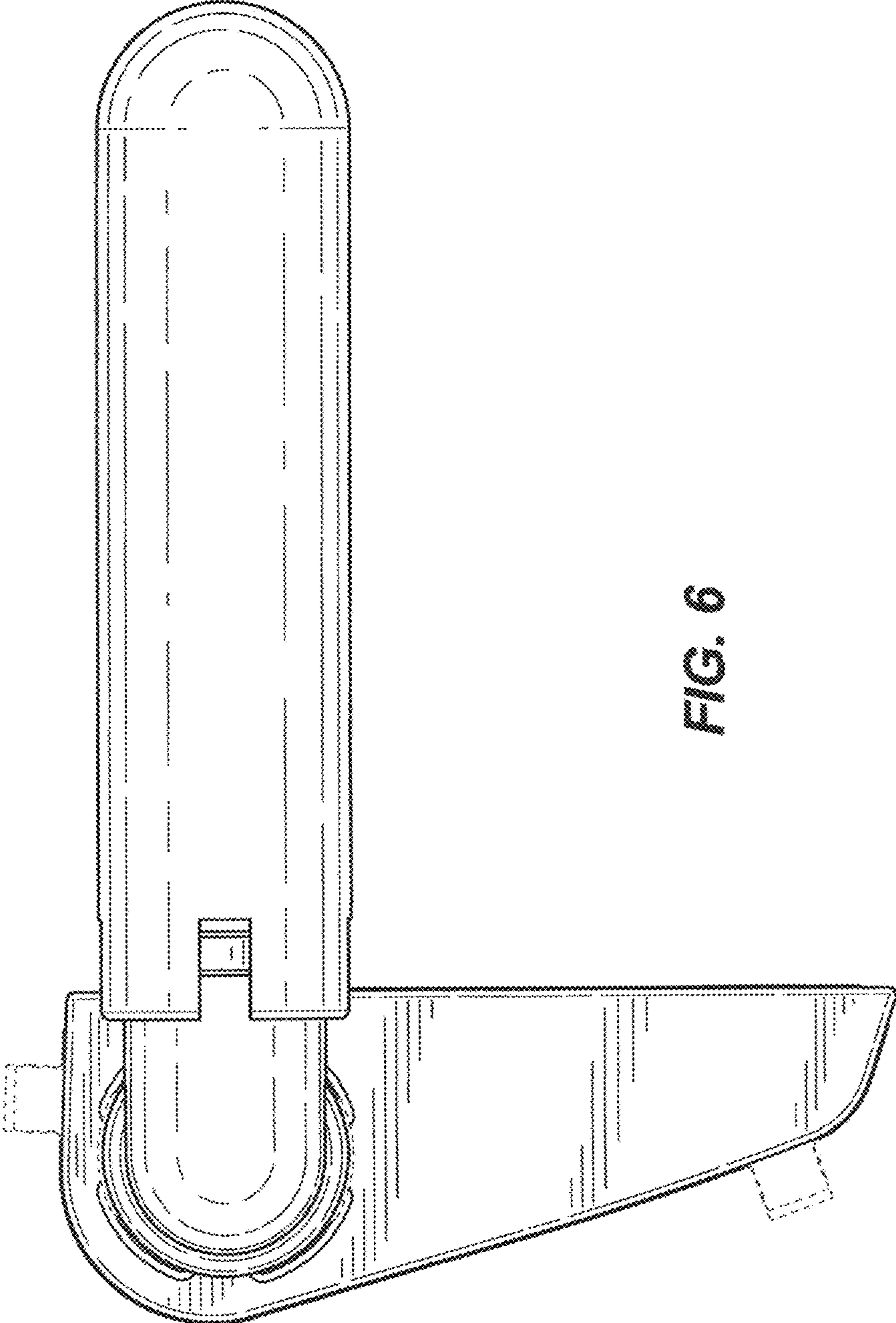


FIG. 6

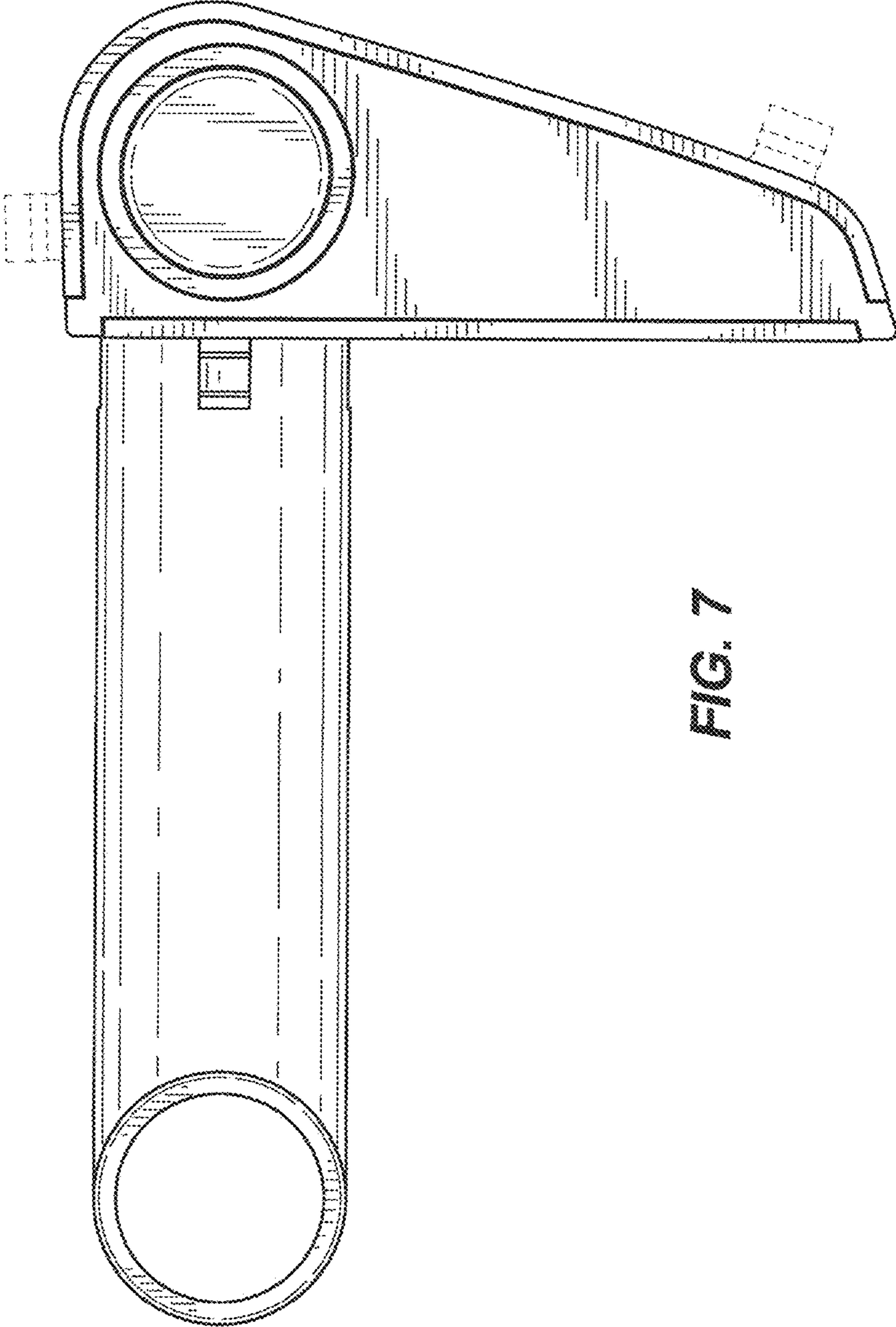


FIG. 7

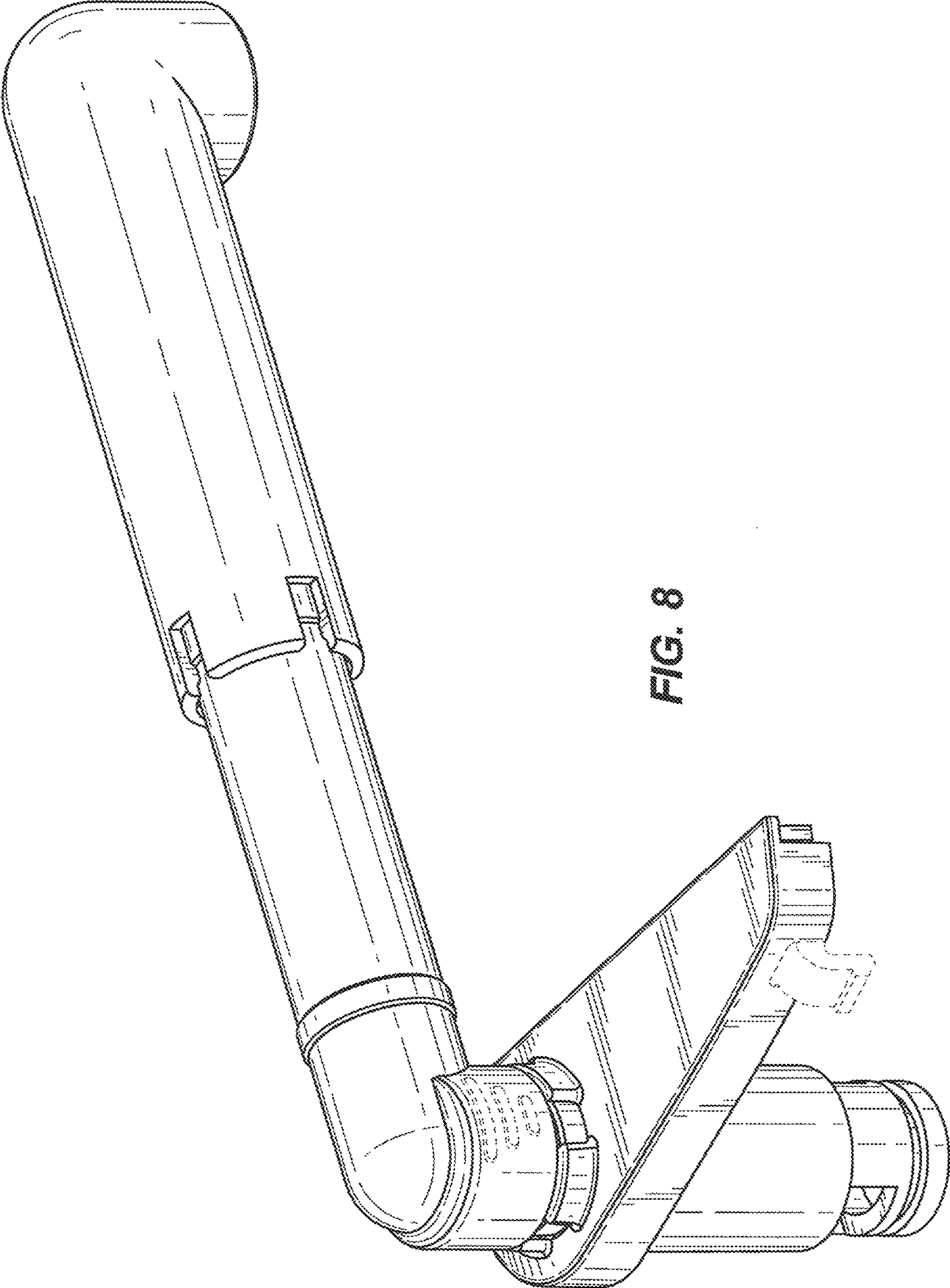


FIG. 8

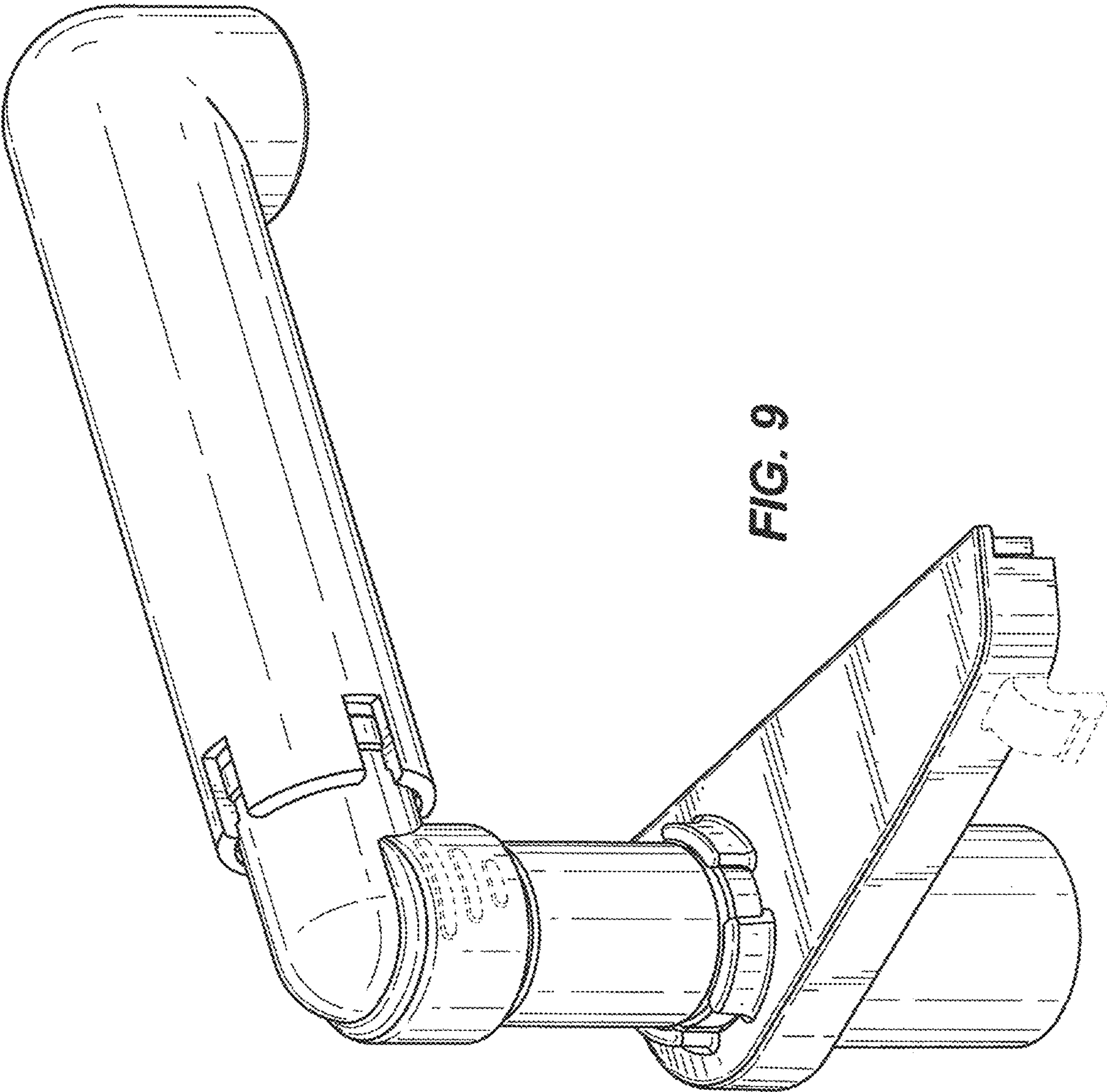


FIG. 9