



US00D953480S

(12) **United States Design Patent** (10) **Patent No.:** **US D953,480 S**
Kim (45) **Date of Patent:** **** May 31, 2022**

(54) **PORTABLE POLYURETHANE FOAM DISPENSER**

(71) Applicant: **Hyung Goo Kim**, Goyang-si (KR)

(72) Inventor: **Hyung Goo Kim**, Goyang-si (KR)

(**) Term: **15 Years**

(21) Appl. No.: **29/724,804**

(22) Filed: **Feb. 19, 2020**

(30) **Foreign Application Priority Data**

Sep. 5, 2019 (KR) 30-2019-0042868

(51) **LOC (13) Cl.** **23-01**

(52) **U.S. Cl.**
USPC **D23/207**

(58) **Field of Classification Search**
USPC D23/205, 206, 207, 213, 223, 225, 226,
D23/356, 360; D15/9, 9.1, 9.2, 135
CPC .. B05B 5/025; B05B 5/03; B05B 5/16; B05B
5/1691; B05B 7/0018; B05B 7/0093;
B05B 7/02; B05B 7/06; B05B 7/062;
B05B 7/064; B05B 7/12; B05B 7/129;
B05B 7/24; B05B 7/2475; B05B 7/2478;
B05B 15/60; B05B 15/63; B05B 9/01;
B05B 12/085; B05B 12/1418

See application file for complete search history.

(56) **References Cited**

U.S. PATENT DOCUMENTS

4,534,802 A * 8/1985 Gates B05B 15/00
134/22.12
D332,993 S * 2/1993 Dea D23/207
D352,090 S * 11/1994 Dea D23/207
5,388,761 A * 2/1995 Langeman B01F 15/00285
222/138
D424,660 S * 5/2000 Teran D23/207
D428,468 S * 7/2000 Dea D23/200

D445,869 S * 7/2001 McKinney D23/207
D480,447 S * 10/2003 Cook D23/200
D480,448 S * 10/2003 Cook D23/207
D490,496 S * 5/2004 Cook D23/207
D520,595 S * 5/2006 Johnson D23/207
D521,593 S * 5/2006 Mitsis D23/207
D539,383 S * 3/2007 Donald D23/207
D665,875 S * 8/2012 Bingham D23/235
D748,221 S * 1/2016 Kemper D23/207
D754,813 S * 4/2016 Kuepper D23/207
9,849,475 B2 * 12/2017 Pellin B29B 7/7433
10,449,657 B2 * 10/2019 LeCompte F17C 13/04
2003/0192963 A1 * 10/2003 Ebberts B01F 3/088
239/413

(Continued)

OTHER PUBLICATIONS

Graco Fusion CS Daily Start Up, Jun. 1, 2010, YouTube, site visited
Sep. 20, 2021: <https://www.youtube.com/watch?v=EI-RA1zwnAw>
(Year: 2010).*

(Continued)

Primary Examiner — Jack Reickel
Assistant Examiner — Bobby W Jones, II
(74) *Attorney, Agent, or Firm* — Fish & Richardson P.C.

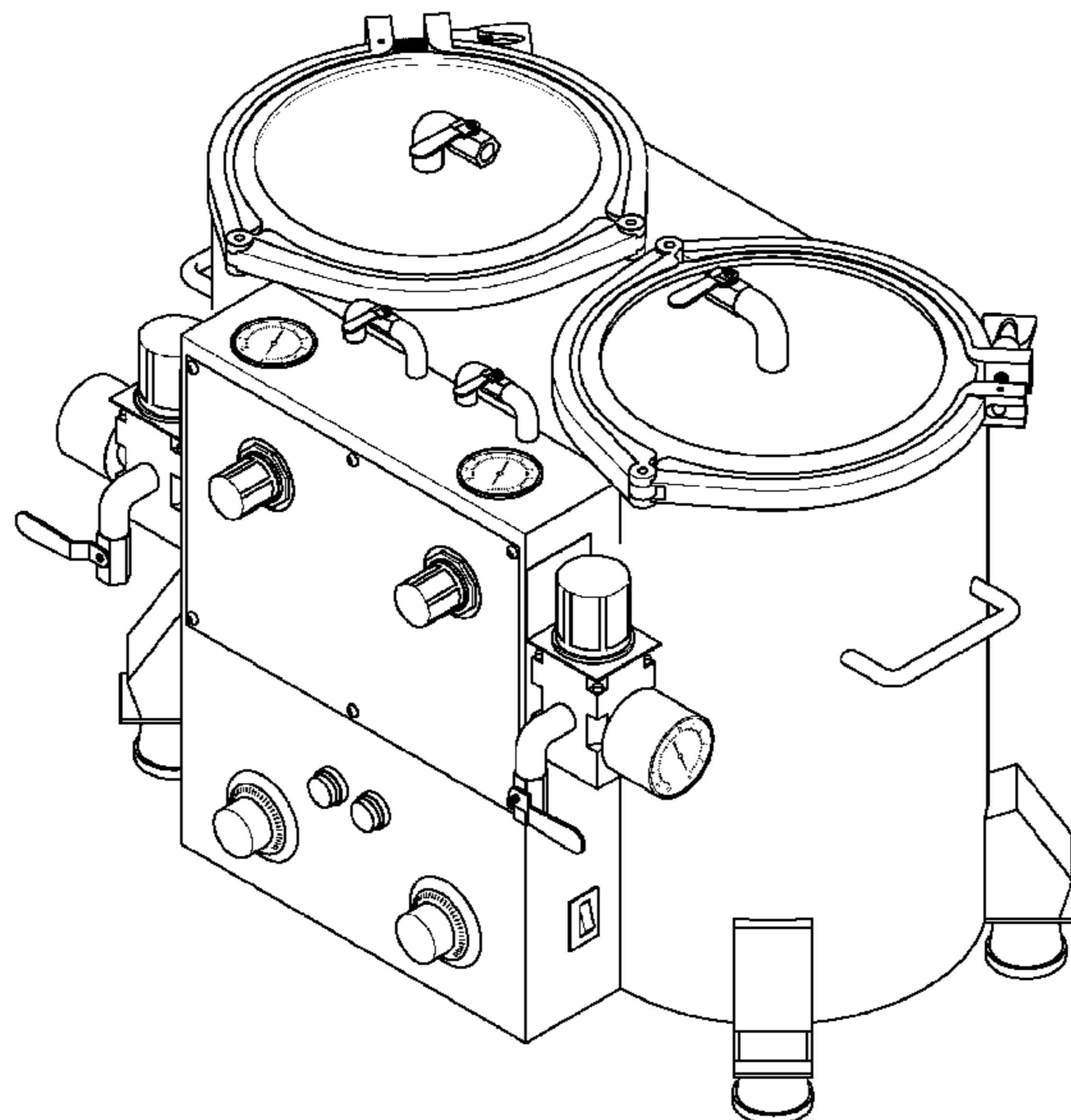
(57) **CLAIM**

The ornamental design for a portable polyurethane foam dispenser, as shown and described.

DESCRIPTION

FIG. 1 is a perspective view of the portable polyurethane foam dispenser;
FIG. 2 is a front view thereof;
FIG. 3 is a rear view thereof;
FIG. 4 is a left side view thereof;
FIG. 5 is a right side view thereof;
FIG. 6 is a top view thereof; and,
FIG. 7 is a bottom view thereof.

1 Claim, 7 Drawing Sheets



(56)

References Cited

U.S. PATENT DOCUMENTS

2005/0103889 A1* 5/2005 Langeman B05B 15/55
239/303
2010/0122745 A1* 5/2010 Thomason B05B 7/32
137/587
2013/0064696 A1* 3/2013 McCormick B67D 99/00
417/360
2013/0269807 A1* 10/2013 Drozd B05B 12/1418
137/594
2020/0038883 A1* 2/2020 Roos B05B 9/0413
2020/0230629 A1* 7/2020 Waelder B05B 7/0408
2020/0346256 A1* 11/2020 Reynolds, Jr. B08B 3/02

OTHER PUBLICATIONS

Pusmak KPX16-P220, Feb. 20, 2017, Facebook, site visited Sep. 20, 2021: <https://www.facebook.com/pusmaksocial/photos/a.1935889993300851/1946567228899794/> (Year: 2017).*

'www.graco.com' [online] "1.20:1 Ratio HFR Package with 60/50 pump" Available on or before May 28, 2020 [Retrieved on May 28, 2020] Retrieved from Internet: URL<<https://www.graco.com/us/en/in-plant-manufacturing/product/hf104.html>> 3 pages.

* cited by examiner

Fig. 1

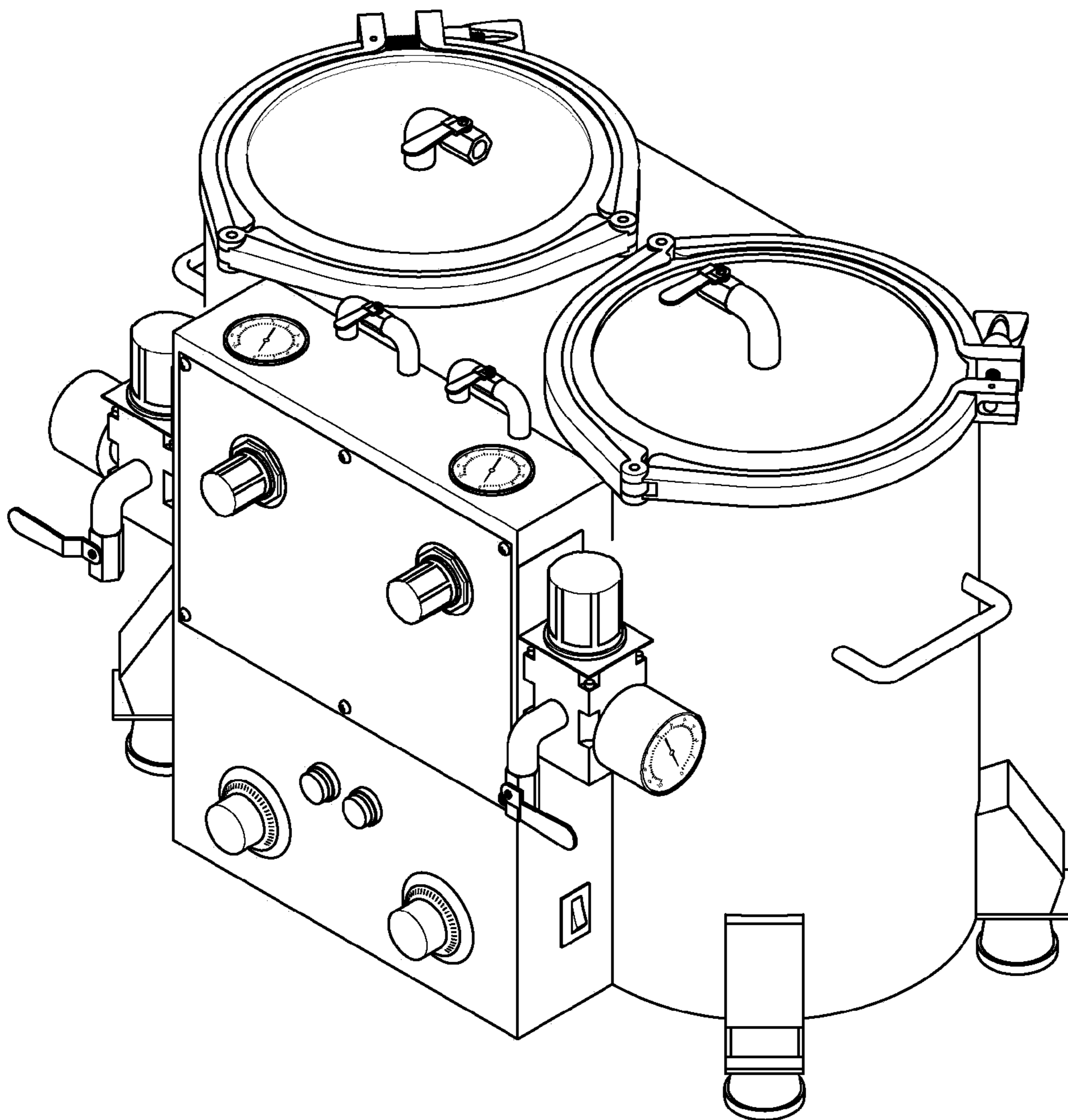


Fig. 2

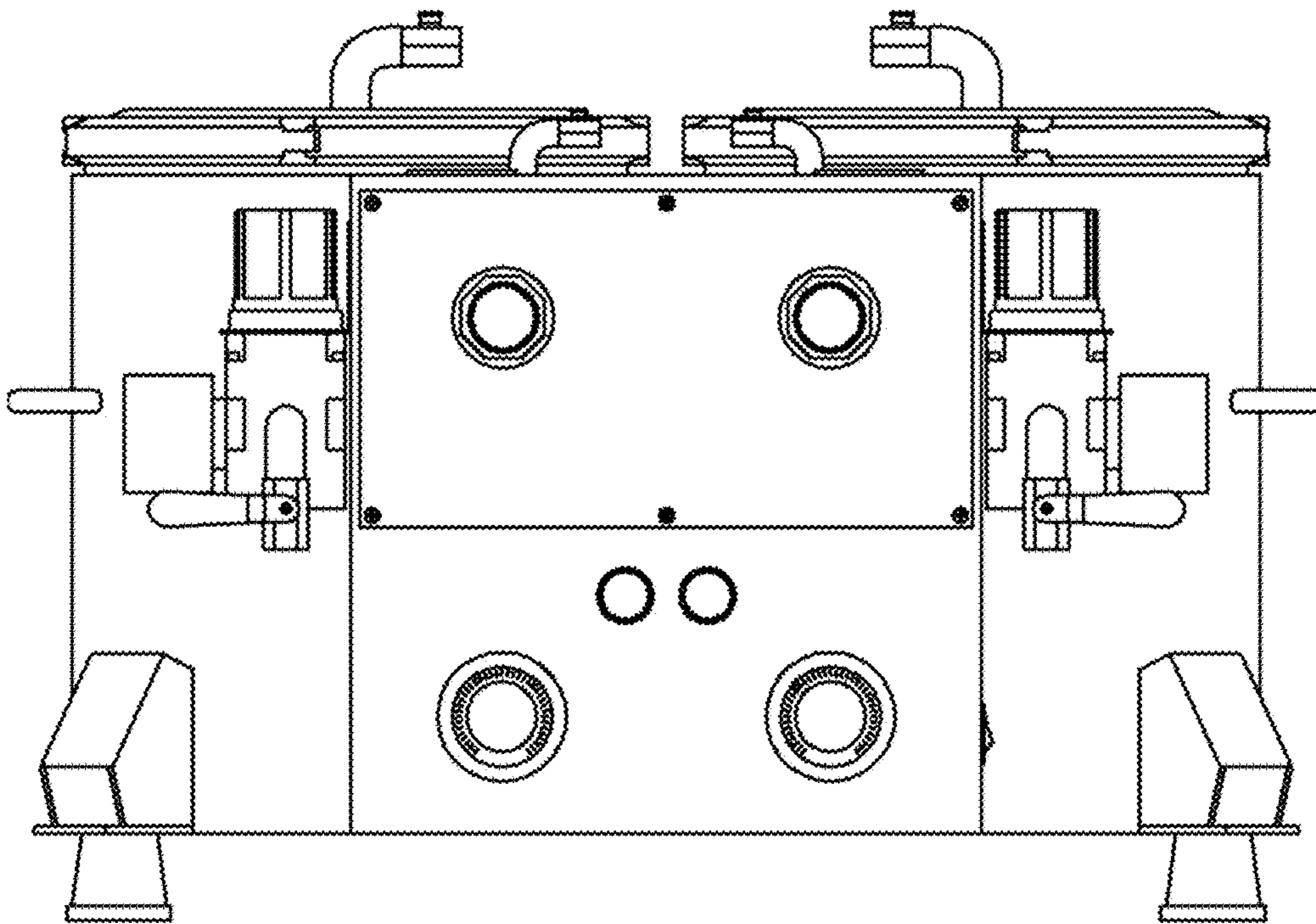


Fig 3

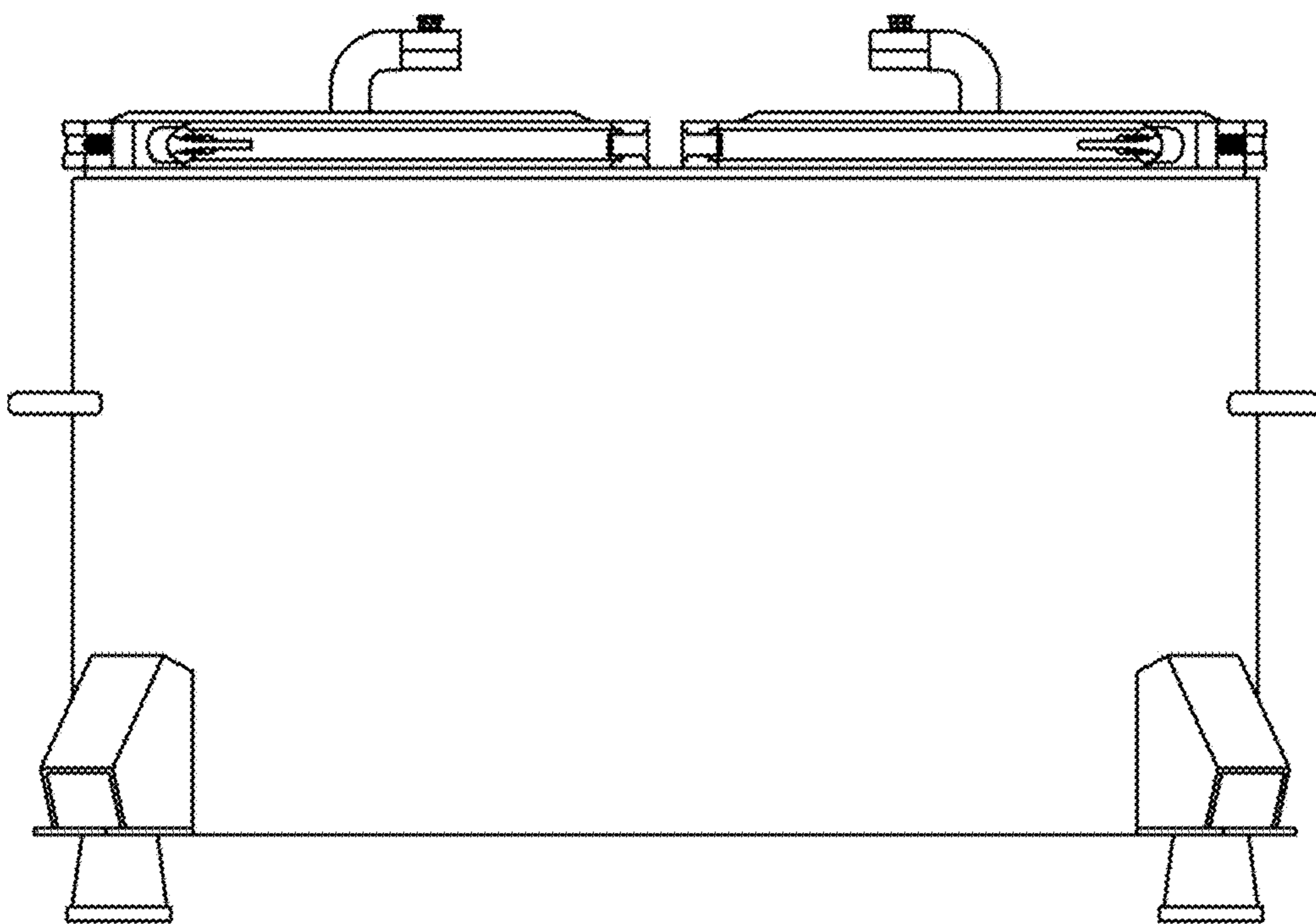


Fig. 4

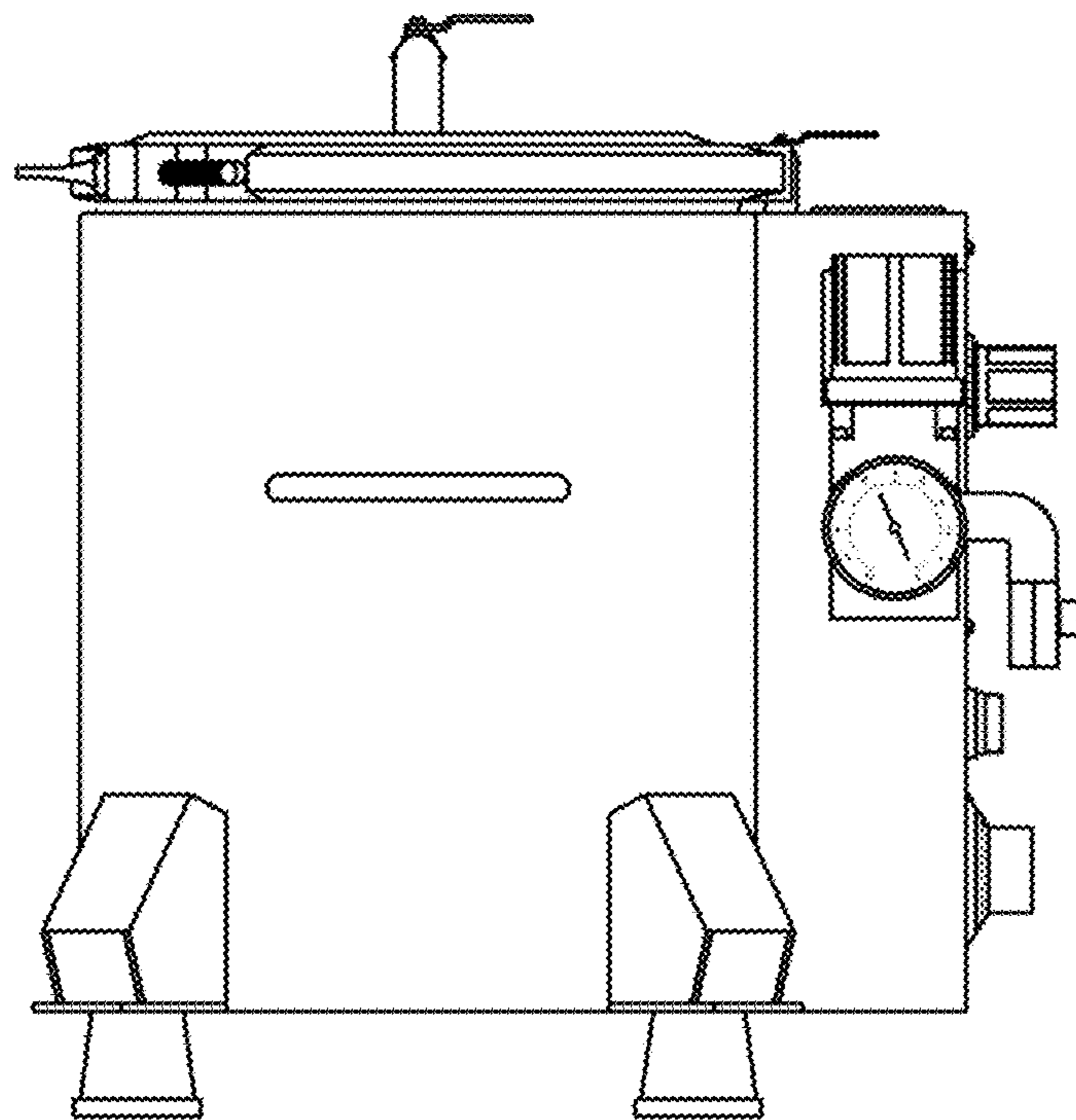


Fig. 5

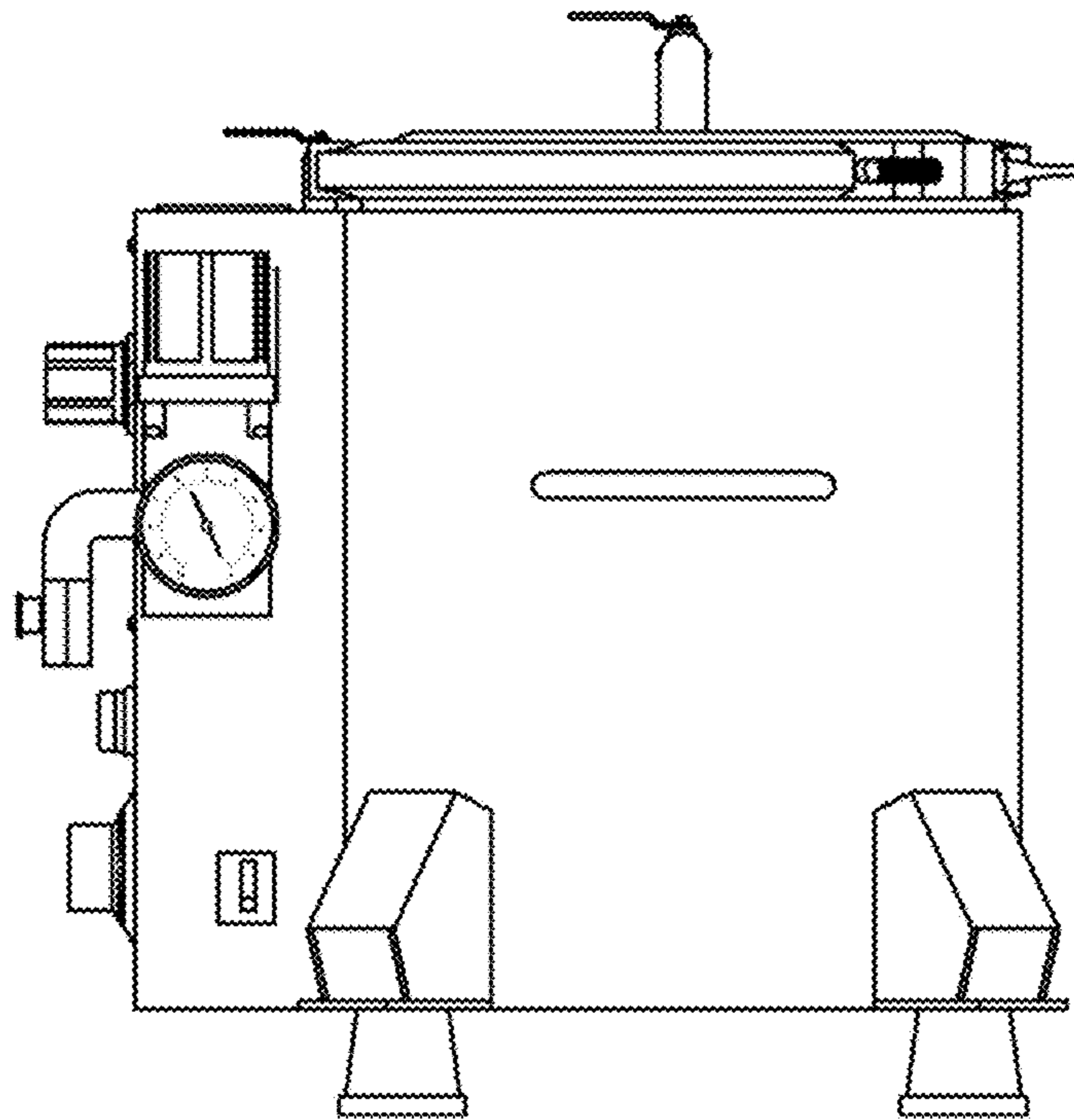


Fig. 6

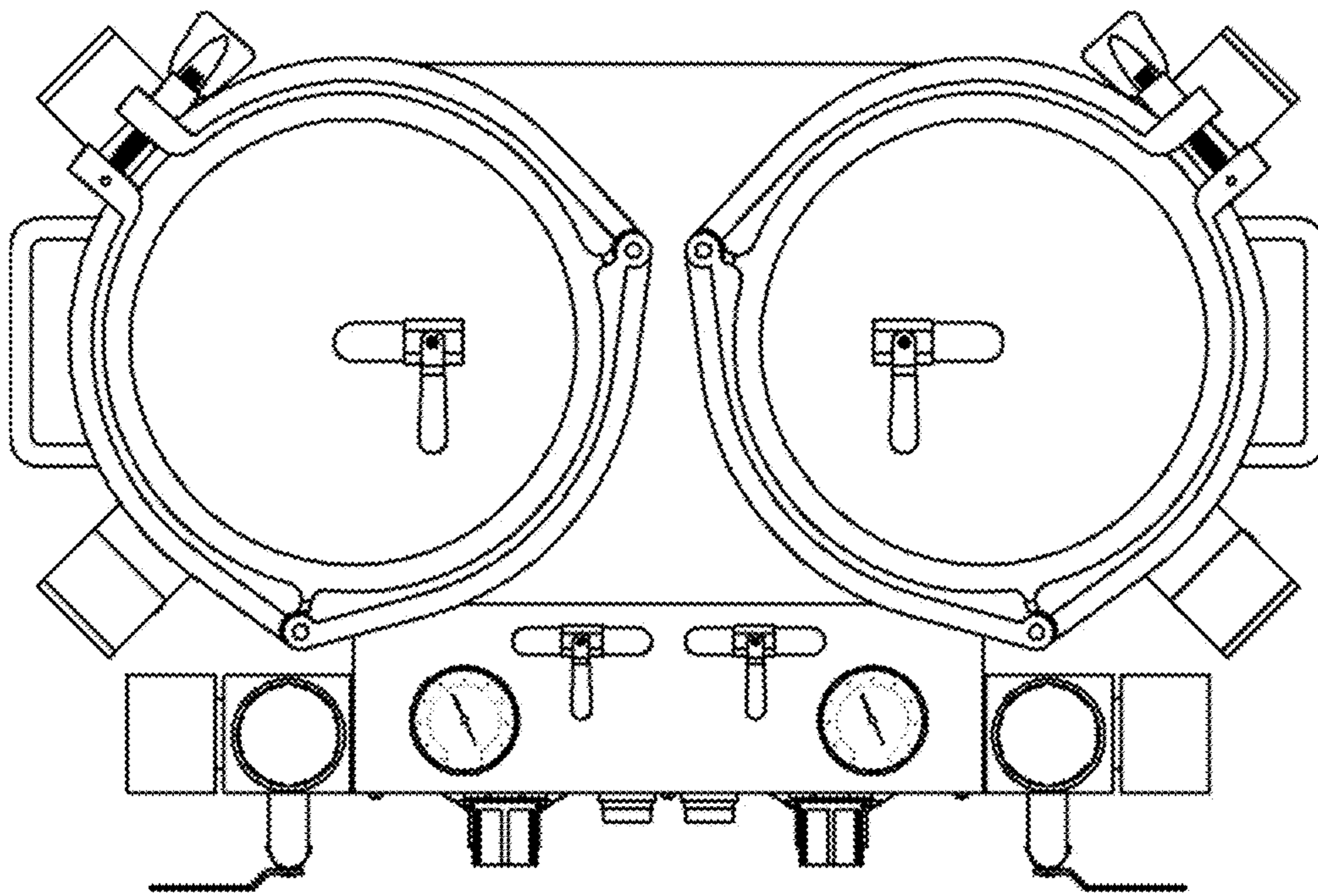


Fig. 7

