



US00D953478S

(12) **United States Design Patent** (10) **Patent No.:** **US D953,478 S**
Xu (45) **Date of Patent:** **** May 31, 2022**

(54) **FISHING ROD**

FOREIGN PATENT DOCUMENTS

(71) Applicant: **Shenzhen Plus Innovations Electronics Co., Ltd.**, Shenzhen (CN)

WO WO2019111516 A1 * 6/2019 A01K 87/08

(72) Inventor: **Zebin Xu**, Jieyang (CN)

OTHER PUBLICATIONS

(**) Term: **15 Years**

https://www.amazon.com/DragonSport-Telescopic-Accessories-Beginners-Freshwater/dp/B08LT9FLRT/ref=sr_1_64?crd=YYYYSJLWZ9PZ&keywords=fishing+rod&qid=1647038133&prefix=fishing+rod%2Caps%2C89&sr=8-64 (Year: 2020).*

(21) Appl. No.: **29/752,721**

* cited by examiner

(22) Filed: **Sep. 29, 2020**

(51) **LOC (13) Cl.** **22-05**

Primary Examiner — Catherine R Oliver-Garcia

(52) **U.S. Cl.**

USPC **D22/142**; D22/137

(57) **CLAIM**

(58) **Field of Classification Search**

USPC D22/142, 137

CPC A01K 87/00; A01K 87/06; A01K 91/00;

A01K 97/08; A01K 87/04; A01K 87/08;

A01K 87/025; A01K 87/02

See application file for complete search history.

The ornamental design for a fishing rod, as shown and described.

DESCRIPTION

(56) **References Cited**

U.S. PATENT DOCUMENTS

D153,223 S * 3/1949 Maher D22/142
6,378,238 B1 * 4/2002 Lu A01K 87/06
43/18.1 R

D607,531 S * 1/2010 Chen D22/137

D750,195 S * 2/2016 Leffler D22/137

D871,542 S * 12/2019 Barrett D22/142

D882,425 S * 4/2020 Judice D10/78

2014/0360085 A1 * 12/2014 Stender A01K 87/025
43/18.1 CT

2020/0352149 A1 * 11/2020 Iwata A01K 87/08

2021/0022329 A1 * 1/2021 Shedd A01K 87/02

FIG. 1 is a first perspective view of a fishing rod showing my new design;

FIG. 2 is a second perspective view thereof;

FIG. 3 is a front view thereof;

FIG. 4 is a back view thereof;

FIG. 5 is a left side view thereof;

FIG. 6 is a right side view thereof;

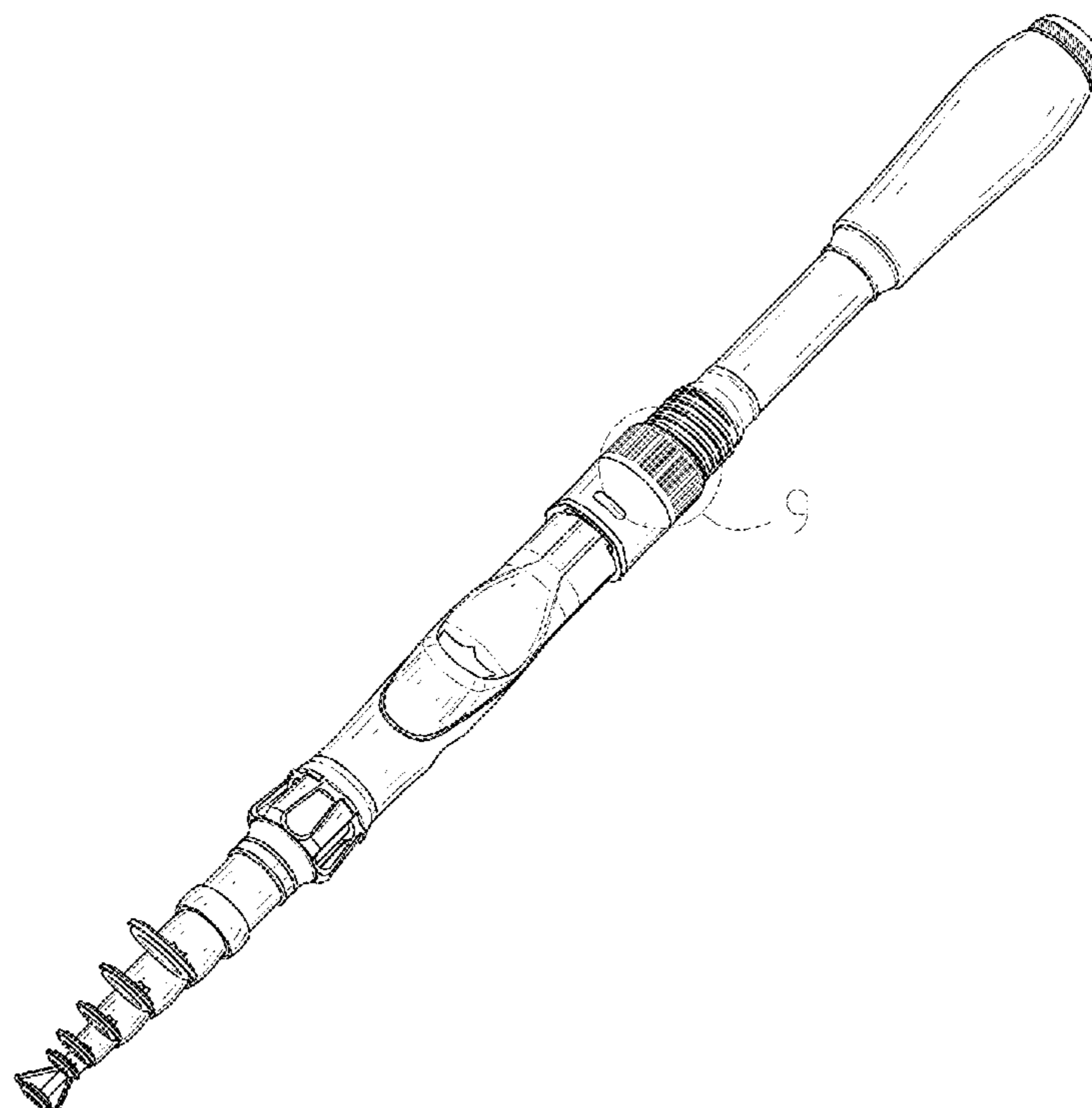
FIG. 7 is a top view thereof;

FIG. 8 is a bottom view thereof; and,

FIG. 9 is an enlarged view of the selected portion in FIG. 1.

The broken lines shown in the drawings depict portions of the fishing rod in which the design is embodied that form no part of the claimed design.

1 Claim, 9 Drawing Sheets



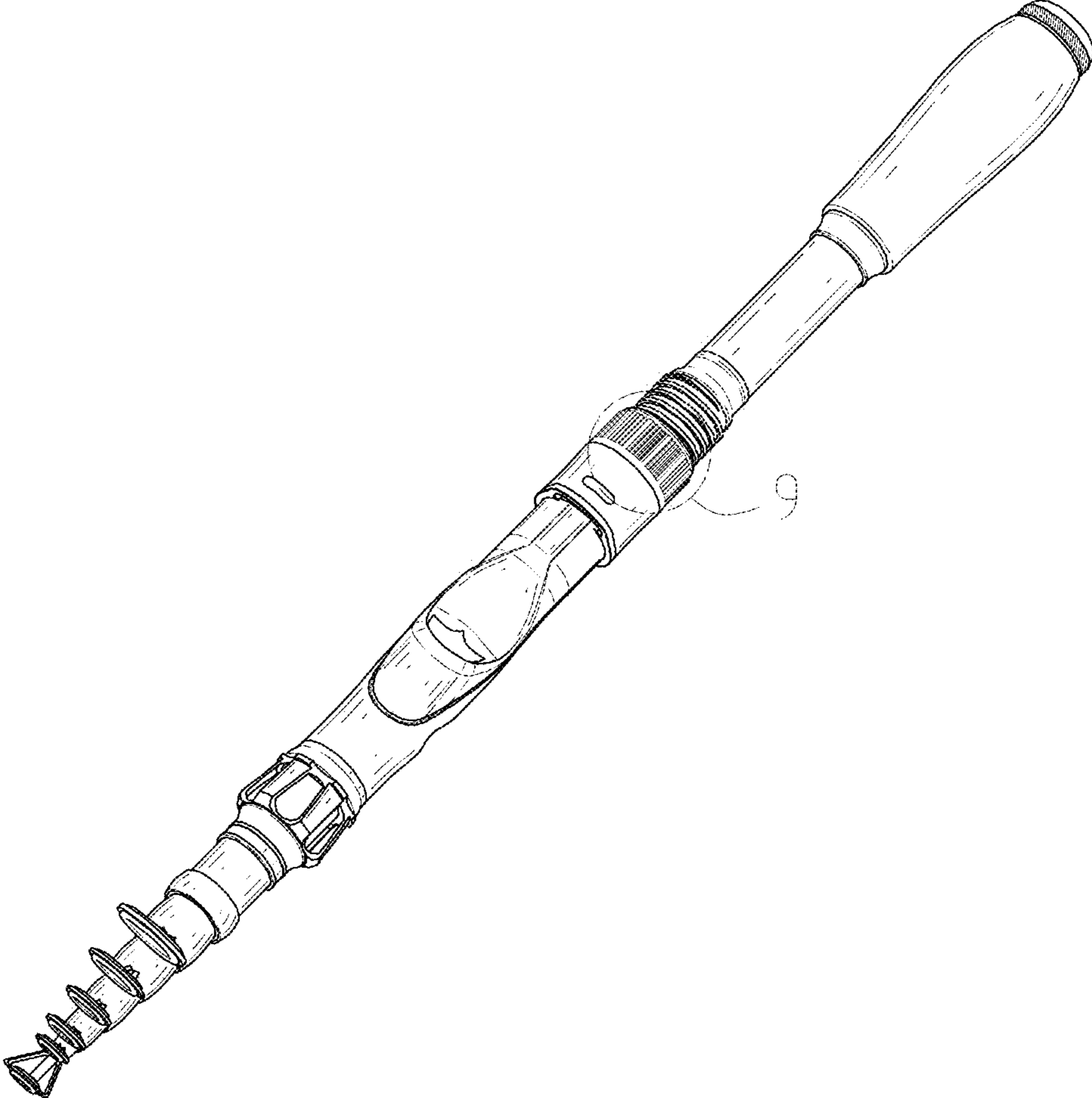


FIG. 1

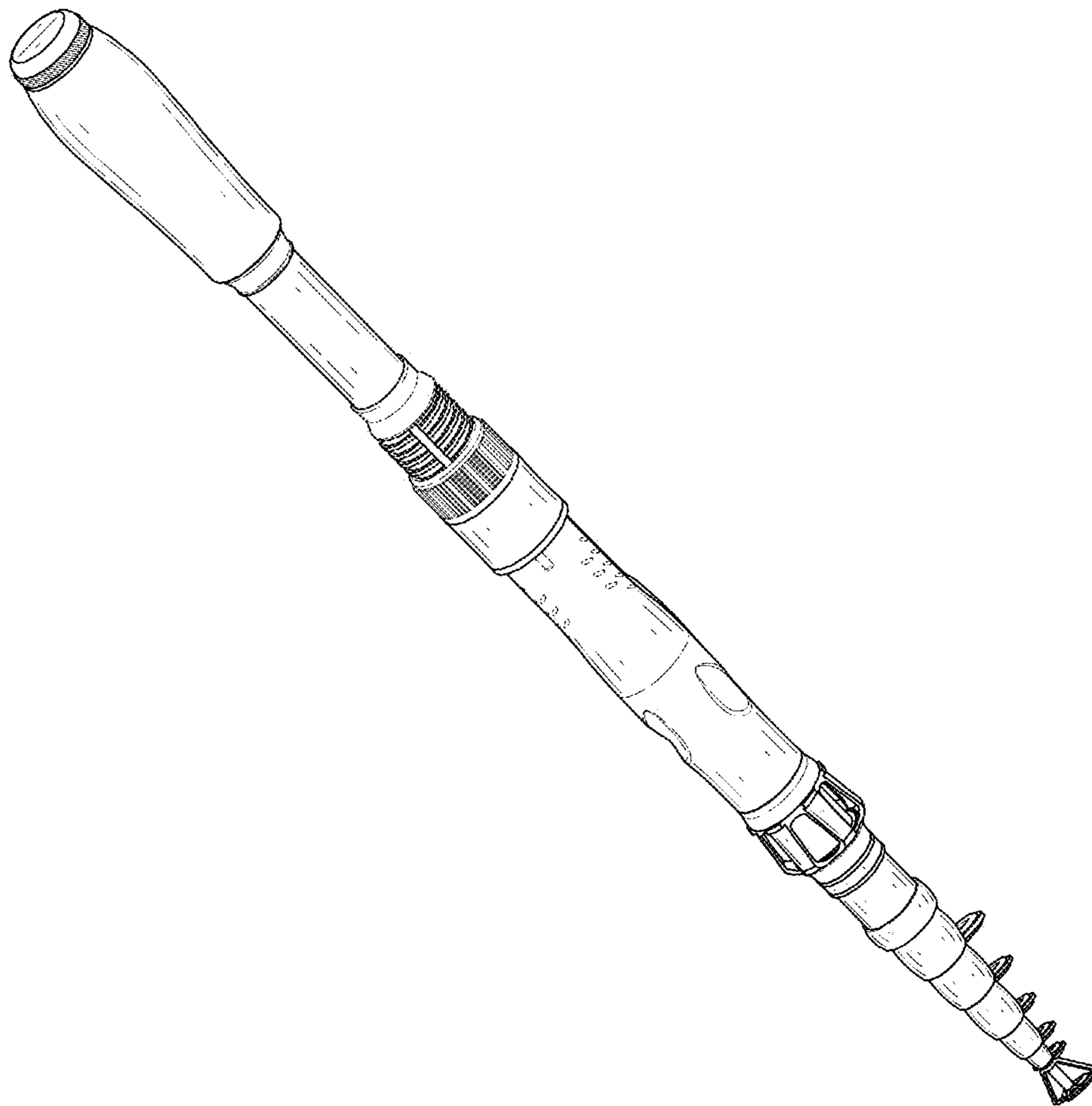


FIG. 2

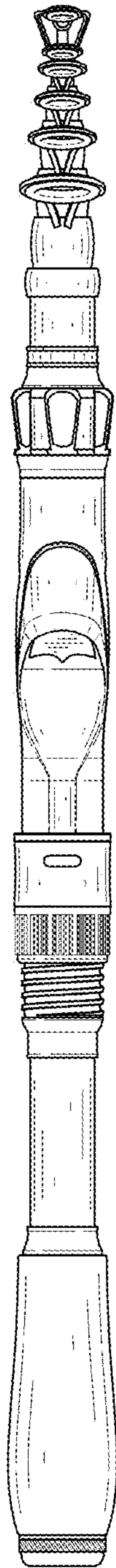


FIG. 3

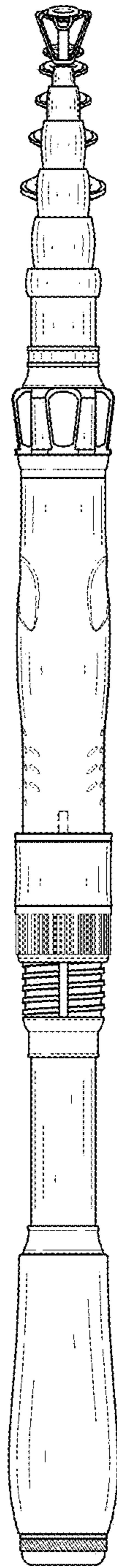


FIG. 4

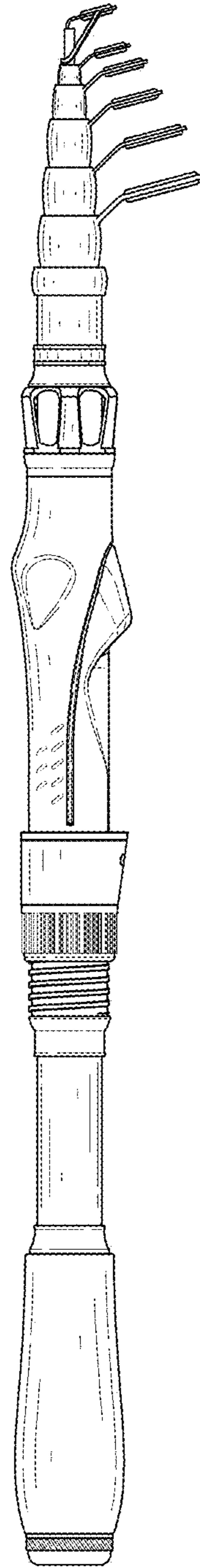


FIG. 5

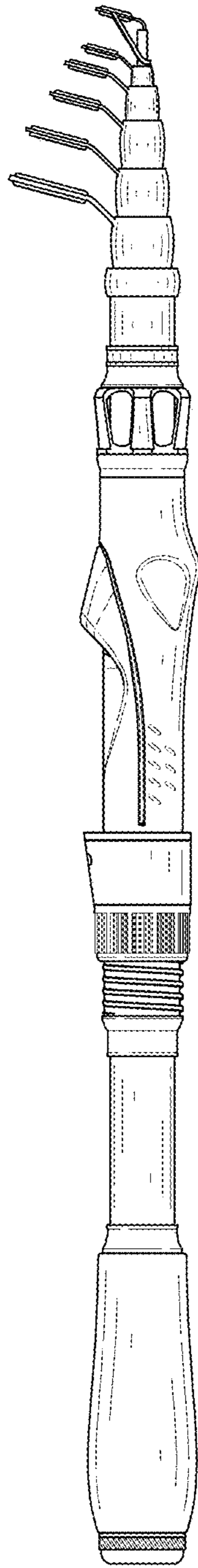


FIG. 6



FIG. 7

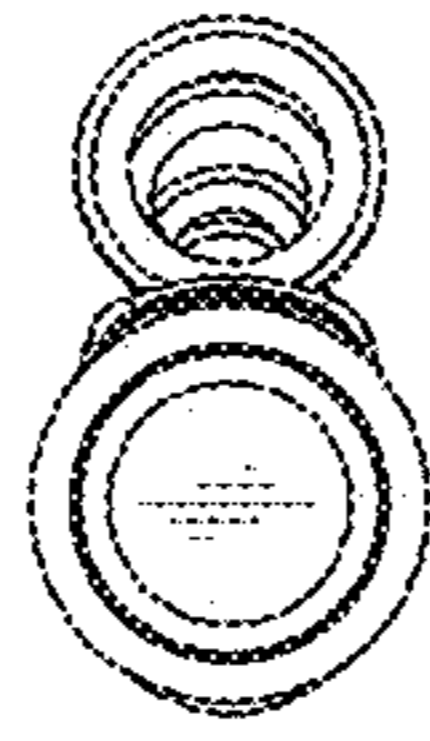


FIG. 8

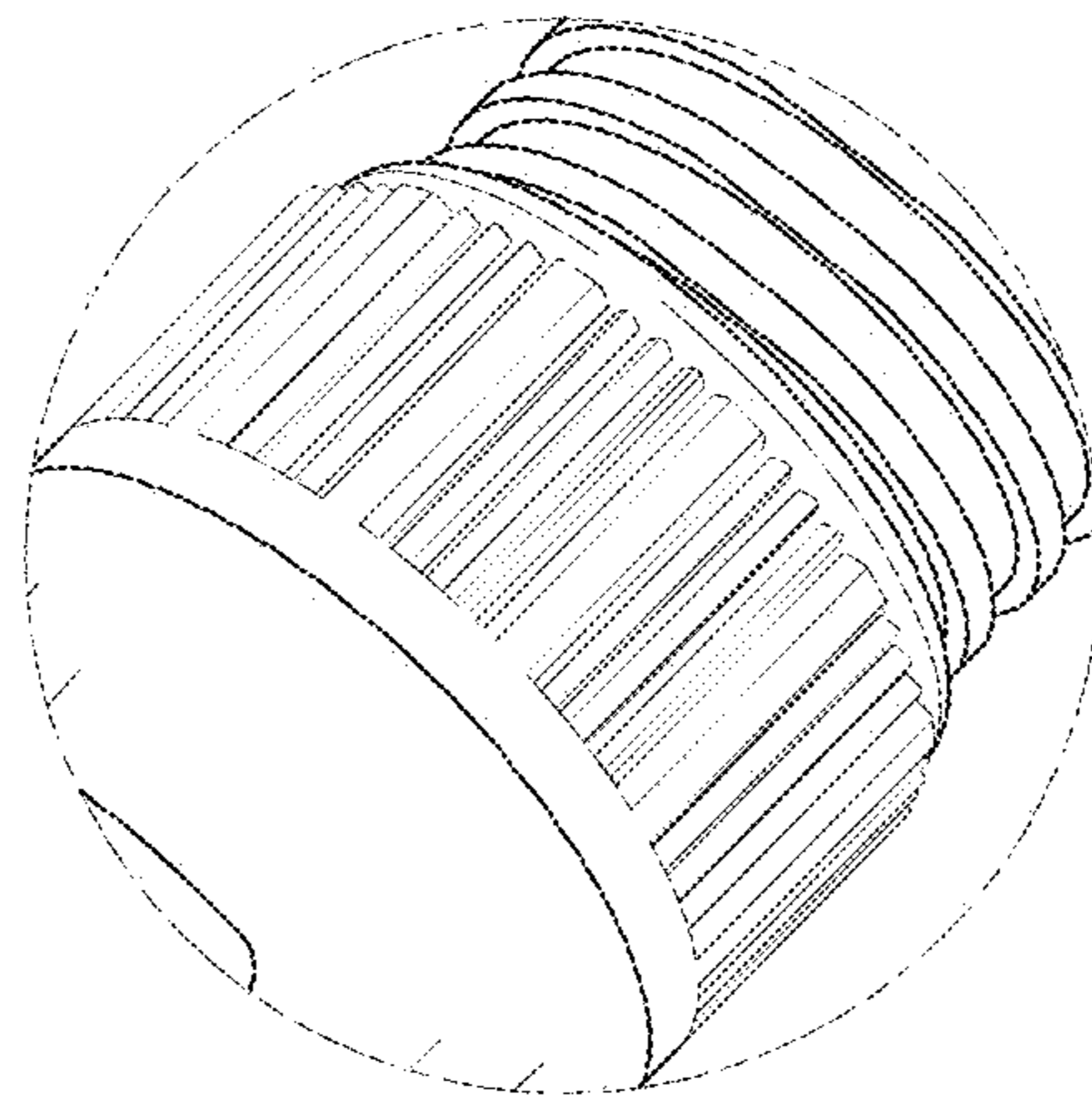


FIG. 9