



US00D953472S

(12) **United States Design Patent**
Storch

(10) **Patent No.:** **US D953,472 S**

(45) **Date of Patent:** **** May 31, 2022**

(54) **COMBINATION FIREARM SIGHT AND ACCESSORY MOUNT RAIL**

D825,022 S * 8/2018 Geissele D22/109
10,088,277 B2 * 10/2018 Zimmer F41G 1/02
D877,843 S * 3/2020 Yu D22/108

(Continued)

(71) Applicant: **Midwest Industries, Inc.**, Waukesha, WI (US)

(72) Inventor: **Troy Storch**, Wales, WI (US)

(73) Assignee: **Midwest Industries, Inc.**, Waukesha, WI (US)

(**) Term: **15 Years**

(21) Appl. No.: **29/718,696**

(22) Filed: **Dec. 27, 2019**

(51) **LOC (13) Cl.** **22-01**

(52) **U.S. Cl.**
USPC **D22/108**

(58) **Field of Classification Search**
USPC D22/108, 109, 110, 199; D16/130, 132, D16/136; D21/572, 573, 574, 575
CPC . F41C 27/00; F41G 1/387; F41G 1/02; F41G 1/06; F41G 1/10; F41G 1/30; F41G 11/001; F41G 11/003; F41G 11/004; F41G 11/005

See application file for complete search history.

(56) **References Cited**

U.S. PATENT DOCUMENTS

RE40,216 E * 4/2008 Swan F41C 23/00 42/124
8,104,218 B2 * 1/2012 McCann F41G 11/003 42/144
8,407,925 B2 * 4/2013 Fesas F41A 3/66 42/124
8,468,733 B2 * 6/2013 Deros F41G 11/003 42/90
D733,249 S * 6/2015 Cheng D22/109
D737,925 S * 9/2015 Norberg D22/109
D768,256 S * 10/2016 Bentley D22/108

OTHER PUBLICATIONS

Dominator Ghost Ring Sight, Published Nov. 26, 2020 [visited Aug. 18, 2021] URL: <https://www.bunnyworkshop.com.hk/collections/accessory-sights/products/ds-x00610> (Year: 2020).*

(Continued)

Primary Examiner — Marissa J Cash

Assistant Examiner — Jessie Anne E Touart

(74) *Attorney, Agent, or Firm* — Boyle Fredrickson S.C.

(57) **CLAIM**

The ornamental design for a combination firearm sight and accessory mount rail, as shown and described.

DESCRIPTION

FIG. 1 rear upper right side perspective view of a combination firearm sight and accessory mount rail according to the present invention;

FIG. 2 is a rear side elevation view of the combination firearm sight and accessory mount rail shown in FIG. 1;

FIG. 3 is a front side elevation view of the combination firearm sight and accessory mount rail shown in FIG. 1;

FIG. 4 is a right side elevation view of the combination firearm sight and accessory mount rail shown in FIG. 1;

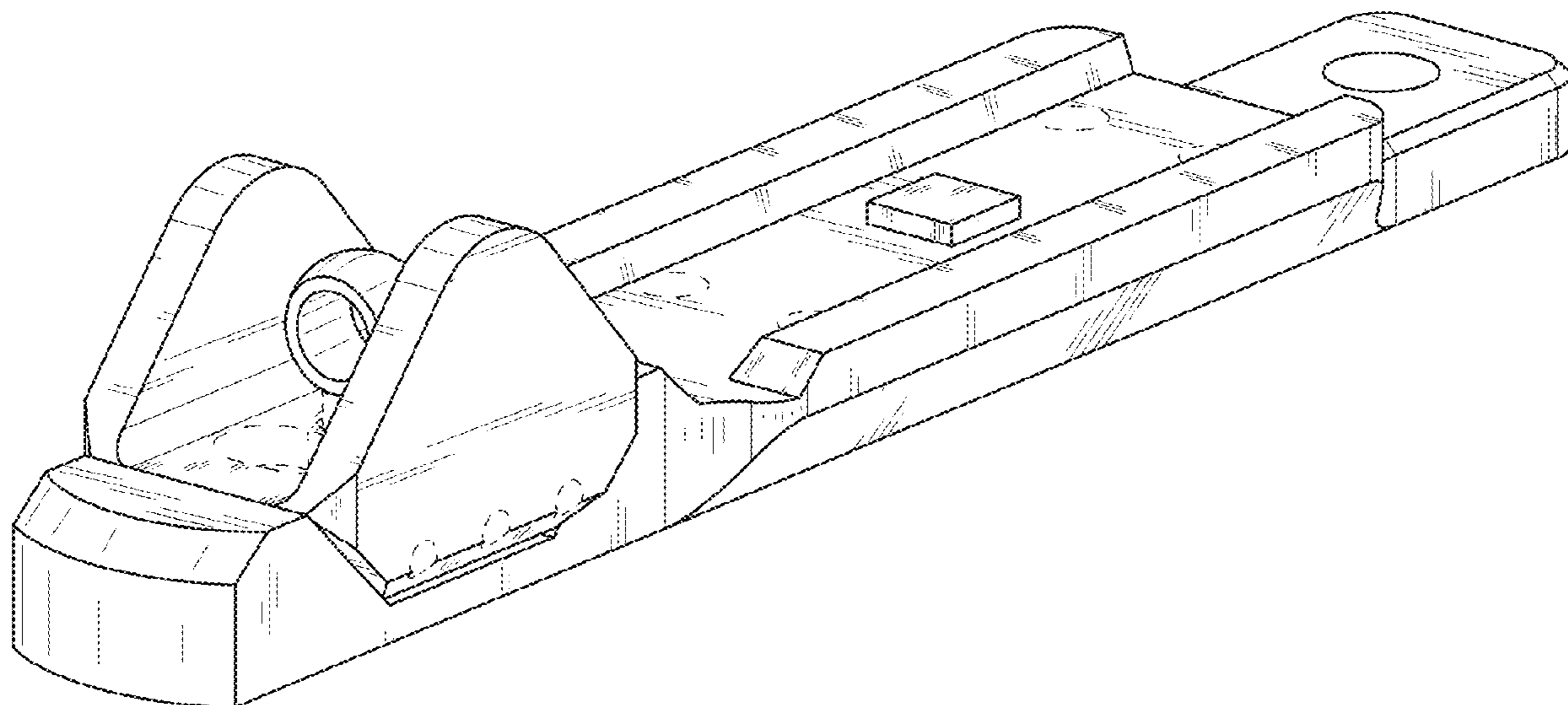
FIG. 5 is a left side elevation view of the combination firearm sight and accessory mount rail shown in FIG. 1;

FIG. 6 is a top plan view of the combination firearm sight and accessory mount rail shown in FIG. 1; and,

FIG. 7 is a bottom plan view of the combination firearm sight and accessory mount rail shown in FIG. 1.

The broken lines are for illustrative purposes and depict portions of the combination firearm sight and accessory mount rail that form no part of the claimed design.

1 Claim, 4 Drawing Sheets



(56)

References Cited

U.S. PATENT DOCUMENTS

10,663,253 B1 * 5/2020 Geissele F41G 1/08
D888,540 S * 6/2020 Cheng D8/354
2003/0140546 A1 * 7/2003 Kay F41G 1/17
42/133
2012/0180370 A1 * 7/2012 McKinley F41G 1/35
42/146
2013/0111799 A1 * 5/2013 Lee F41C 27/00
42/106
2014/0360077 A1 * 12/2014 Miller F41C 27/00
42/84
2016/0102941 A1 * 4/2016 Brucker F41G 1/033
42/148
2016/0216062 A1 * 7/2016 Trotabas F41G 11/003
2017/0067718 A1 * 3/2017 Mayberry F41G 11/001
2017/0146318 A1 * 5/2017 Plummer F41G 1/01
2019/0226802 A1 * 7/2019 Wheeler F41G 1/16
2021/0079943 A1 * 3/2021 Windfeldt F16B 35/06

OTHER PUBLICATIONS

Vang Comp Systems Ghost Ring Sights, Oldest Q&A: Aug. 11, 2011 [visited: Aug. 18, 2021] URL: <https://www.brownells.com/shotgun-parts/sights/front-sights/rem-870-1100-11-87-ghost-ring-sights-prod26683.aspx> (Year: 2011).*

XS Sights. "How to—Zero Your Hunting Rifle Sights" filmed by Guns & Tactics Jae Gillentine and Derek Muller, Jun. 25, 2015 [visited: Aug. 18, 2021] URL: https://www.youtube.com/watch?v=TxFI_yrTs-Y (Year: 2015).*

* cited by examiner

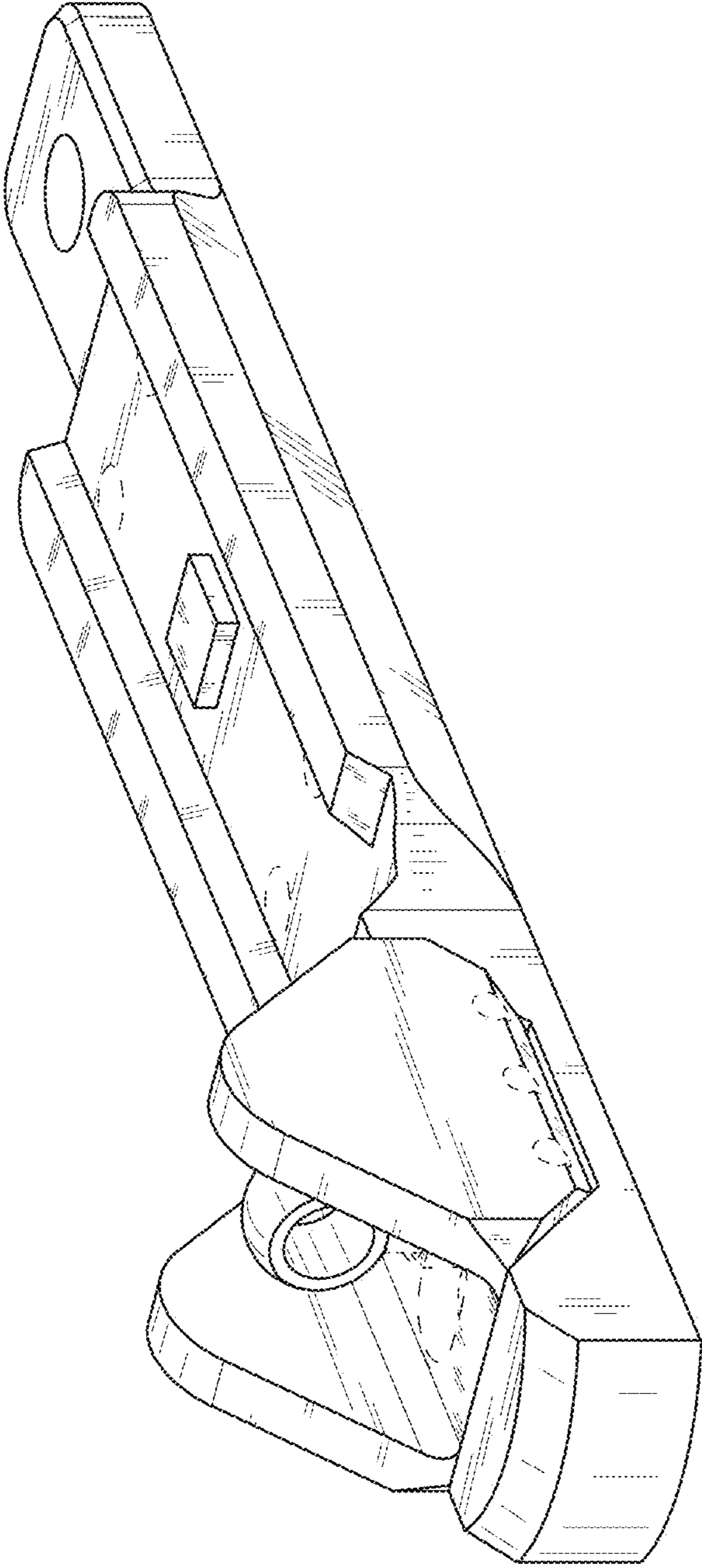


FIG. 1

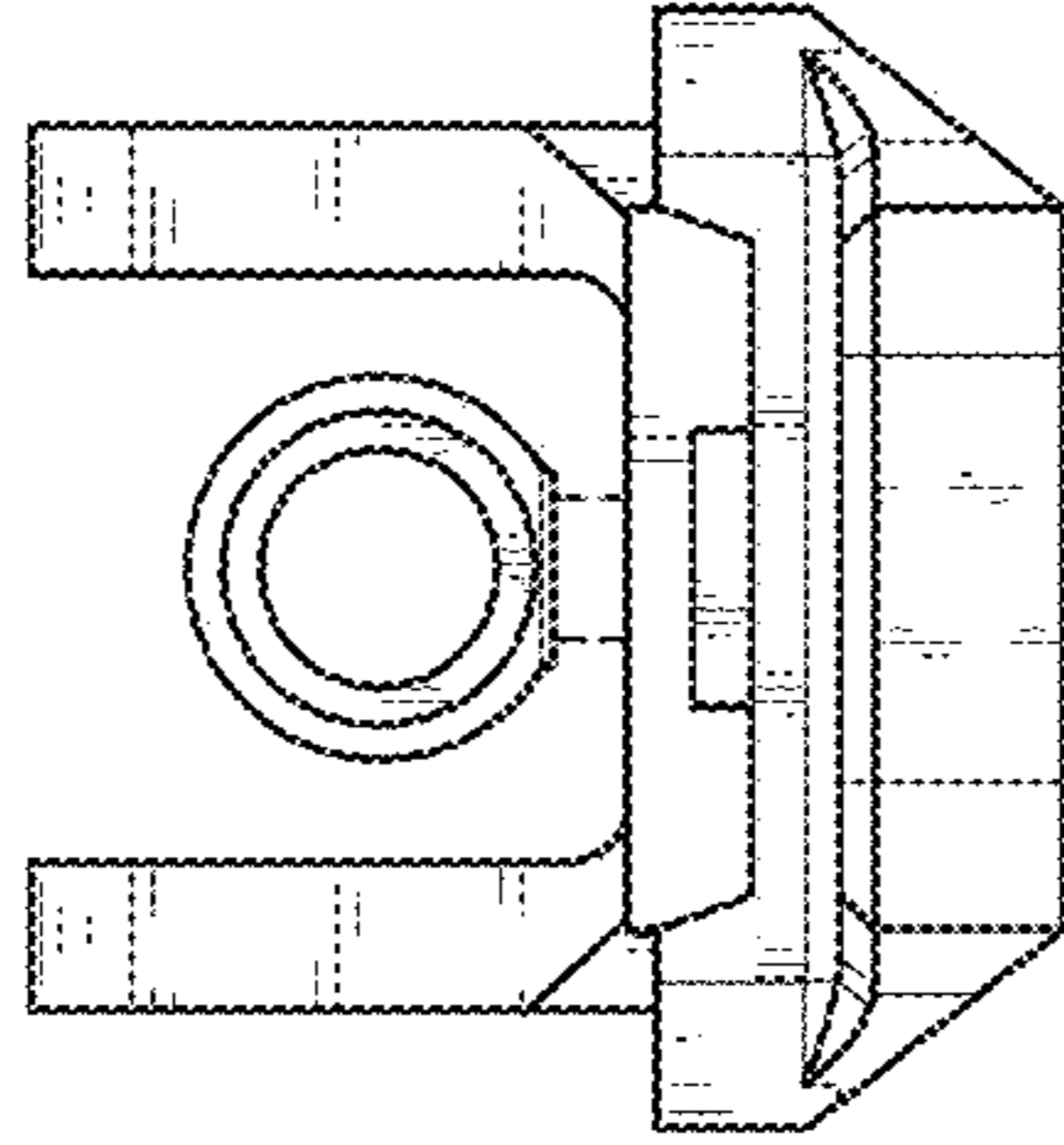


FIG. 3

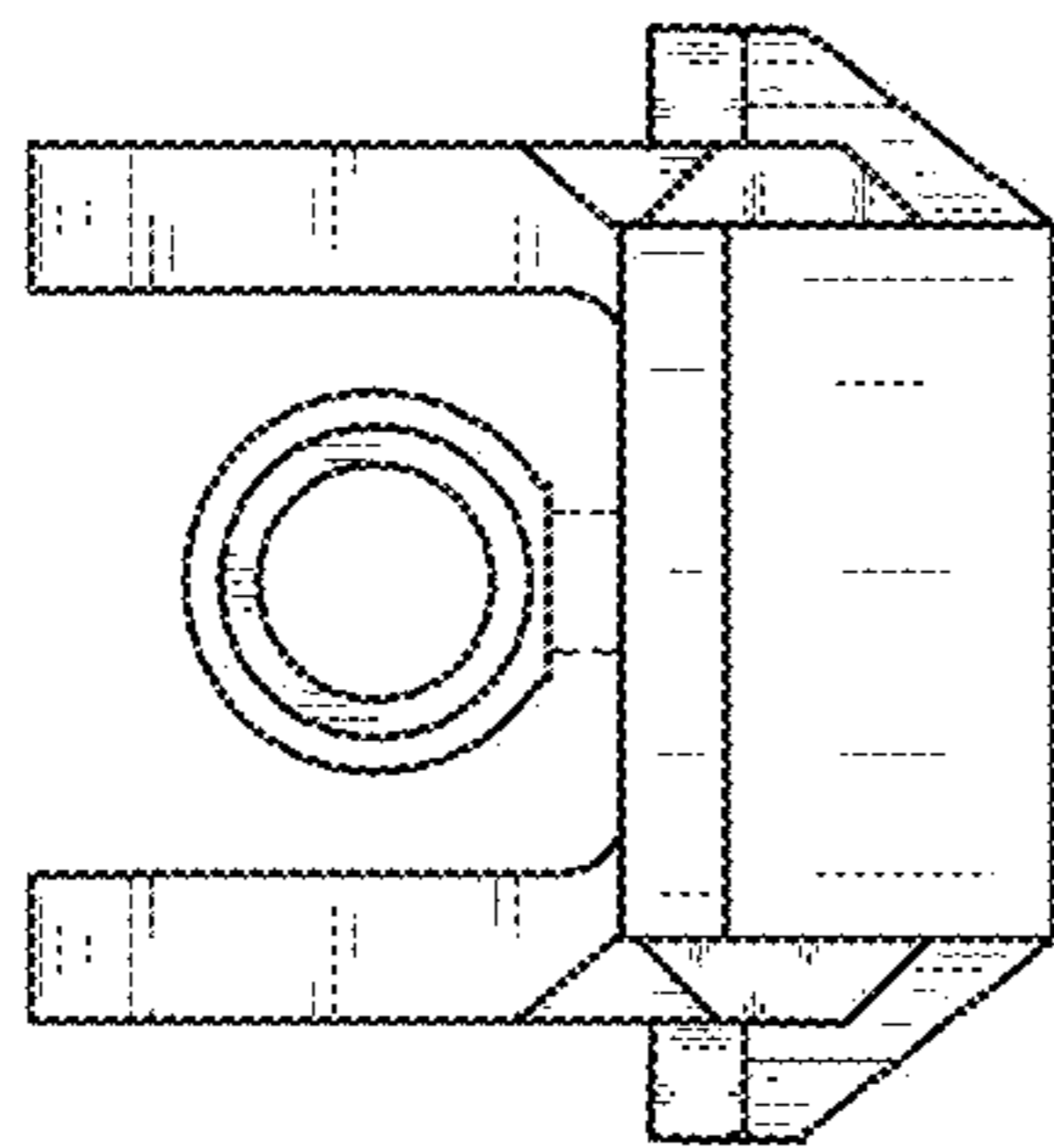


FIG. 2

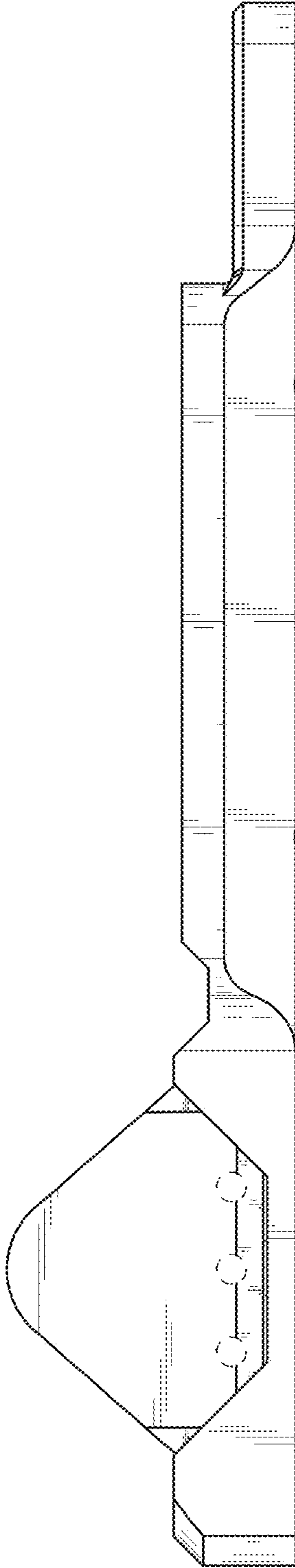


FIG. 4

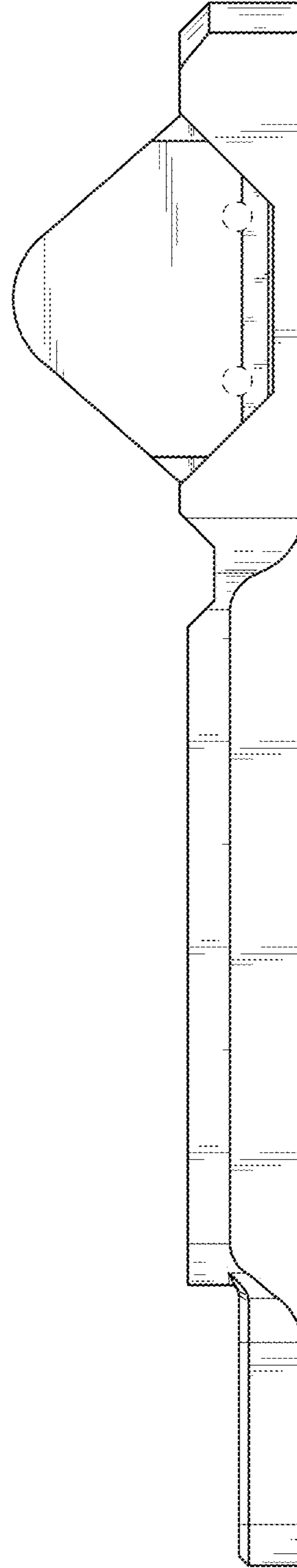


FIG. 5

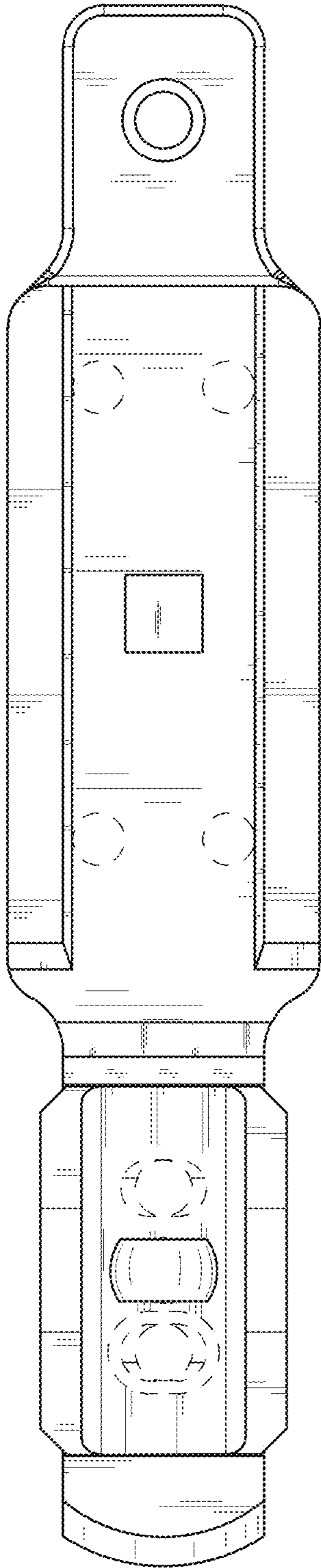


FIG. 6

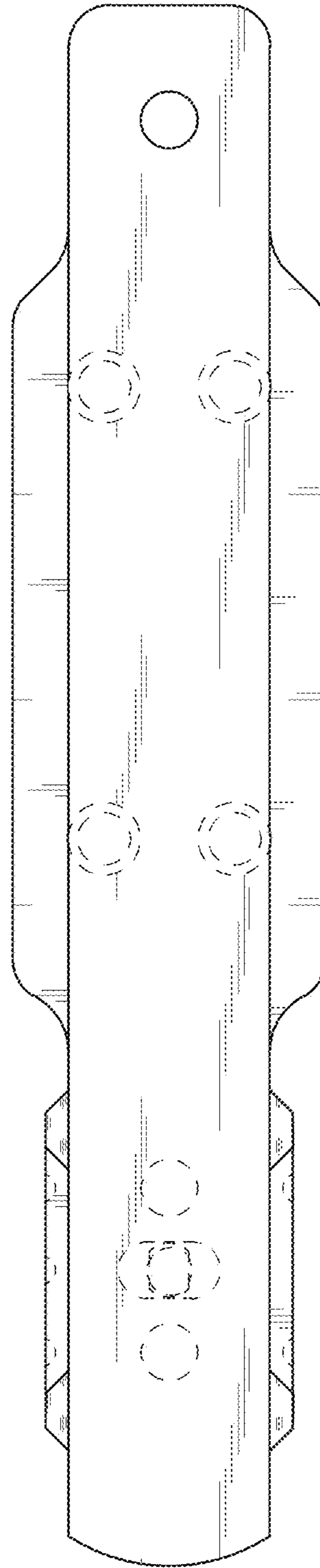


FIG. 7