



US00D953466S

(12) **United States Design Patent**
Liu

(10) **Patent No.:** **US D953,466 S**
(45) **Date of Patent:** **** May 31, 2022**

- (54) **GOLF NET**
- (71) Applicant: **Qingdao Kapler Leisure Products Co., Ltd., Qingdao (CN)**
- (72) Inventor: **Xinzhi Liu, Qingdao (CN)**
- (**) Term: **15 Years**
- (21) Appl. No.: **29/752,741**
- (22) Filed: **Sep. 29, 2020**
- (51) **LOC (13) Cl.** **21-02**
- (52) **U.S. Cl.**
USPC **D21/791**
- (58) **Field of Classification Search**
USPC D21/698, 699, 780, 789, 791, 302, 306, D21/705
CPC . A63B 69/36; A63B 69/3605; A63B 69/3623; A63B 69/3608; A63B 69/3658; A63B 69/3661; A63B 69/3667; A63B 69/3691; A63B 57/00; A63B 63/00-083; A63B 2063/001-086; A63B 71/022
See application file for complete search history.

6,352,480	B1 *	3/2002	Macaluso	A63B 71/022	473/197
6,485,373	B1 *	11/2002	Stephens	A63B 71/022	473/197
6,517,444	B1 *	2/2003	Yoon	A63B 71/022	273/400
6,793,594	B1 *	9/2004	Grant	A63B 69/3623	473/476
7,118,487	B2 *	10/2006	Turcot	A63B 69/3623	273/400
D540,407	S *	4/2007	Grant	D21/705	
D608,849	S *	1/2010	Chang	D21/705	
D717,382	S *	11/2014	Lore	D21/705	
8,894,511	B2 *	11/2014	Lore	A63B 69/3623	273/400
D836,177	S *	12/2018	Gao	D21/834	

* cited by examiner

Primary Examiner — Mitchell I. Siegel

(57) **CLAIM**

The ornamental design for a golf net, as shown and described.

DESCRIPTION

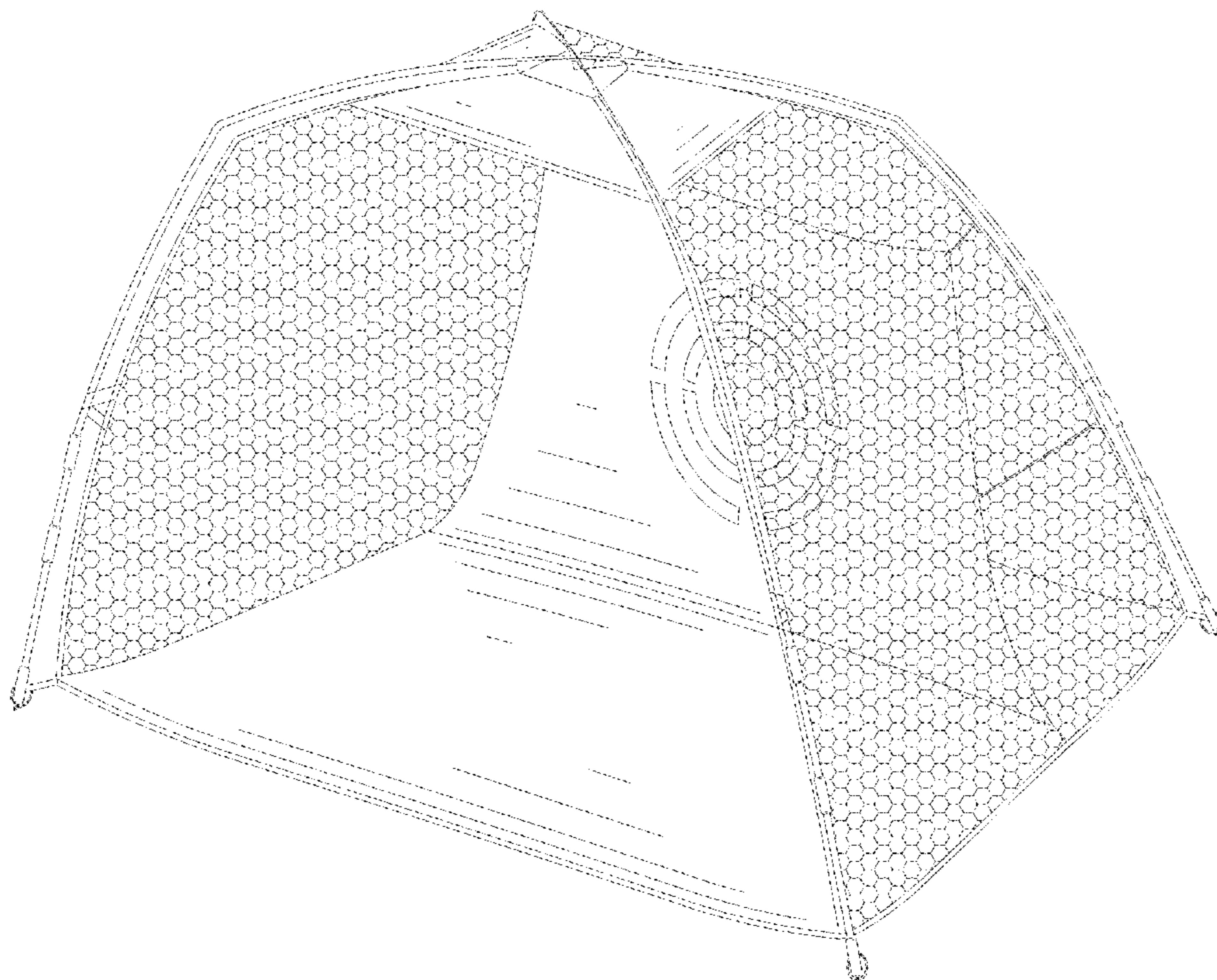
FIG. 1 is a first perspective view of a golf net showing my new design;
 FIG. 2 is a second perspective view thereof;
 FIG. 3 is a front view thereof;
 FIG. 4 is a back view thereof;
 FIG. 5 is a left side view thereof;
 FIG. 6 is a right side view thereof;
 FIG. 7 is a top view thereof; and,
 FIG. 8 is a bottom view thereof.

1 Claim, 8 Drawing Sheets

(56) **References Cited**

U.S. PATENT DOCUMENTS

5,088,740	A *	2/1992	Peterson	A63B 63/00	473/421
5,433,433	A *	7/1995	Armell	A63B 63/004	273/400
D420,074	S *	2/2000	Whitham-Taudien	D21/705	
D427,266	S *	6/2000	Wong	D21/705	



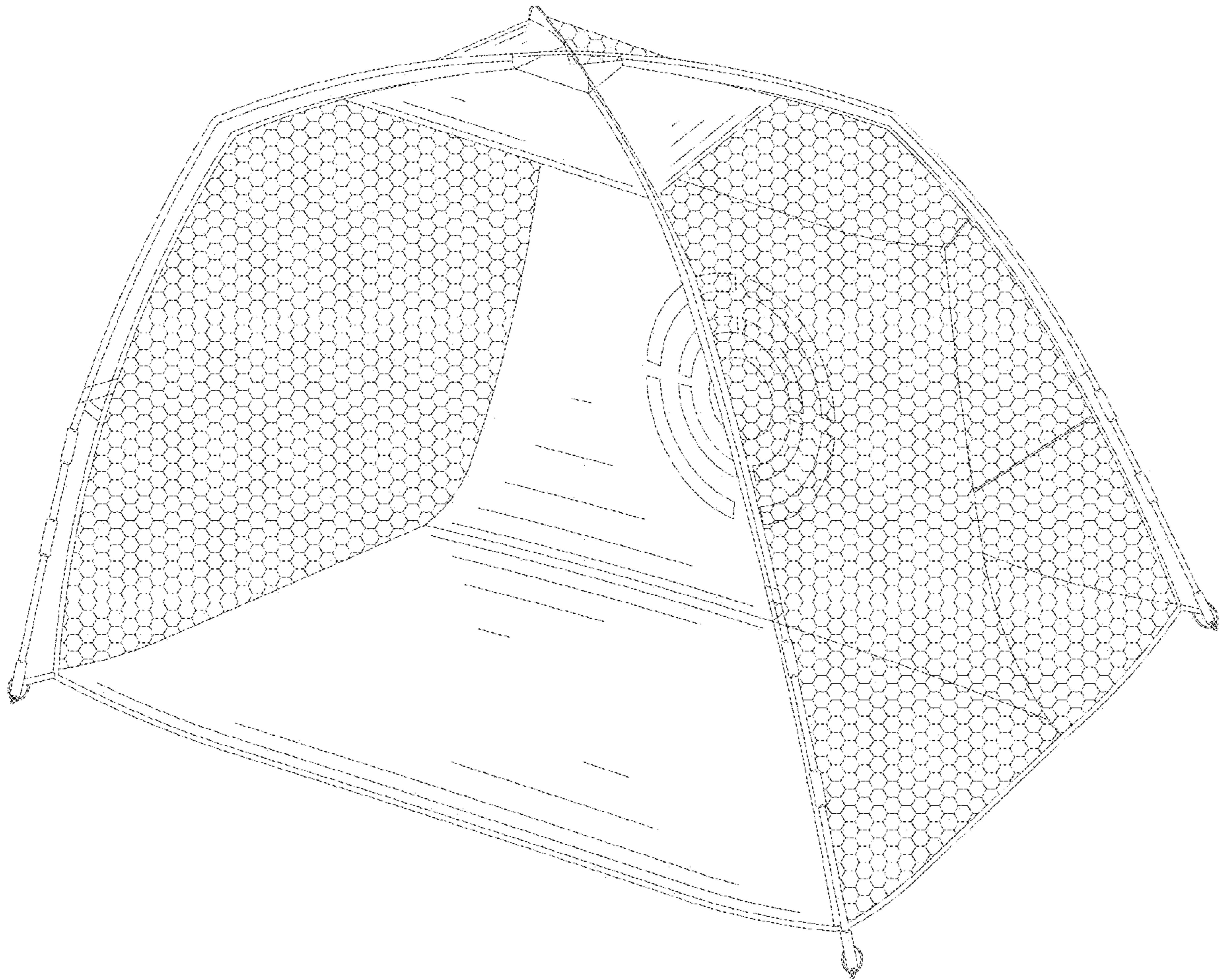


FIG. 1

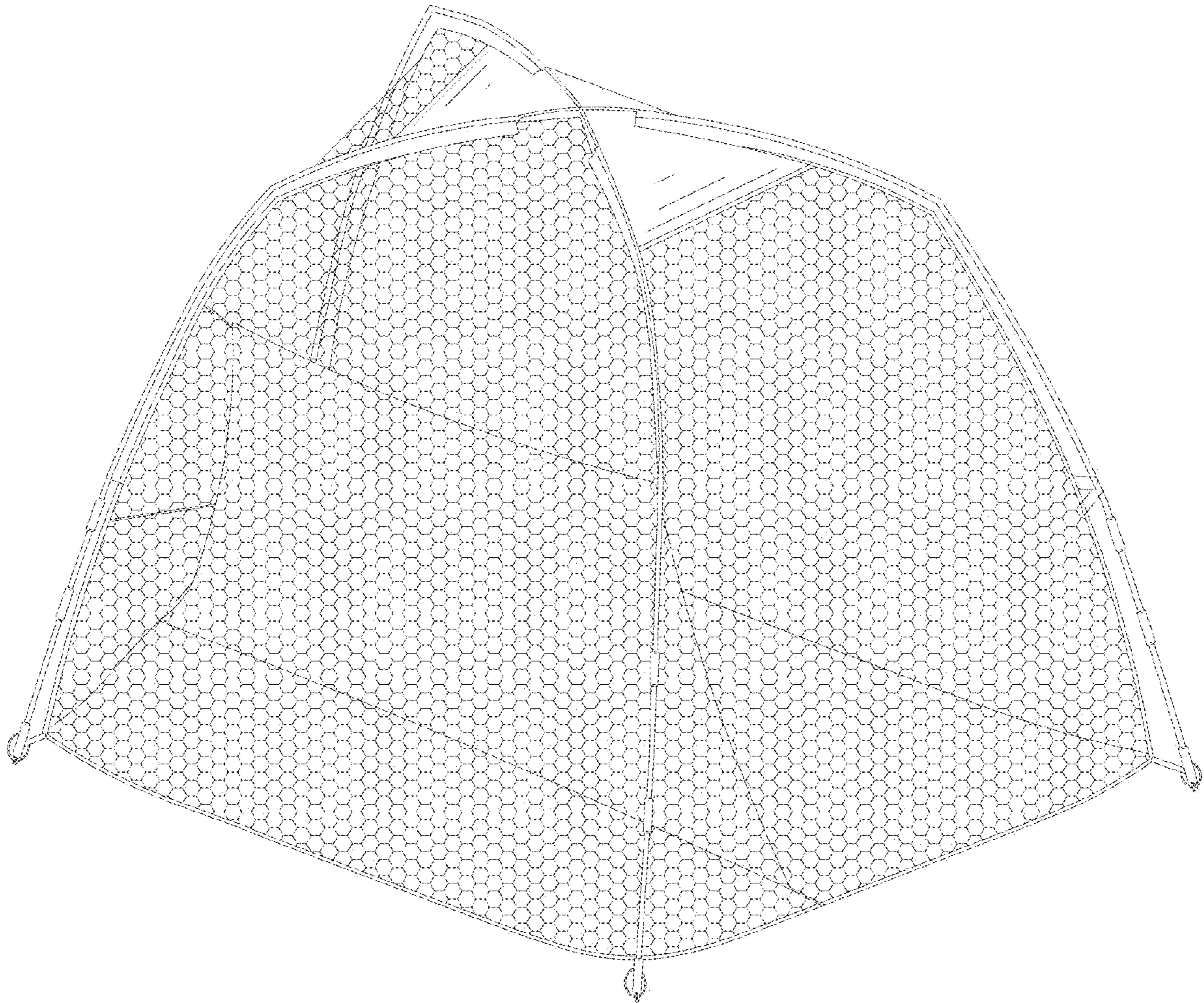


FIG. 2

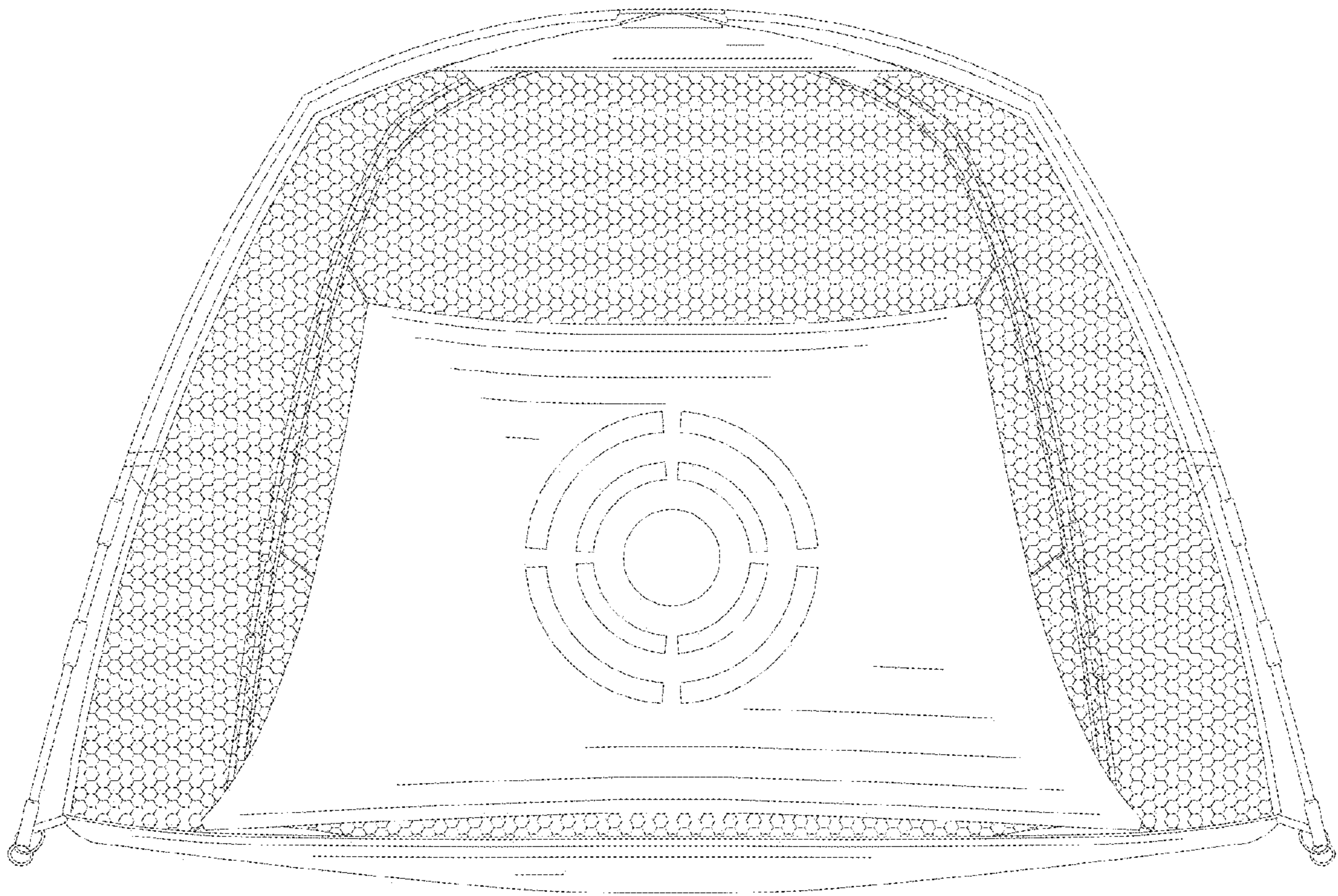


FIG. 3

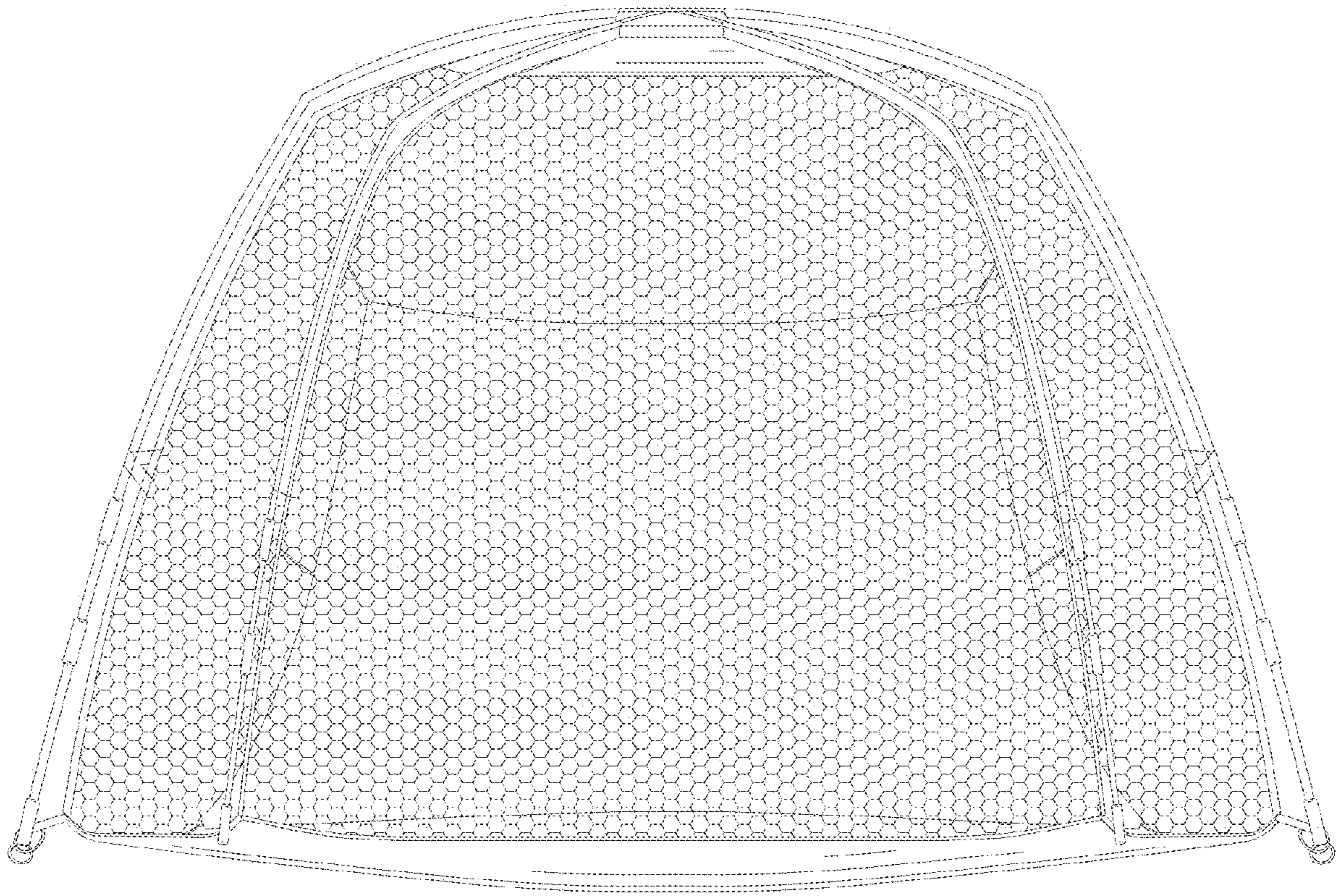


FIG. 4

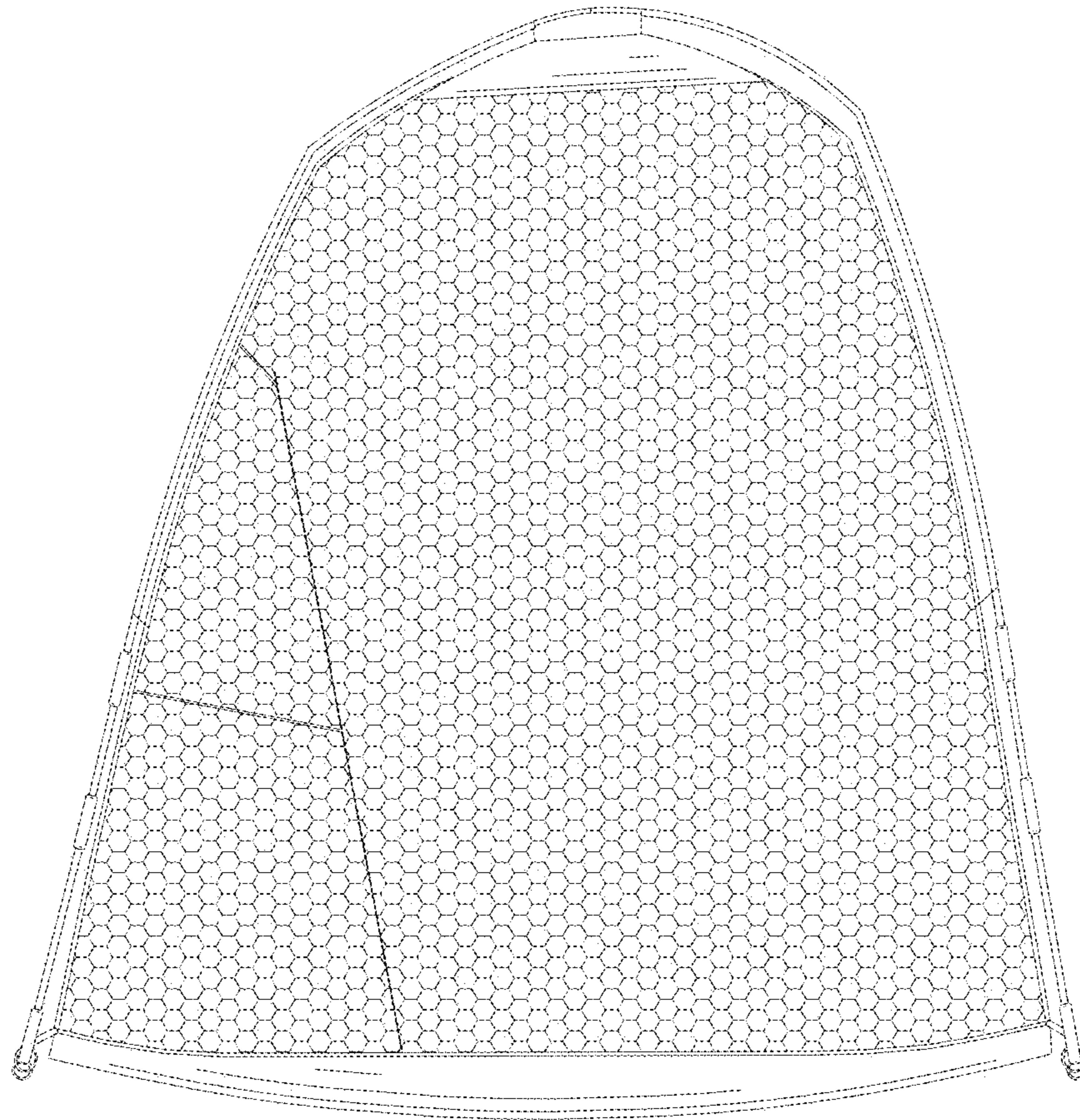


FIG. 5

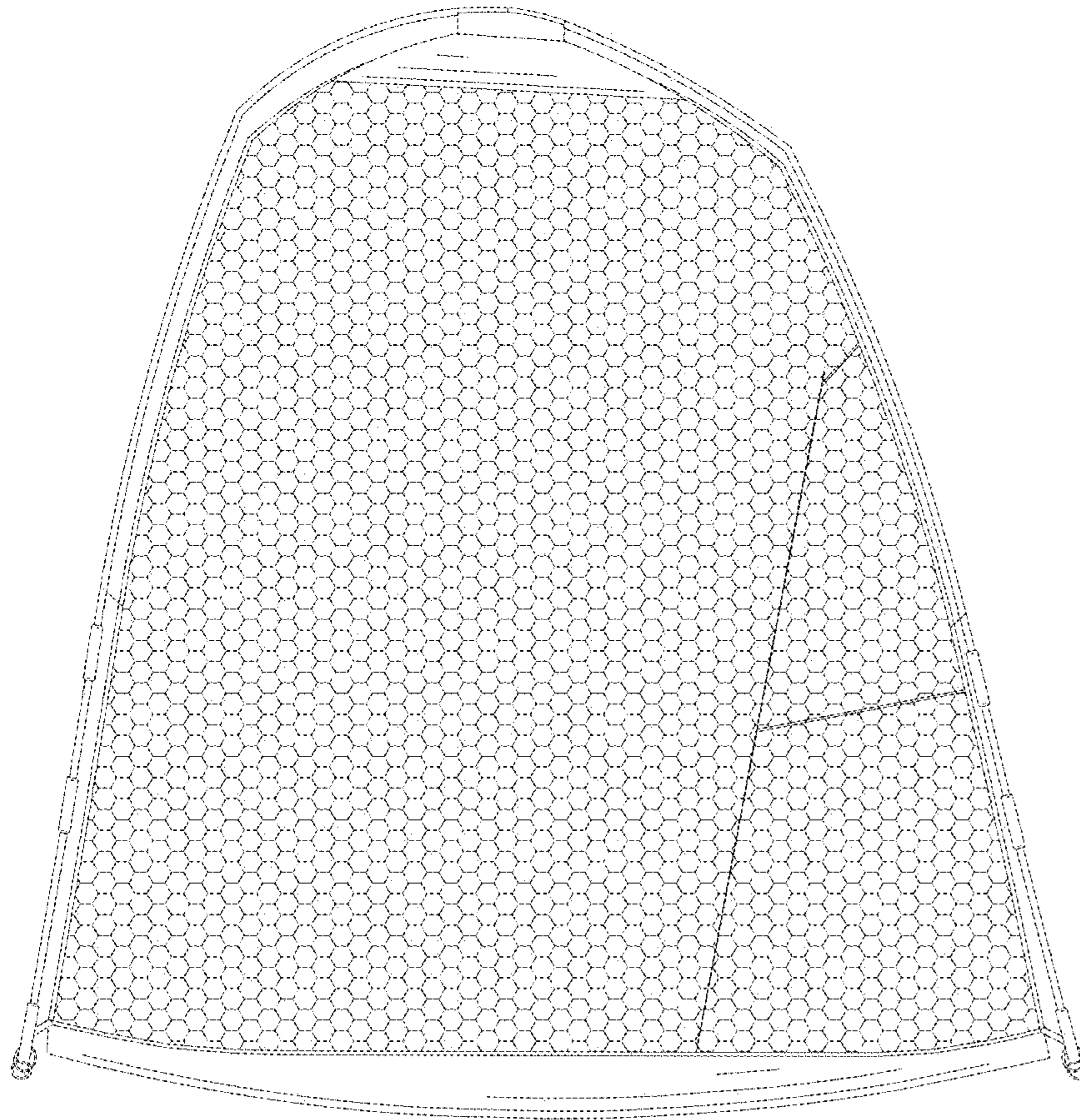


FIG. 6

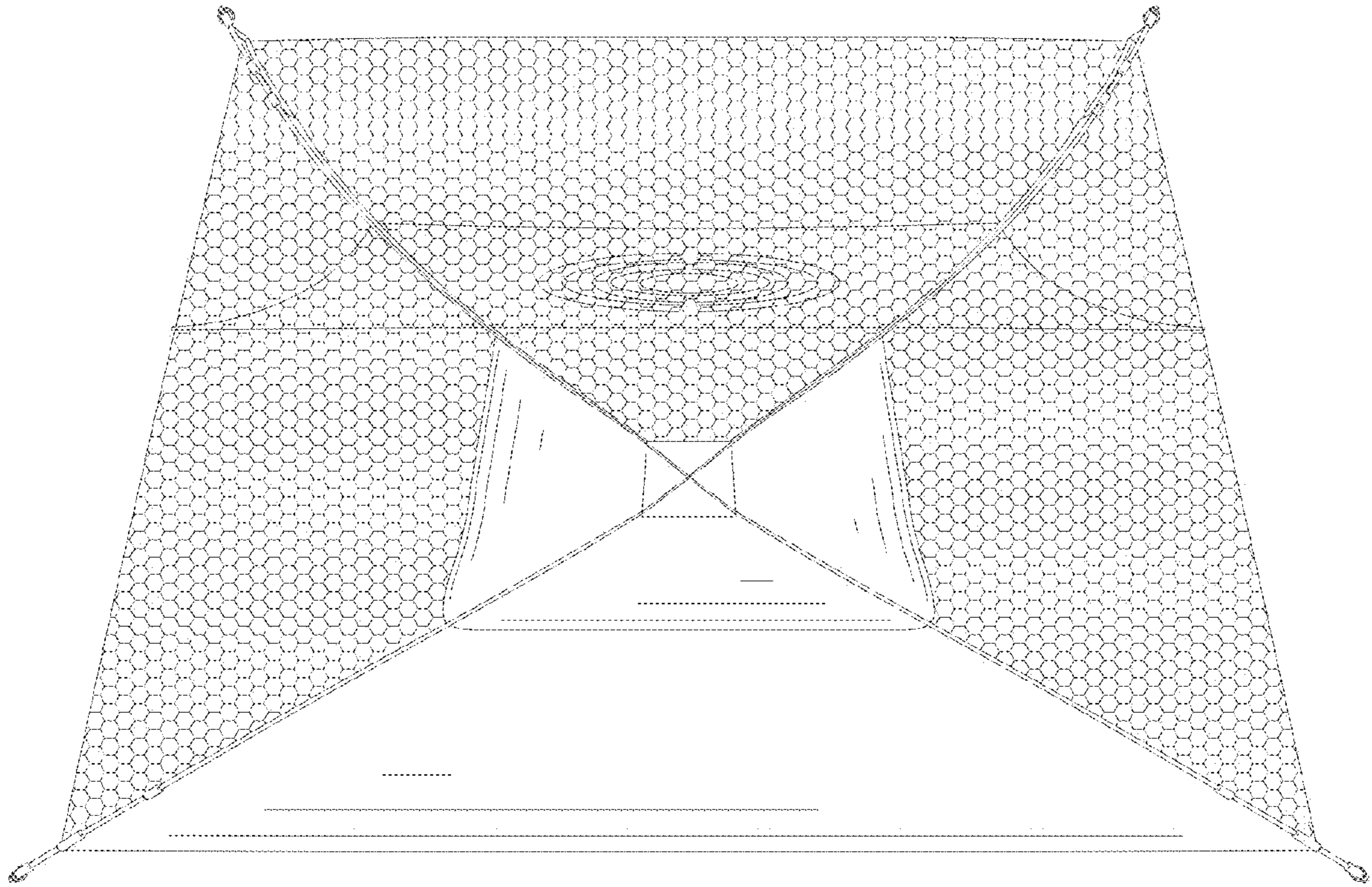


FIG. 7

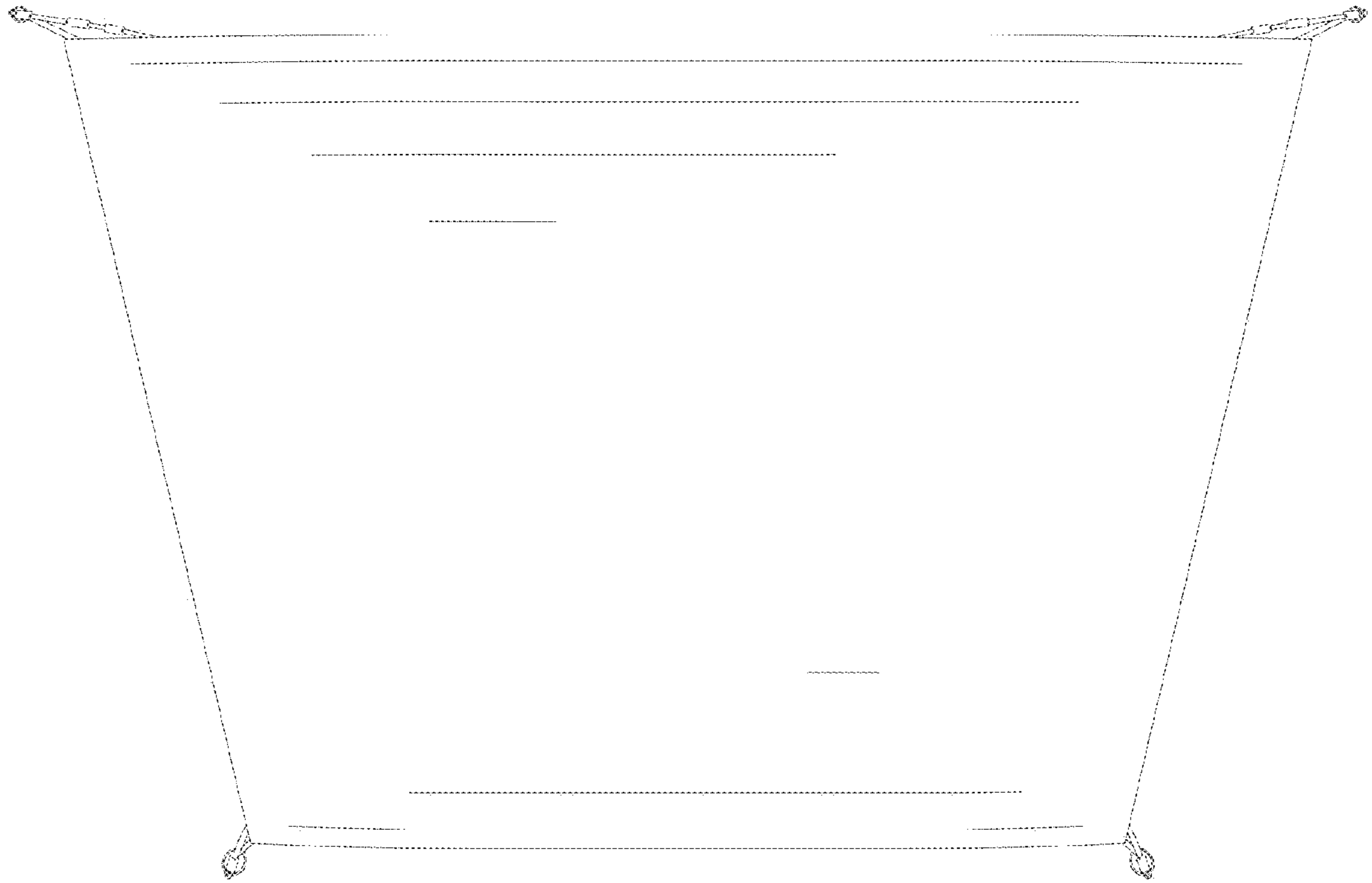


FIG. 8