



US00D953464S

(12) **United States Design Patent** (10) **Patent No.:** **US D953,464 S**
Lu (45) **Date of Patent:** **** May 31, 2022**

(54) **GOLF SCRIBER**

(71) Applicant: **Gang Lu**, Yangxin (CN)

(72) Inventor: **Gang Lu**, Yangxin (CN)

(**) Term: **15 Years**

(21) Appl. No.: **29/737,537**

(22) Filed: **Jun. 10, 2020**

(51) **LOC (13) Cl.** **21-02**

(52) **U.S. Cl.**
USPC **D21/789**; D21/794

(58) **Field of Classification Search**

USPC D21/789, 790, 791, 793, 794, 796, 319,
D21/358, 698, 715-718, 720, 721
CPC . A63B 57/0012; A63B 57/0037; A63B 57/10;
A63B 57/12; A63B 57/13; A63B 57/15;
A63B 57/18; A63B 57/19; A63B
69/0075; A63B 69/0091; A63B 57/20;
A63B 57/207; A63B 57/30; A63B 57/353
See application file for complete search history.

(56) **References Cited**

U.S. PATENT DOCUMENTS

6,004,223	A *	12/1999	Newcomb	A63B 69/3688
					101/127
6,595,128	B2 *	7/2003	Parks	A63B 43/008
					101/127
6,676,544	B2 *	1/2004	Tyke	A63B 43/008
					101/127.1
D558,291	S *	12/2007	Burnett	D10/82
D707,318	S *	6/2014	Kim	D21/789
D872,817	S *	1/2020	Peterson	D21/794
D889,580	S *	7/2020	Peterson	D21/794
D907,153	S *	1/2021	Peterson	D21/794
2002/0086741	A1 *	7/2002	Newcomb	A63B 37/0003
					473/351
2003/0153396	A1 *	8/2003	Andresen	A63B 69/3688
					473/280
2004/0231532	A1 *	11/2004	Liu	A63B 45/02
					101/35

2007/0245910	A1 *	10/2007	Hung	A63B 45/02
					101/35
2008/0271333	A1 *	11/2008	Sung	A63B 57/00
					33/562
2015/0075395	A1 *	3/2015	Liao	B41F 17/30
					101/35

(Continued)

OTHER PUBLICATIONS

Golf Ball Line Liner Drawing Marking Alignment Putting Tool.
Date First Available: May 7, 2018. Retrieved from internet: <
<https://www.amazon.com/Liner-Drawing-Marking-Alignment-Putting/dp/B072JJRQV6/>> [site visited Jan. 18, 2022] (Year: 2018).*

(Continued)

Primary Examiner — Barbara Fox

Assistant Examiner — Yuan Yuan

(57) **CLAIM**

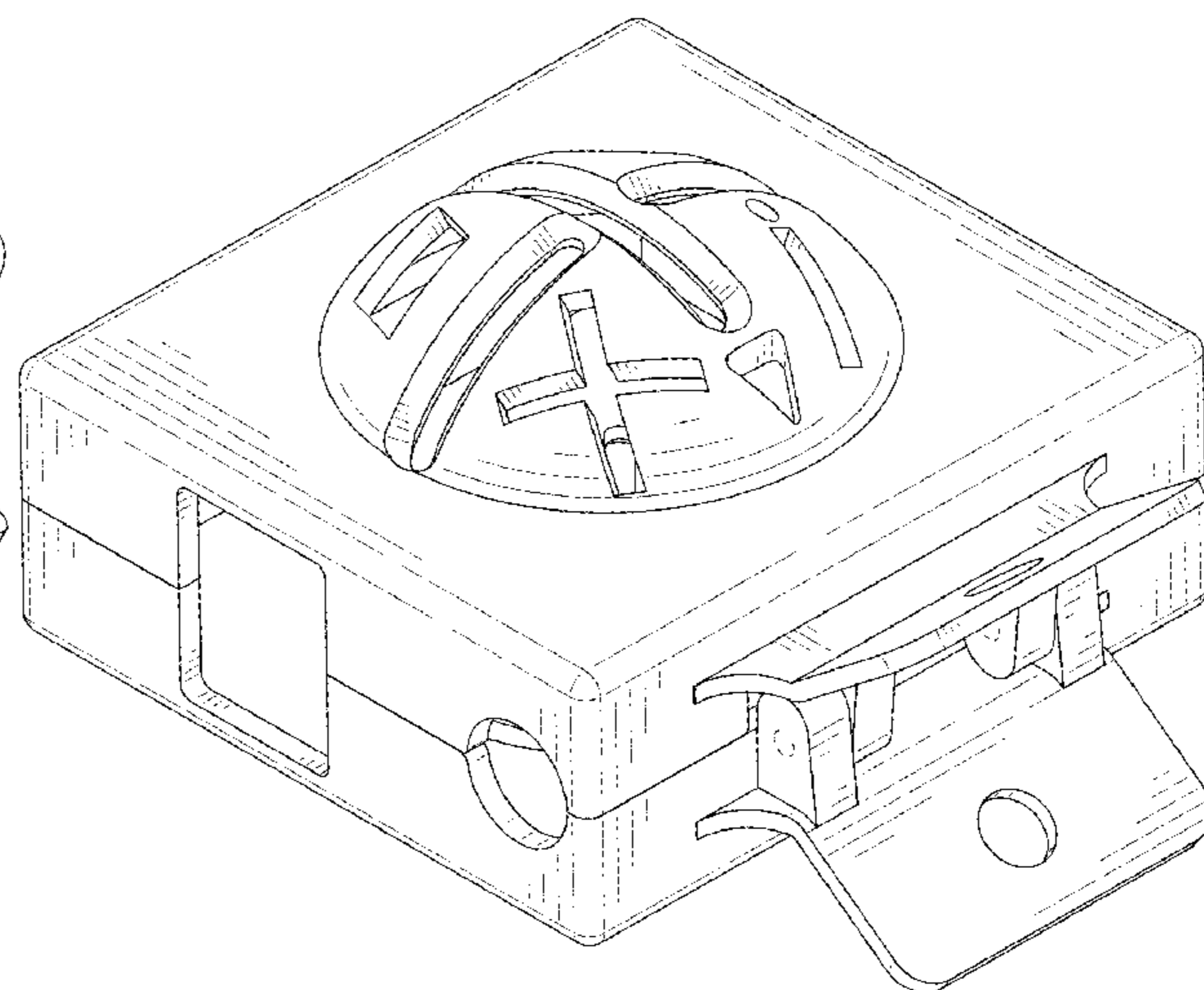
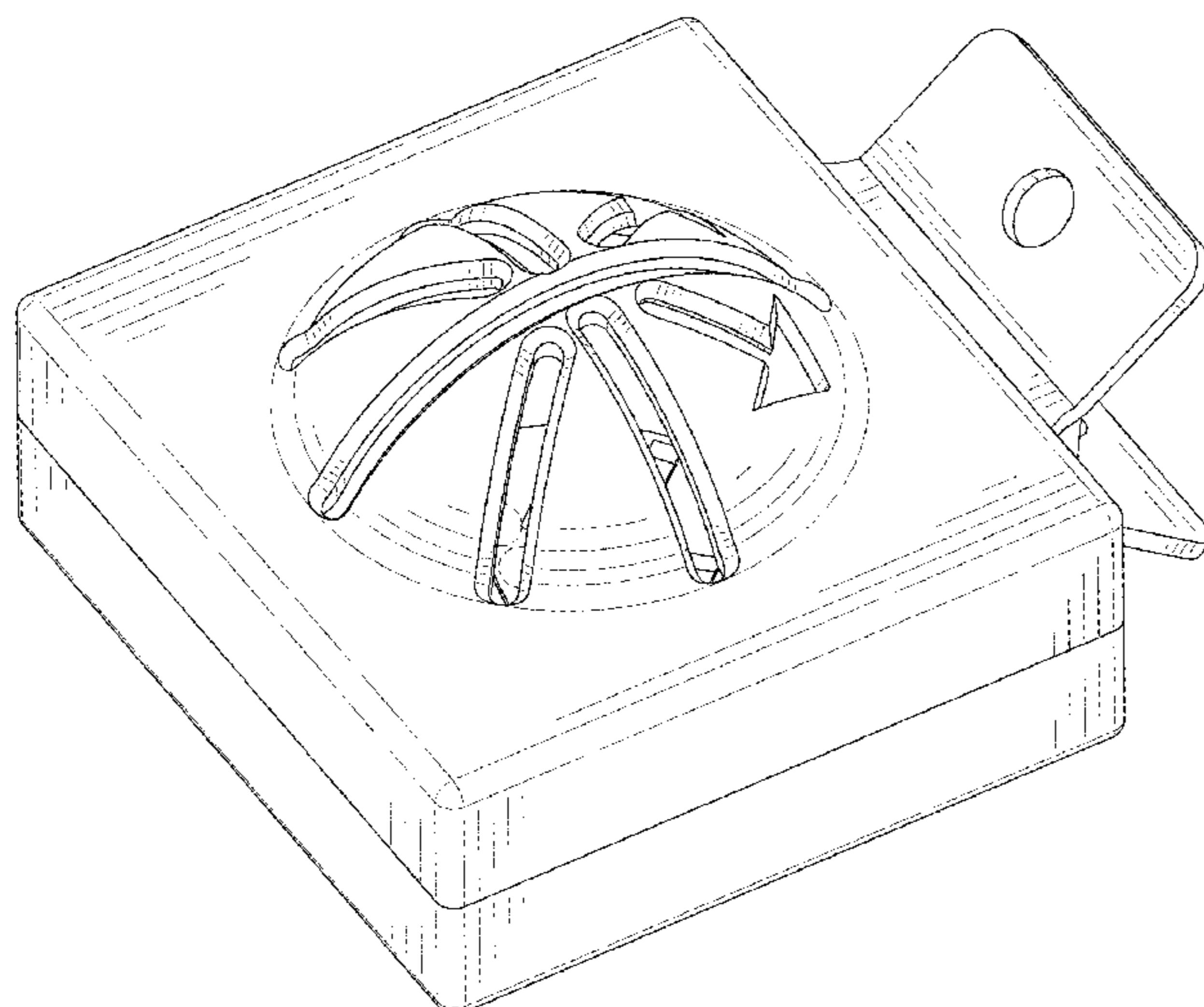
The ornamental design for a golf scriber, as shown and described.

DESCRIPTION

FIG. 1 is a first perspective view of a golf scriber showing my new design;
FIG. 2 is a second perspective view thereof;
FIG. 3 is a front view thereof;
FIG. 4 is a back view thereof;
FIG. 5 is a left side view thereof;
FIG. 6 is a right side view thereof;
FIG. 7 is a top view thereof;
FIG. 8 is a bottom view thereof; and,
FIG. 9 is a perspective view of another state of the golf scriber thereof.

The broken lines shown in the drawings depict portions of the golf scriber in which the design is embodied that form no part of the claimed design.

1 Claim, 9 Drawing Sheets



(56)

References Cited

U.S. PATENT DOCUMENTS

2017/0165531 A1* 6/2017 Lynch A45F 5/021
2021/0220706 A1* 7/2021 Nam A63B 45/02

OTHER PUBLICATIONS

Visualize Tri-Line Golf Ball Marker. Date First Available: Nov. 16, 2019. Retrieved from internet: < <https://www.amazon.com/VISUALIZE-Tri-Line-Marker-2-Pack-Original/dp/B081L51RRF/>> [site visited Jan. 18, 2022] (Year: 2019).*

* cited by examiner

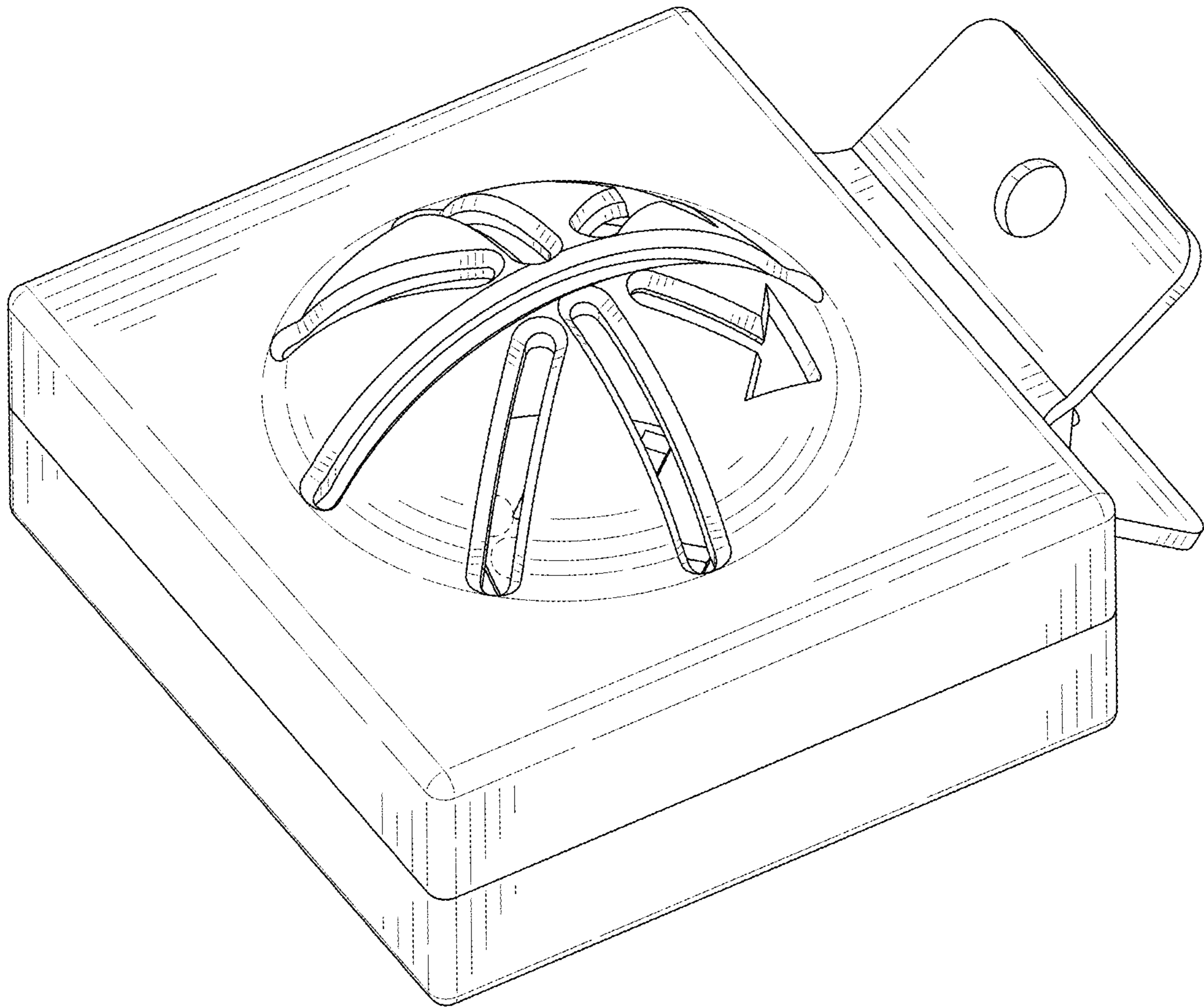


FIG. 1

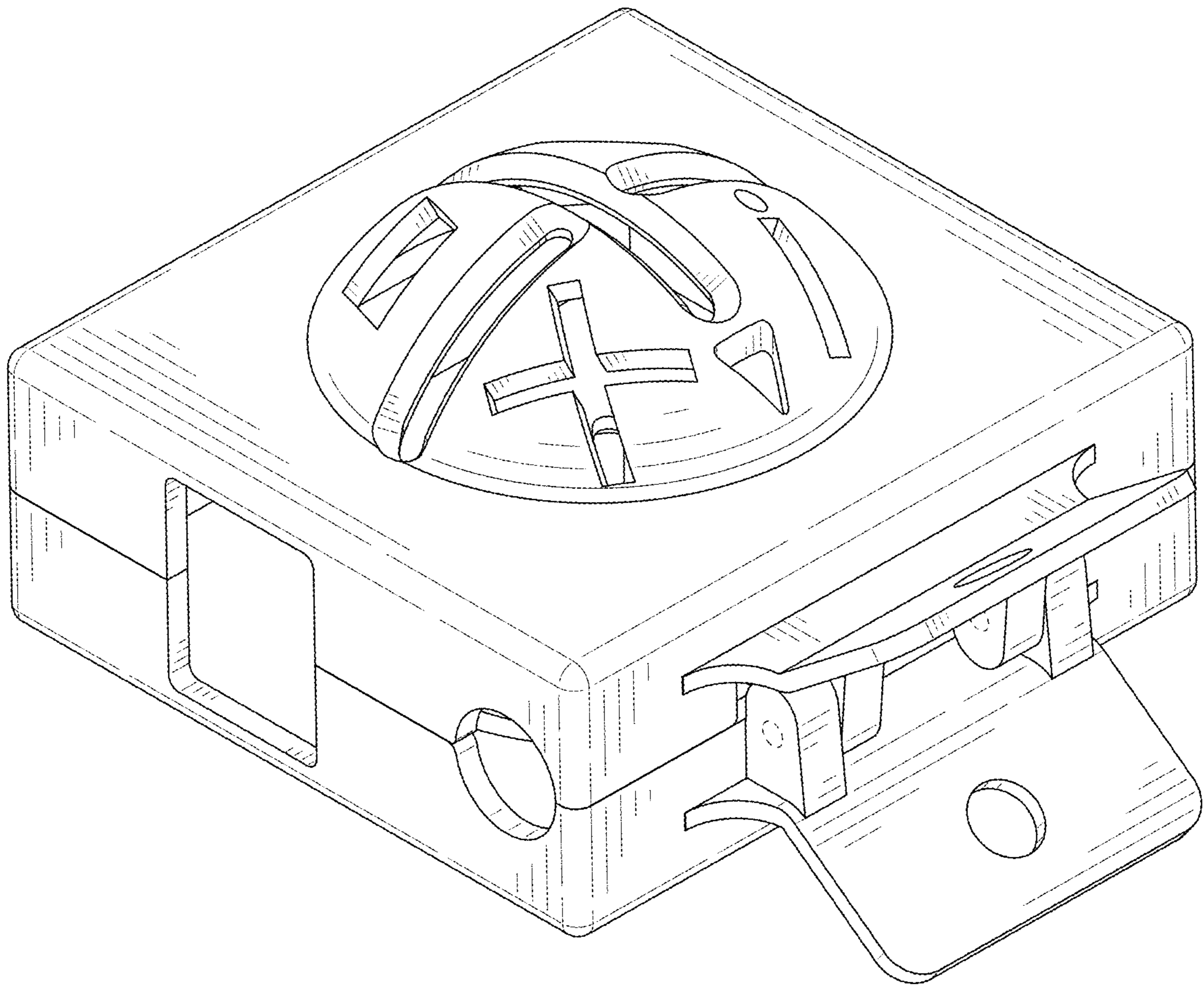


FIG. 2

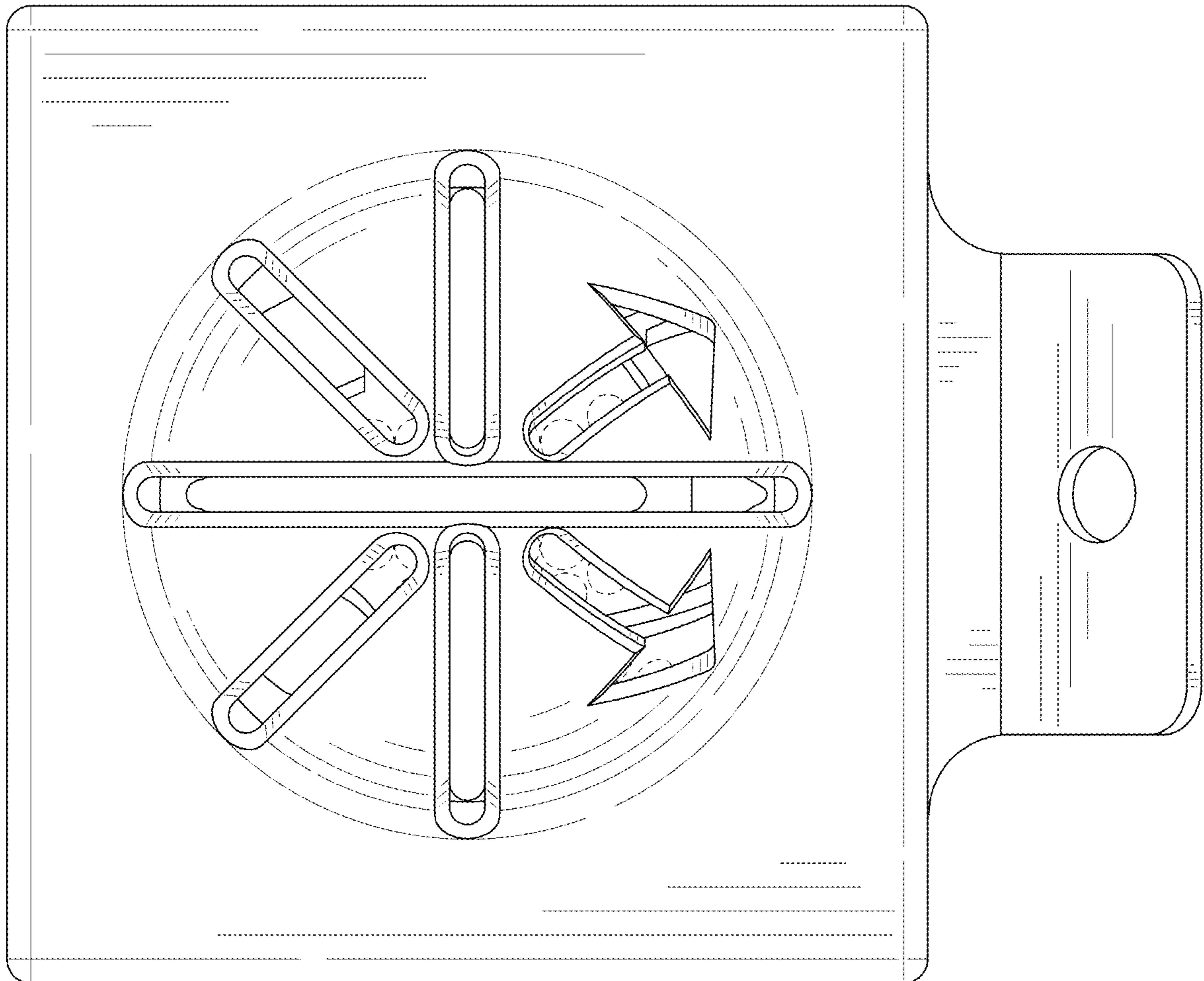


FIG. 3

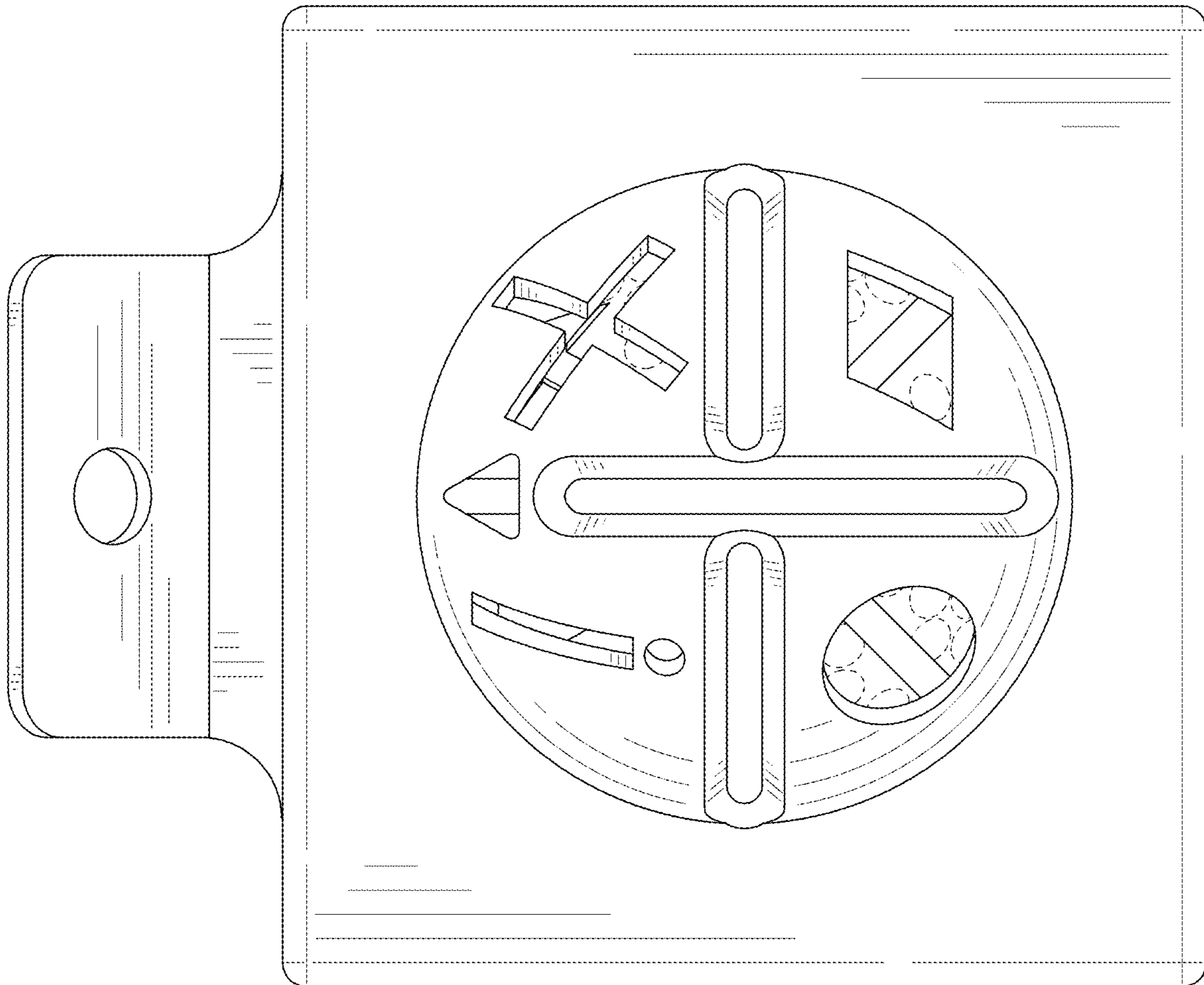


FIG. 4

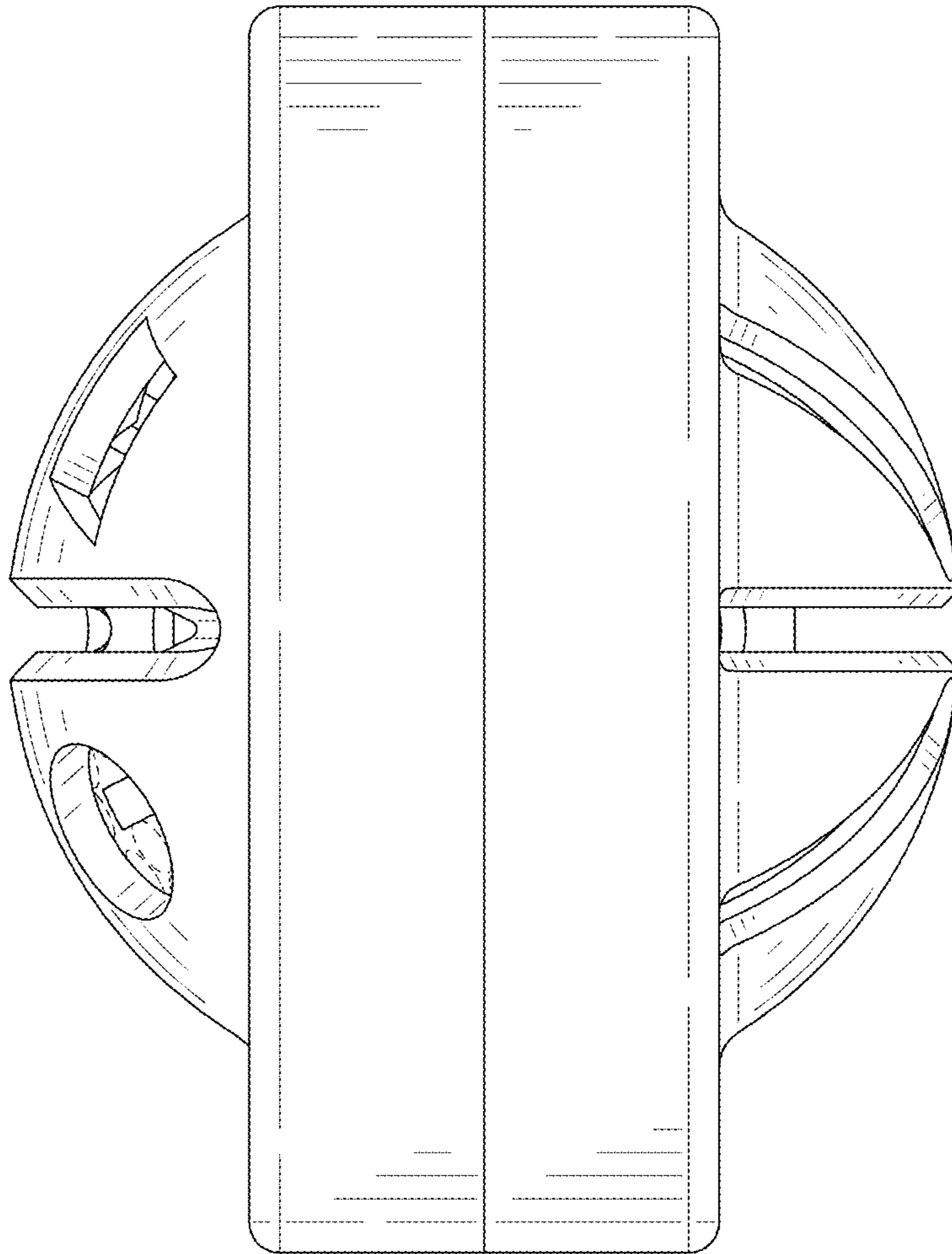


FIG. 5

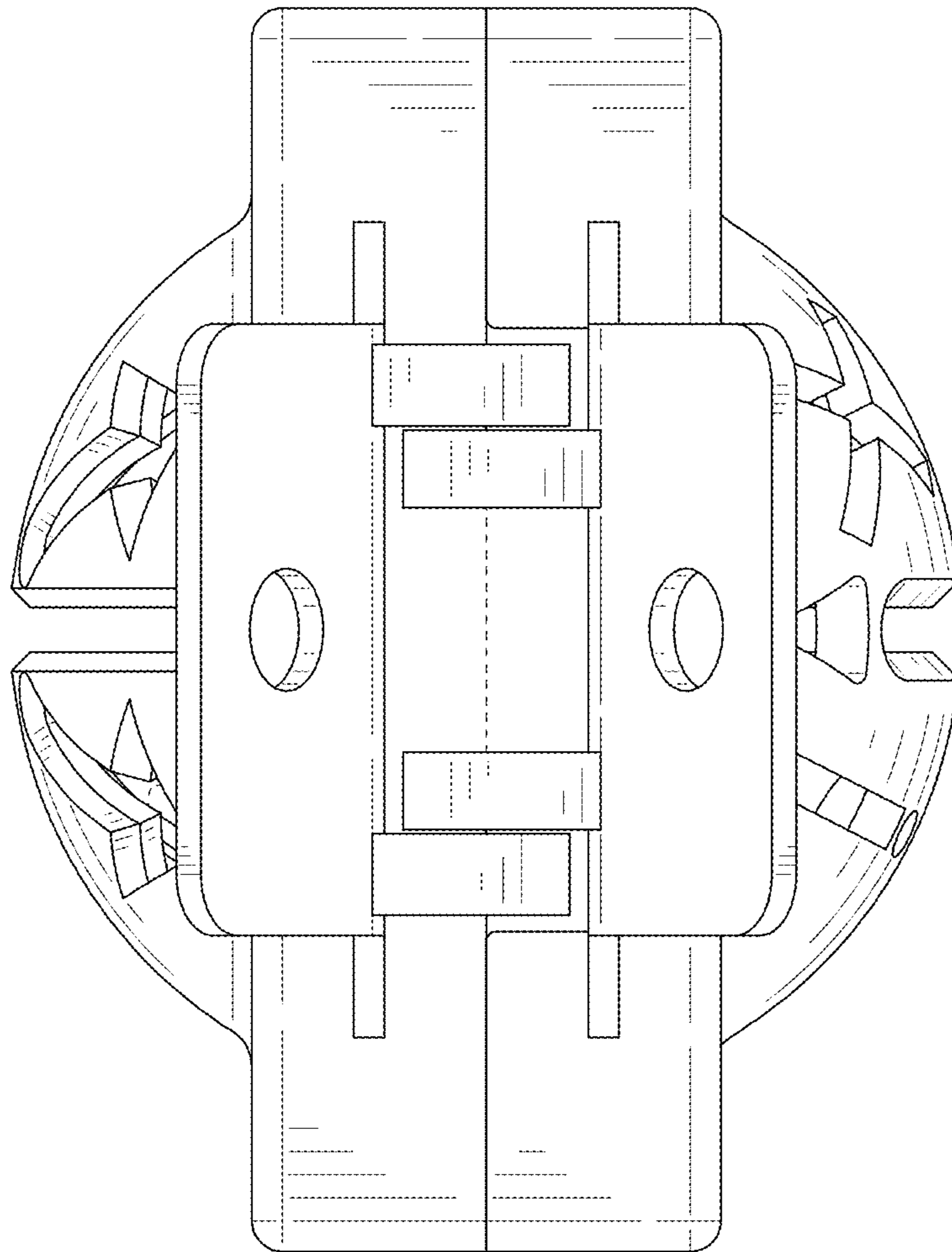


FIG. 6

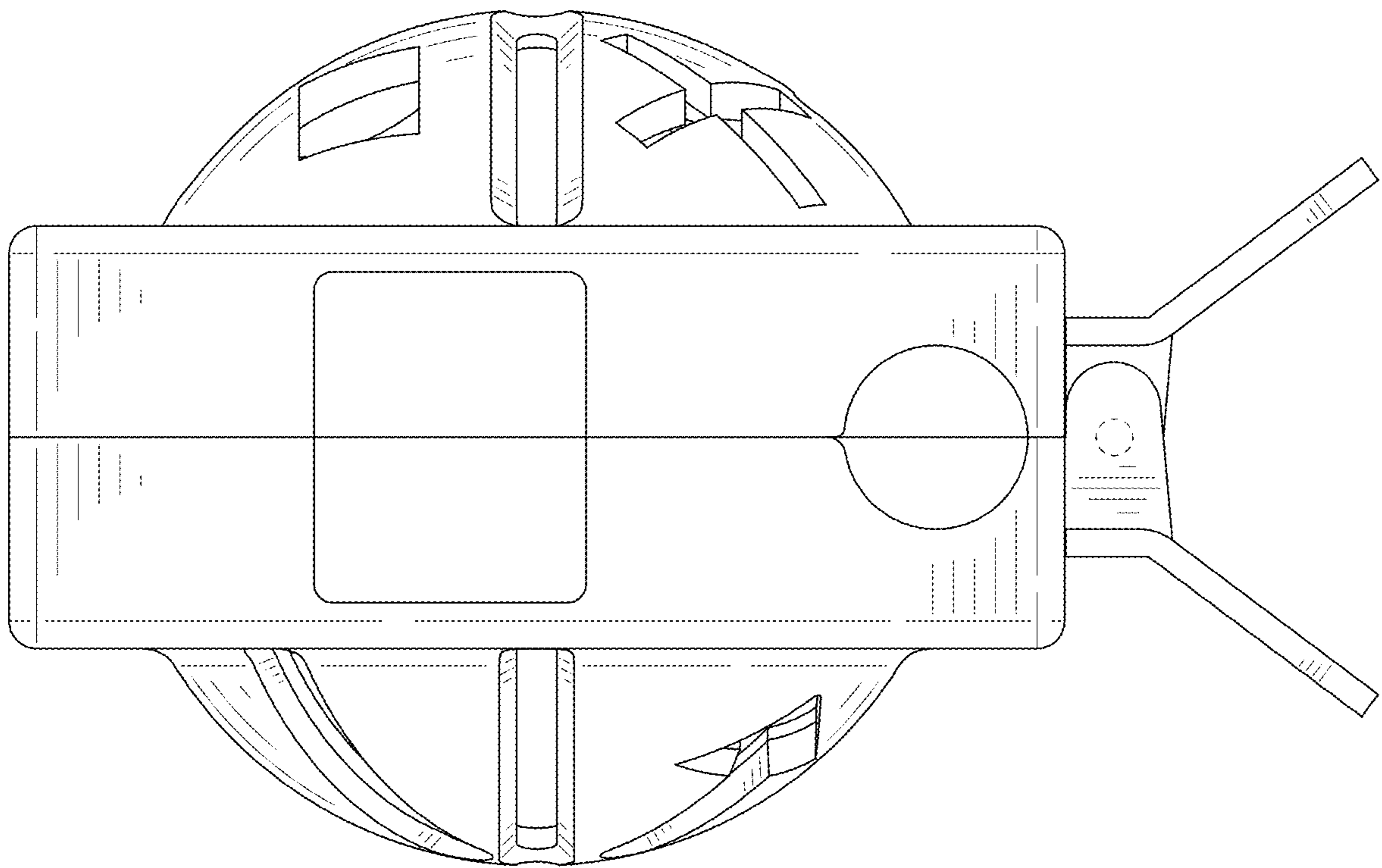


FIG. 7

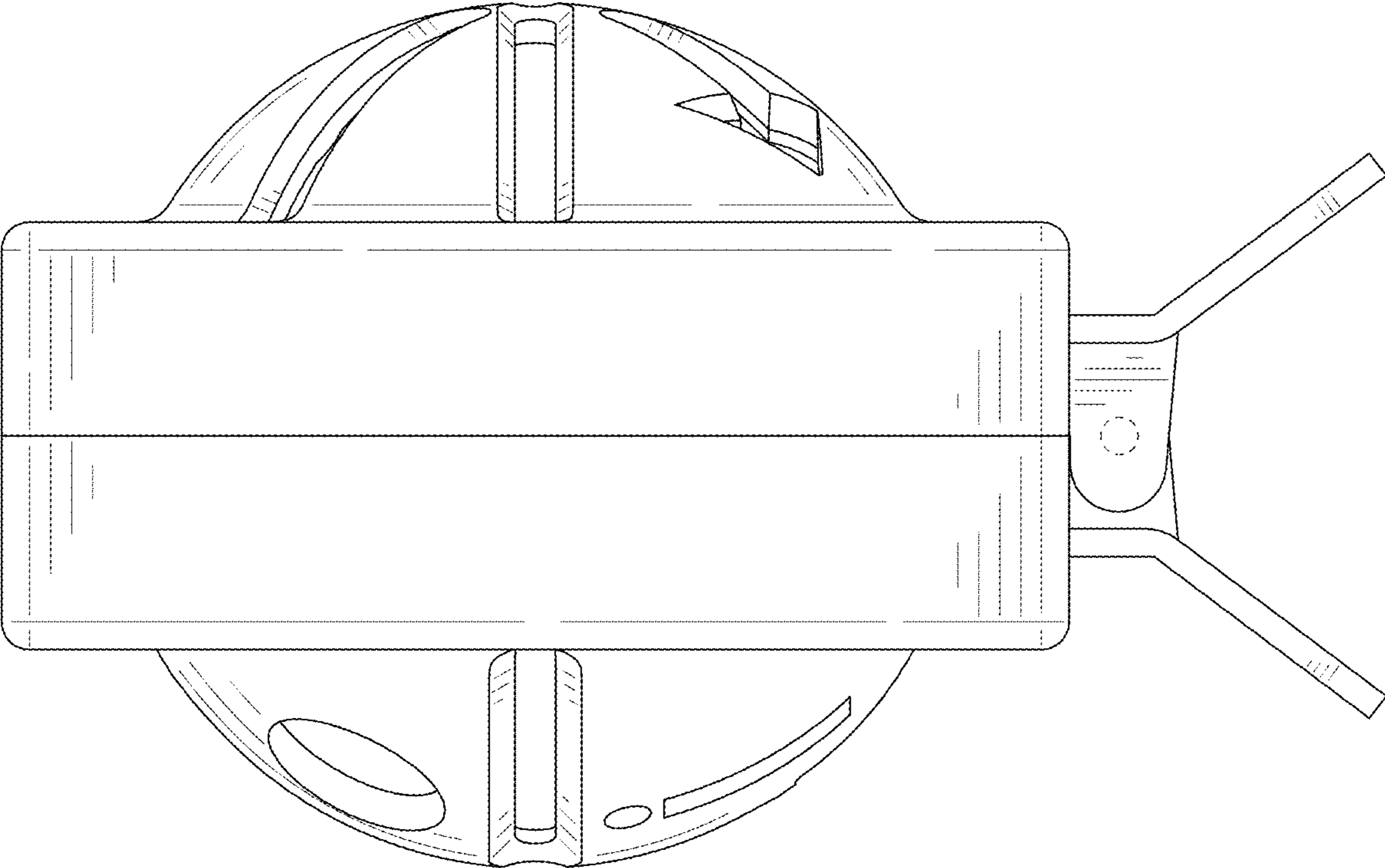


FIG. 8

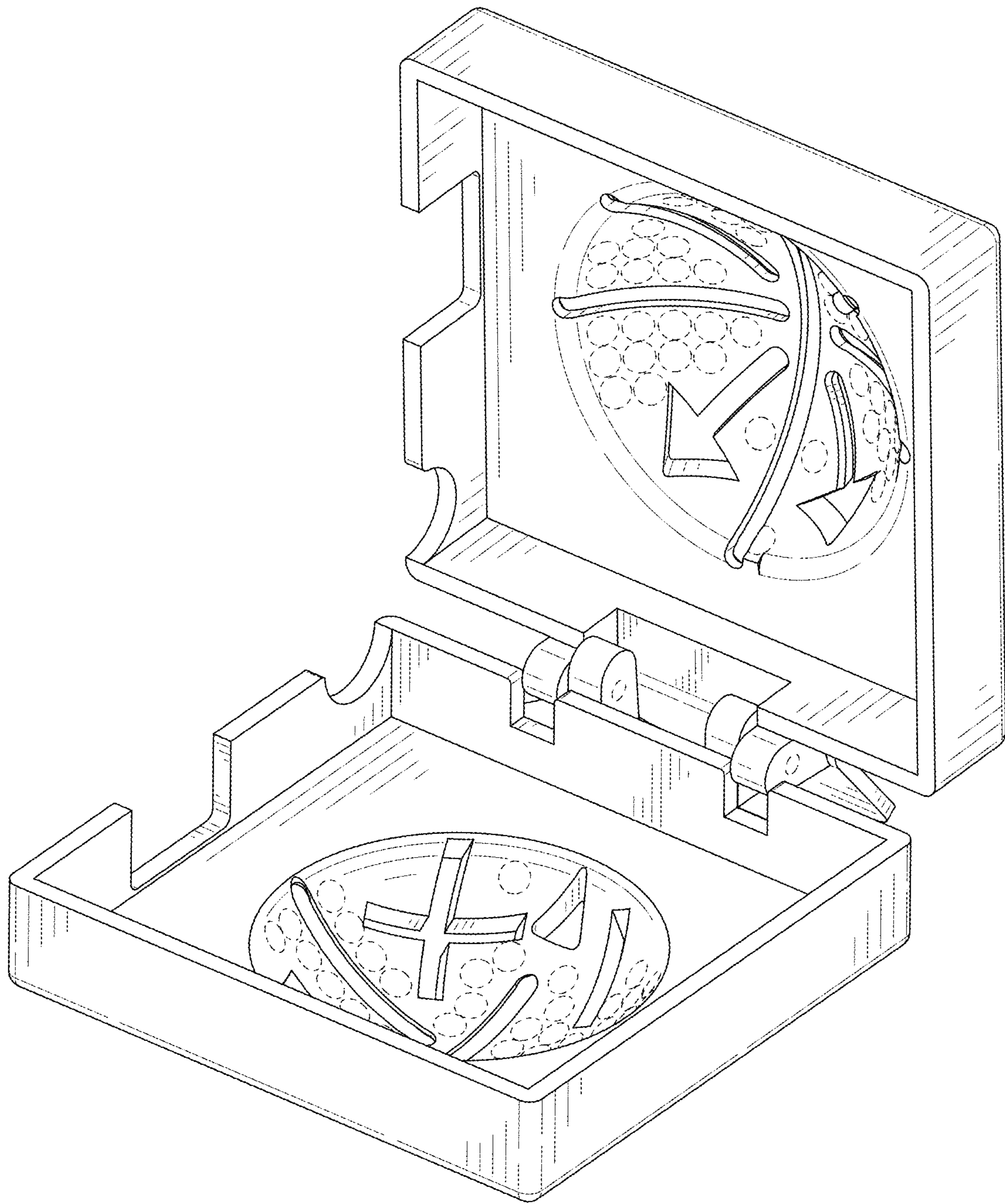


FIG. 9