



US00D953463S

(12) **United States Design Patent**
Rice et al.

(10) **Patent No.:** **US D953,463 S**
(45) **Date of Patent:** **** May 31, 2022**

(54) **GOLF CLUB FACE**

(71) Applicant: **Callaway Golf Company**, Carlsbad, CA (US)

(72) Inventors: **Bradley C. Rice**, Carlsbad, CA (US);
Esteban Aguilar, Carlsbad, CA (US);
Irina Ivanova, San Marcos, CA (US)

(73) Assignee: **Callaway Golf Company**, Carlsbad, CA (US)

(**) Term: **15 Years**

(21) Appl. No.: **29/754,484**

(22) Filed: **Oct. 12, 2020**

Related U.S. Application Data

(63) Continuation-in-part of application No. 29/691,536, filed on May 16, 2019, now Pat. No. Des. 901,612, which is a continuation-in-part of application No. 29/639,785, filed on Mar. 8, 2018, now Pat. No. Des. 857,136.

(51) **LOC (13) Cl.** **21-02**

(52) **U.S. Cl.**
USPC **D21/759**

(58) **Field of Classification Search**
USPC D21/747-751, 759
CPC A63B 53/00; A63B 53/02; A63B 53/04;
A63B 53/047; A63B 53/0475; A63B
2053/0479; A63B 2053/0483; A63B
2053/0445; A63B 60/00; A63B 60/46
See application file for complete search history.

(56) **References Cited**

U.S. PATENT DOCUMENTS

7,594,863 B2 * 9/2009 Ban A63B 53/047
473/331
D606,605 S * 12/2009 Wada D21/759

D607,070 S * 12/2009 Wada D21/759
D607,071 S * 12/2009 Wada D21/759
D612,438 S * 3/2010 Carlyle D21/759
D612,439 S * 3/2010 Carlyle D21/759
D617,406 S * 6/2010 Carlyle D21/759
D633,967 S * 3/2011 Carlyle D21/759
D634,804 S * 3/2011 Beaulieu D21/759
7,976,404 B2 * 7/2011 Golden A63B 53/04
473/330
D643,490 S * 8/2011 Wada D21/759
8,012,036 B2 * 9/2011 Nakamura A63B 53/00
473/290
8,506,420 B2 * 8/2013 Hocknell A63B 53/047
473/331
8,684,861 B2 * 4/2014 Carlyle A63B 53/047
473/331
D707,316 S * 6/2014 Aguayo D21/759
D707,317 S * 6/2014 Aguayo D21/759
8,758,162 B2 * 6/2014 Ban A63B 53/04
473/331

(Continued)

Primary Examiner — Mitchell I. Siegel

(74) *Attorney, Agent, or Firm* — Rebecca Hanovice;
Michael Catania

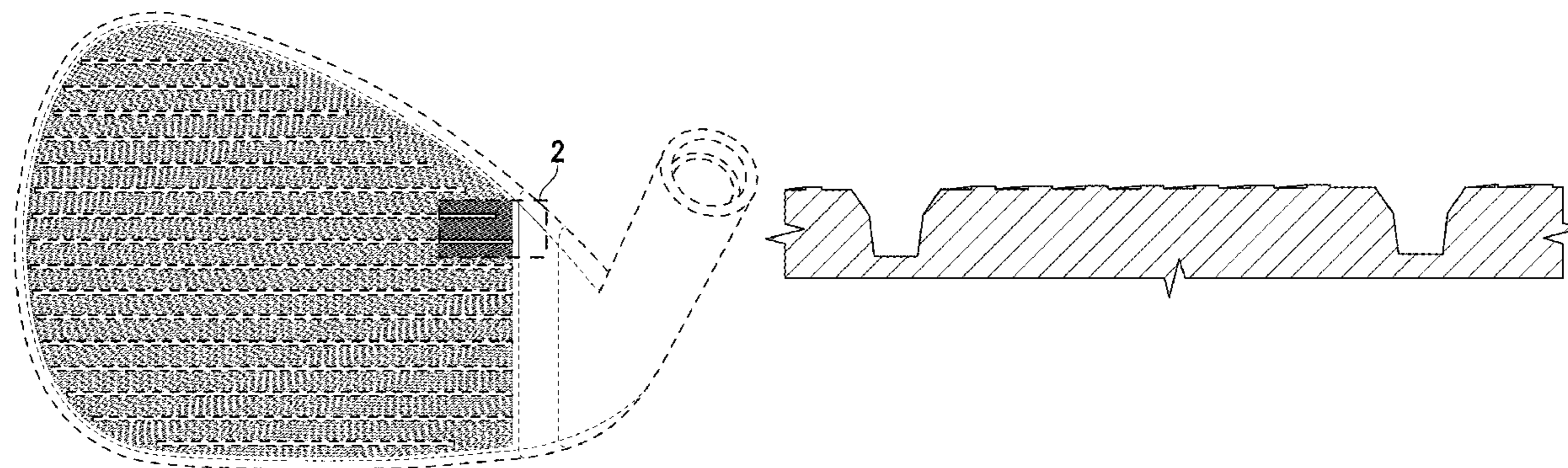
(57) **CLAIM**

The ornamental design for a golf club face, as shown and described.

DESCRIPTION

FIG. 1 is front plan view of the golf club face;
FIG. 2 is an enlarged view of the highlighted region of FIG. 1;
FIG. 3 is a cross-sectional view of the embodiment shown in FIG. 2 along lines 3-3; and,
FIG. 4 is a cross-sectional view of the embodiment shown in FIG. 2 along lines 4-4.
The broken lines in the figures show portions of the golf club face that form no part of the claimed design.

1 Claim, 2 Drawing Sheets



(56)

References Cited

U.S. PATENT DOCUMENTS

8,834,291 B2 * 9/2014 Ban A63B 53/047
473/331
D716,387 S * 10/2014 Aguayo D21/759
D716,388 S * 10/2014 Aguayo D21/759
8,858,361 B2 * 10/2014 Ripp B23C 3/13
473/331
8,979,670 B2 * 3/2015 Aguayo B23K 26/0093
473/331
9,005,046 B2 * 4/2015 Thomas A63B 60/00
473/231
9,028,340 B2 * 5/2015 Ban A63B 53/047
473/331
D756,475 S * 5/2016 Ripp D21/759
D760,854 S * 7/2016 Ripp D21/759
D764,000 S * 8/2016 Gonczi D21/759
D786,379 S * 5/2017 Ivanova D21/759
9,636,757 B1 * 5/2017 Rice B23C 3/30
9,844,709 B2 * 12/2017 Tassistro A63B 53/047
D808,482 S * 1/2018 Ripp D21/759
D820,368 S * 6/2018 Ripp D21/759
D820,369 S * 6/2018 Ripp D21/759
D820,931 S * 6/2018 Ripp D21/759
D845,417 S * 4/2019 Ripp A63B 53/04
D21/759
10,258,841 B2 * 4/2019 Aguayo A63B 53/047
D857,136 S * 8/2019 Rice D21/759
D901,612 S * 11/2020 Rice D21/759
2008/0020859 A1 * 1/2008 Yamagishi A63B 53/047
473/324
2009/0247318 A1 * 10/2009 Ban A63B 53/047
473/331

* cited by examiner

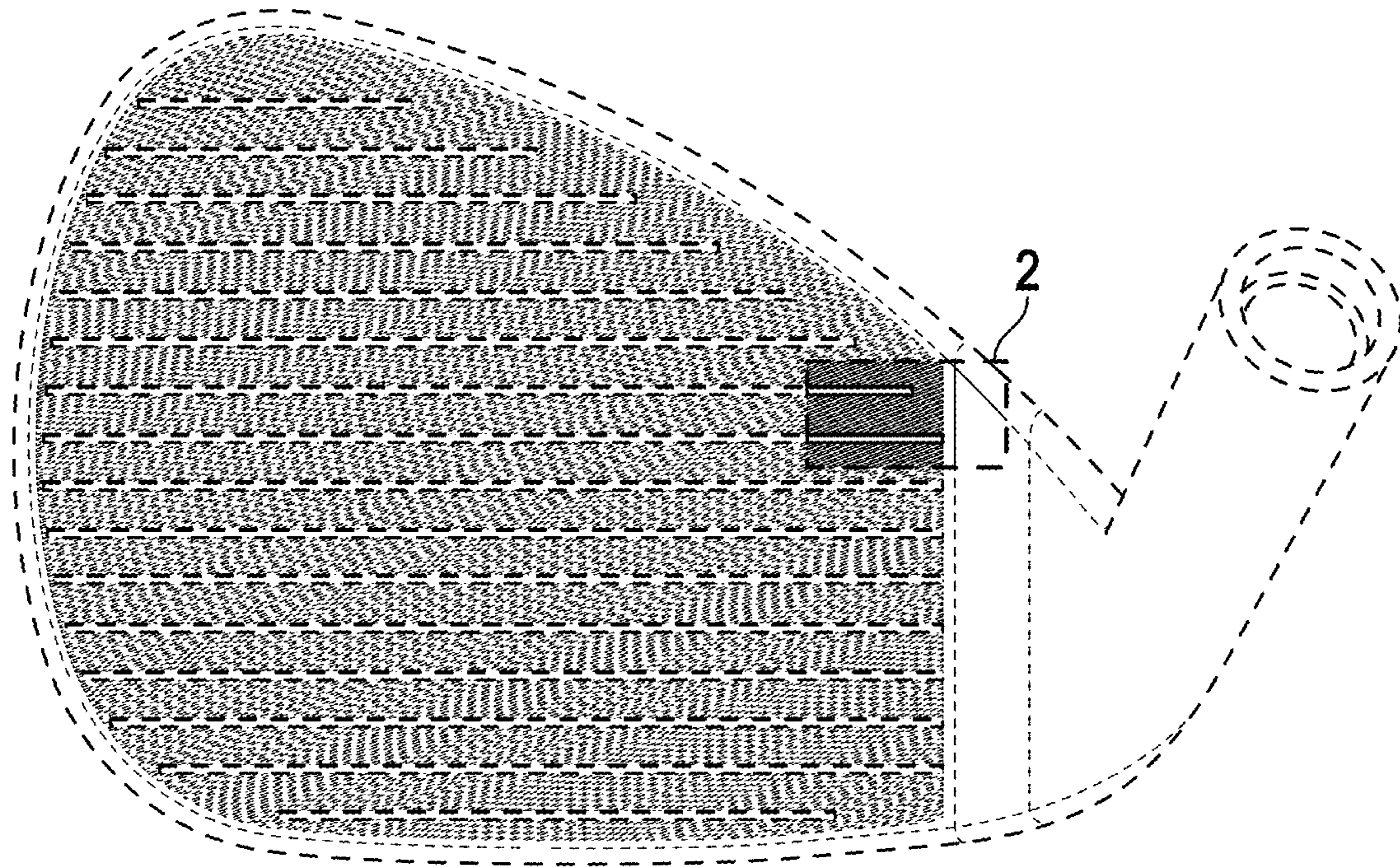


FIG. 1

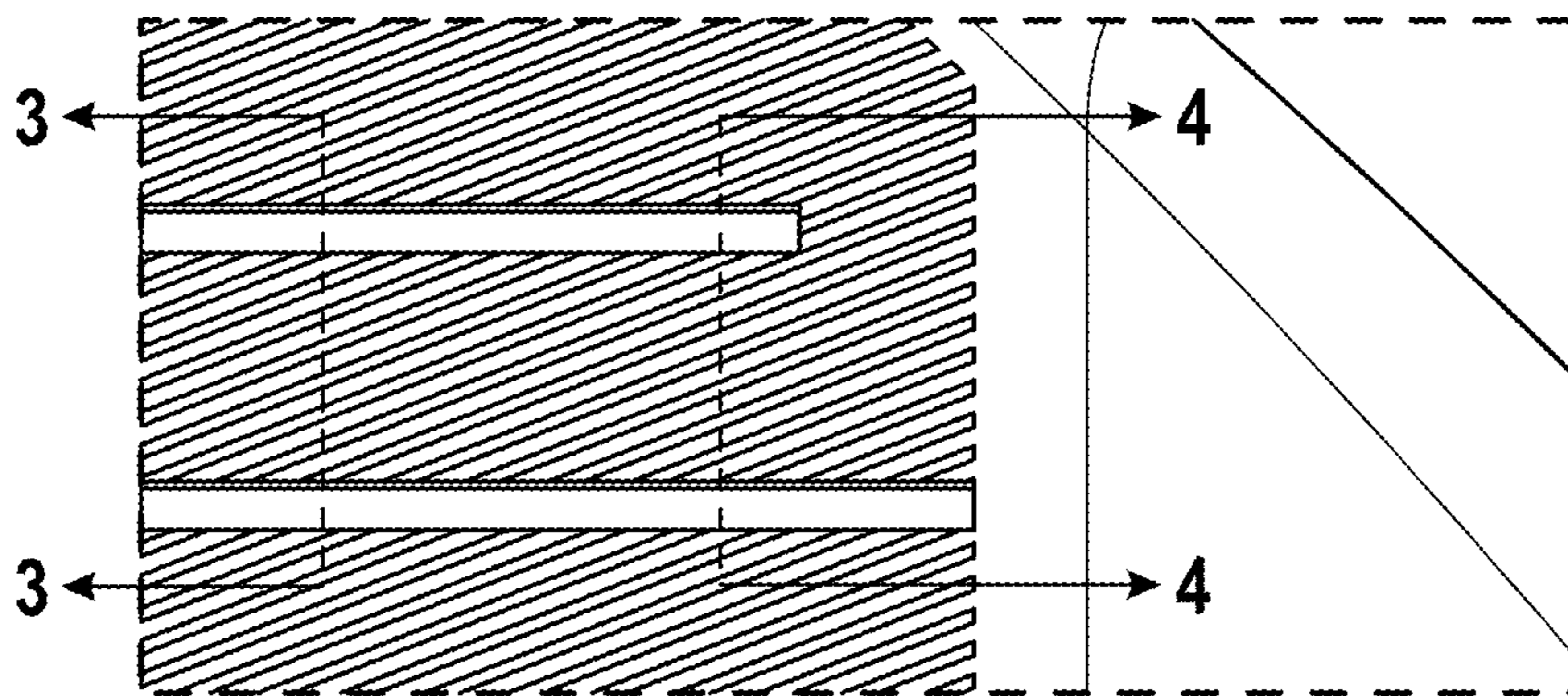


FIG. 2



FIG. 3

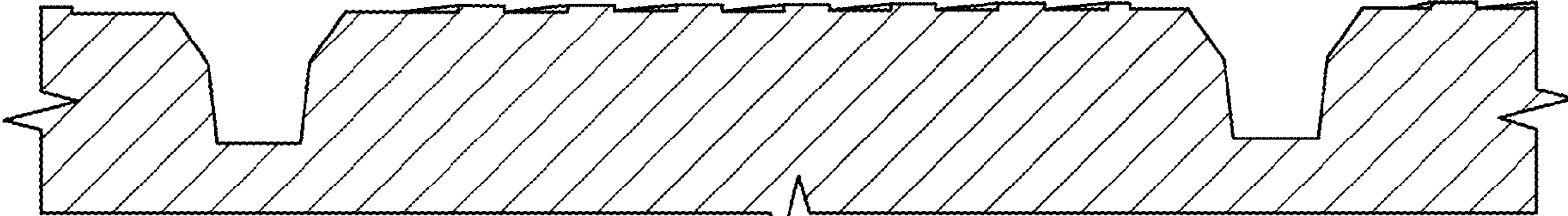


FIG. 4