



US00D953462S

(12) **United States Design Patent** (10) **Patent No.:** **US D953,462 S**
Chen (45) **Date of Patent:** **** May 31, 2022**

(54) **GRIP NON-SLIP SHEATH**

D737,915 S * 9/2015 Su D21/756
D846,674 S * 4/2019 Yan D21/756
D873,138 S * 1/2020 Cramton D9/451

(71) Applicant: **Yicong Chen**, Fujian (CN)

(72) Inventor: **Yicong Chen**, Fujian (CN)

(**) Term: **15 Years**

FOREIGN PATENT DOCUMENTS

CN 306613808 * 6/2021
CN 307020534 * 12/2021

(21) Appl. No.: **29/751,626**

(22) Filed: **Sep. 22, 2020**

(51) **LOC (13) Cl.** **21-02**

(52) **U.S. Cl.**

USPC **D21/756**

(58) **Field of Classification Search**

USPC D21/753, 756-758, 725, 729-732;
D8/80, 83, 94, 97, 107, 300, 321

CPC ... A63B 60/06-34; A63B 60/00; A63B 60/46;
A63B 59/60-80; A63B 49/00-14; A63B
53/14

See application file for complete search history.

OTHER PUBLICATIONS

Bat grip sheath google search; google.com; Mar. 22, 2022.*
Racket grip sheath google search; google.com; Mar. 22, 2022.*
Golf grip sheath google search; google.com; Mar. 22, 2022.*

* cited by examiner

Primary Examiner — Mitchell I. Siegel

(57) **CLAIM**

The ornamental design for a grip non-slip sheath, as shown and described.

DESCRIPTION

FIG. 1 is a perspective view of a grip non-slip sheath showing my new design;

FIG. 2 is a front elevation view thereof;

FIG. 3 is a back elevation view thereof;

FIG. 4 is a left side view thereof;

FIG. 5 is a right side view thereof;

FIG. 6 is a top plan view thereof; and,

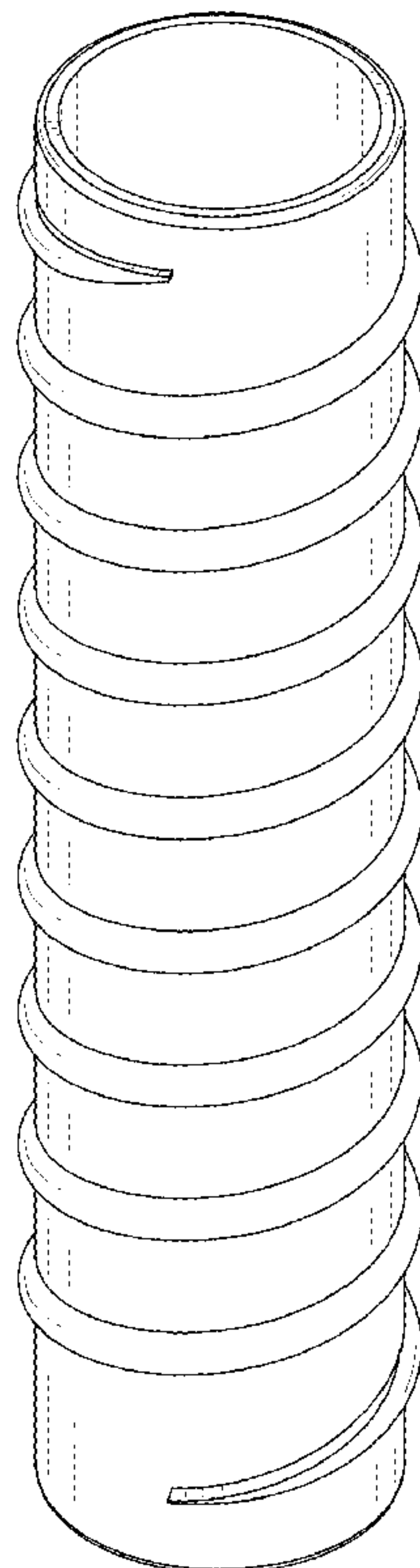
FIG. 7 is a bottom plan view thereof.

1 Claim, 7 Drawing Sheets

(56) **References Cited**

U.S. PATENT DOCUMENTS

1,638,454 A * 8/1927 Papin A63B 60/10
D21/756
3,140,873 A * 7/1964 Goodwin A63B 60/14
473/549
D352,755 S * 11/1994 Cornish, III D21/733
D359,541 S * 6/1995 Lamanna D21/757
D378,771 S * 4/1997 Antonious D21/757
D637,673 S * 5/2011 Lidenberg D21/756
D668,307 S * 10/2012 Grimm D21/725



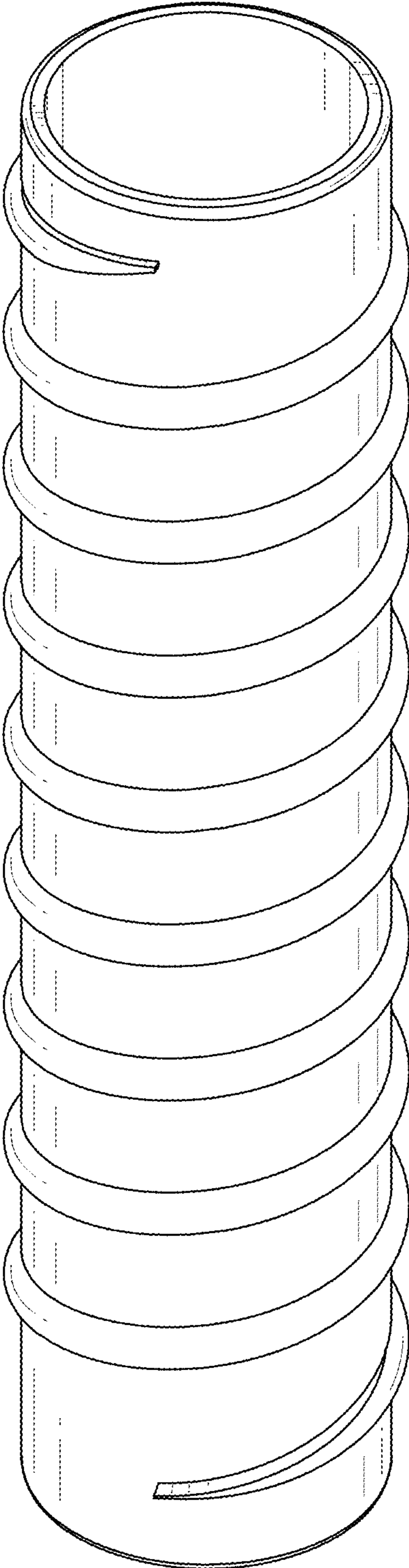


FIG. 1

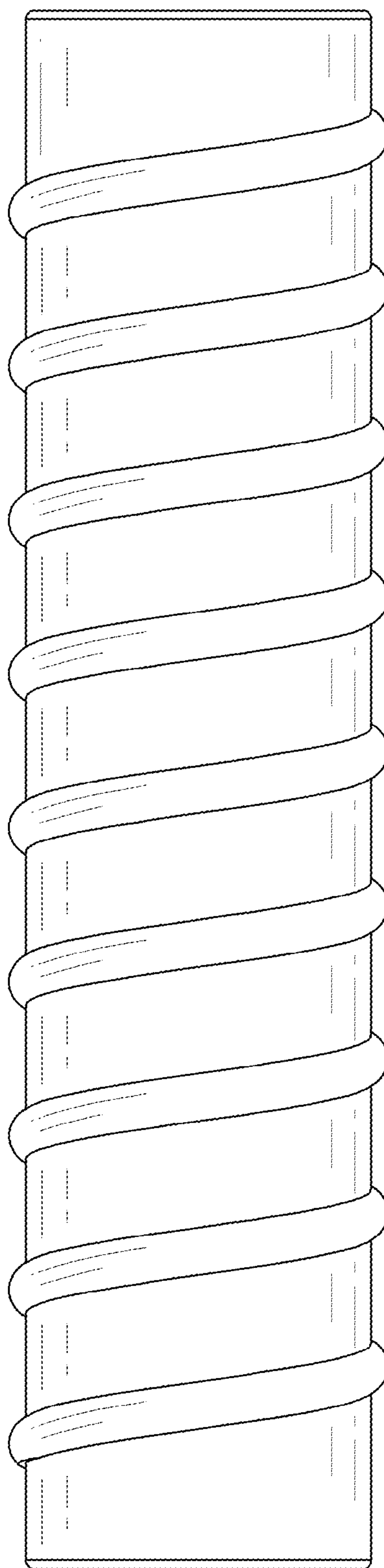


FIG. 2

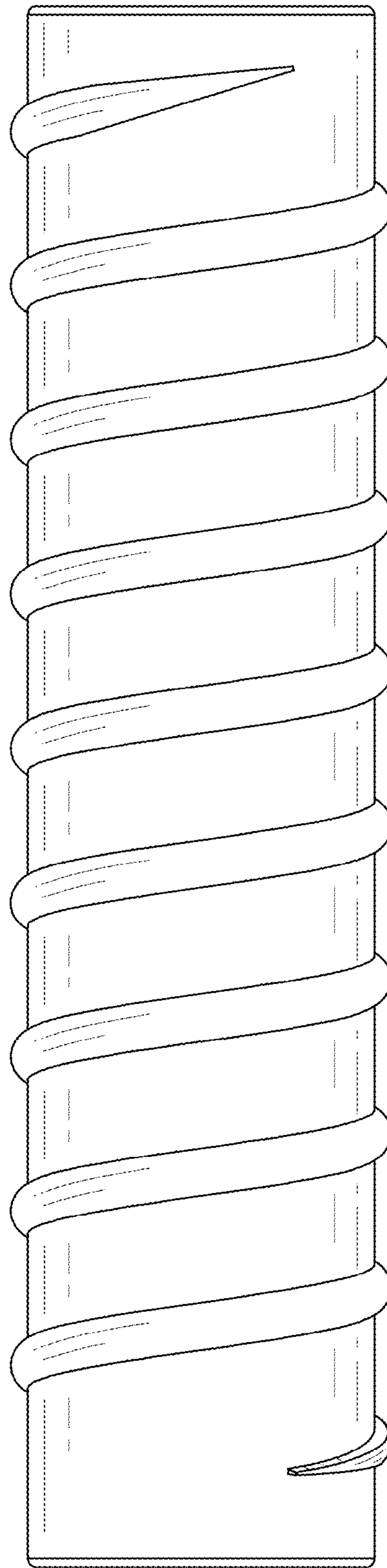


FIG. 3

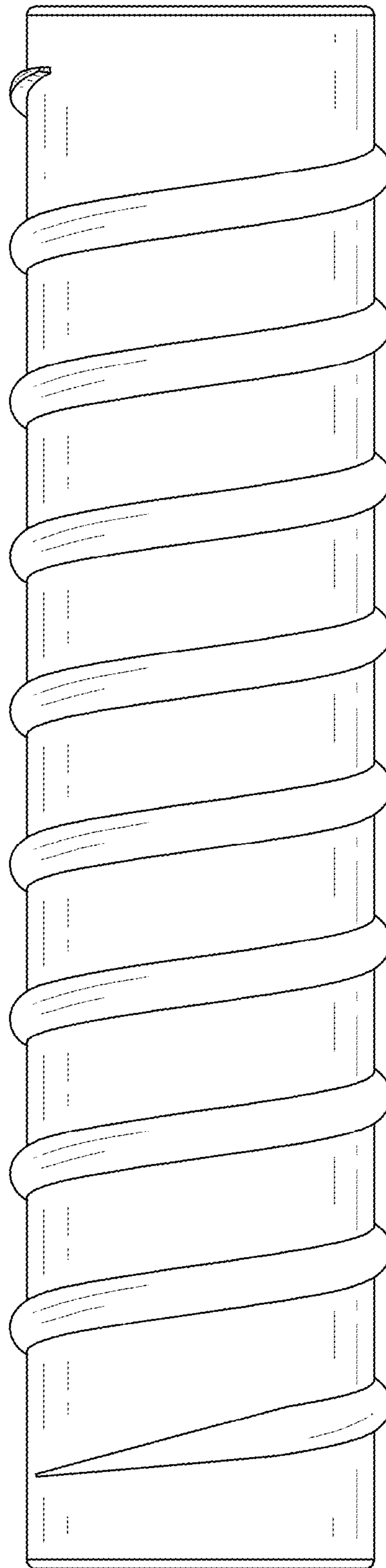


FIG. 4

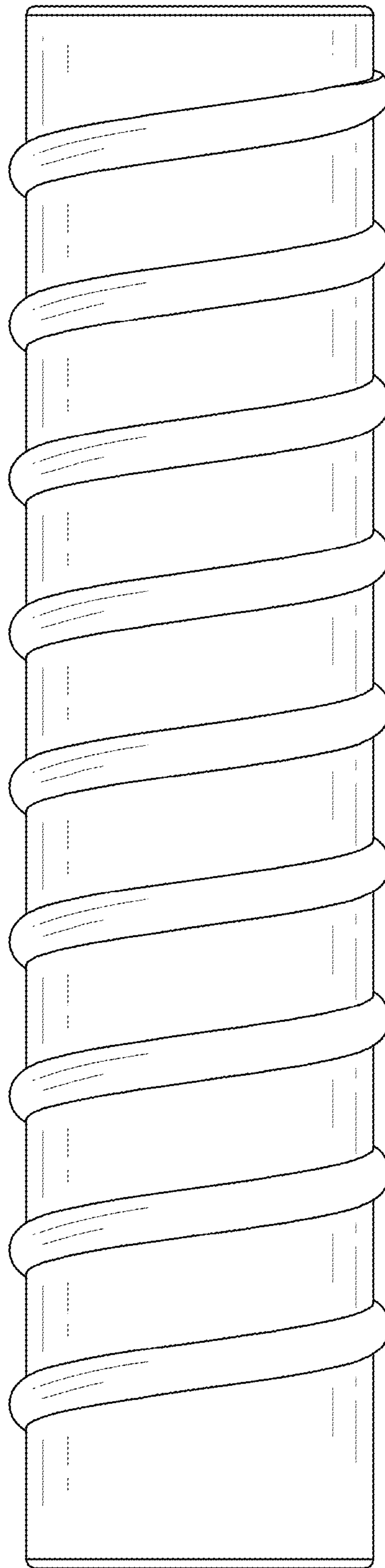


FIG. 5

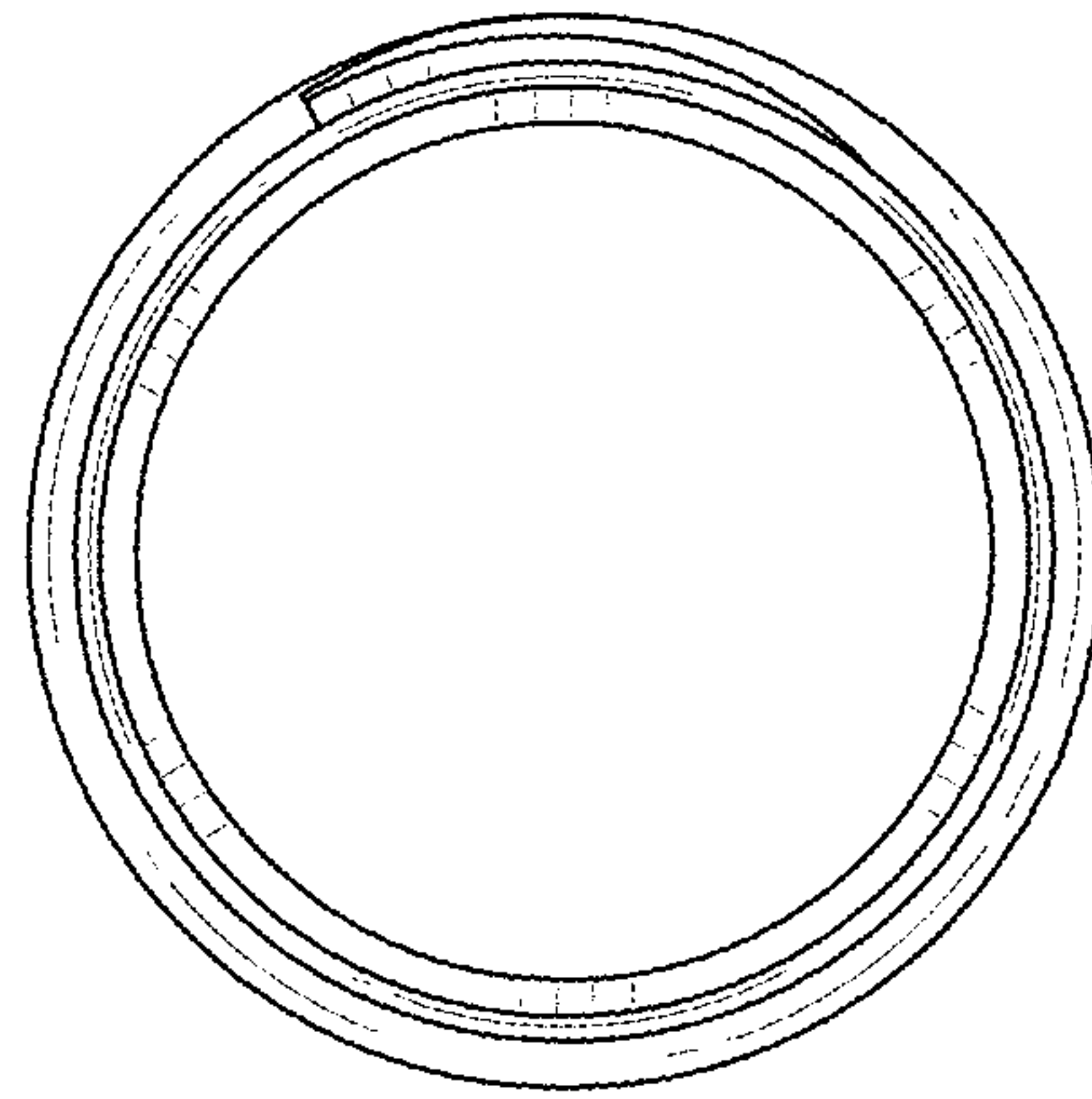


FIG. 6

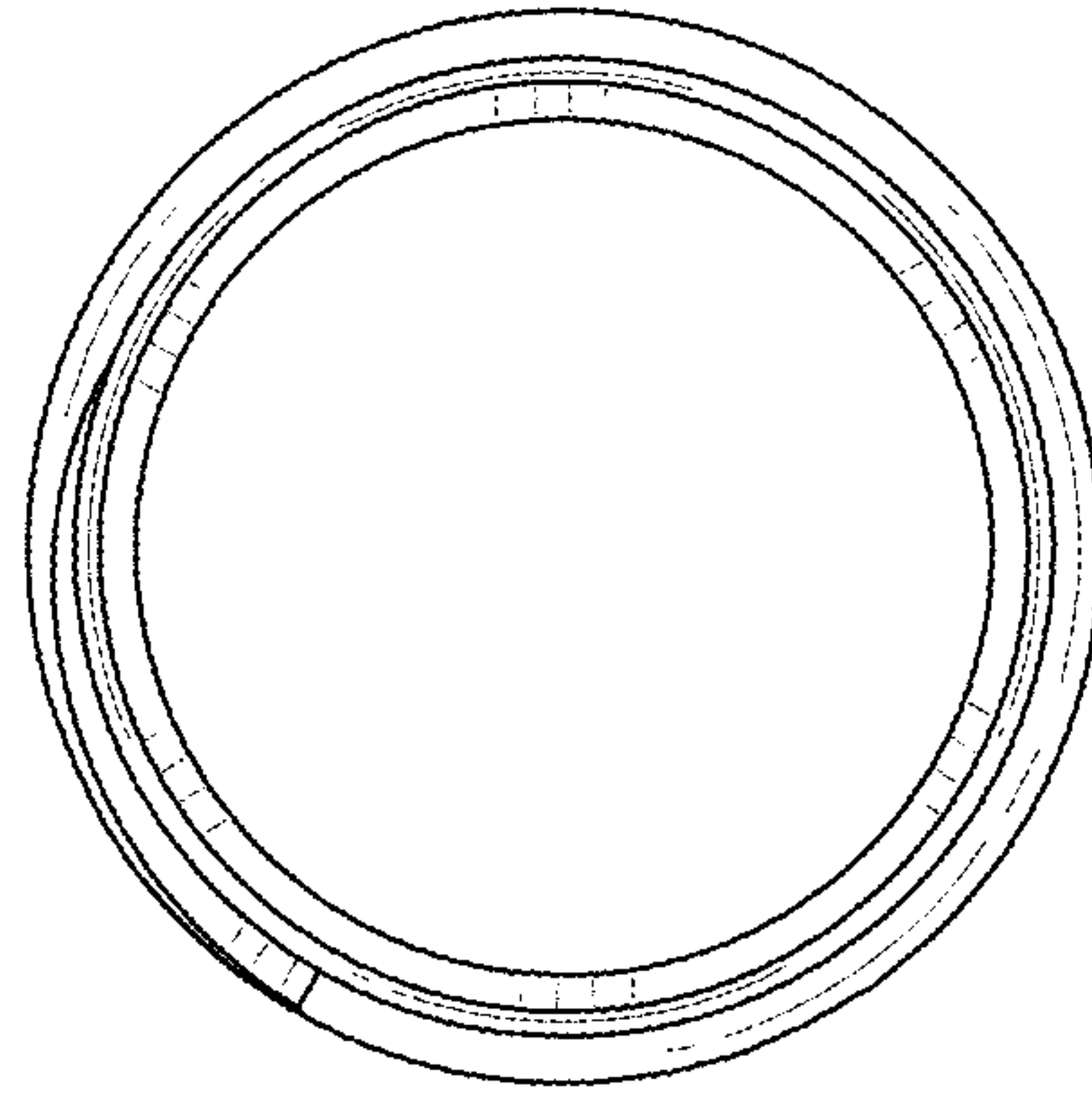


FIG. 7