



US00D953459S

(12) **United States Design Patent**
Huang

(10) **Patent No.:** **US D953,459 S**
(45) **Date of Patent:** **** May 31, 2022**

(54) **FLOATING BASKETBALL HOOP**
(71) Applicant: **Zhicheng Huang**, Shantou (CN)
(72) Inventor: **Zhicheng Huang**, Shantou (CN)
(**) Term: **15 Years**

4,595,199 A * 6/1986 Offutt A63B 63/083
473/435
4,759,518 A * 7/1988 Yargas B65B 67/12
248/97
D301,788 S * 6/1989 Werner D34/5
(Continued)

(21) Appl. No.: **29/766,139**

FOREIGN PATENT DOCUMENTS

(22) Filed: **Jan. 13, 2021**

CN 306107203 * 10/2020
CN 306462788 * 4/2021

(51) **LOC (13) Cl.** **21-01**

(52) **U.S. Cl.**

USPC **D21/701**; D21/781; D21/801

(58) **Field of Classification Search**

USPC D21/699, 701, 781, 801, 703, 704, 705,
D21/303, 305, 530; D6/656.12, 656.13,
D6/692.4, 696.3, 697.1, 708.16; D34/1,
D34/4, 5; D32/37; D19/82, 95; D7/400,
D7/507, 601, 608

CPC A63B 63/00; A63B 63/06; A63B 63/08;
A63B 63/083; A63B 69/0071; A63B
2063/006; A63B 67/007; A63B 2225/60;
A63B 2225/605; A47B 2220/11; B65F
1/00; B65F 1/02; Y10S 220/908

See application file for complete search history.

OTHER PUBLICATIONS

GoSports Splash Hoop, available on Amazon.com, date first avail-
able Feb. 1, 2019, [site visited Feb. 7, 2022], URL: <https://www.amazon.com/GoSports-Splash-Floating-Basketball-Water/dp/B07NC6WFC6/> (Year: 2019).*

(Continued)

Primary Examiner — Dana K Weiland
Assistant Examiner — Emily Anna Saunders

(57) **CLAIM**

The ornamental design for a floating basketball hoop, as shown and described.

DESCRIPTION

(56) **References Cited**

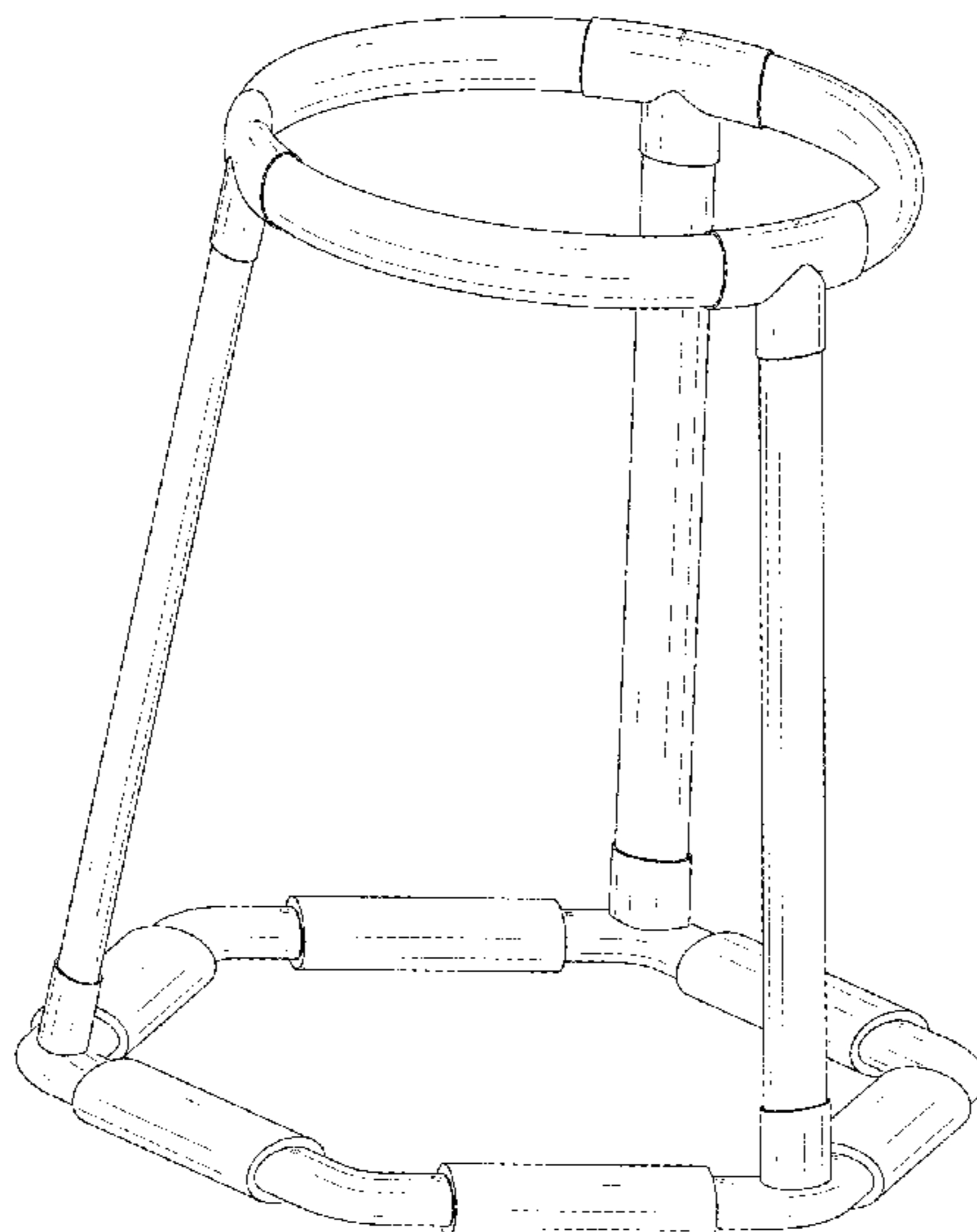
U.S. PATENT DOCUMENTS

2,780,081 A * 2/1957 Alexander A47J 31/44
D7/619.1
3,469,844 A * 9/1969 Sindelar A63B 63/083
273/350
3,650,384 A * 3/1972 Pegg A47F 5/0037
211/1
3,656,749 A * 4/1972 Reyes A63B 63/08
273/350
D249,317 S * 9/1978 Korn D7/619.1
D274,880 S * 7/1984 Bentson D7/630
4,562,983 A * 1/1986 Kiefbeck B65B 67/12
248/97

FIG. 1 is a first perspective view of a floating basketball hoop showing my new design;
FIG. 2 is a second perspective view thereof;
FIG. 3 is a front view thereof;
FIG. 4 is a back view thereof;
FIG. 5 is a left side view thereof;
FIG. 6 is a right side view thereof;
FIG. 7 is a top view thereof; and,
FIG. 8 is a bottom view thereof.

The broken lines shown in the drawings depict portions of the floating basketball hoop in which the design is embodied that form no part of the claimed design.

1 Claim, 8 Drawing Sheets



(56)

References Cited

U.S. PATENT DOCUMENTS

D317,104	S *	5/1991	Lyon	D9/434
5,393,023	A *	2/1995	Callan	B65B 67/1205 248/153
5,524,881	A *	6/1996	Edward	A63B 63/08 403/372
D380,318	S *	7/1997	Horvath	D6/692.4
D396,766	S *	8/1998	Saban	D6/688.1
D396,917	S *	8/1998	McCray, Jr.	D34/5
D422,390	S *	4/2000	Chipman	D34/6
7,284,732	B1 *	10/2007	Lopa	B65F 1/1415 248/101
D563,732	S *	3/2008	Goodman	D7/624.1
D650,543	S *	12/2011	Smart	D34/6
8,766,074	B1 *	7/2014	Flores	G10D 13/02 84/421
D786,593	S *	5/2017	Almaghlouth	D6/692.4
D882,201	S *	4/2020	Low	D34/6
2004/0102260	A1 *	5/2004	Chia	A63B 63/083 273/350
2005/0197197	A1 *	9/2005	Scott	A63B 63/08 473/173
2021/0260455	A1 *	8/2021	Samp	A63B 63/08

FOREIGN PATENT DOCUMENTS

CN	306563523	*	5/2021
CN	306588888	*	6/2021
CN	306826308	*	9/2021

OTHER PUBLICATIONS

Pool Basketball Hoop, available on Amazon.com, oldest customer review with photo Apr. 16, 2021, [site visited Feb. 7, 2022], URL: <https://www.amazon.com/FOSUBOO-Basketball-Floating-Swimming-Inflatable/dp/B08RS84WNH/> (Year: 2021).*

Basketball Hoop Sets, available on Amazon.com, oldest customer review Jun. 25, 2021, [site visited Feb. 7, 2022], URL: <https://www.amazon.com/AOLUXLM-Pool-Toys-Basketball-Hoop/dp/B092W1D9DL/> (Year: 2021).*

Swimline Basketball Game, available on Walmart.com, oldest customer review Jul. 3, 2016, [site visited Feb. 7, 2022], URL: <https://www.walmart.com/ip/Swimline-24-Water-Sports-Tall-Boy-Floating-Basketball-Swimming-Pool-Game-White-Blue/24050004> (Year: 2020).*

HAHAKEE Pool Basketball, available on Amazon.com, oldest customer review Sep. 1, 2021, [site visited Feb. 7, 2022], URL: <https://www.amazon.com/HAHAKEE-Basketball-Swimming-Adults-Include/dp/B08W33DP16> (Year: 2021).*

ULEFIX Pool Toys Pool Basketball Hoop, available on Amazon.com, oldest customer review Jun. 26, 2021, [site visited Feb. 7, 2022], URL: <https://www.amazon.com/ULEFIX-Basketball-Adults-Family-Swimming/dp/B096LZQZG4/> (Year: 2021).*

Basketball Hoop Set, available on Amazon.com, release date Mar. 6, 2019, [site visited Feb. 7, 2022], URL: <https://www.amazon.com/Hey-Play-Set-Basketball-Included-Floating-Adults-Pool/dp/B07PHZPMWQ/> (Year: 2019).*

Bestway Splash Hoop, available on Walmart.com, oldest customer review Jul. 6, 2021, [site visited Feb. 7, 2022], URL: <https://www.walmart.com/ip/Bestway-H2OGO-24-Splash-N-Hoop-Water-Game/413808398> (Year: 2021).*

* cited by examiner

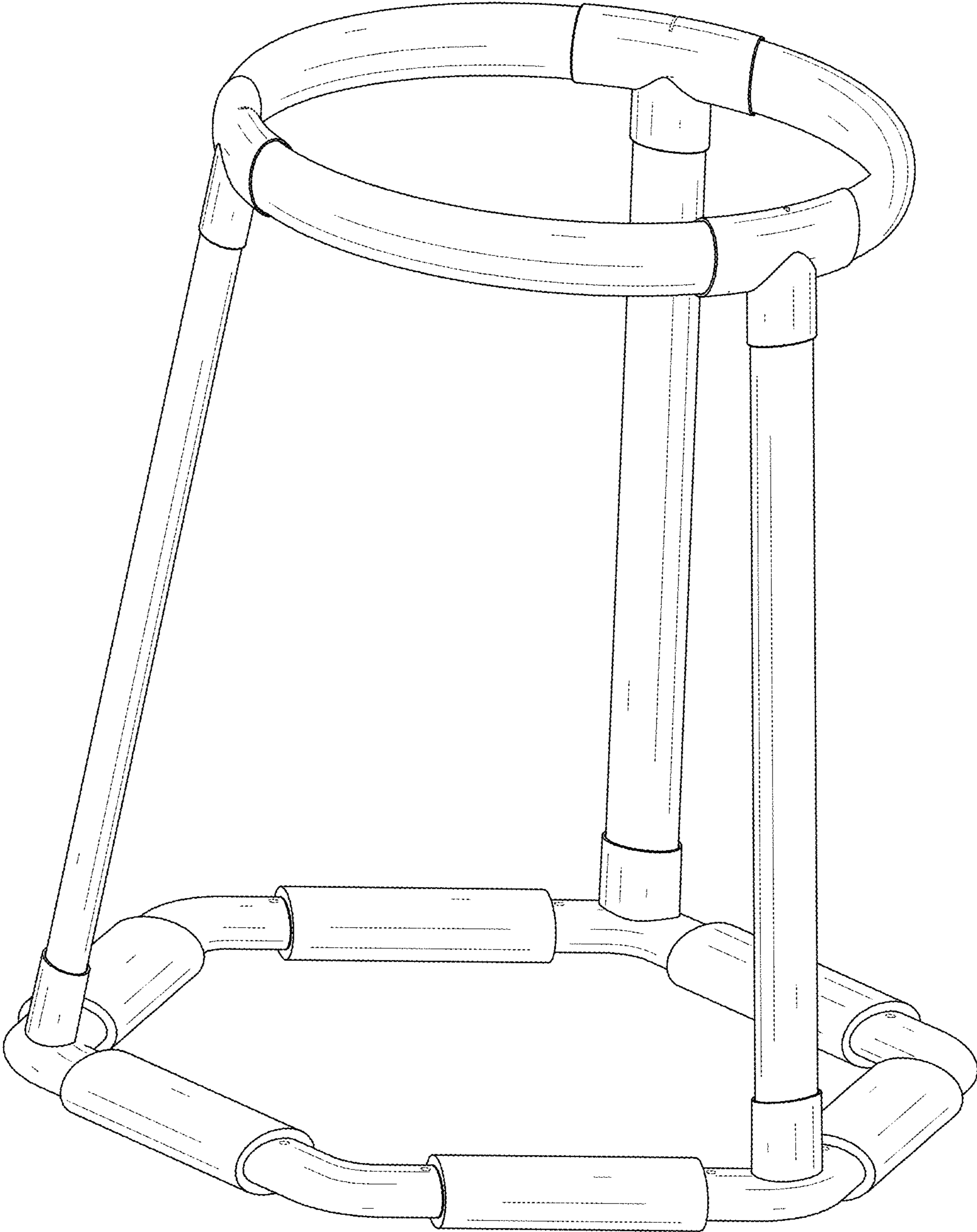


FIG. 1

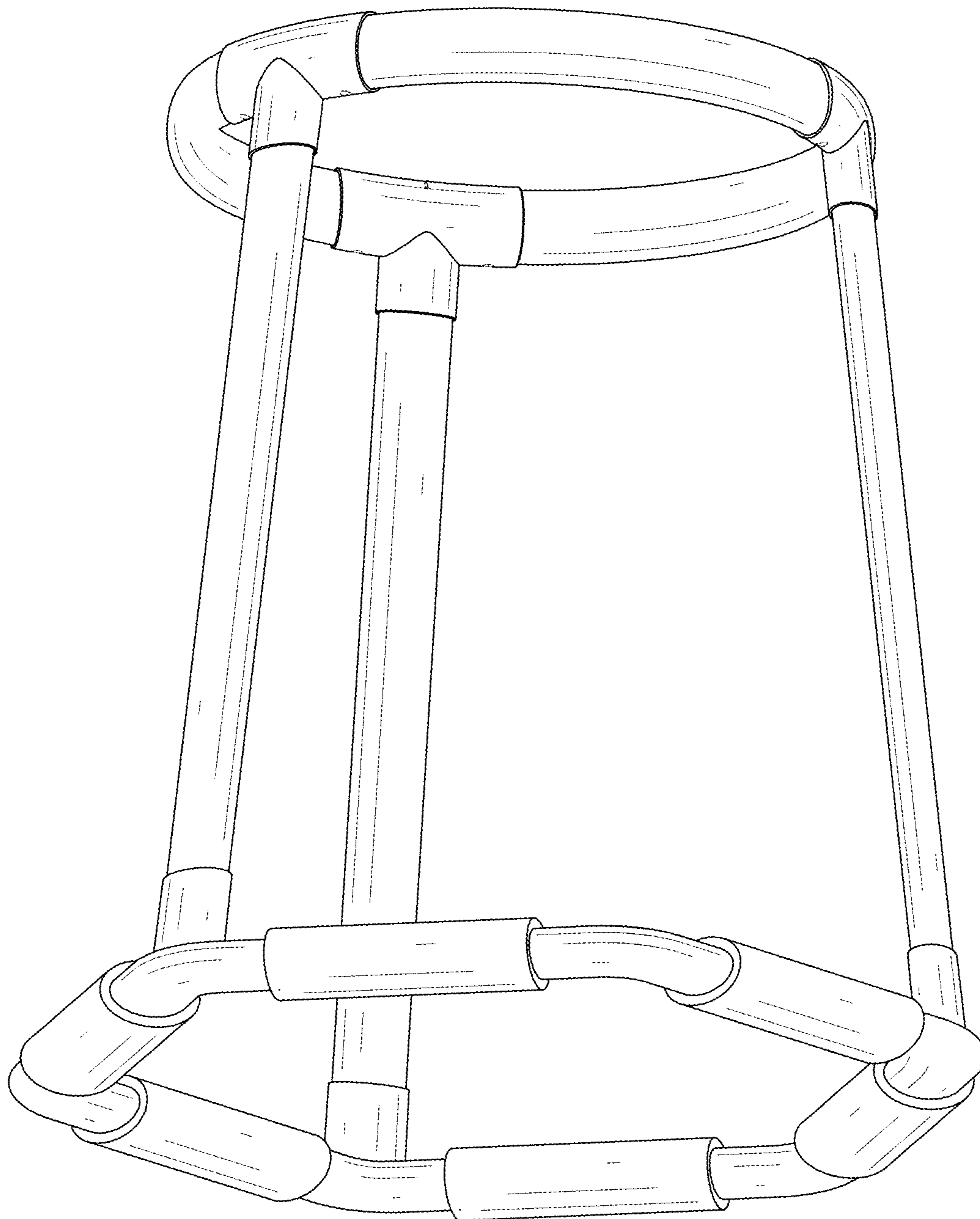


FIG. 2

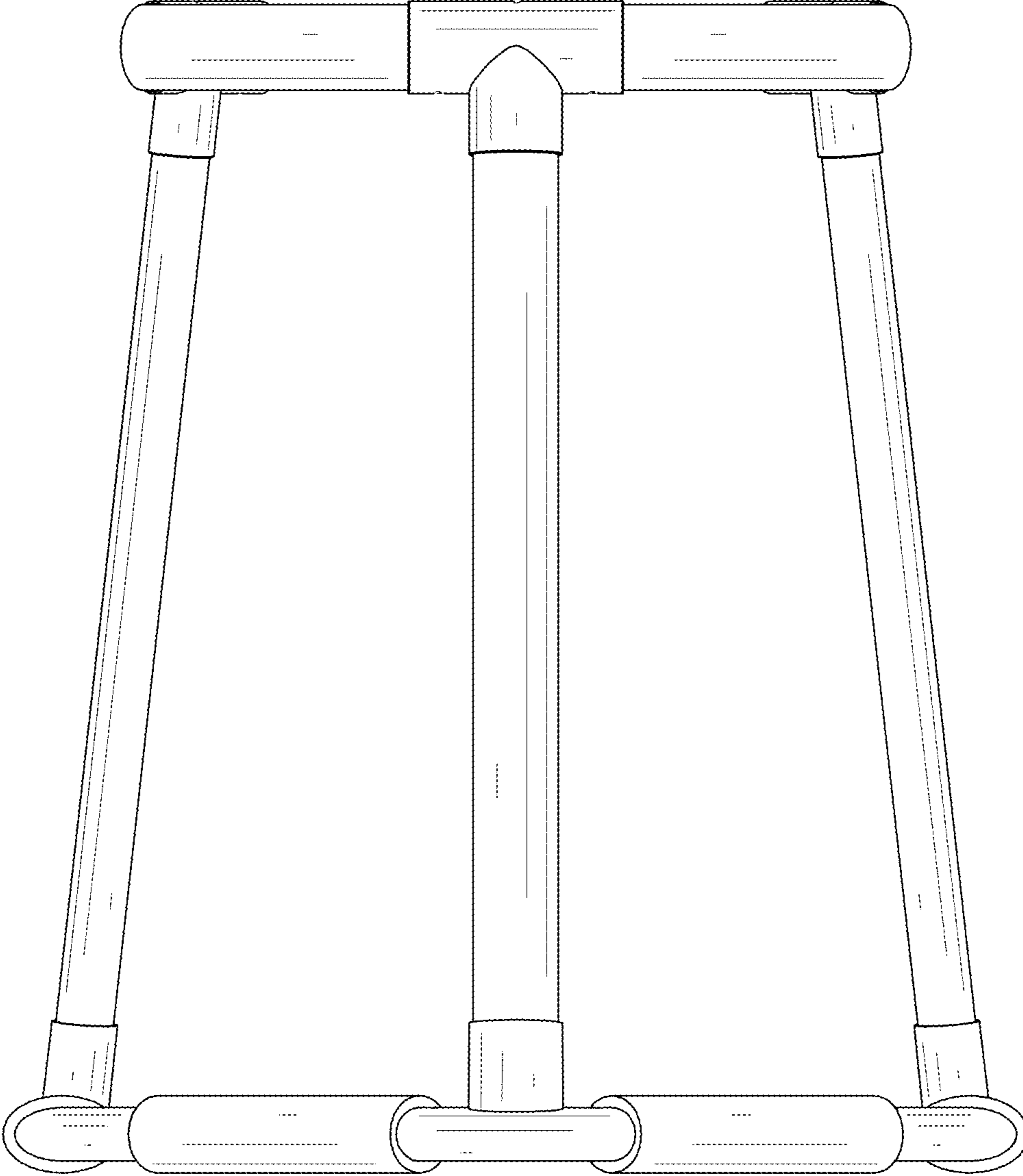


FIG. 3

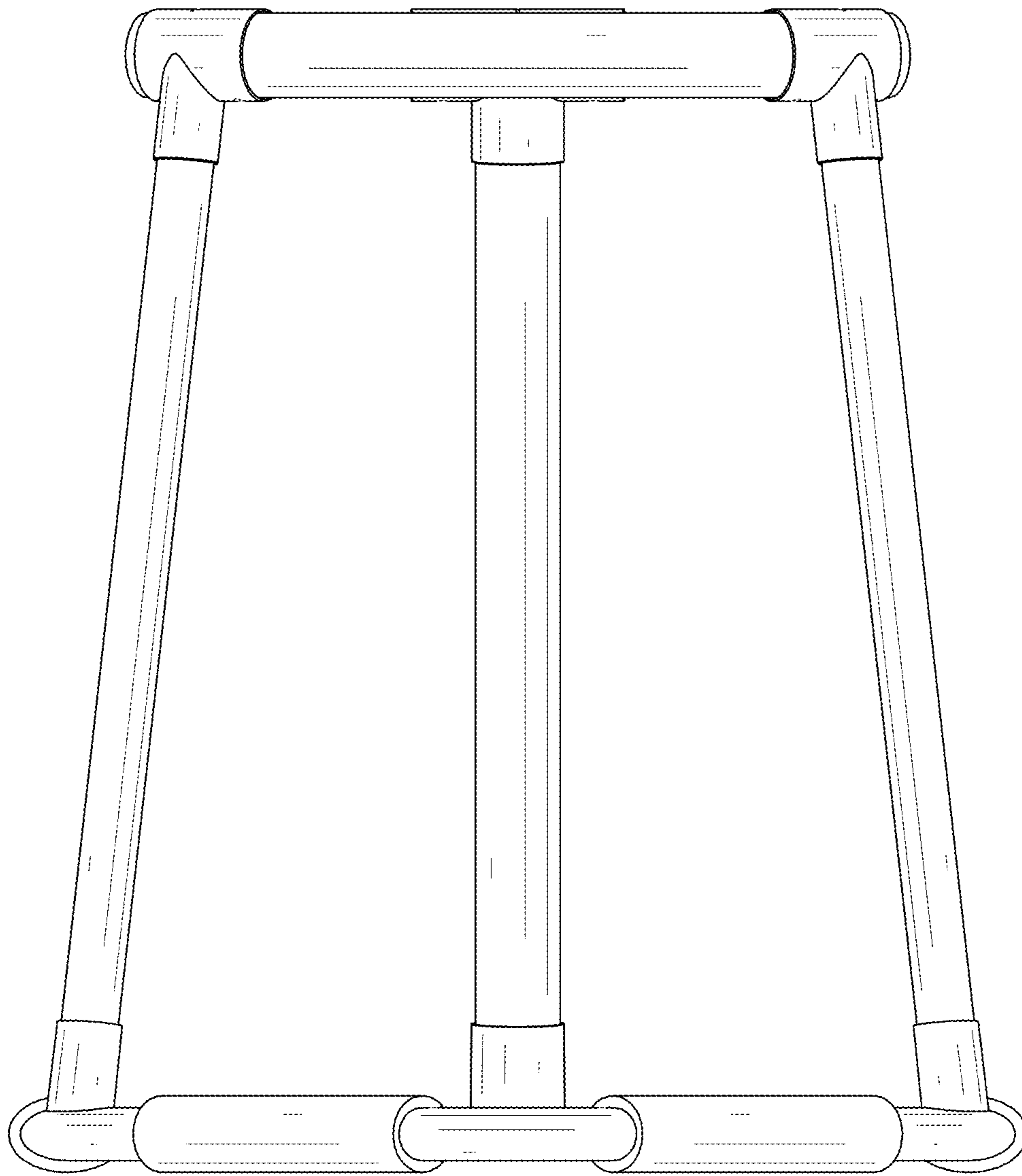


FIG. 4

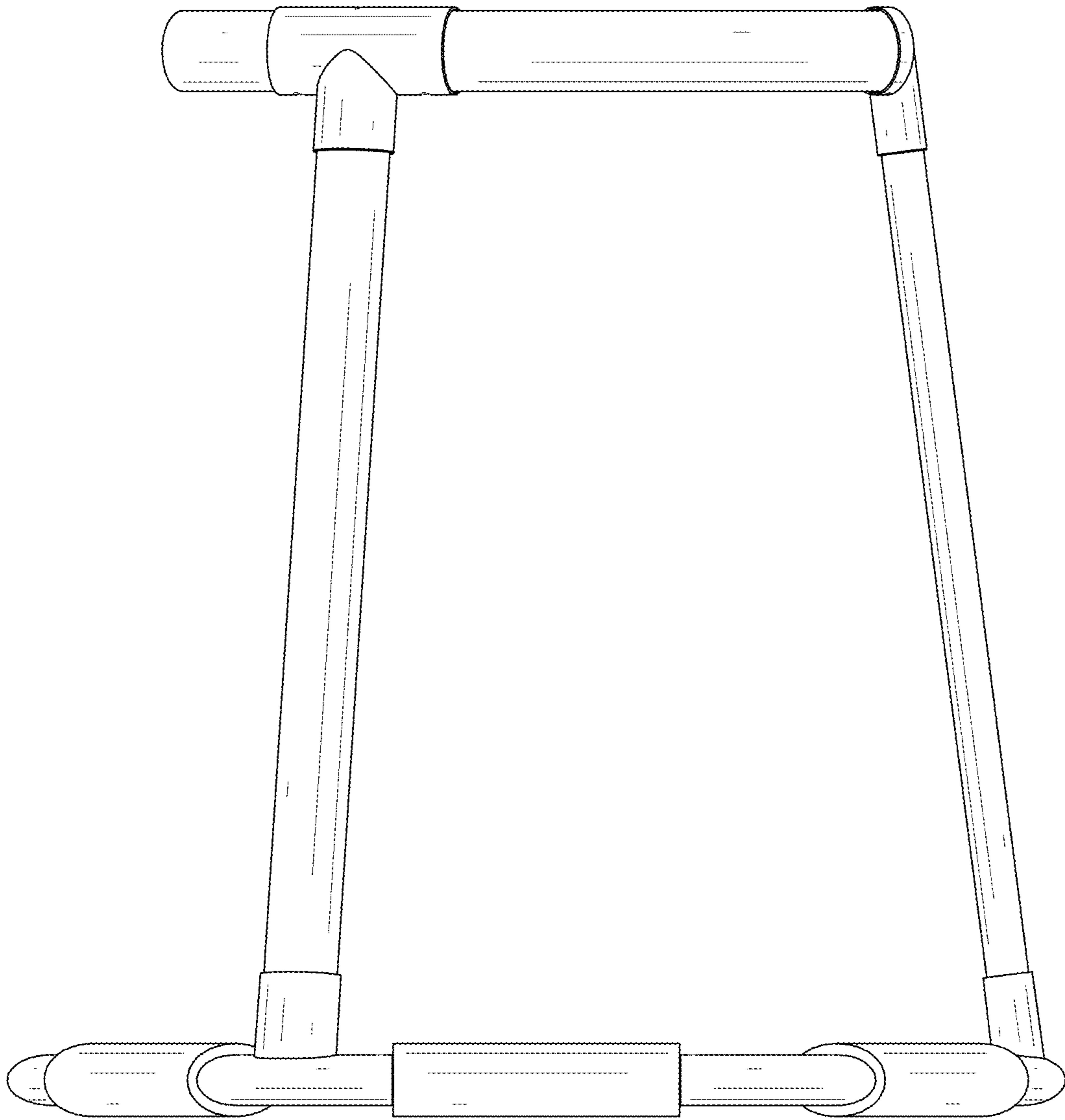


FIG. 5

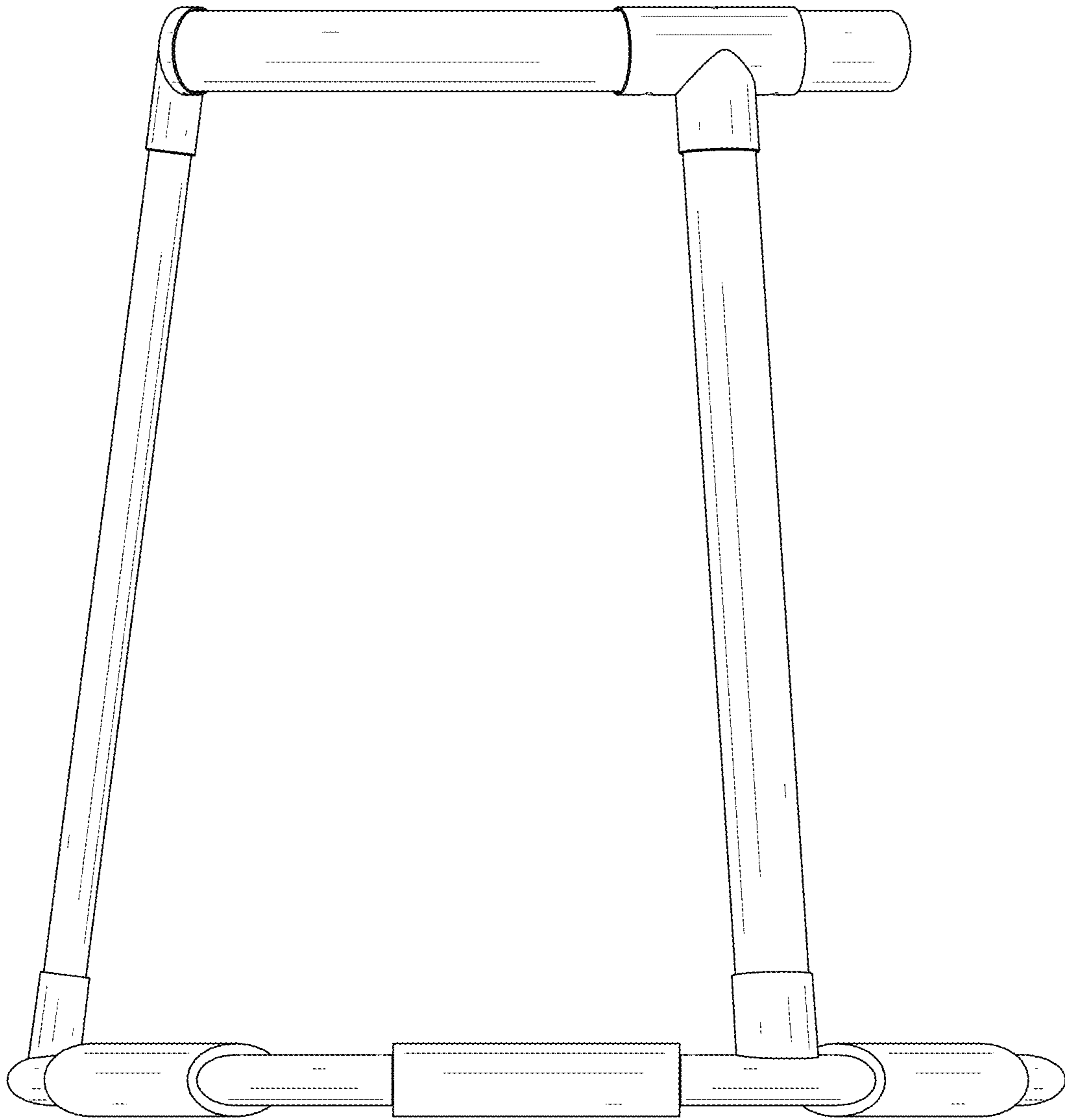


FIG. 6

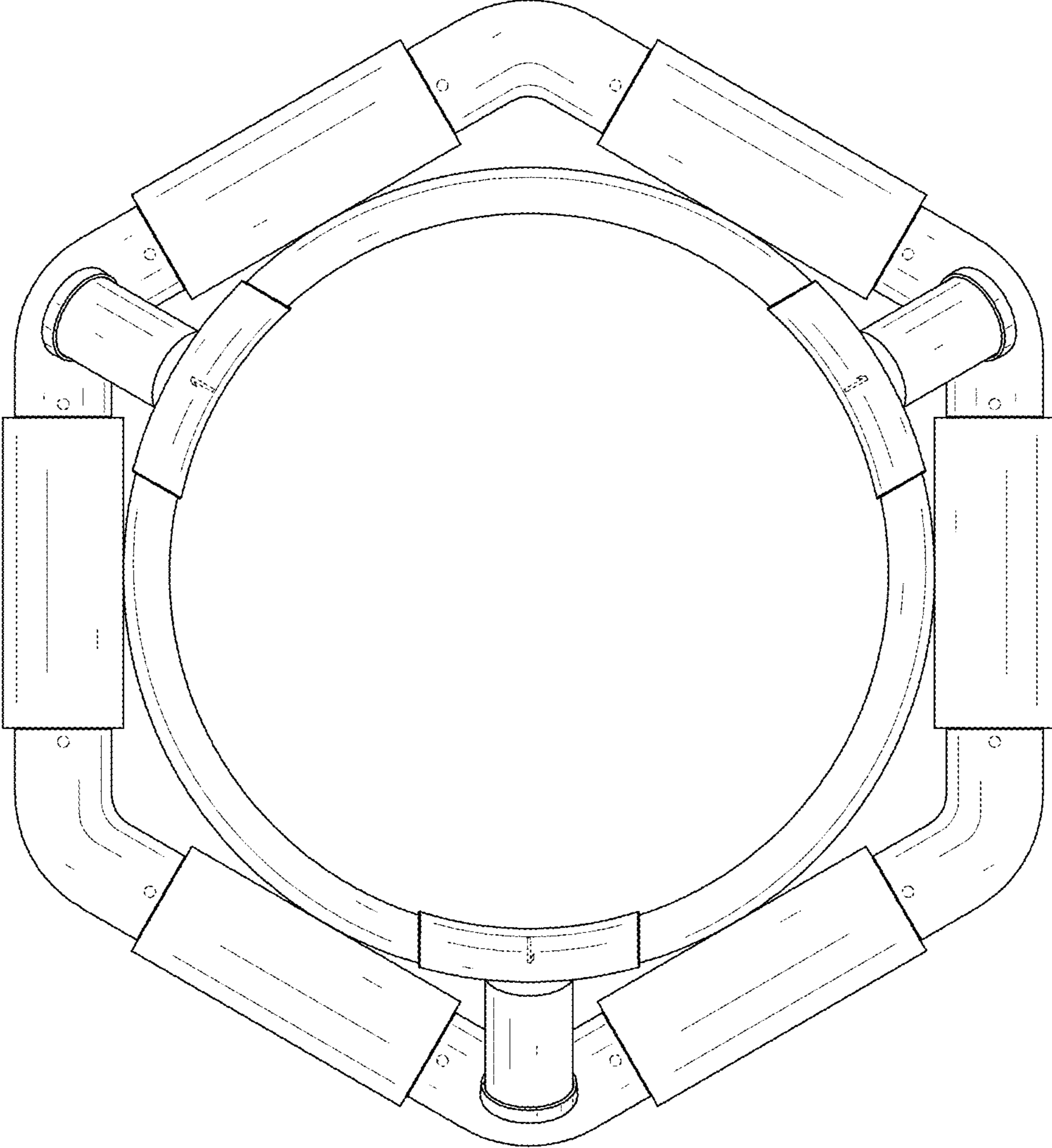


FIG. 7

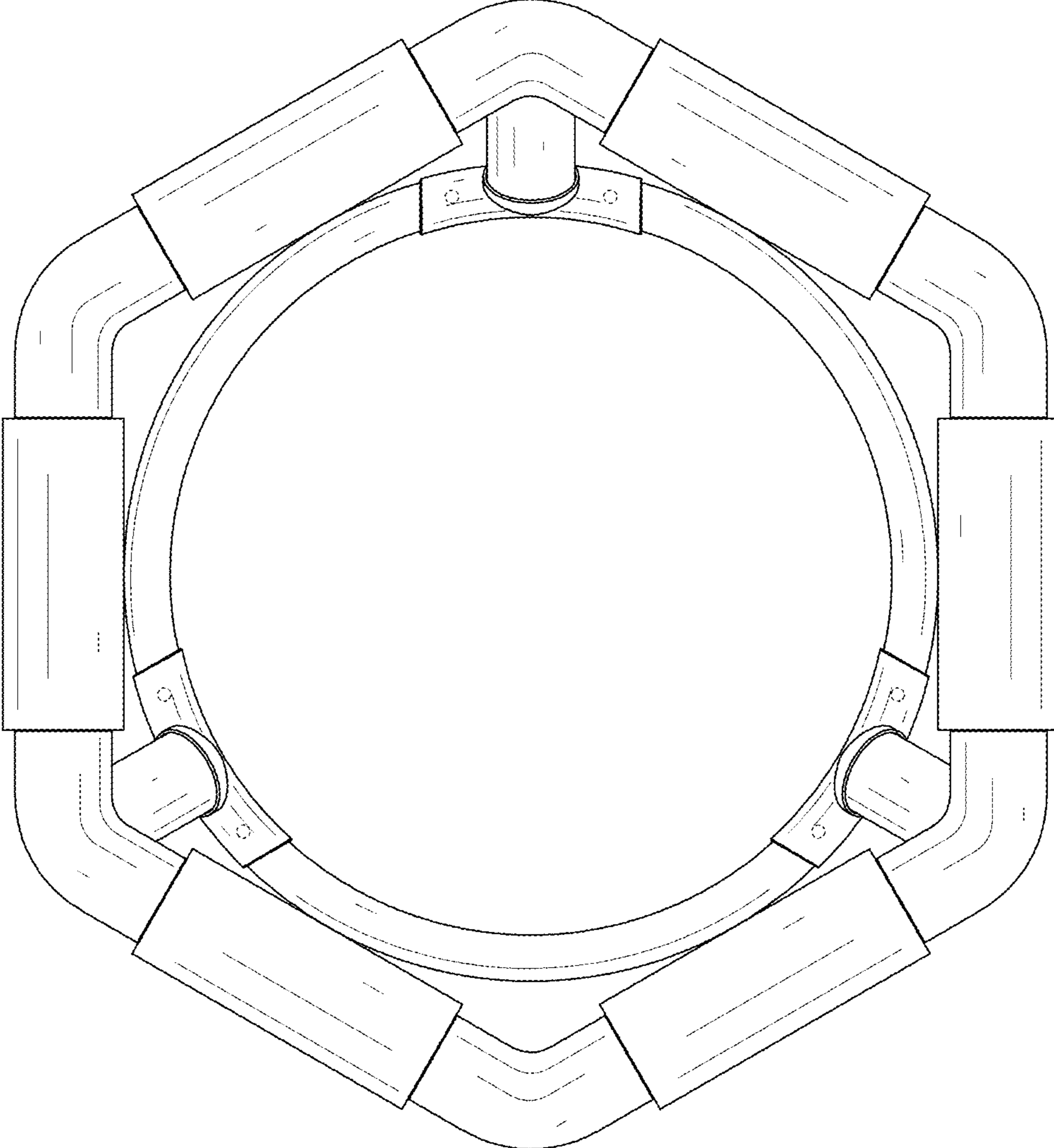


FIG. 8