



US00D953458S

(12) **United States Design Patent**
Engler et al.

(10) **Patent No.:** **US D953,458 S**
(45) **Date of Patent:** **** May 31, 2022**

(54) **BALL GAME**
(71) Applicant: **P&P IMPORTS LLC**, Irvine, CA (US)
(72) Inventors: **Peter Engler**, Newport Beach, CA (US); **Peter Tanoury**, Newport Beach, CA (US)

(**) Term: **15 Years**

(21) Appl. No.: **29/727,386**

(22) Filed: **Mar. 10, 2020**

(51) **LOC (13) Cl.** **21-02**

(52) **U.S. Cl.**
USPC **D21/699**

(58) **Field of Classification Search**
USPC D21/801, 803, 808, 301, 302, 314, 318,
D21/788, 699, 305, 719, 698, 398, 303,
D21/701, 705
CPC ... A63B 61/006; A63B 63/004; A63B 63/008;
A63B 63/08; A63B 69/002; A63B
69/0097; A63B 2225/60; A63B 2225/605;
A63B 2243/0025; A63B 2243/007; A63B
71/0045
See application file for complete search history.

(56) **References Cited**

U.S. PATENT DOCUMENTS

2,580,799 A * 1/1952 Lauterbach A63B 63/00
473/476
3,656,749 A * 4/1972 Reyes A63B 63/08
473/485
4,595,199 A * 6/1986 Offutt A63B 63/083
473/435
5,308,059 A * 5/1994 Owen, Jr. A63B 63/083
411/340
D349,933 S * 8/1994 Offutt D21/702
D359,091 S * 6/1995 Offutt D21/702
5,524,881 A * 6/1996 Edward A63B 63/08
273/400
7,448,969 B2 * 11/2008 Weber A63B 67/06
273/396

8,172,636 B1 * 5/2012 Carbonero A63G 31/00
446/120
D867,457 S * 11/2019 Sweeney D21/303
2005/0197197 A1 * 9/2005 Scott A63B 63/08
473/173
2007/0052178 A1 * 3/2007 Cottrell A63B 63/00
273/402

(Continued)

OTHER PUBLICATIONS

GoSports Splash Hoop 360 Floating Pool Basketball Game. Date Posted: Apr. 21, 2020. Retrieved from internet: <<https://www.amazon.ca/GoSports-Splash-Floating-Football-Footballs/dp/B087CB5TW7/>> [site visited Nov. 18, 2021] (Year: 2020).*

(Continued)

Primary Examiner — Barbara Fox
Assistant Examiner — Yuan Yuan
(74) *Attorney, Agent, or Firm* — Casey H. Kempner;
Siamak S. Hefazi

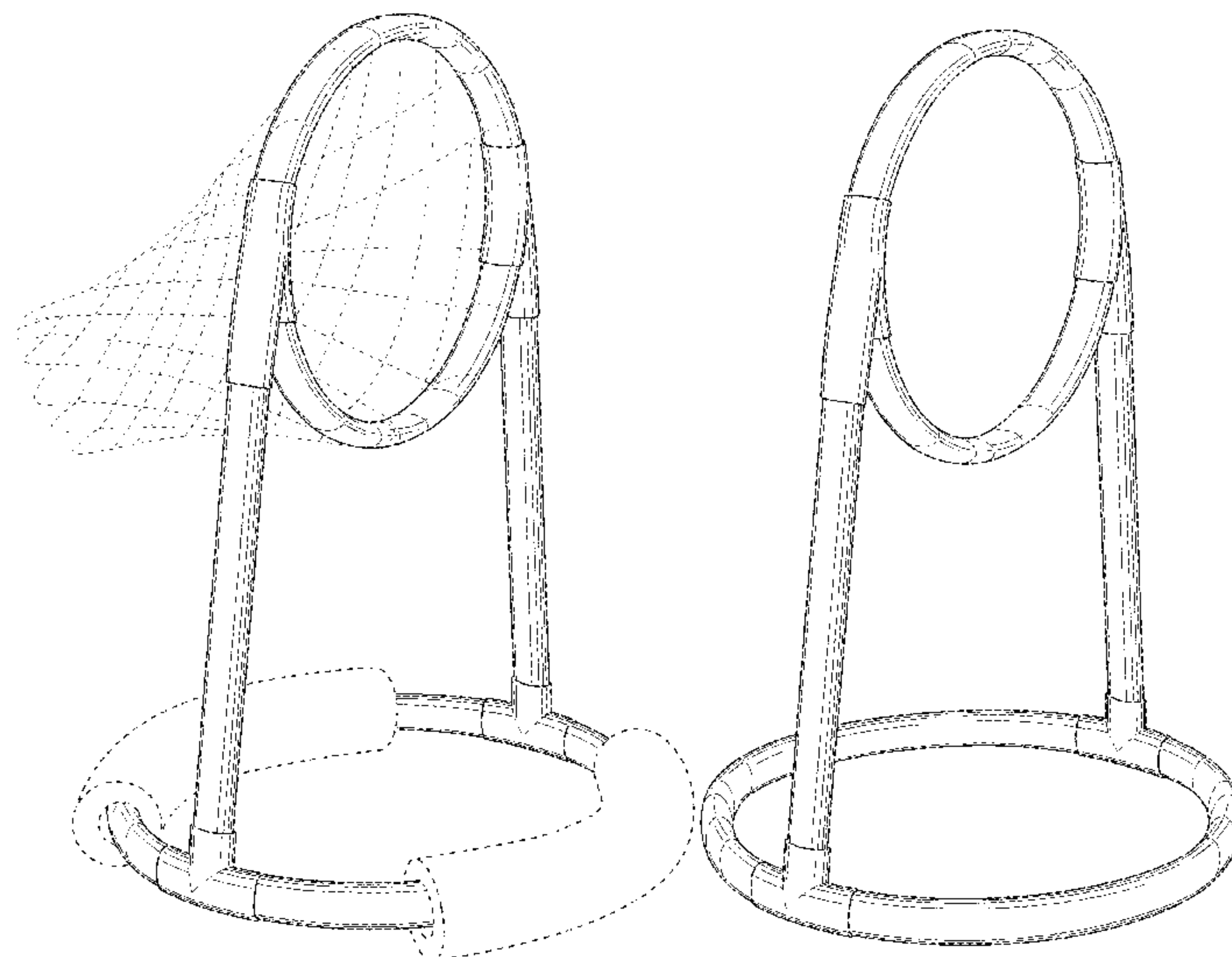
(57) **CLAIM**

The ornamental design for a ball game, as shown and described.

DESCRIPTION

FIG. 1 is a perspective view of a ball game showing our new design;
FIG. 2 is a perspective view thereof, with the broken line portions removed for ease of illustration;
FIG. 3 is a front view thereof, the back view being a mirror image thereof;
FIG. 4 is a left-side view thereof, the right-side view being a mirror image thereof;
FIG. 5 is a top view thereof; and,
FIG. 6 is a bottom view thereof.
The broken lines in the figures show portions of the ball game that form no part of the claimed design.

1 Claim, 6 Drawing Sheets



(56)

References Cited

U.S. PATENT DOCUMENTS

2013/0040762 A1* 2/2013 Swingle A63B 63/00
473/422
2021/0260455 A1* 8/2021 Samp A63B 63/08

OTHER PUBLICATIONS

Floating Pool Basketball and Football Hoop Game Set for Swimming Pool. Date Posted: Jun. 1, 2021. Retrieved from internet: <<https://www.amazon.com/Floating-Basketball-Football-Swimming-Basketballs/dp/B096967VL7/>> [site visited Nov. 19, 2021] (Year: 2021).*

* cited by examiner

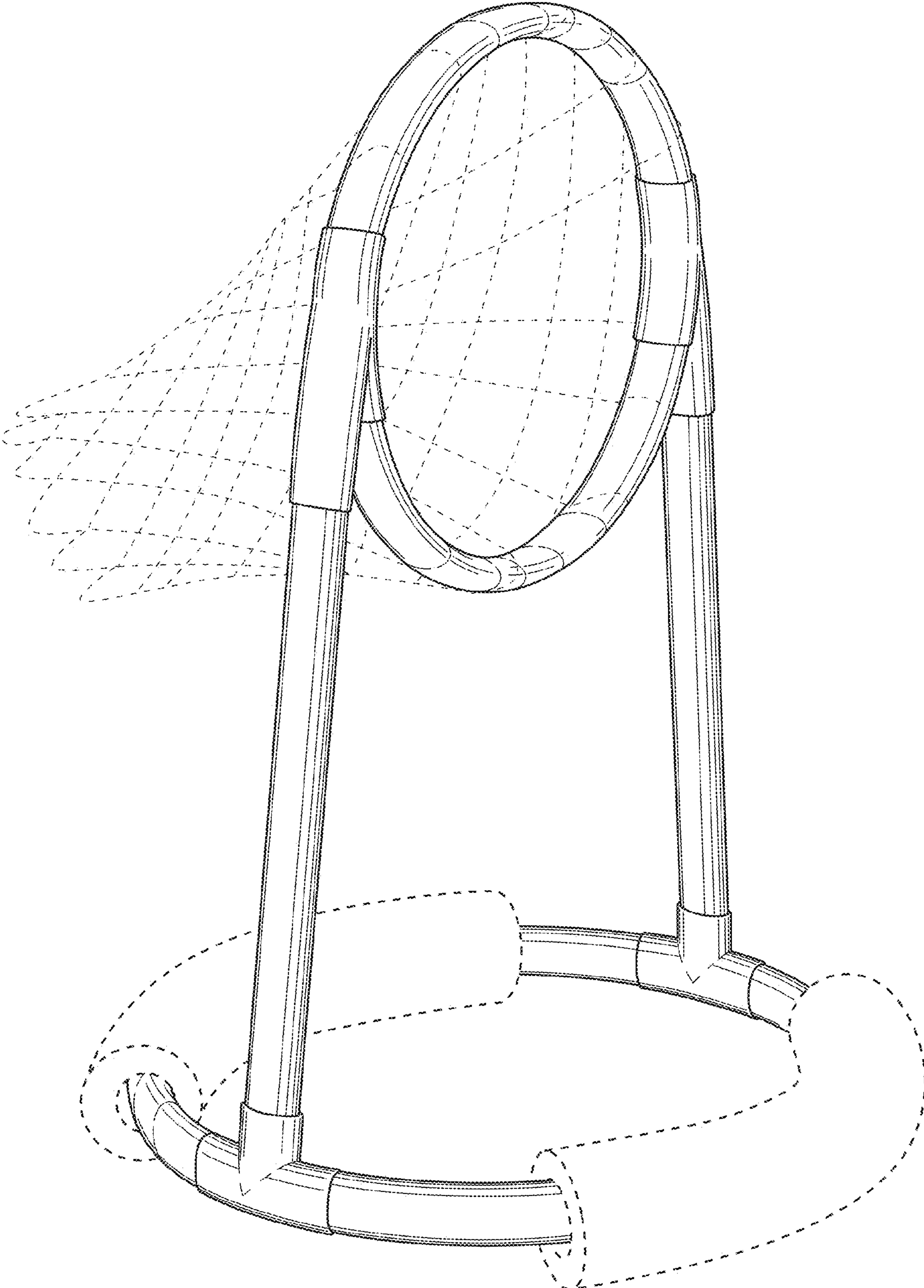


FIG. 1

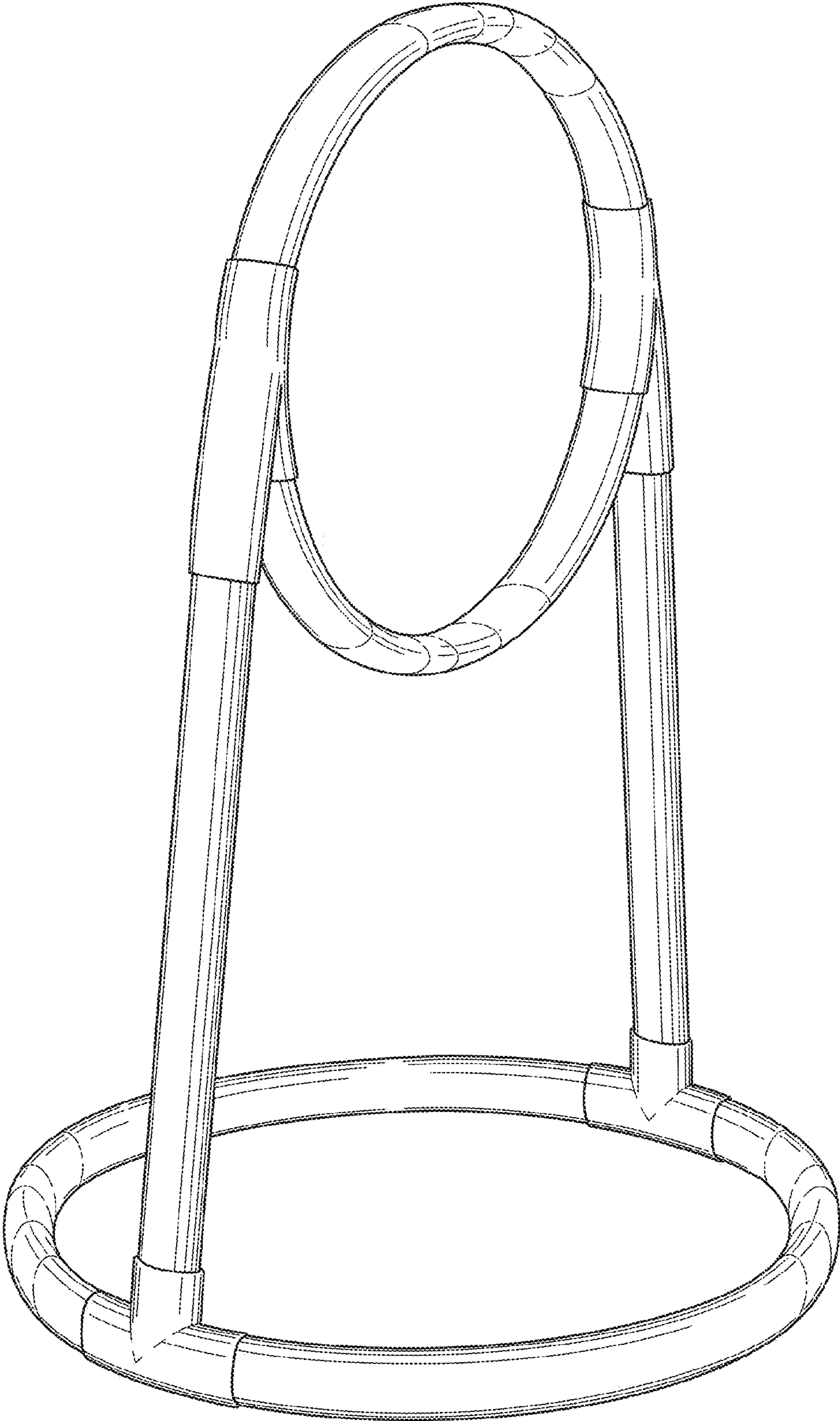


FIG. 2

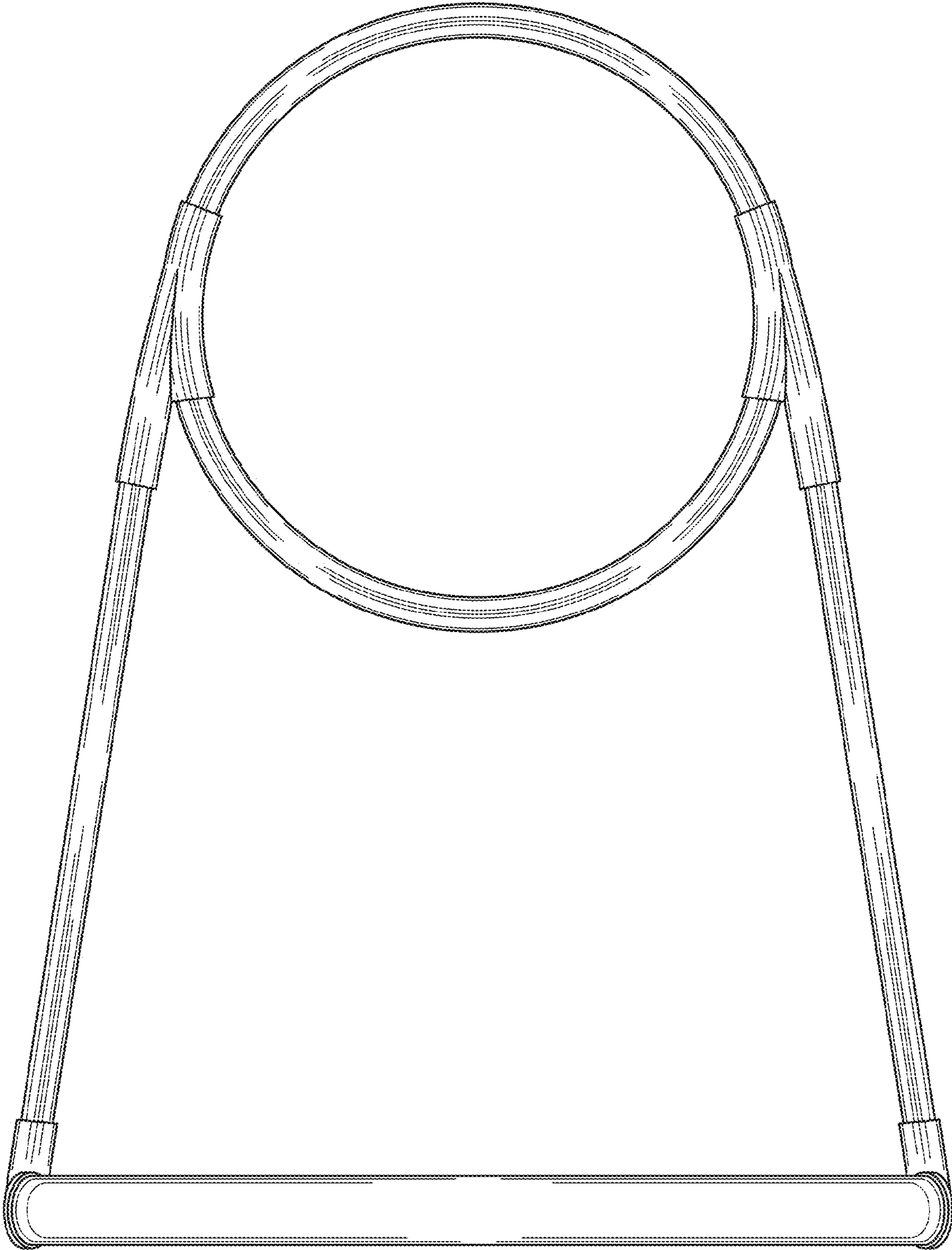


FIG. 3

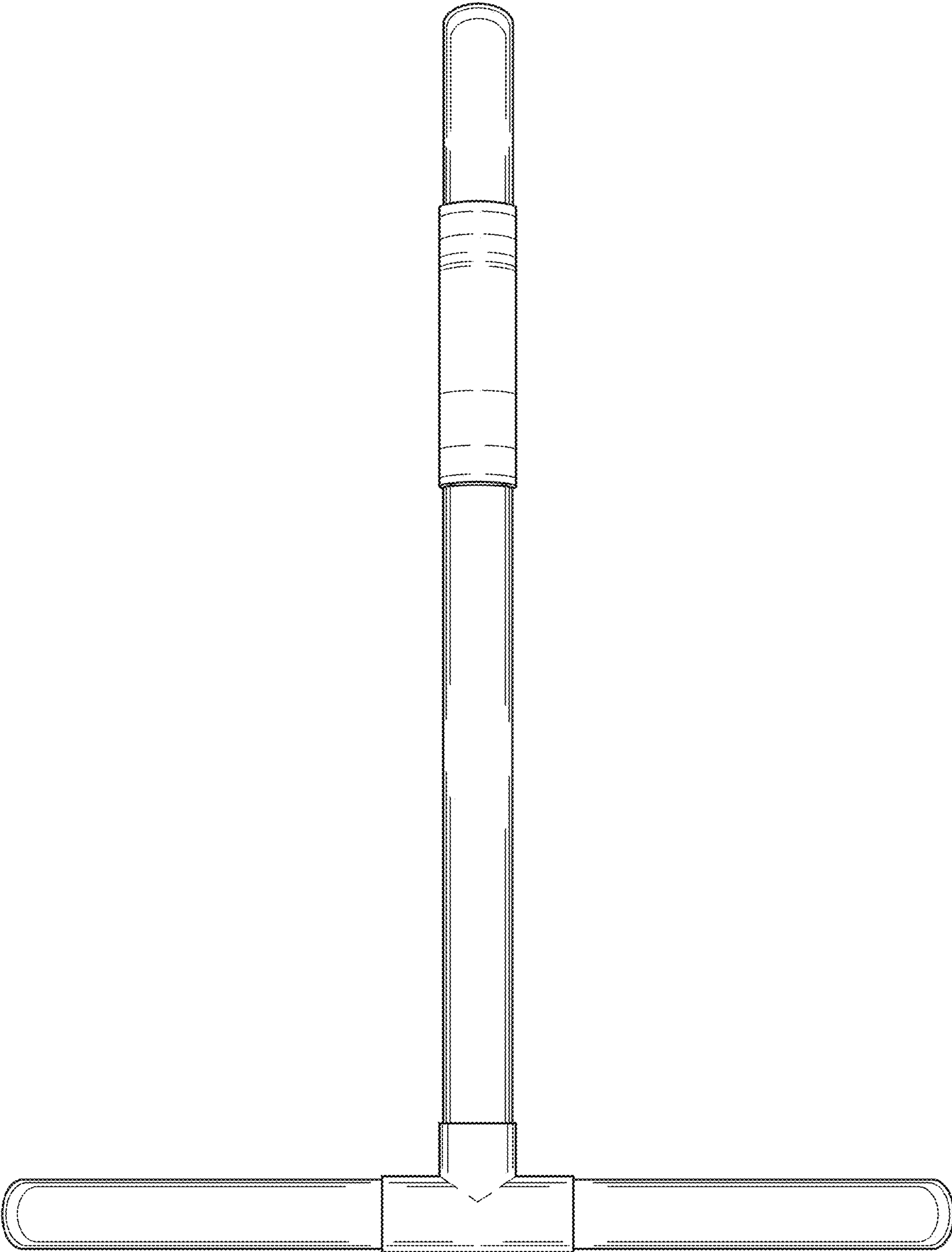


FIG. 4

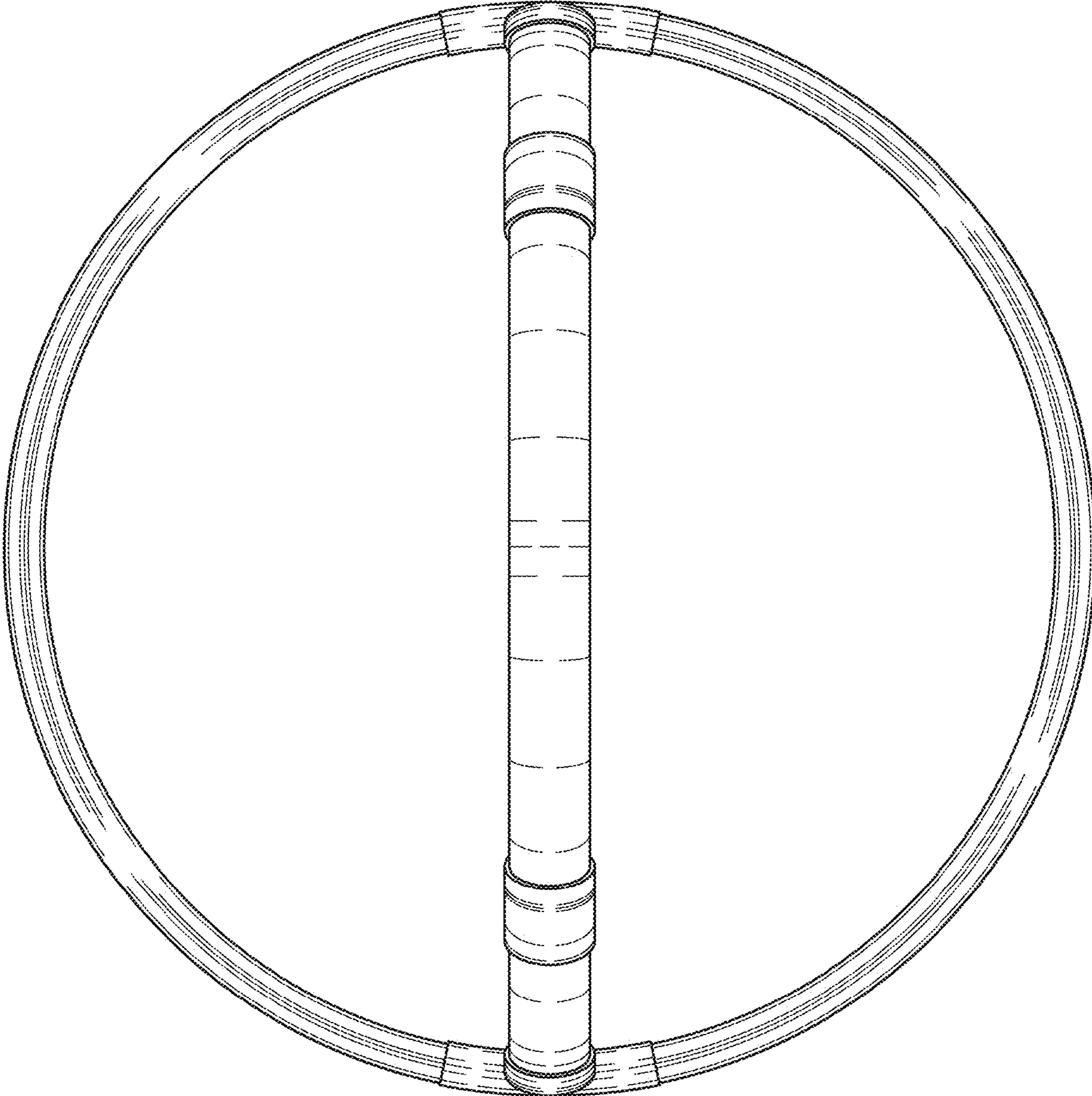


FIG. 5

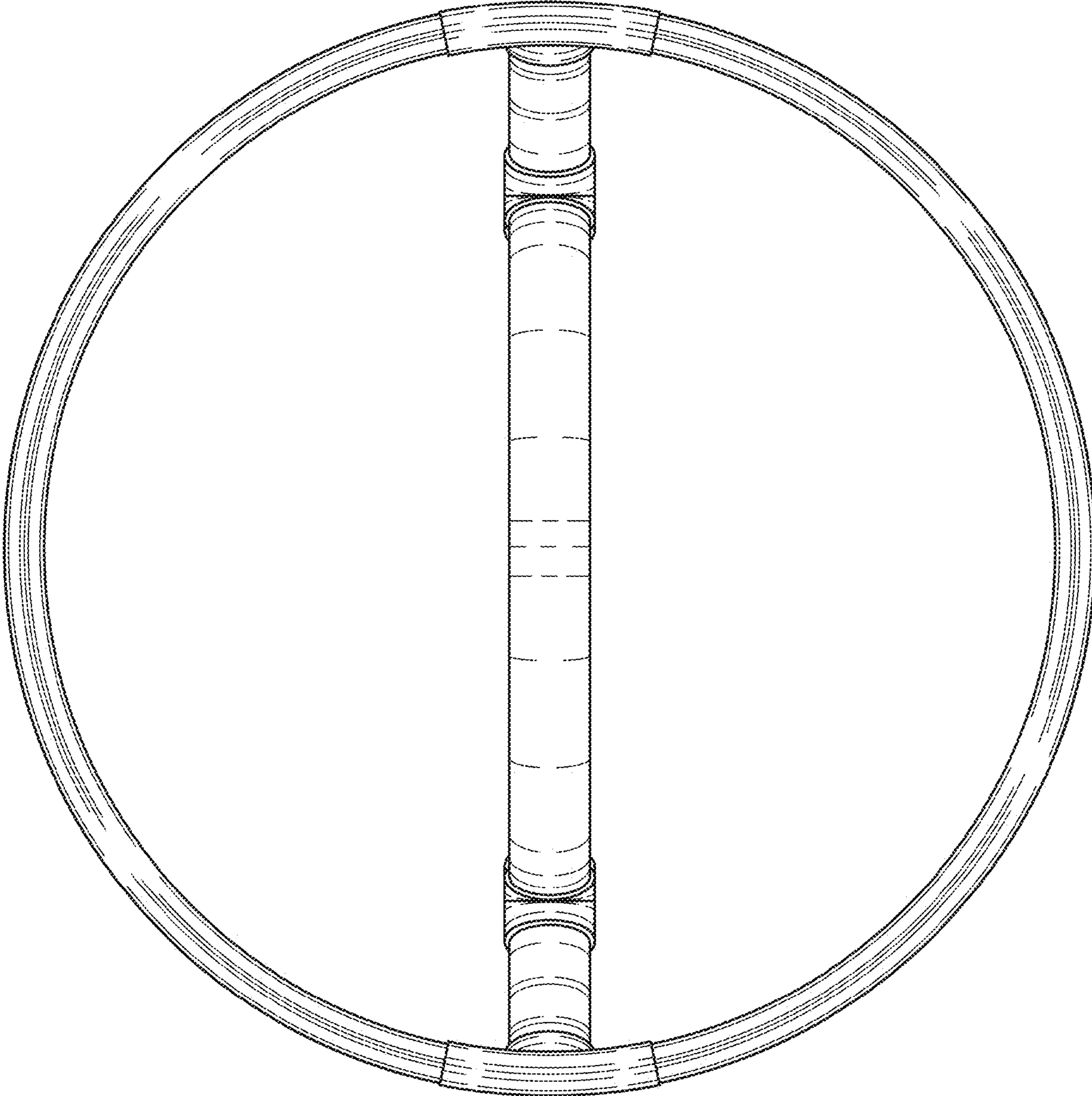


FIG. 6