



US00D953457S

(12) **United States Design Patent**  
**Gettle**

(10) **Patent No.:** **US D953,457 S**

(45) **Date of Patent:** **\*\* May 31, 2022**

(54) **DISPLAY OF A STATIONARY EXERCISE MACHINE**

(71) Applicant: **NAUTILUS, INC.**, Vancouver, WA (US)

(72) Inventor: **Jeffrey A. Gettle**, Portland, OR (US)

(73) Assignee: **Nautilus, Inc.**, Vancouver, WA (US)

(\*\*) Term: **15 Years**

(21) Appl. No.: **29/737,351**

(22) Filed: **Jun. 8, 2020**

(51) **LOC (13) Cl.** ..... **21-02**

(52) **U.S. Cl.**  
USPC ..... **D21/696**

(58) **Field of Classification Search**  
USPC ..... D21/329, 332, 663, 664, 696, 697, 374;  
D14/305, 307, 334, 335, 339, 340, 371,  
D14/372, 448

See application file for complete search history.

(56) **References Cited**

**U.S. PATENT DOCUMENTS**

D504,889 S *	5/2005	Andre	.....	D14/341
D641,018 S *	7/2011	Lee	.....	D14/341
D663,281 S *	7/2012	Hwang	.....	D14/138 G
D723,029 S *	2/2015	Seoc	.....	D14/336
D745,511 S *	12/2015	Lee	.....	D14/341
D761,901 S *	7/2016	Kim	.....	D18/41
D893,201 S *	8/2020	Jiang	.....	D6/308
10,854,168 B2 *	12/2020	Horiike	.....	G06F 3/013
2004/0014566 A1 *	1/2004	Kao	.....	A63B 24/00
				482/8

2014/0267910 A1 *	9/2014	Chugh	.....	H04N 21/41407
				348/552
2019/0111318 A1 *	4/2019	Evancho	.....	A63B 22/02
2021/0225486 A1 *	7/2021	Foley	.....	A63B 24/0062

**OTHER PUBLICATIONS**

Cybex, announced 2012[online], [site visited Nov. 2, 2021]. Available on internet, URL: <https://www.amazon.com/Cybex-625T-Treadmill/dp/B008S8POG6> (Year: 2012).\*

\* cited by examiner

*Primary Examiner* — Khawaja Anwar

*Assistant Examiner* — Julice Seung Eun Oum

(74) *Attorney, Agent, or Firm* — Dorsey & Whitney LLP

(57) **CLAIM**

The ornamental design for a display of a stationary exercise machine, as shown and described.

**DESCRIPTION**

FIG. 1 shows an isometric view of a display of a stationary exercise machine in accordance with the present design.

FIG. 2 shows a rear isometric view thereof.

FIG. 3 shows a front view thereof.

FIG. 4 shows a rear view thereof.

FIG. 5 shows a right side view thereof.

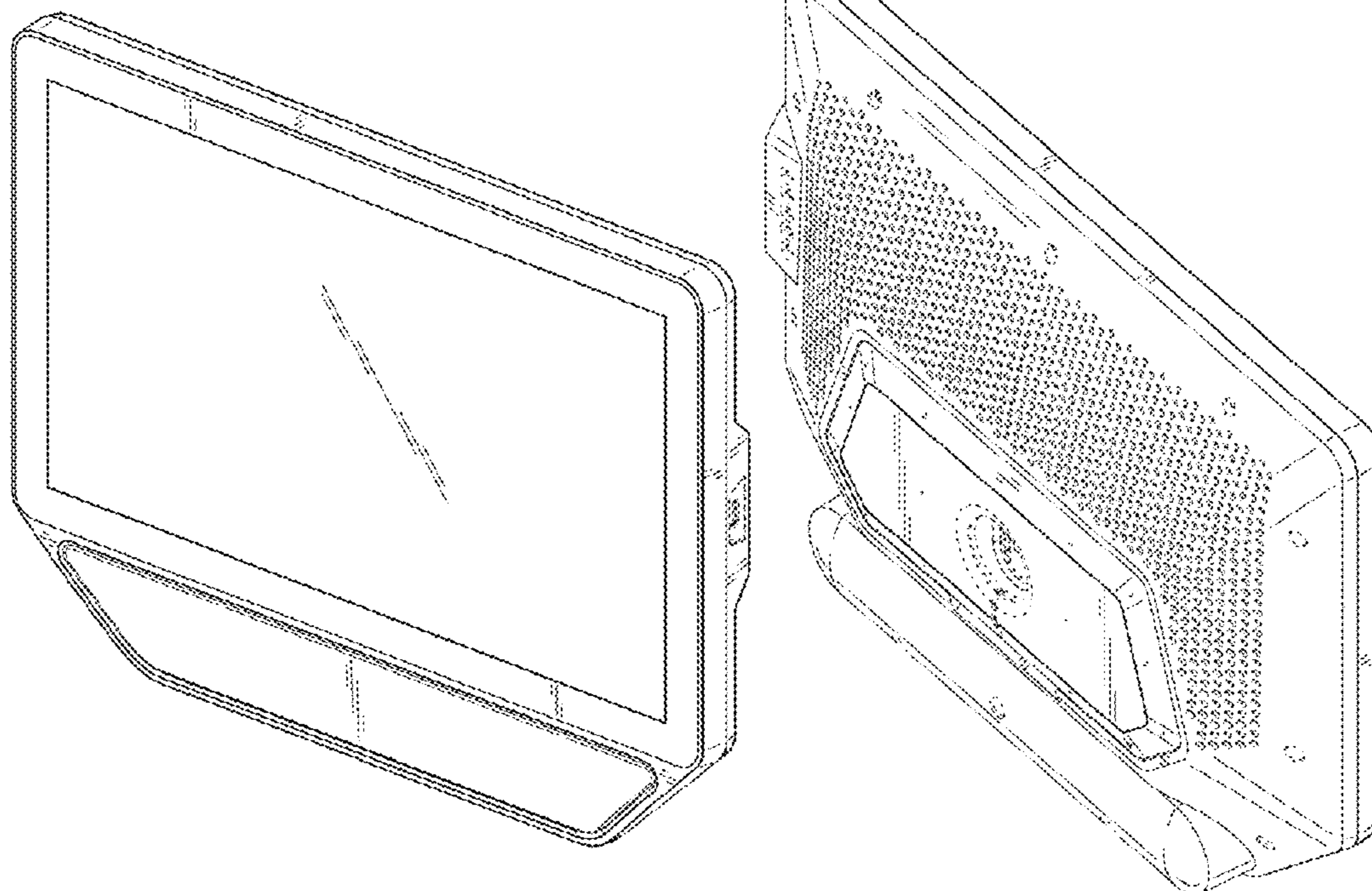
FIG. 6 shows a left side view thereof.

FIG. 7 shows a top view thereof; and,

FIG. 8 shows a bottom view thereof.

The broken lines represent environment that forms no part of the claimed design.

**1 Claim, 6 Drawing Sheets**



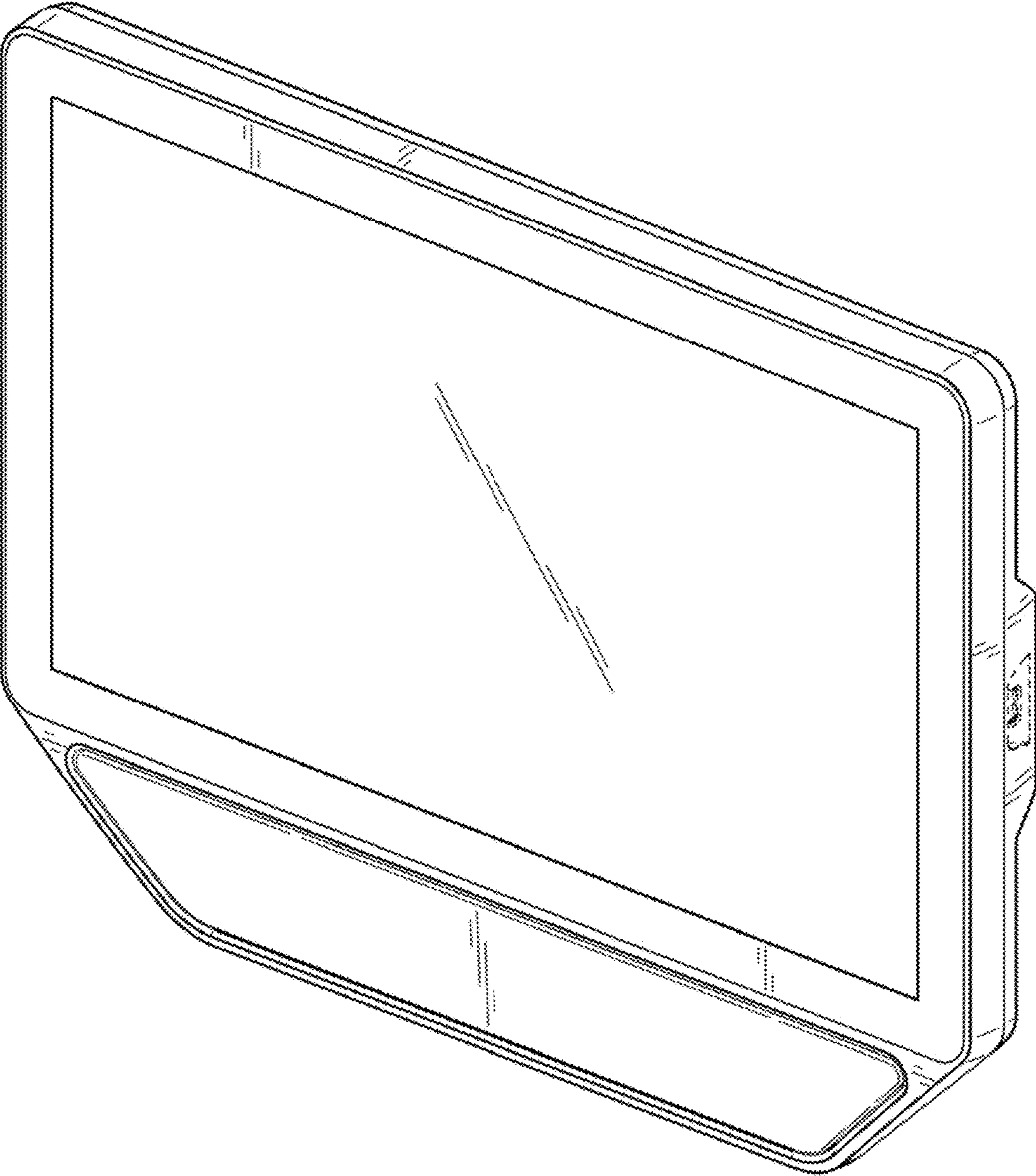


FIG. 1

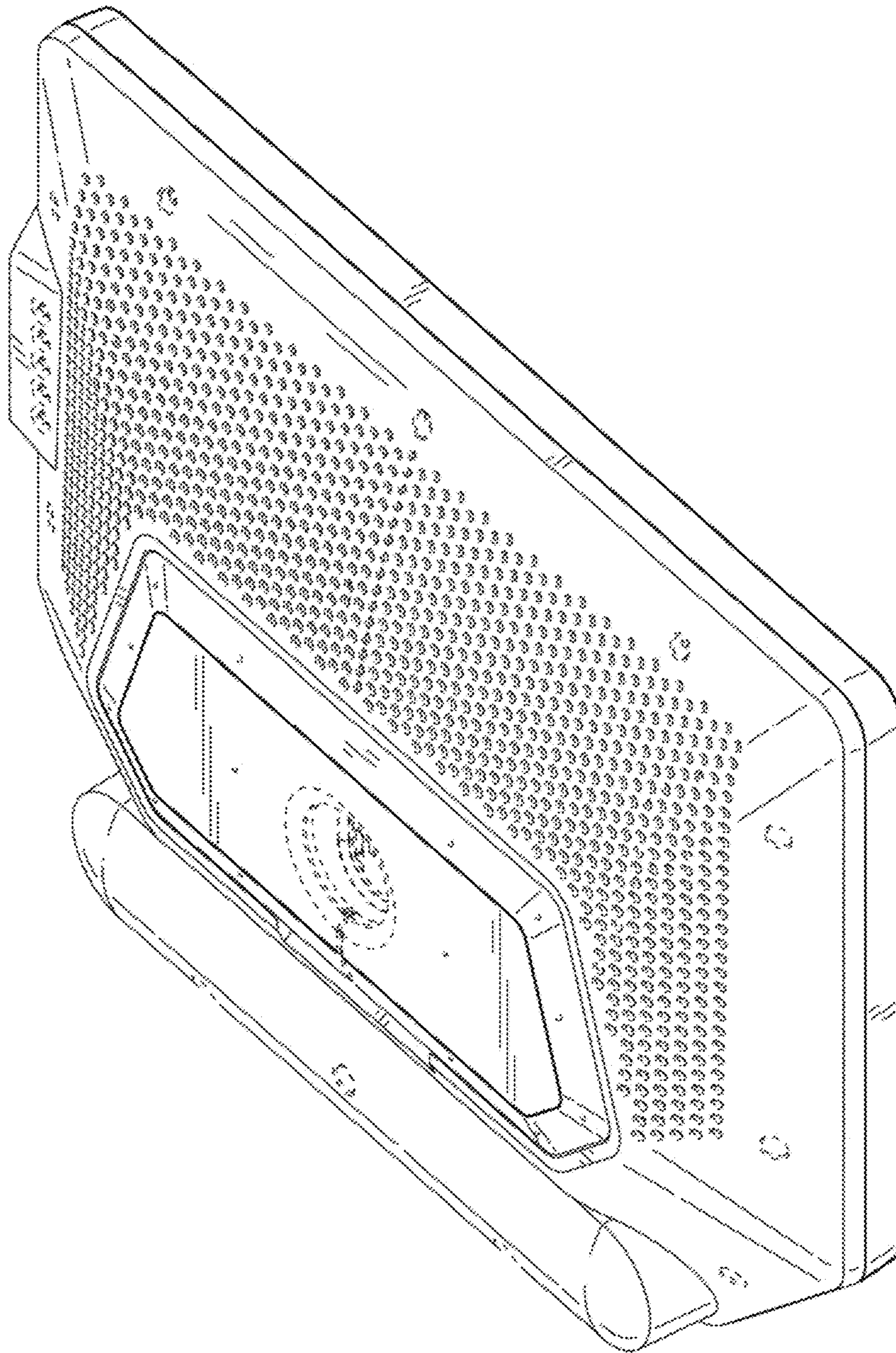


FIG. 2

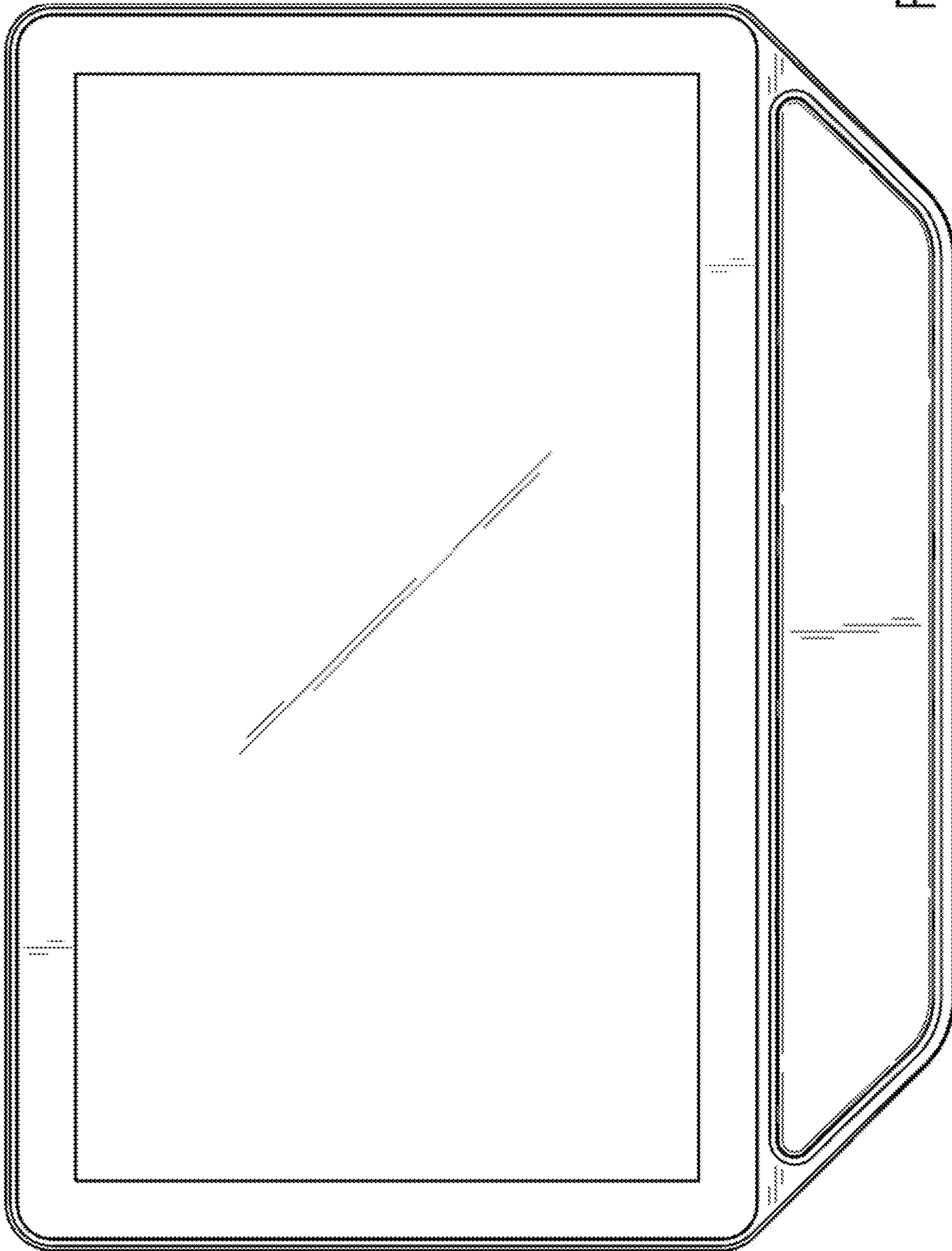


FIG. 3

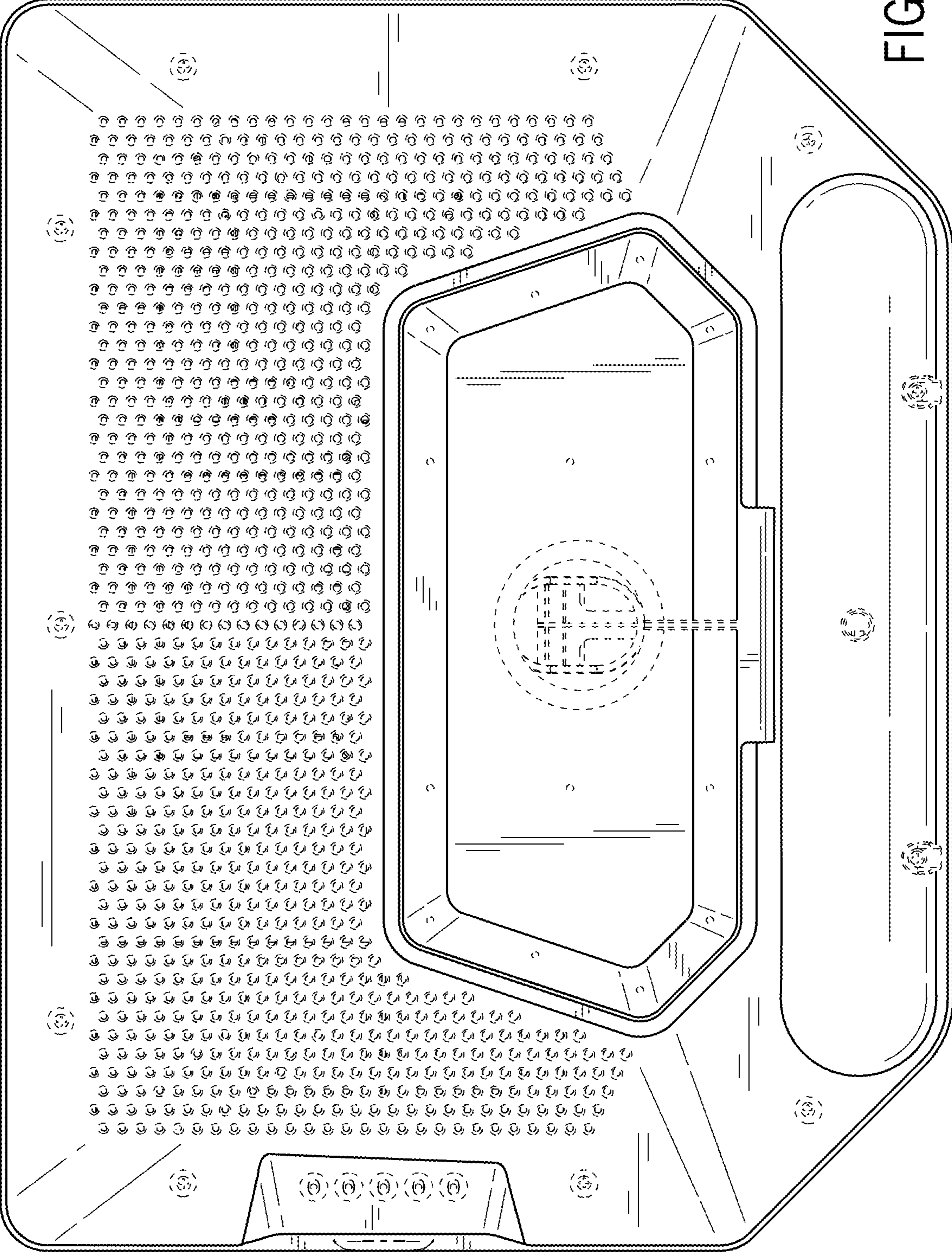


FIG. 4

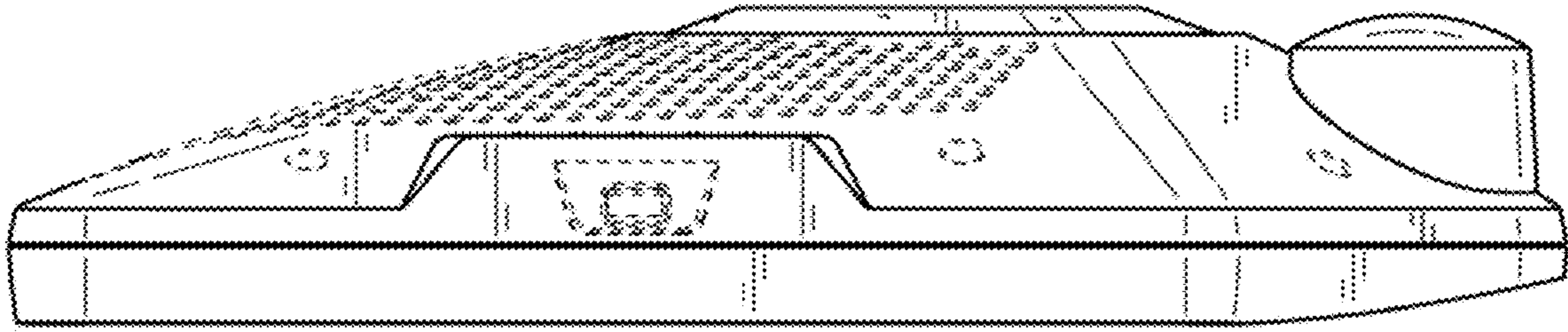


FIG. 6

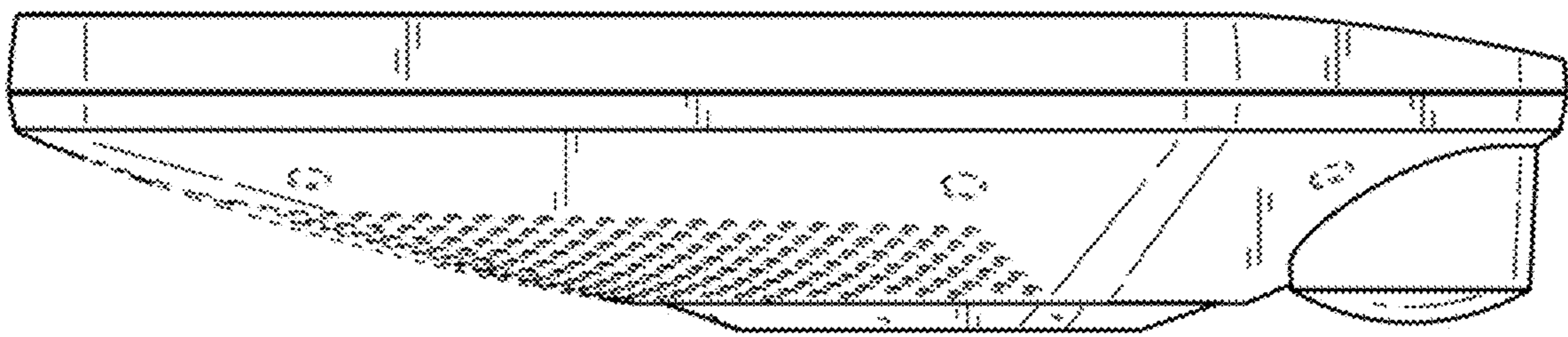


FIG. 5

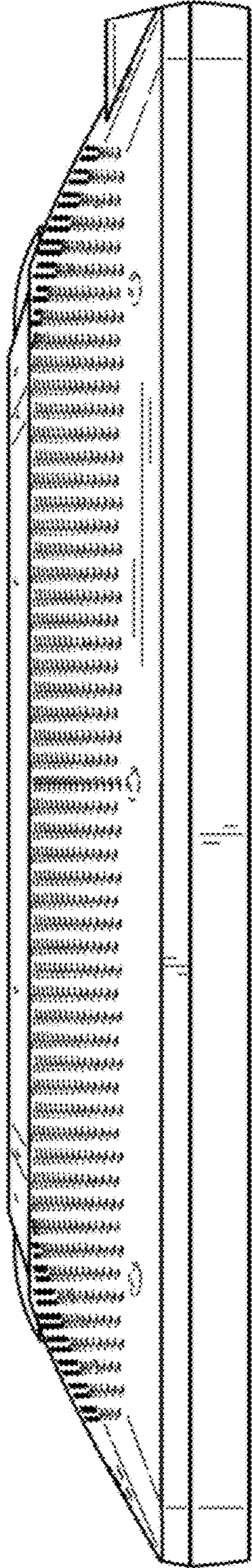


FIG. 7

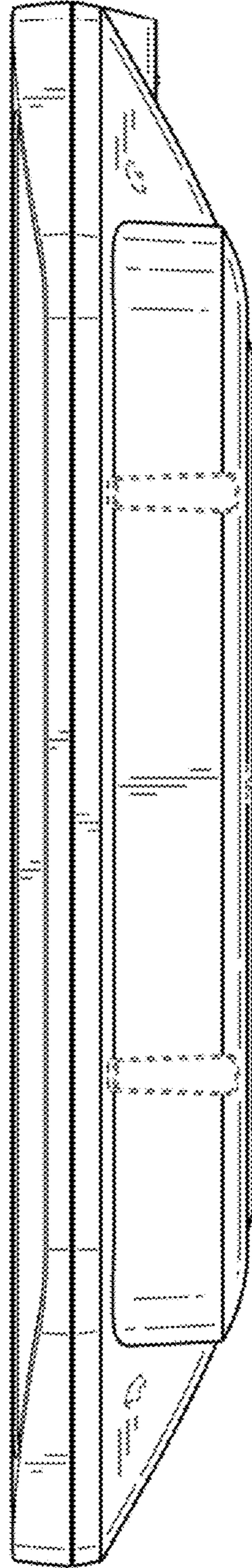


FIG. 8