



US00D953456S

(12) **United States Design Patent** (10) **Patent No.:** **US D953,456 S**
Gettle (45) **Date of Patent:** **** May 31, 2022**

(54) **DISPLAY OF A STATIONARY EXERCISE MACHINE**
(71) Applicant: **NAUTILUS, INC.**, Vancouver, WA (US)
(72) Inventor: **Jeffrey A. Gettle**, Portland, OR (US)
(73) Assignee: **NAUTILUS, INC.**, Vancouver, WA (US)
(**) Term: **15 Years**
(21) Appl. No.: **29/737,350**
(22) Filed: **Jun. 8, 2020**
(51) **LOC (13) Cl.** **21-02**
(52) **U.S. Cl.**
USPC **D21/696**
(58) **Field of Classification Search**
USPC D21/329, 332, 663, 664, 696, 697, 374;
D14/305, 307, 334, 335, 339, 340, 371,
D14/372, 448
See application file for complete search history.

2014/0267910 A1* 9/2014 Chugh H04N 21/41407
348/552
2019/0111318 A1* 4/2019 Evancha A63B 22/02
2021/0225486 A1* 7/2021 Foley A63B 24/0062

OTHER PUBLICATIONS

Cybex, announced 2012[online], [site visited Nov. 2, 2021]. Available on internet, URL:https://www.amazon.com/Cybex-625T-Treadmill/dp/B008S8POG6 (Year: 2012).*

* cited by examiner

Primary Examiner — Khawaja Anwar
Assistant Examiner — Julice Seung Eun Oum
(74) *Attorney, Agent, or Firm* — Dorsey & Whitney LLP

(57) **CLAIM**

The ornamental design for a display of a stationary exercise machine, as shown and described.

DESCRIPTION

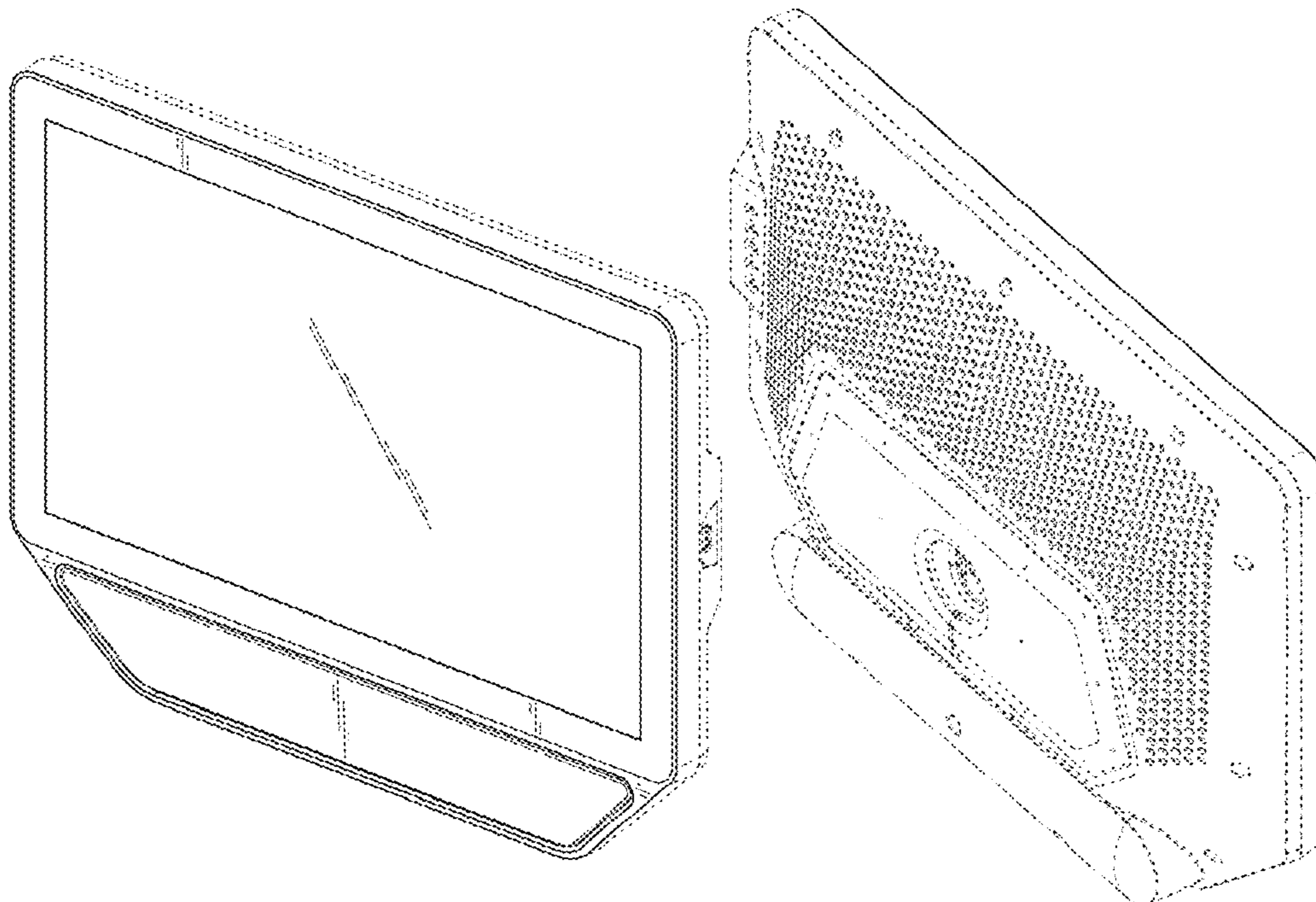
FIG. 1 shows an isometric view of a display of a stationary exercise machine in accordance with the present design. FIG. 2 shows rear isometric view thereof. FIG. 3 shows a front view thereof. FIG. 4 shows a rear view thereof. FIG. 5 shows a right side view thereof. FIG. 6 shows a left side view thereof. FIG. 7 shows a top view thereof; and, FIG. 8 shows a bottom view thereof. The broken lines represent environment that forms no part of the claimed design.

(56) **References Cited**

U.S. PATENT DOCUMENTS

D504,889 S * 5/2005 Andre D14/341
D641,018 S * 7/2011 Lee D14/341
D663,281 S * 7/2012 Hwang D14/138 G
D723,029 S * 2/2015 Seoc D14/336
D745,511 S * 12/2015 Lee D14/341
D761,901 S * 7/2016 Kim D18/41
D893,201 S * 8/2020 Jiang D6/308
10,854,168 B2 * 12/2020 Horiike G06F 3/013
2004/0014566 A1* 1/2004 Kao A63B 24/00
482/8

1 Claim, 6 Drawing Sheets



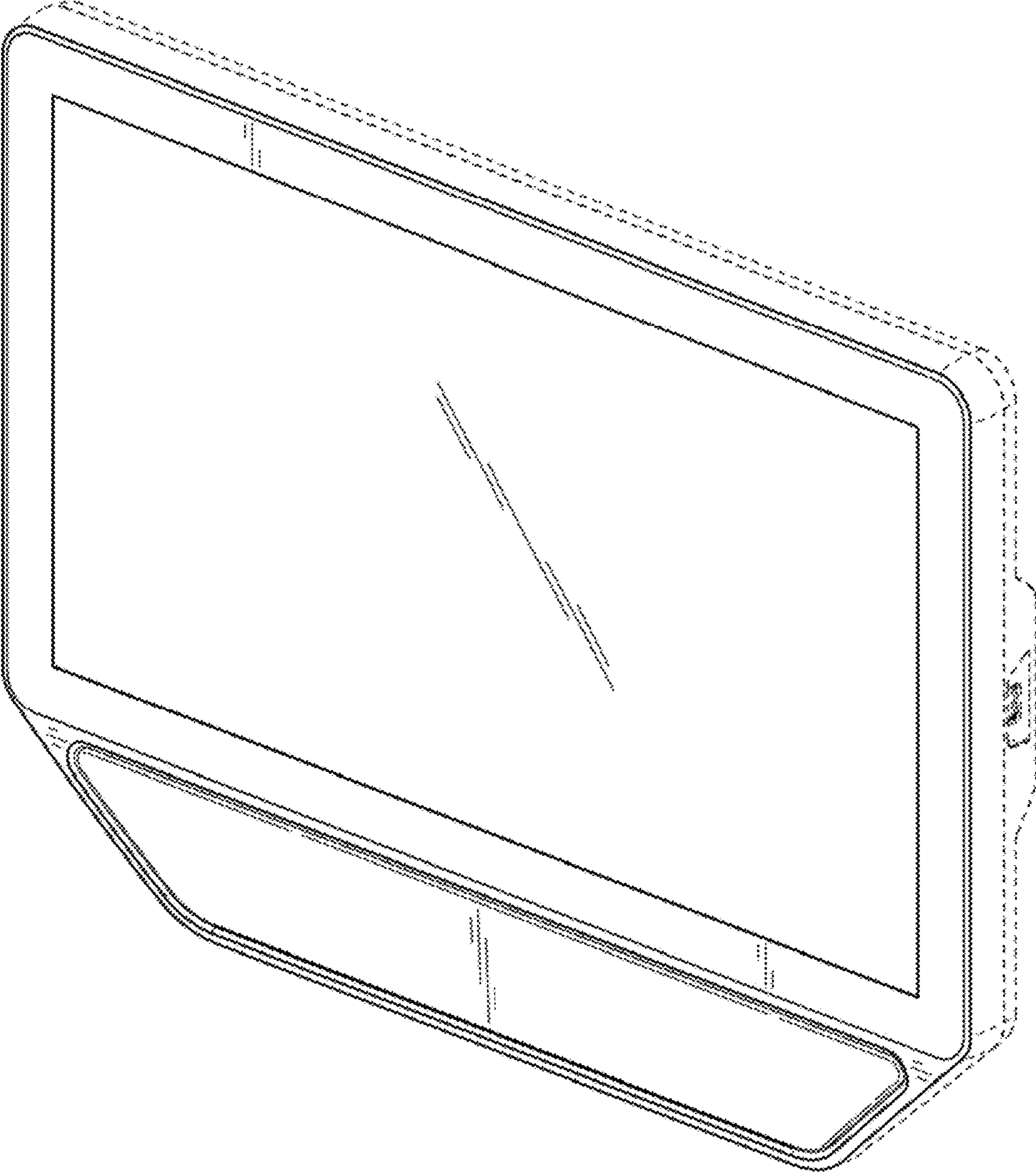


FIG. 1

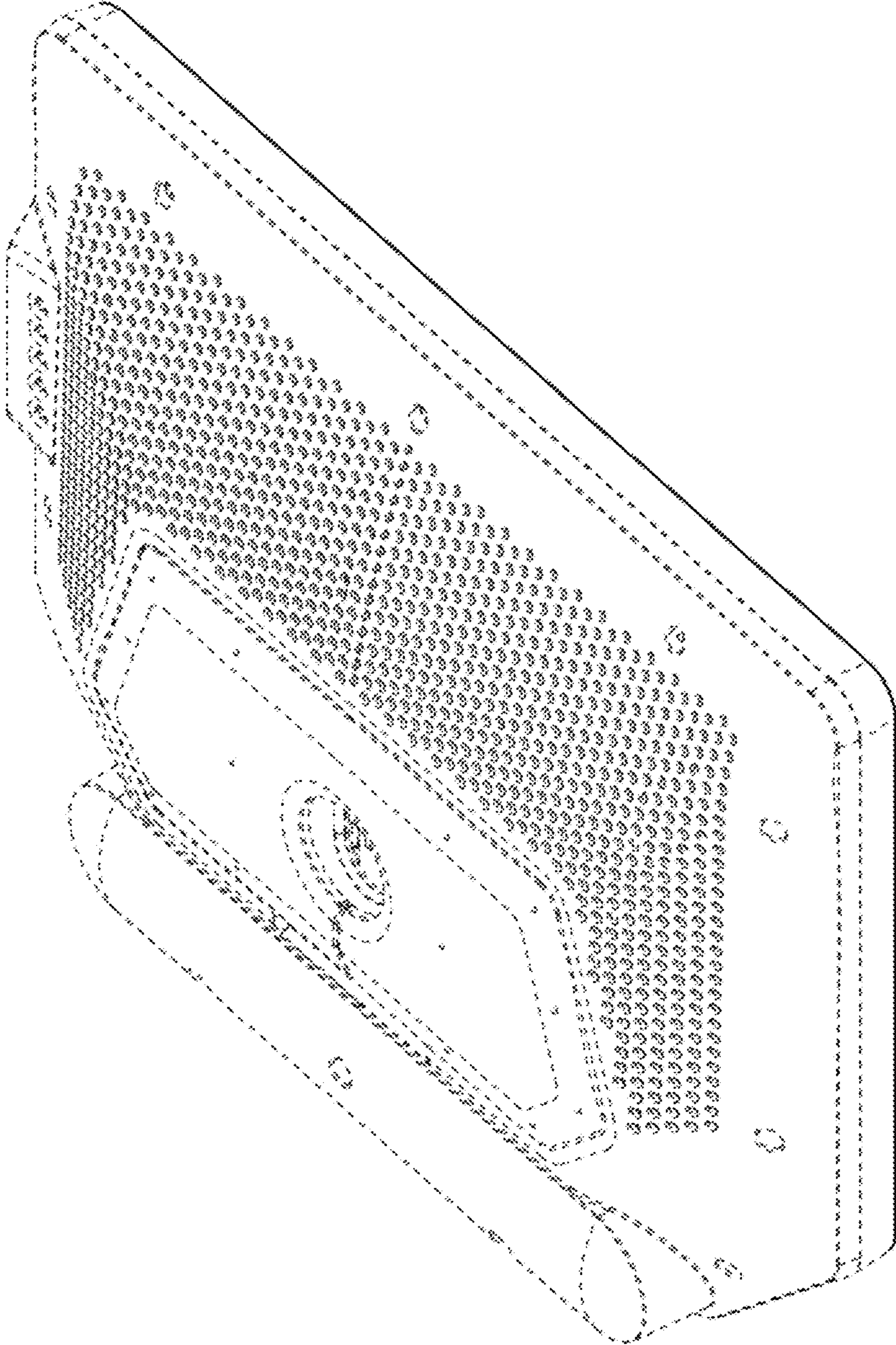


FIG. 2

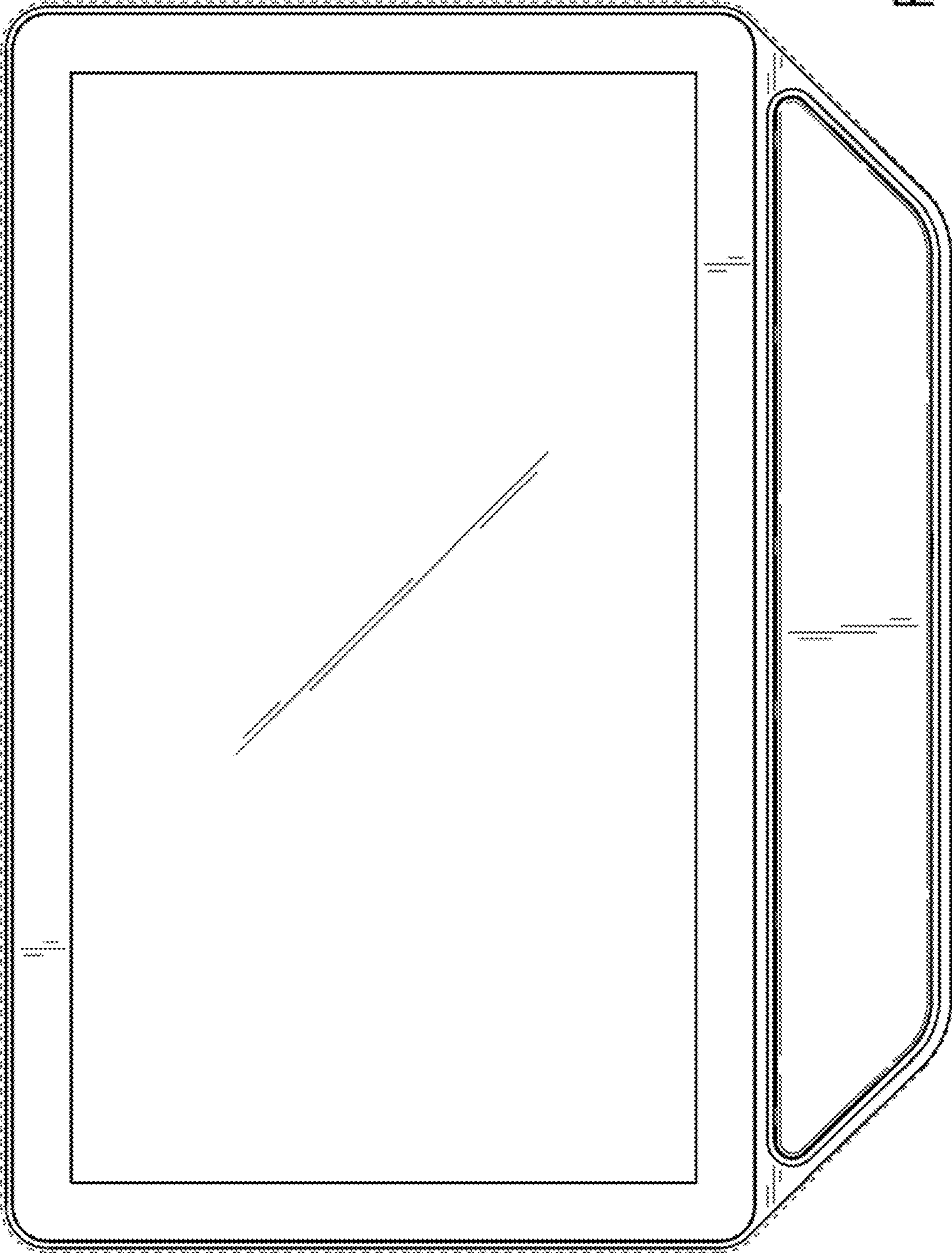


FIG. 3

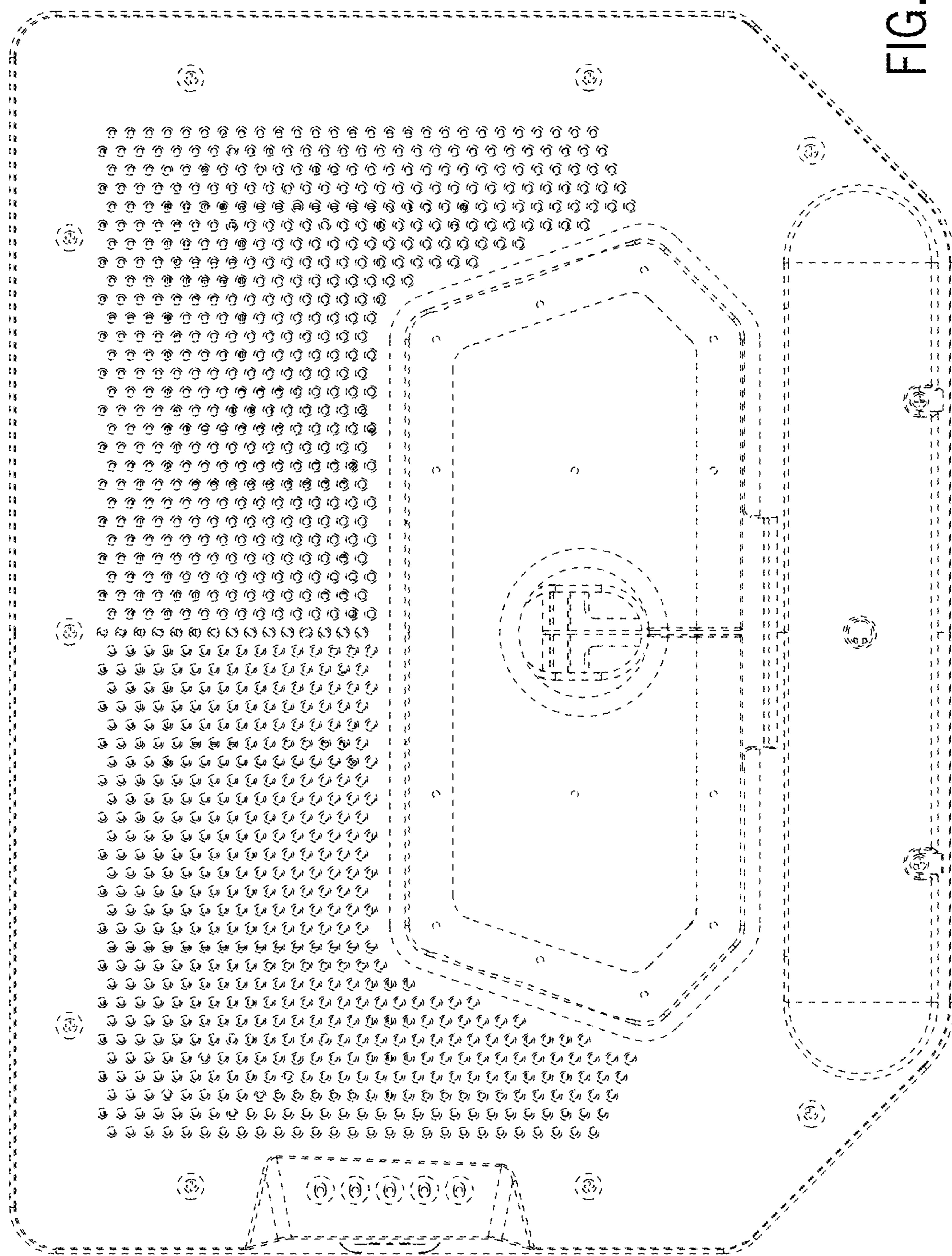


FIG. 4

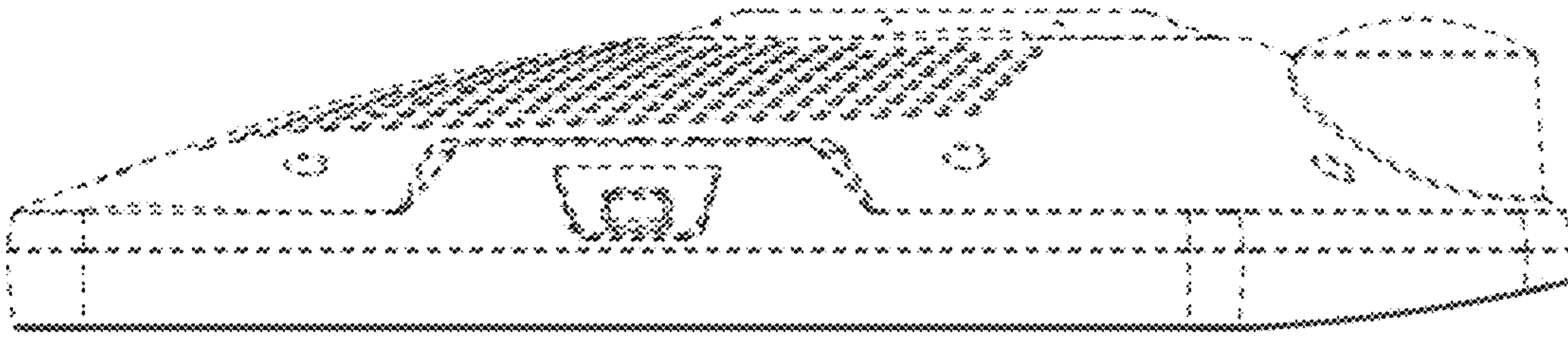


FIG. 6

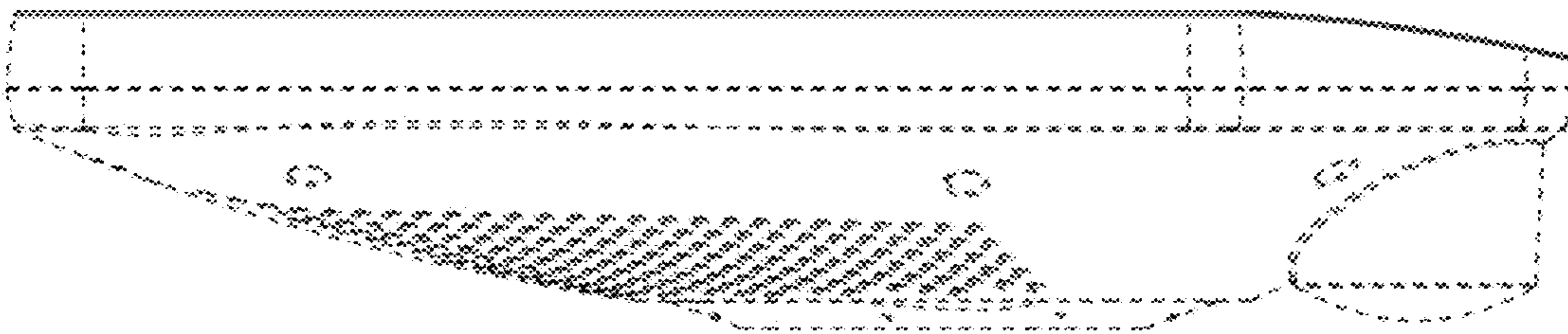


FIG. 5

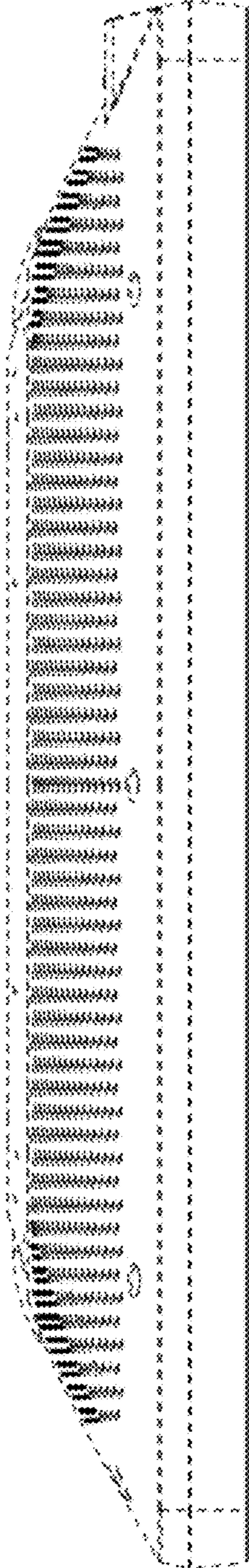


FIG. 7

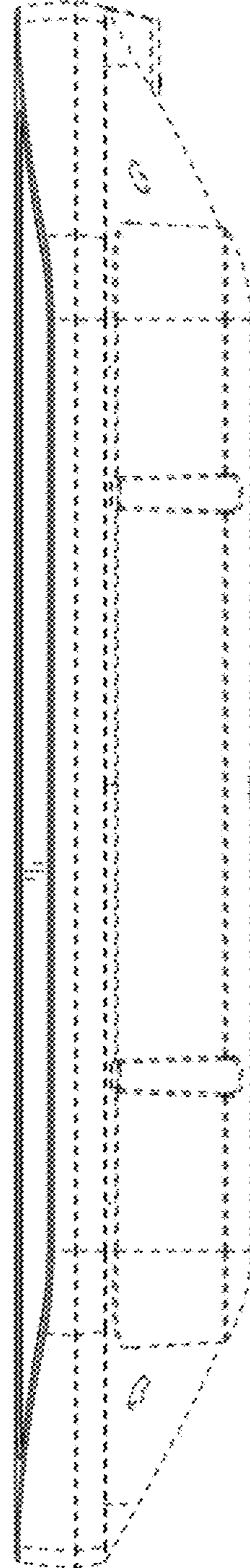


FIG. 8