



US00D953455S

(12) **United States Design Patent** (10) **Patent No.:** **US D953,455 S**
Li (45) **Date of Patent:** **** May 31, 2022**

(54) **SKIPPING ROPE**

(71) Applicant: **Healthy Kuaiche (Shanghai)**
Education Technology Co., Ltd.,
Shanghai (CN)

(72) Inventor: **Mei Li**, Liaoning (CN)

(**) Term: **15 Years**

(21) Appl. No.: **29/785,988**

(22) Filed: **May 28, 2021**

(30) **Foreign Application Priority Data**

May 21, 2021 (CN) 202130304754.7

(51) **LOC (13) Cl.** **21-02**

(52) **U.S. Cl.**
USPC **D21/694**

(58) **Field of Classification Search**
USPC D21/672, 694, 682, 402, 400, 394, 482,
D21/658, 807, 791, 683, 684; D8/303;
D19/174, 184, 917
See application file for complete search history.

(56) **References Cited**

U.S. PATENT DOCUMENTS

D338,387 S *	8/1993	Smith, Sr.	D8/303
D448,644 S *	10/2001	Perala	D8/83
D481,612 S *	11/2003	Tsai	D8/83
D494,039 S *	8/2004	Tsai	D8/107
D528,397 S *	9/2006	Hu	D8/107
D529,366 S *	10/2006	Wang	D8/107
D659,466 S *	5/2012	Wheeler	D7/395
D678,253 S *	3/2013	Lee	D14/225
8,500,355 B2 *	8/2013	Liu	A45D 34/041 401/209
D806,807 S *	1/2018	Kang	D21/672
D808,766 S *	1/2018	Weinberg	D8/107

D818,545 S	5/2018	Ross	
D847,917 S *	5/2019	Cullen	D21/672
D897,184 S *	9/2020	Perkins, Jr.	D8/303

(Continued)

OTHER PUBLICATIONS

Ziwing, announced 2020 [online], [site visited Apr. 5, 2022]. Available on internet, URL: <https://www.amazon.com/Skipping-Jumping-Adjustable-Function-Fitness/dp/B08865DVP7/ref> (Year: 2020).*

(Continued)

Primary Examiner — Khawaja Anwar
Assistant Examiner — Julice Seung Eun Oum

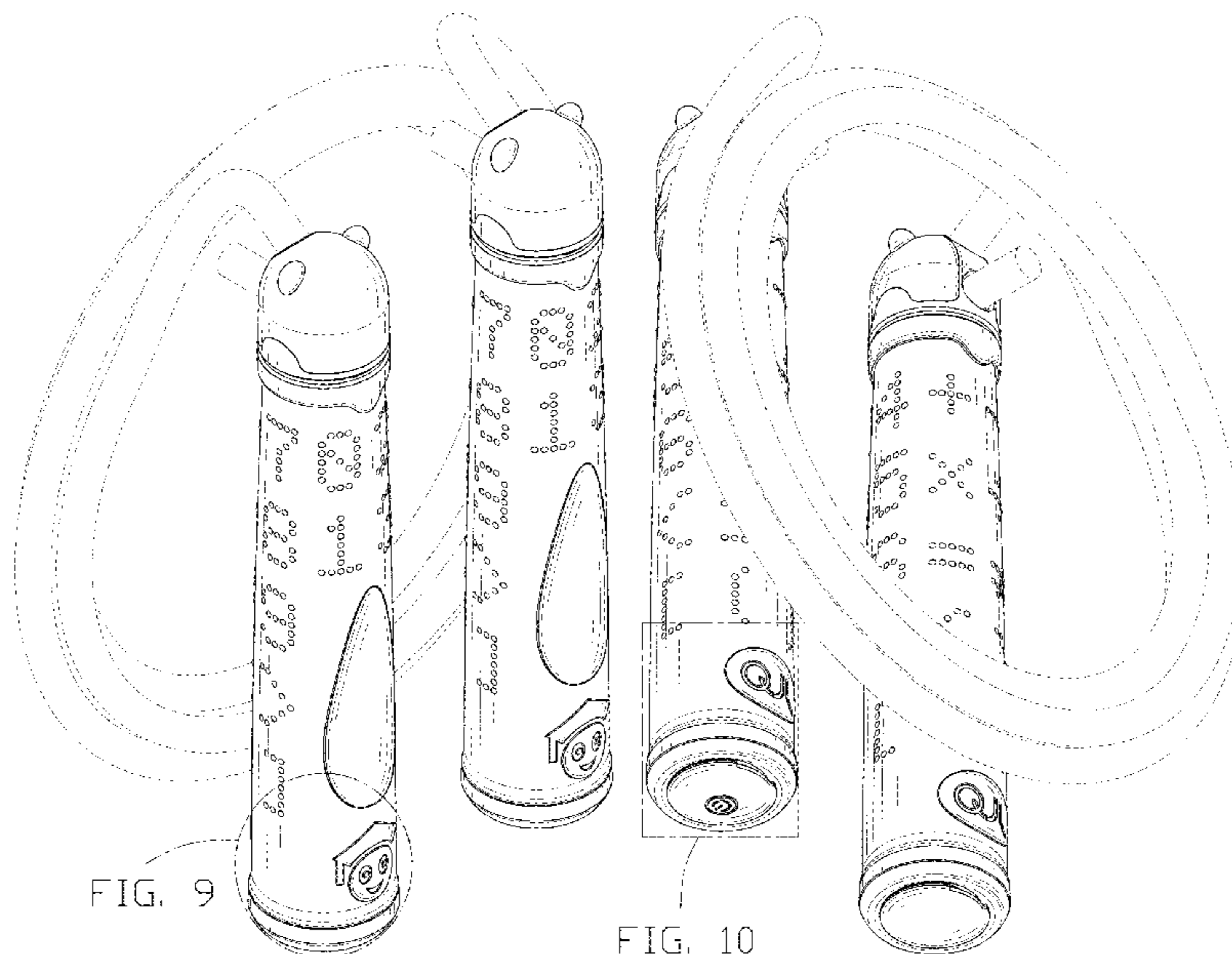
(57) **CLAIM**

The ornamental design for a skipping rope, as shown and described.

DESCRIPTION

FIG. 1 is a front and top perspective view of a skipping rope, showing my new design;
FIG. 2 is a rear and bottom perspective view thereof;
FIG. 3 is a front elevation view thereof;
FIG. 4 is a rear elevation view thereof;
FIG. 5 is a left side elevation view thereof;
FIG. 6 is a right side elevation view thereof;
FIG. 7 is a top plan view thereof;
FIG. 8 is a bottom plan view thereof;
FIG. 9 is an enlarged view of a portion labeled, 'FIG. 9' in FIG. 1; and,
FIG. 10 is an enlarged view of a portion labeled, 'FIG. 10' in FIG. 2.
The broken lines in the figures illustrate portions of the skipping rope that form no part of the claimed design. The dash dot dash lines in FIGS. 1, 2, 9 and 10 are for the purpose of depicting the cut line of the enlarged view and form no part of the claim.

1 Claim, 10 Drawing Sheets



(56)

References Cited

U.S. PATENT DOCUMENTS

2014/0018210 A1* 1/2014 Lin A63B 5/20
482/8

OTHER PUBLICATIONS

Birdie, announced 2021[online], [site visited Apr. 5, 2022]. Available on internet, URL:<https://www.thekidcollective.co.uk/liewood-birdie-skipping-rope-peppermint-multi-mix.html> (Year: 2021).*

* cited by examiner

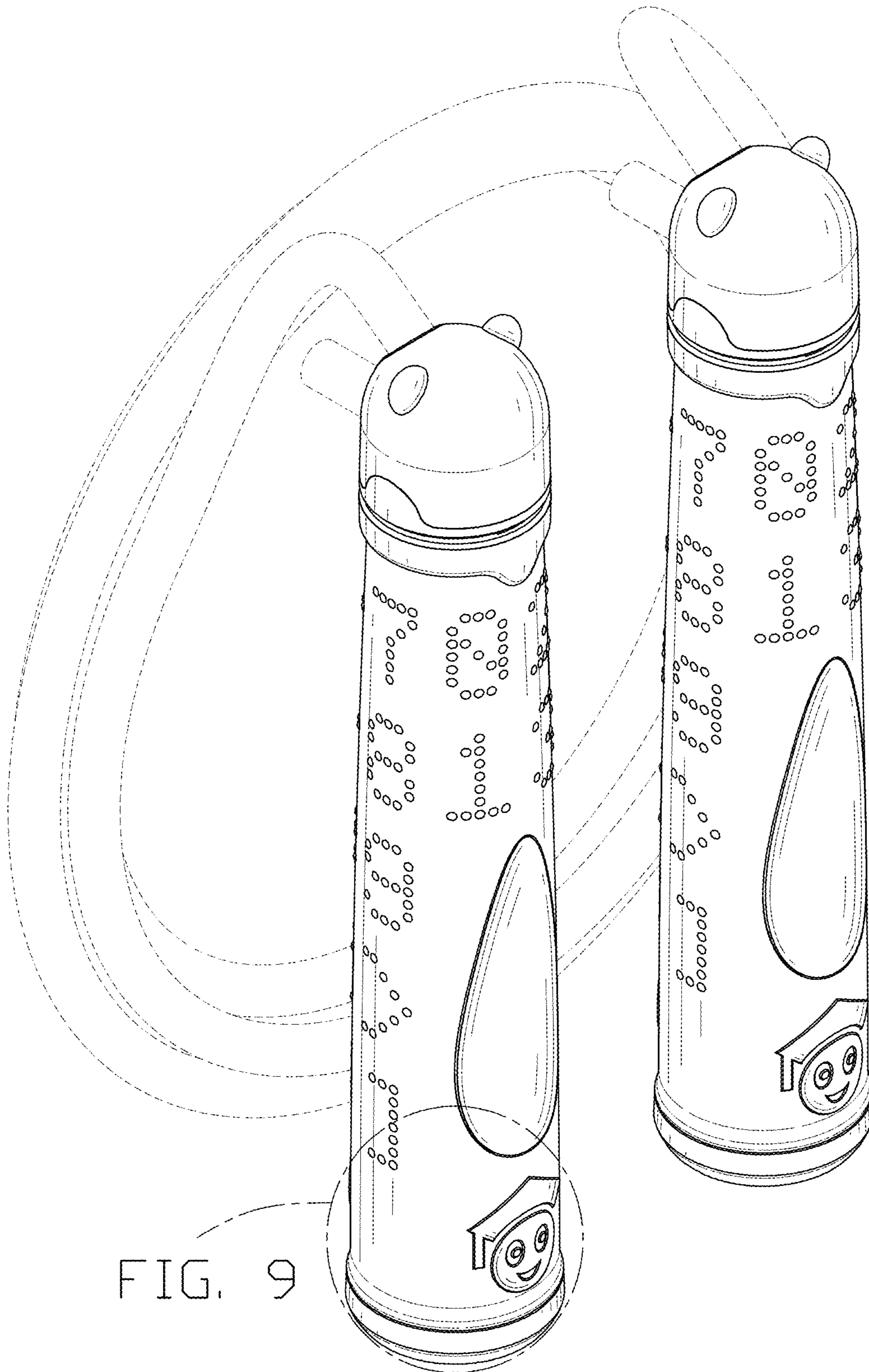


FIG. 9

FIG. 1

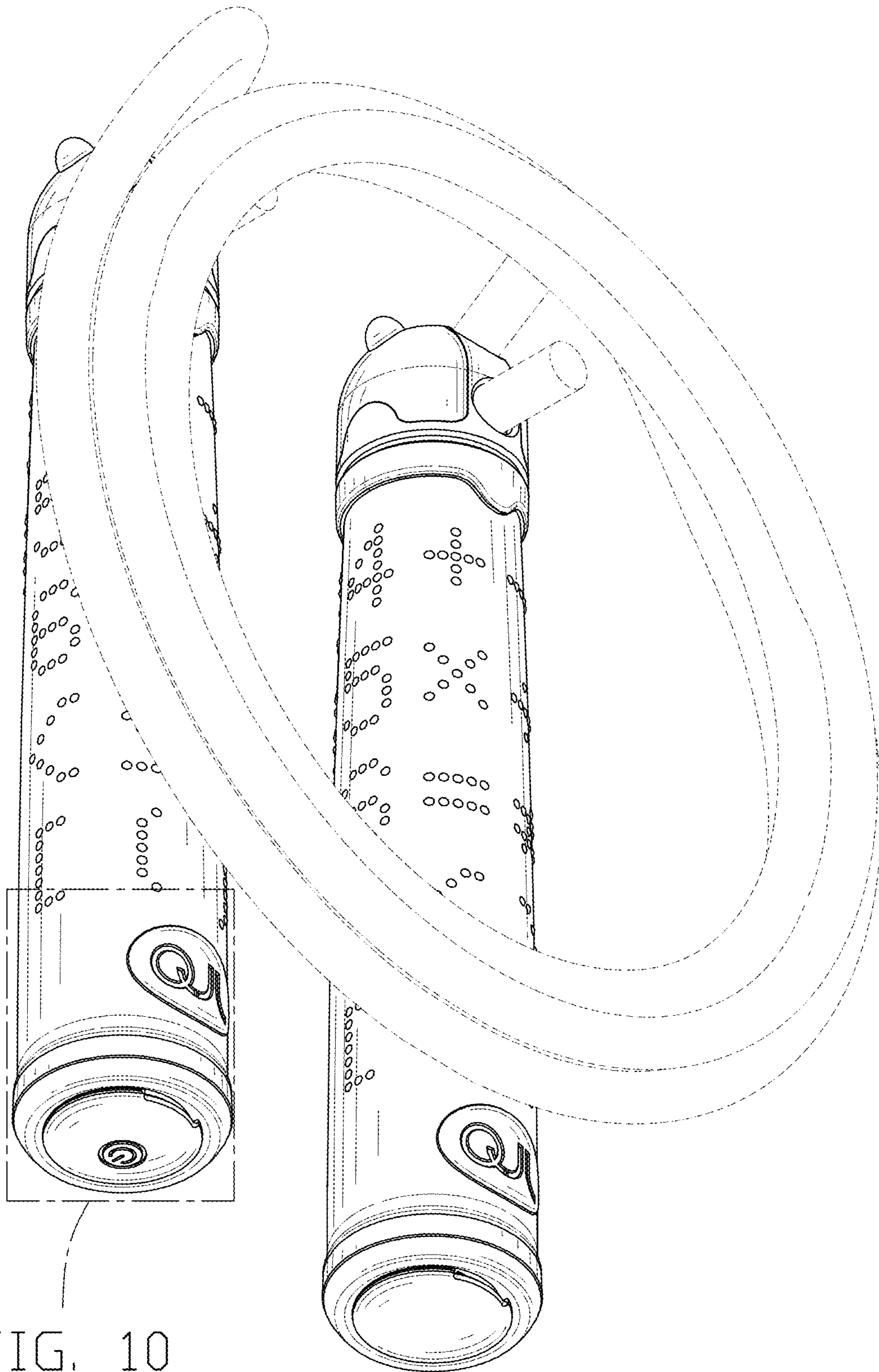


FIG. 10

FIG. 2

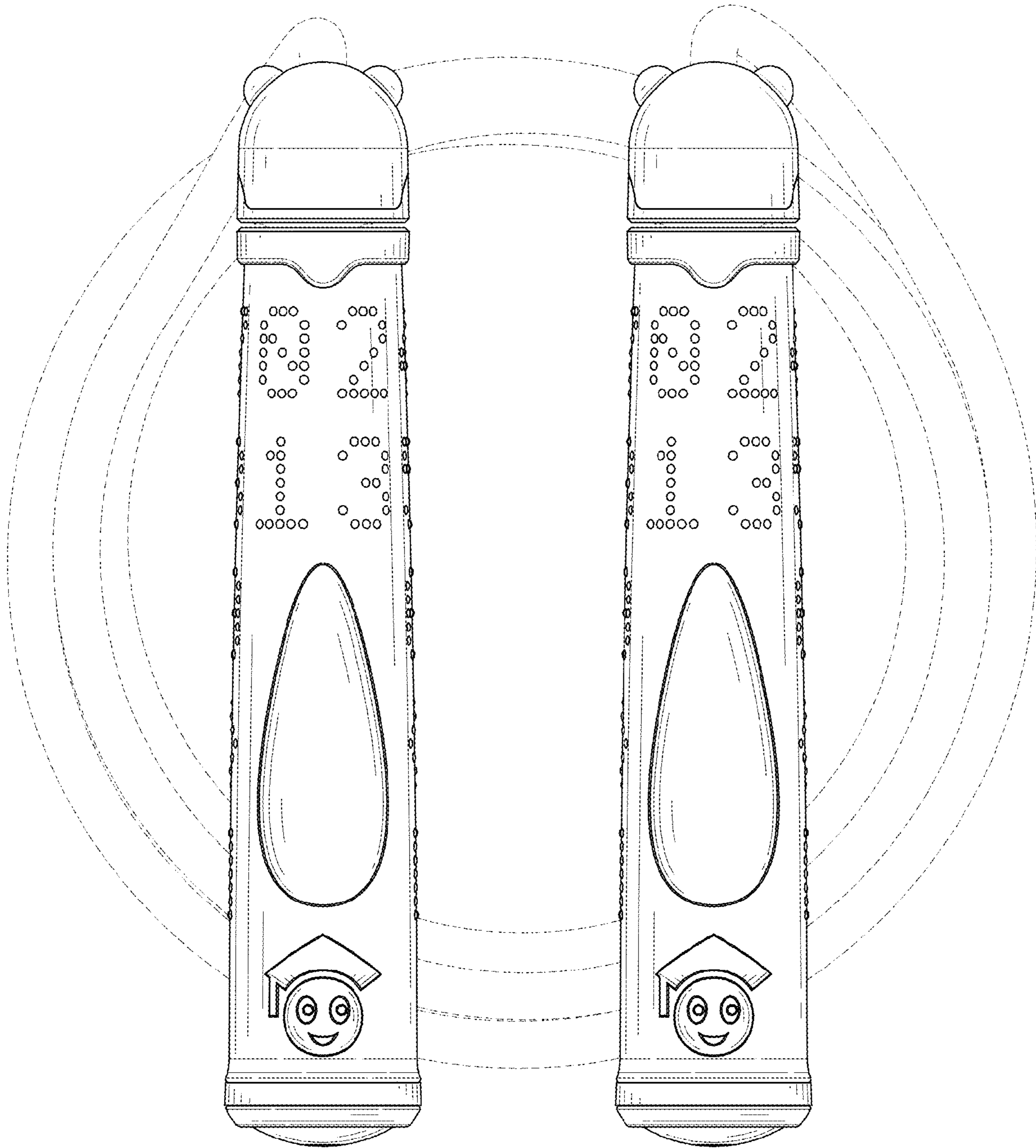


FIG. 3

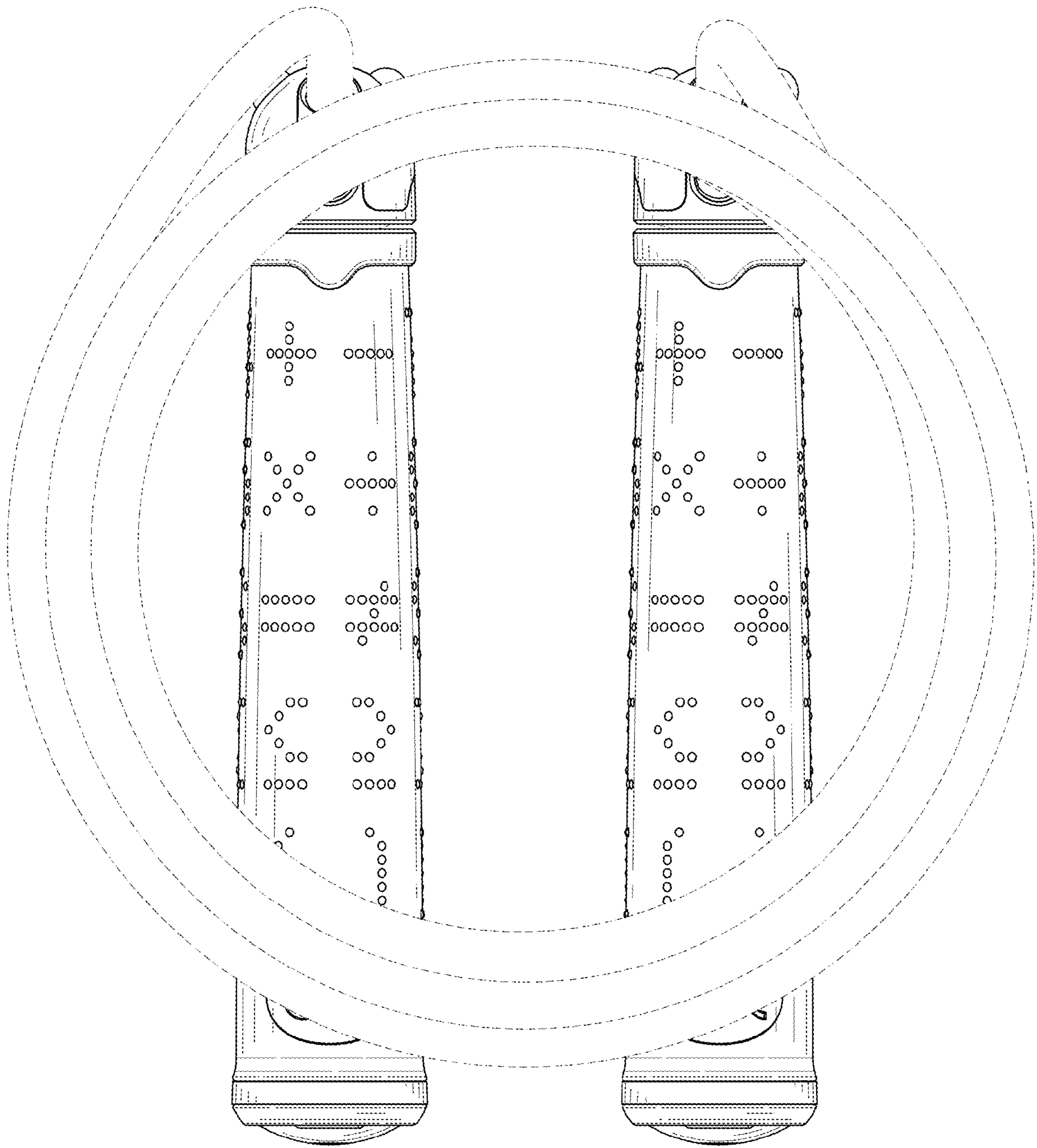


FIG. 4

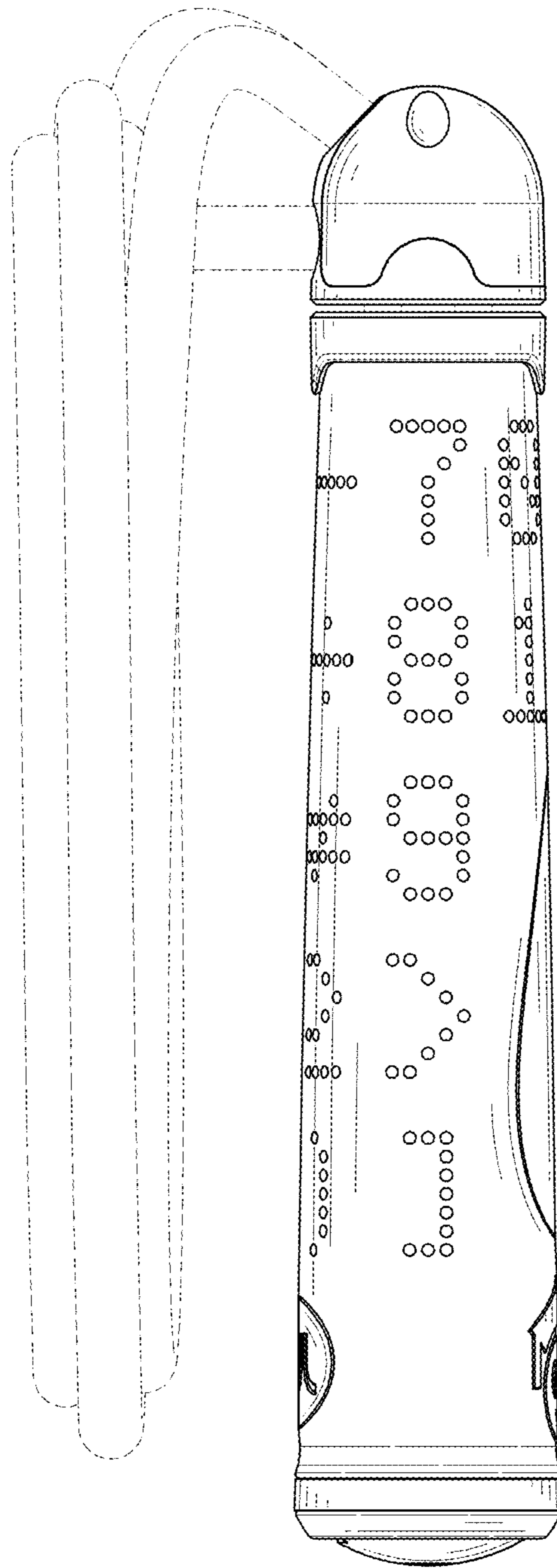


FIG. 5

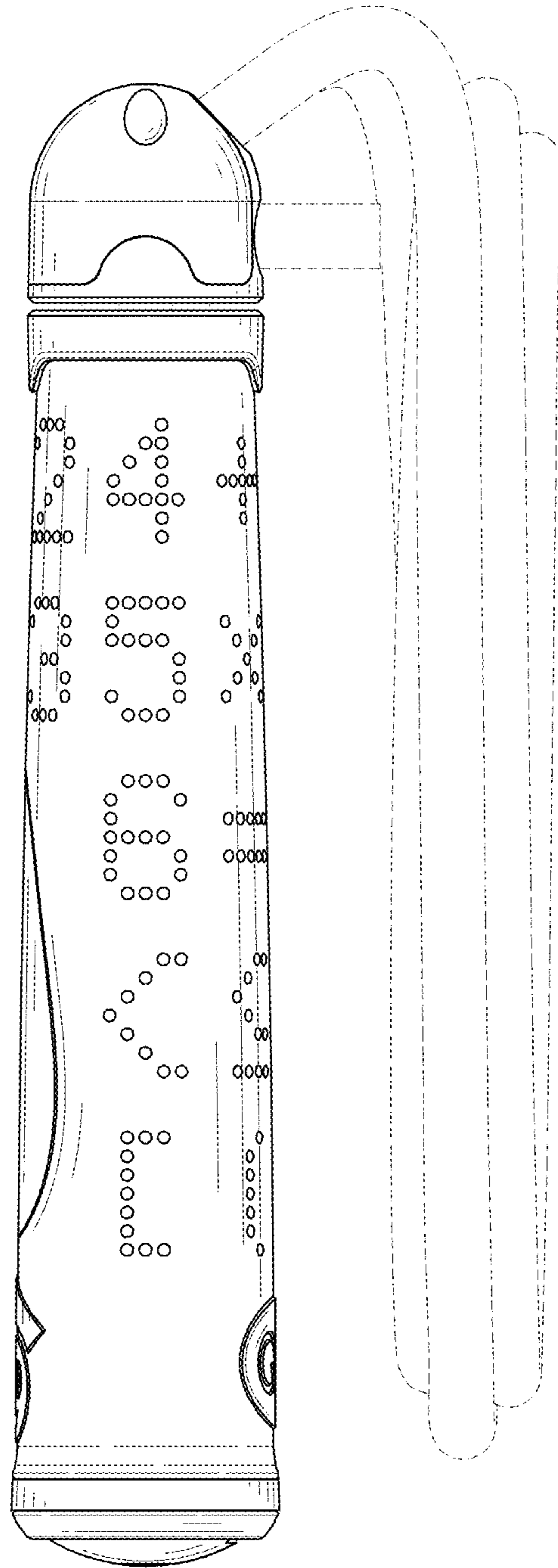


FIG. 6

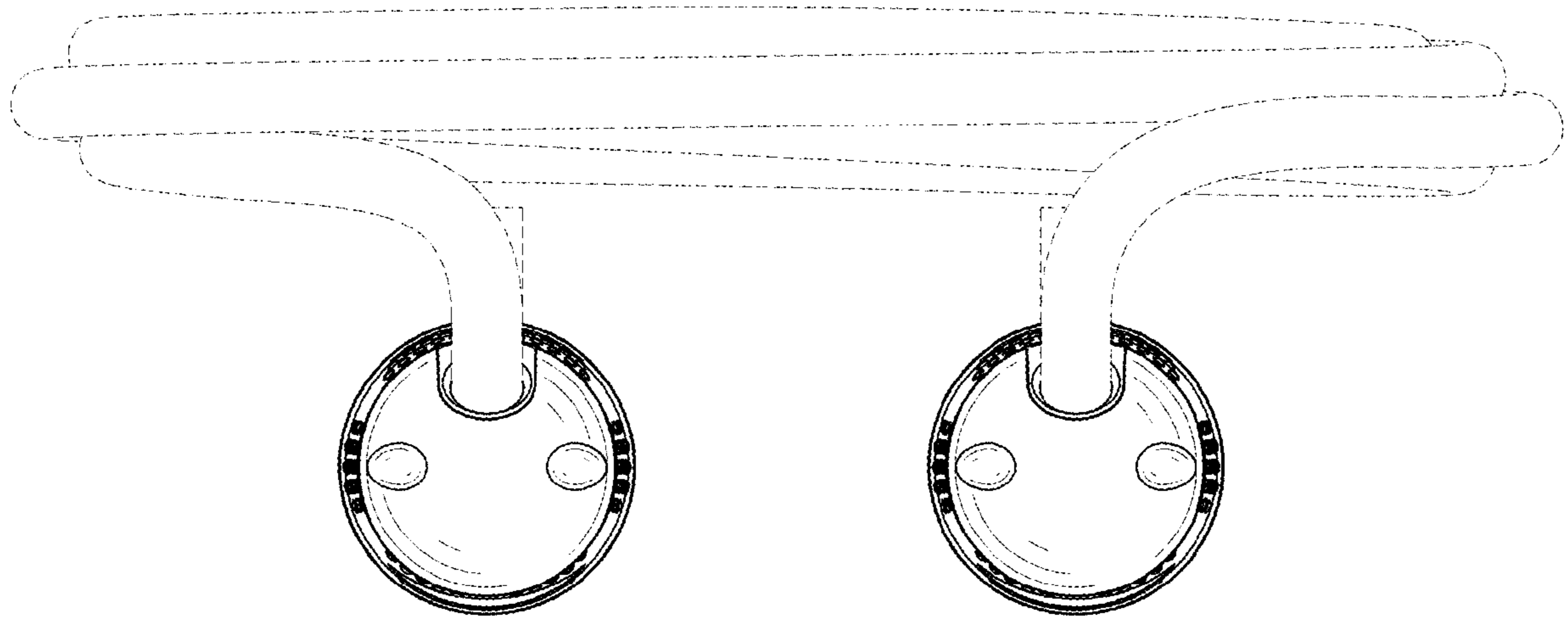


FIG. 7

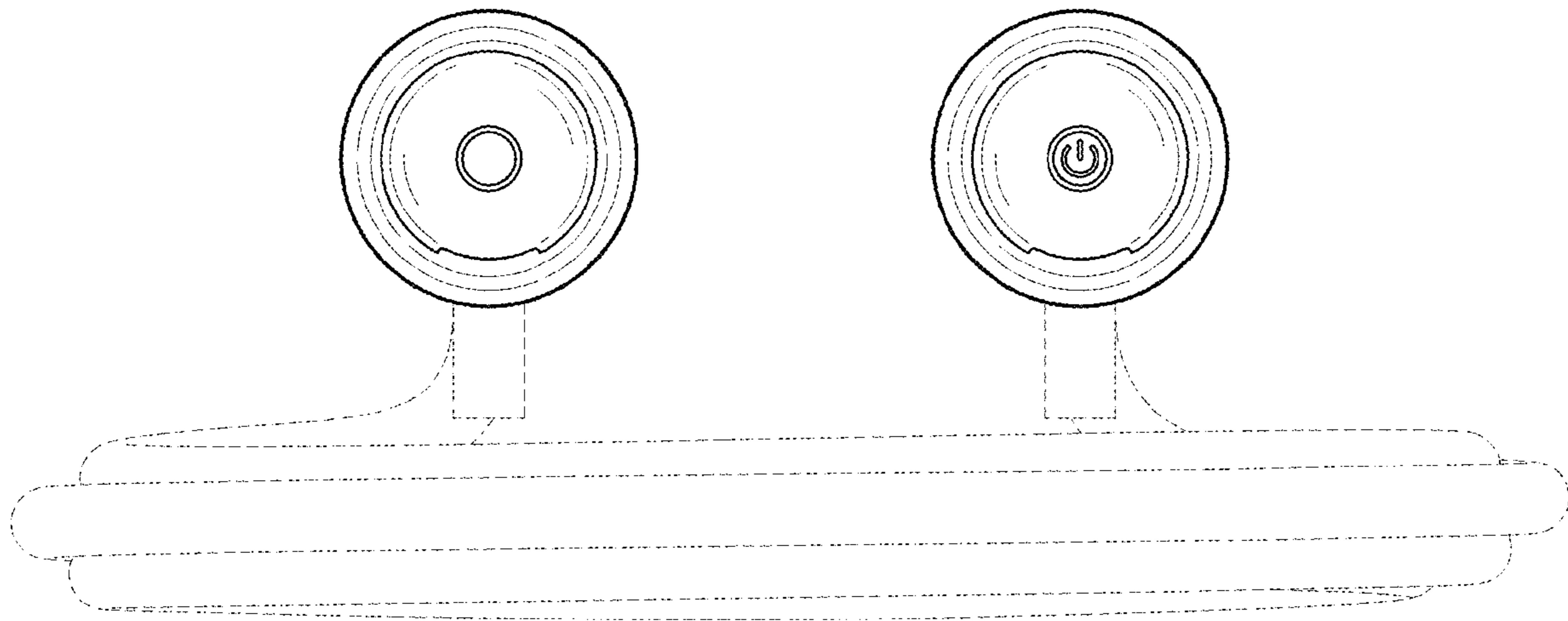


FIG. 8

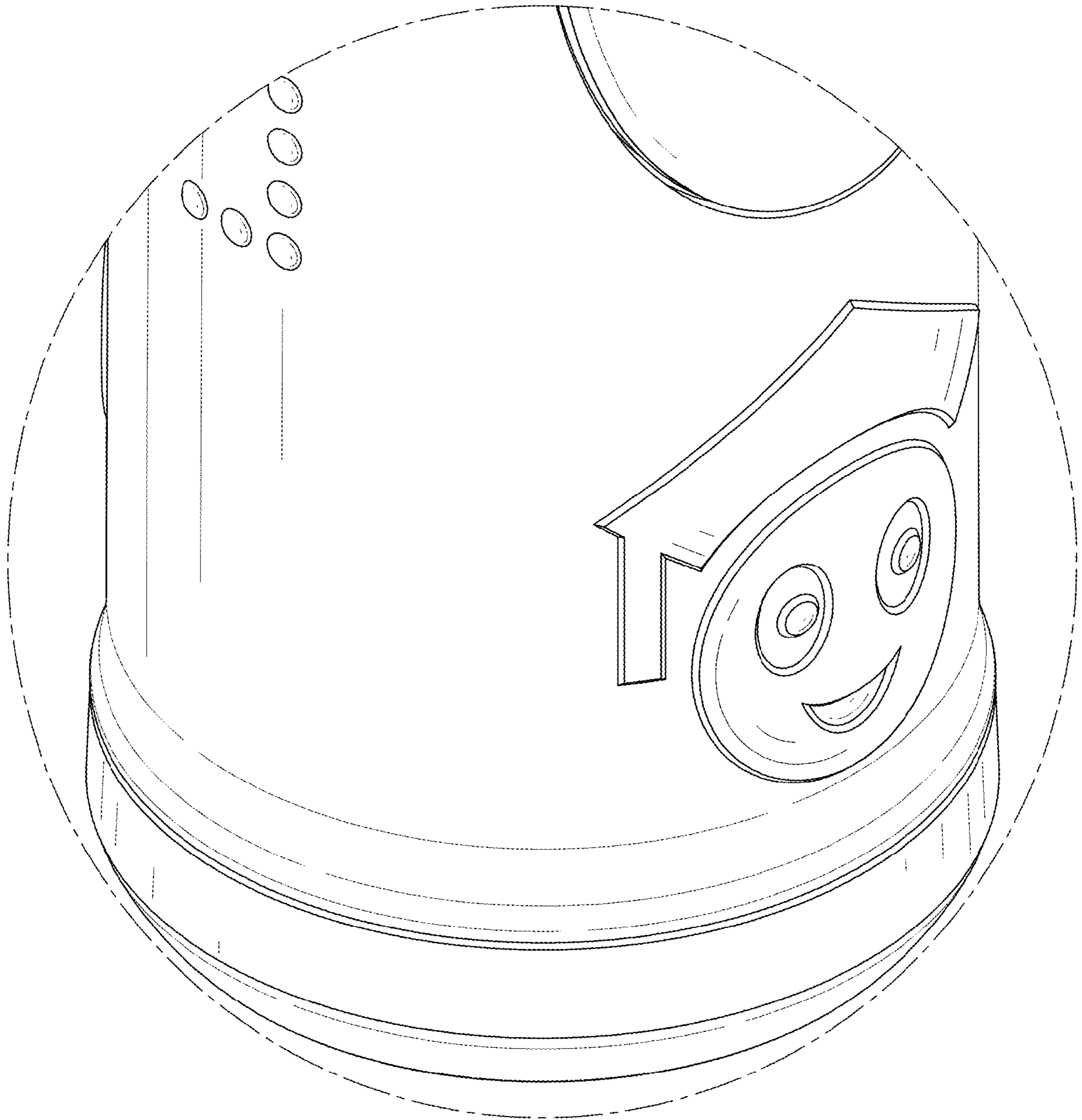


FIG. 9

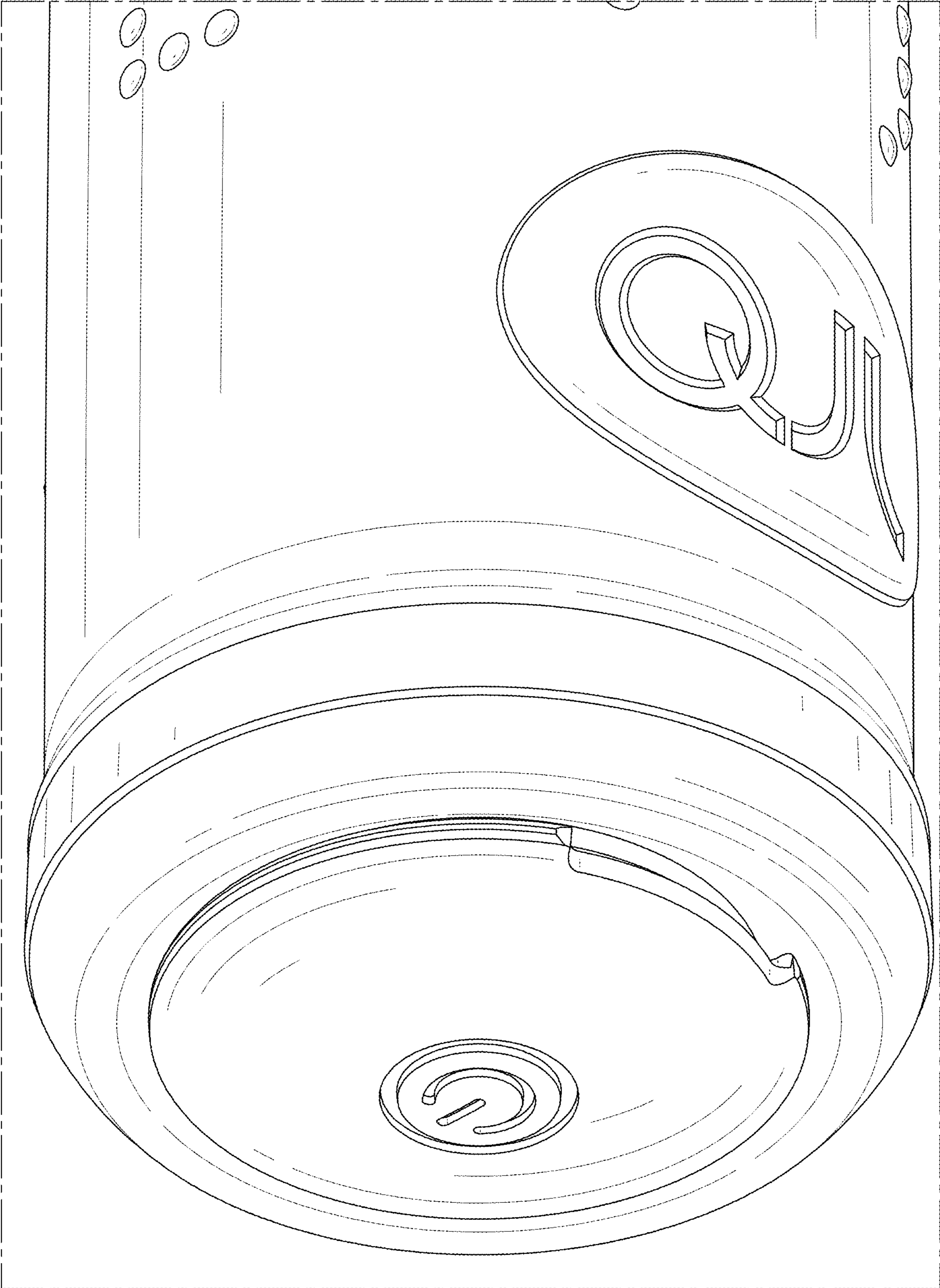


FIG. 10