



US00D953454S

(12) **United States Design Patent** (10) **Patent No.:** **US D953,454 S**  
**Duplechain** (45) **Date of Patent:** **\*\* May 31, 2022**

(54) **CONVERTIBLE WORKOUT DESK**

10,092,791 B2 10/2018 Donnelly et al.  
2012/0250238 A1\* 10/2012 Cao ..... A47B 21/007  
361/679.21  
2013/0303348 A1\* 11/2013 Cardin ..... A63B 21/078  
482/139

(71) Applicant: **Jack Duplechain**, Los Angeles, CA  
(US)

(72) Inventor: **Jack Duplechain**, Los Angeles, CA  
(US)

(Continued)

(\*\*) Term: **15 Years**

FOREIGN PATENT DOCUMENTS

(21) Appl. No.: **29/745,836**

JP D1208598 \* 4/2004

(22) Filed: **Aug. 10, 2020**

(51) **LOC (13) Cl.** ..... **21-02**

(52) **U.S. Cl.**  
USPC ..... **D21/690**

(58) **Field of Classification Search**

USPC ..... D21/662, 673, 675, 676, 679, 686, 687,  
D21/690, 691, 692, 694, 695, 696, 698,  
D21/797; D6/641, 642  
CPC ..... A63B 21/078; A63B 21/0724; A63B  
21/0783; A63B 21/0428; A63B 21/0726;  
A63B 21/4029; A63B 24/0087; A63B  
5/11; A63B 21/0087

See application file for complete search history.

OTHER PUBLICATIONS

Kicode Power Squat Rack, Heavy Duty Squat Stand Weight Lifting  
Workout Station, first available Jul. 30, 2020, amazon.com [online],  
site visited Oct. 21, 2021], Available from internet URL: [https://  
amzn.to/3vzl6cY](https://amzn.to/3vzl6cY) (Year: 2020).\*

(Continued)

*Primary Examiner* — Garth Rademaker  
*Assistant Examiner* — Salamah Jordan  
(74) *Attorney, Agent, or Firm* — Diament Patent Law,  
P.C.; Adam Diament

(56) **References Cited**

U.S. PATENT DOCUMENTS

4,650,186 A \* 3/1987 McCreery ..... A63B 21/078  
482/104  
6,454,683 B1 9/2002 Kaye  
6,558,299 B1 \* 5/2003 Slattery ..... A63B 21/078  
482/104  
6,685,601 B1 \* 2/2004 Knapp ..... A63B 21/078  
482/104  
7,163,488 B2 \* 1/2007 Anders ..... A63B 21/0724  
482/104  
D666,259 S \* 8/2012 Garcia ..... D21/686  
9,050,496 B2 \* 6/2015 Towley, III ..... A63B 21/0428  
9,327,160 B2 \* 5/2016 Tauriainen ..... A63B 21/0783  
D784,465 S \* 4/2017 Moschel ..... D21/690  
D785,107 S \* 4/2017 Moschel  
9,682,307 B2 6/2017 Dalebout

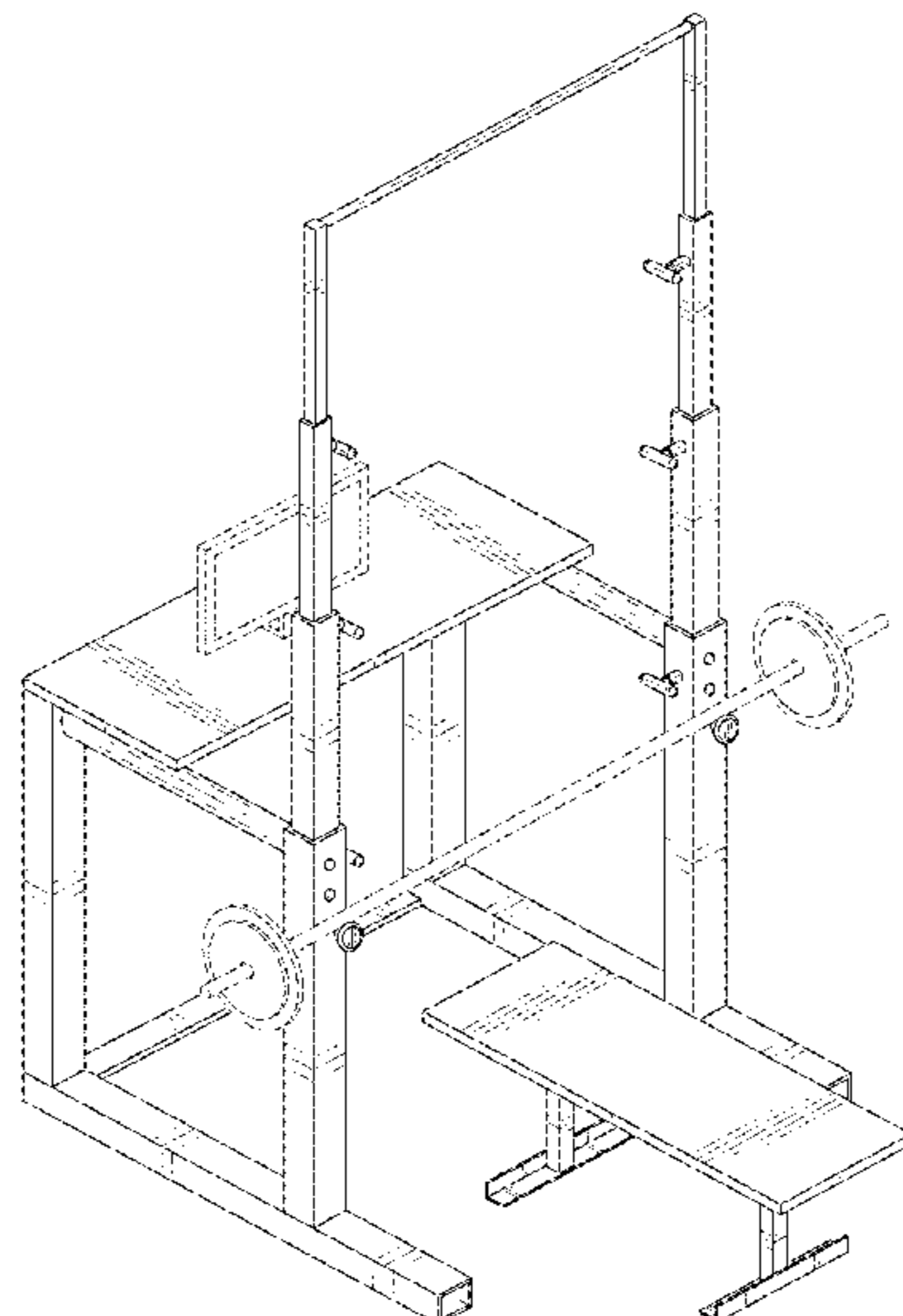
(57) **CLAIM**

The ornamental design for a convertible workout desk, as  
shown and described.

**DESCRIPTION**

FIG. 1 is a perspective view of a convertible workout desk,  
showing my new design;  
FIG. 2 is a front view thereof;  
FIG. 3 is a rear view thereof;  
FIG. 4 is a right side view thereof;  
FIG. 5 is a left side view thereof;  
FIG. 6 is a top view thereof; and,  
FIG. 7 is a bottom view thereof.  
The evenly dashed broken lines of the disclosure are for  
environmental purposes only and form no part of the  
claimed design.

**1 Claim, 7 Drawing Sheets**



(56)

**References Cited**

U.S. PATENT DOCUMENTS

2017/0028246 A1\* 2/2017 Vorozilchak ..... A63B 24/0087  
2018/0290001 A1\* 10/2018 Baek ..... A63B 24/0087  
2019/0030389 A1\* 1/2019 Daravong ..... A63B 21/078  
2019/0314667 A1\* 10/2019 Smith ..... A63B 21/4029  
2021/0228935 A1\* 7/2021 Duplechain ..... A63B 21/0726

OTHER PUBLICATIONS

Electric Height Adjustable Standing Desk, Electric Standing Workstation, first available Dec. 8, 2020, amazon.com [online], site visited Oct. 21, 2021], Available from internet URL: <https://amzn.to/3vz16cY> (Year: 2020).\*

\* cited by examiner

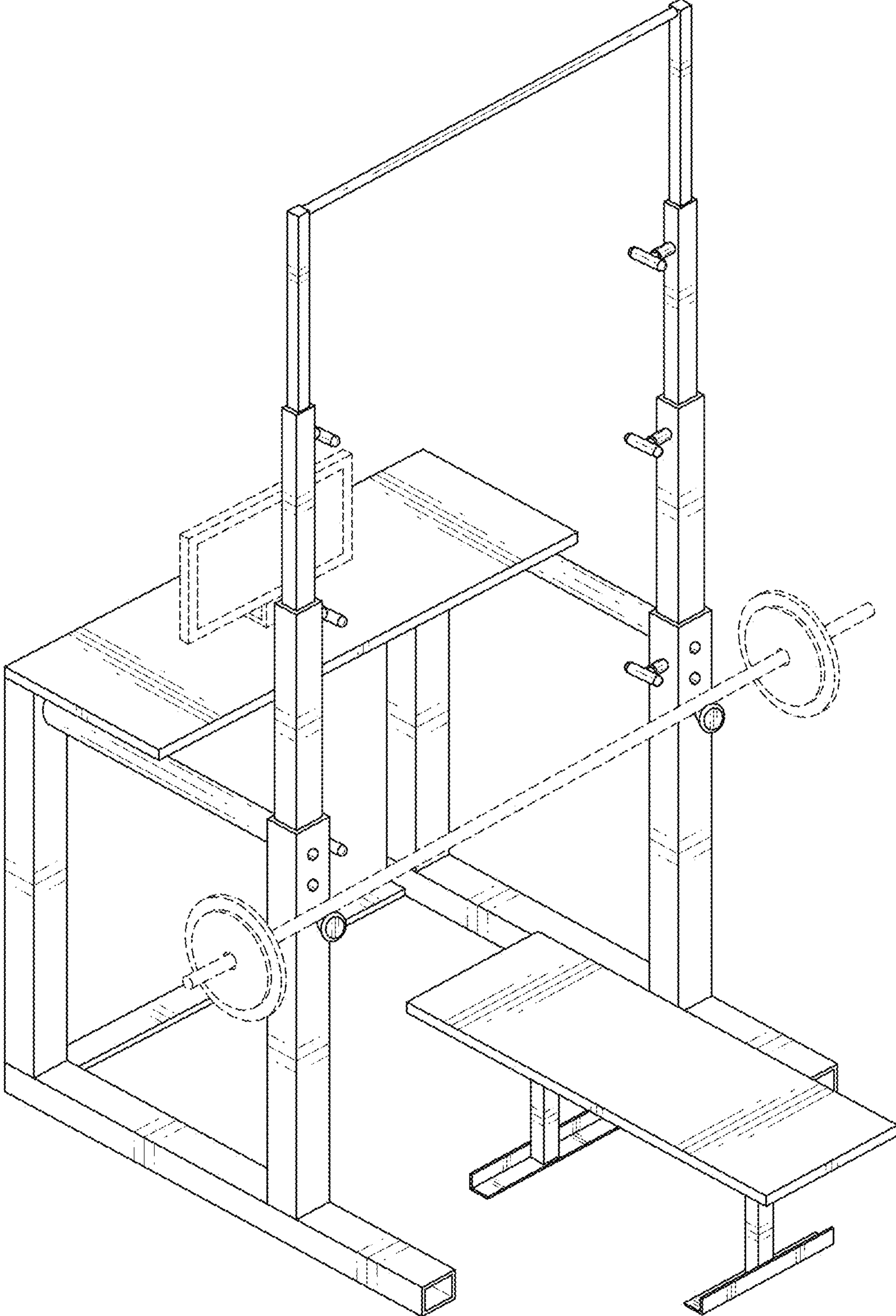


FIG. 1

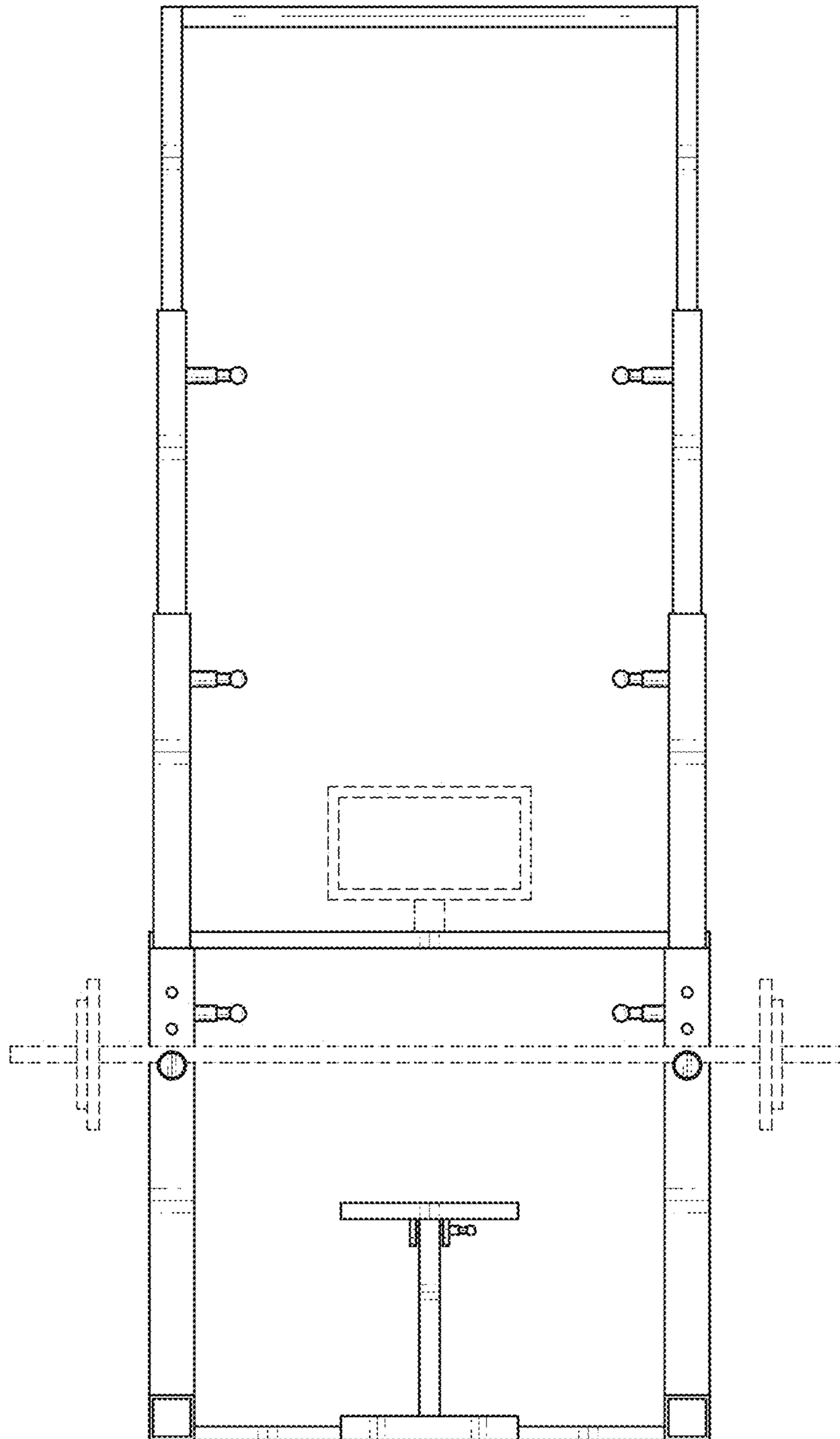


FIG. 2

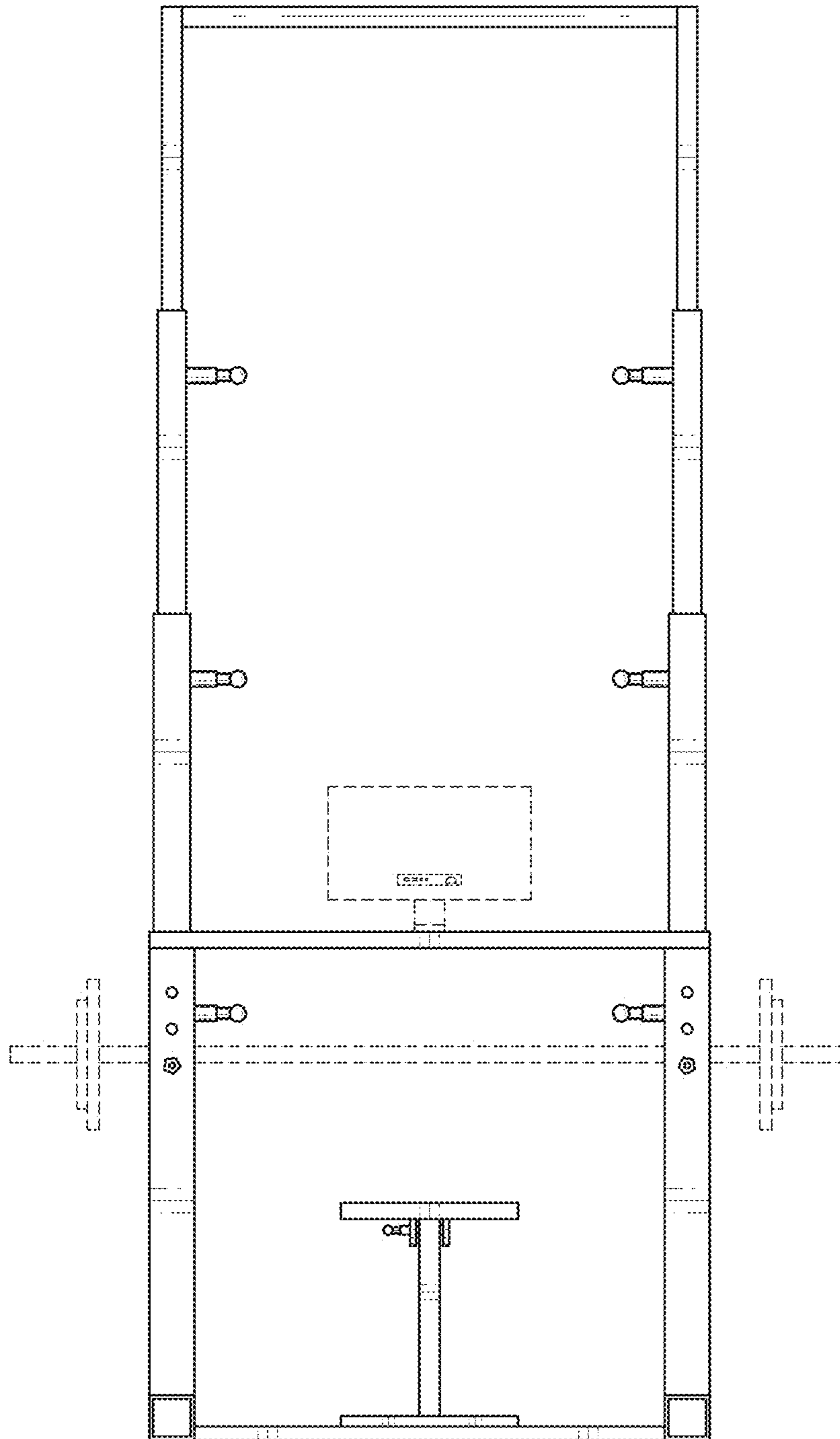


FIG. 3



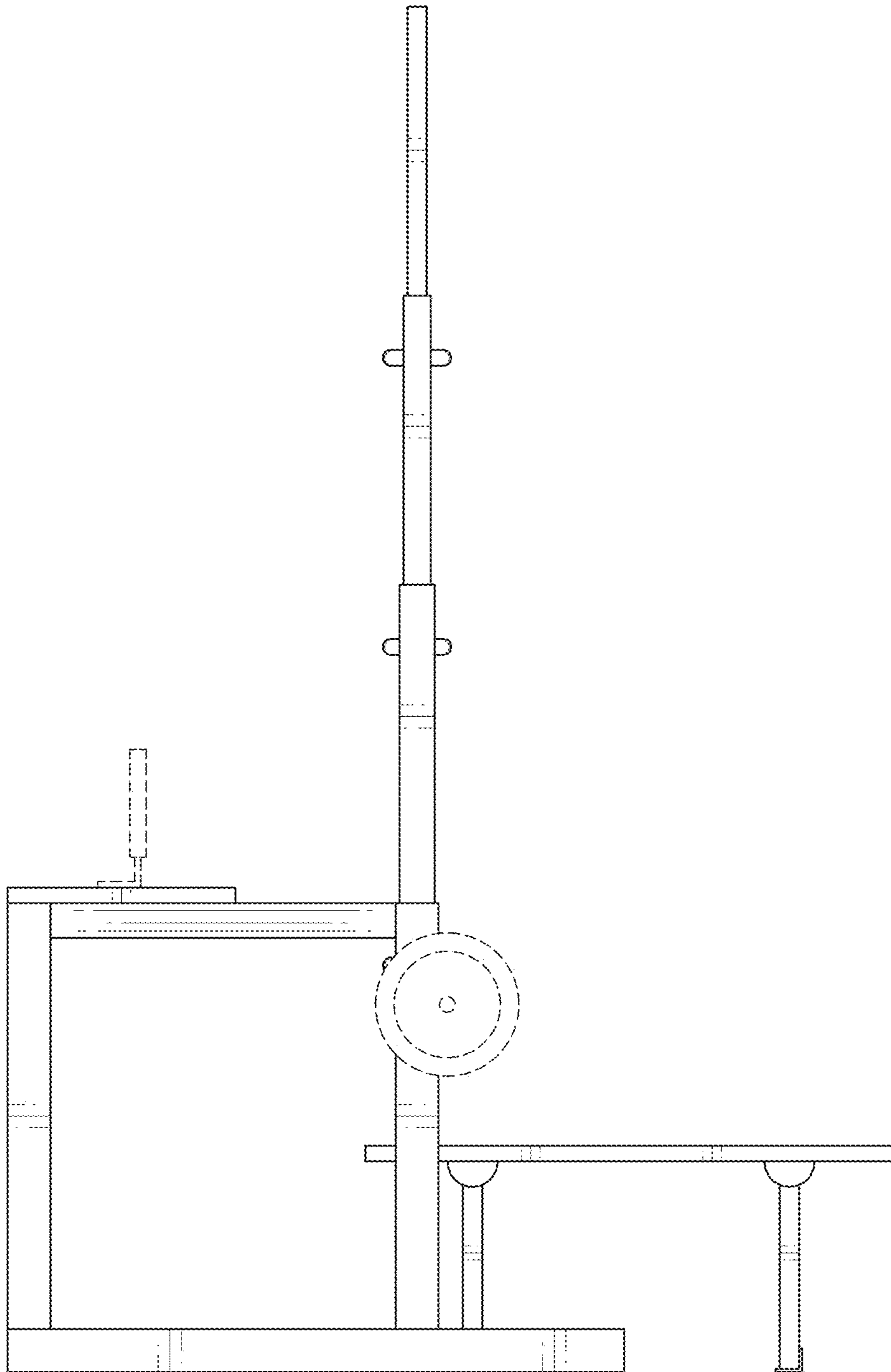


FIG. 4

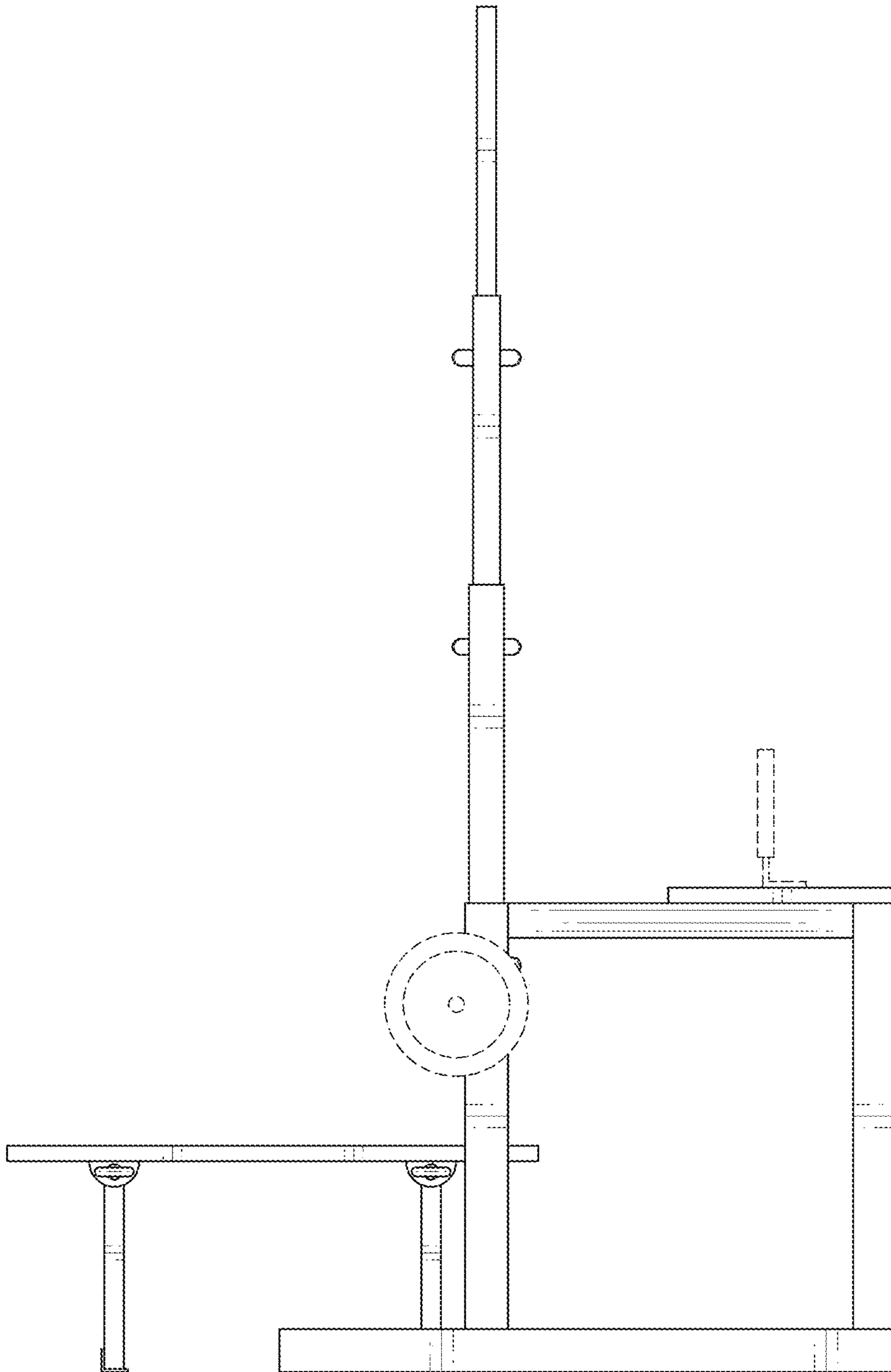


FIG. 5

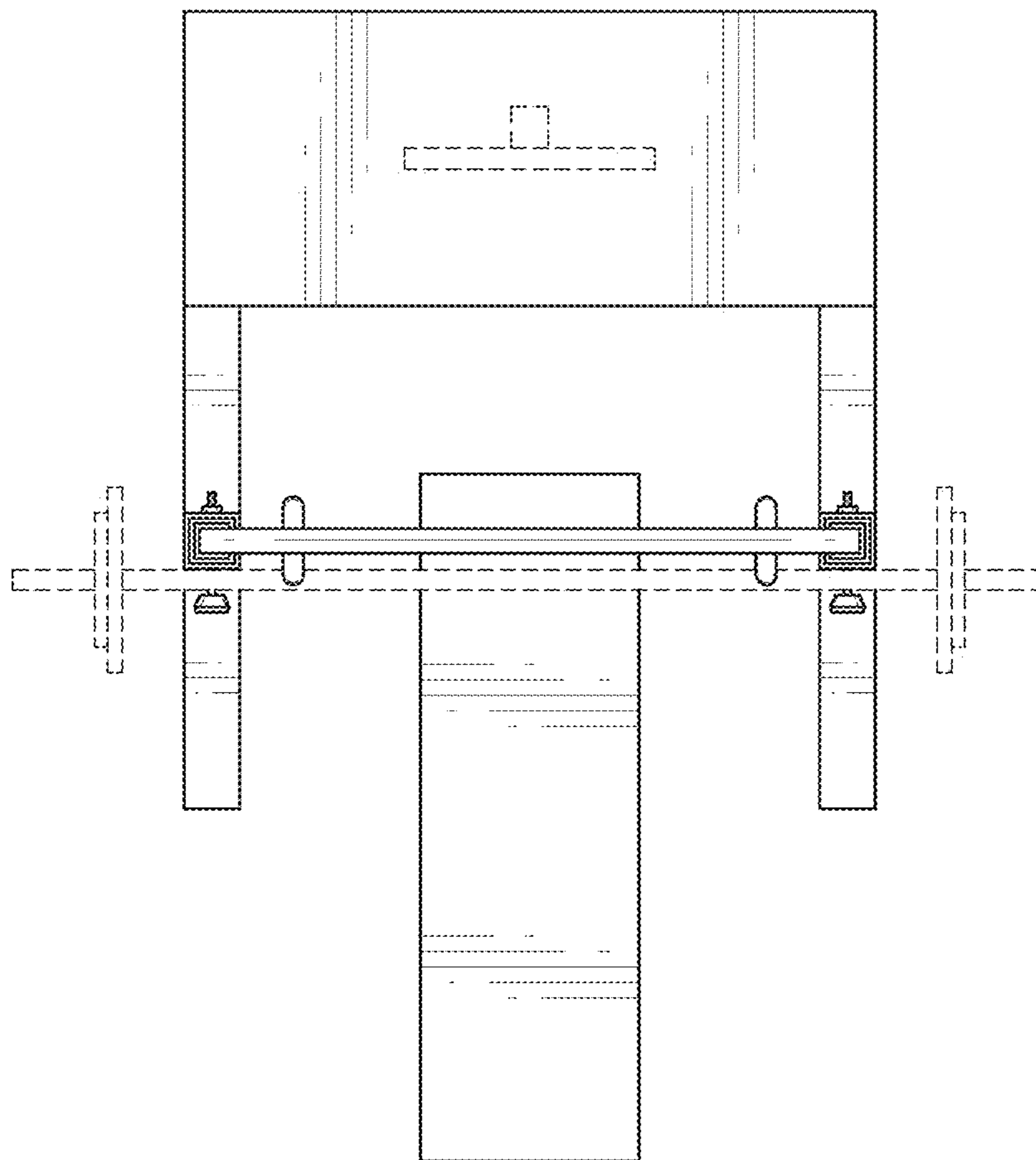


FIG. 6



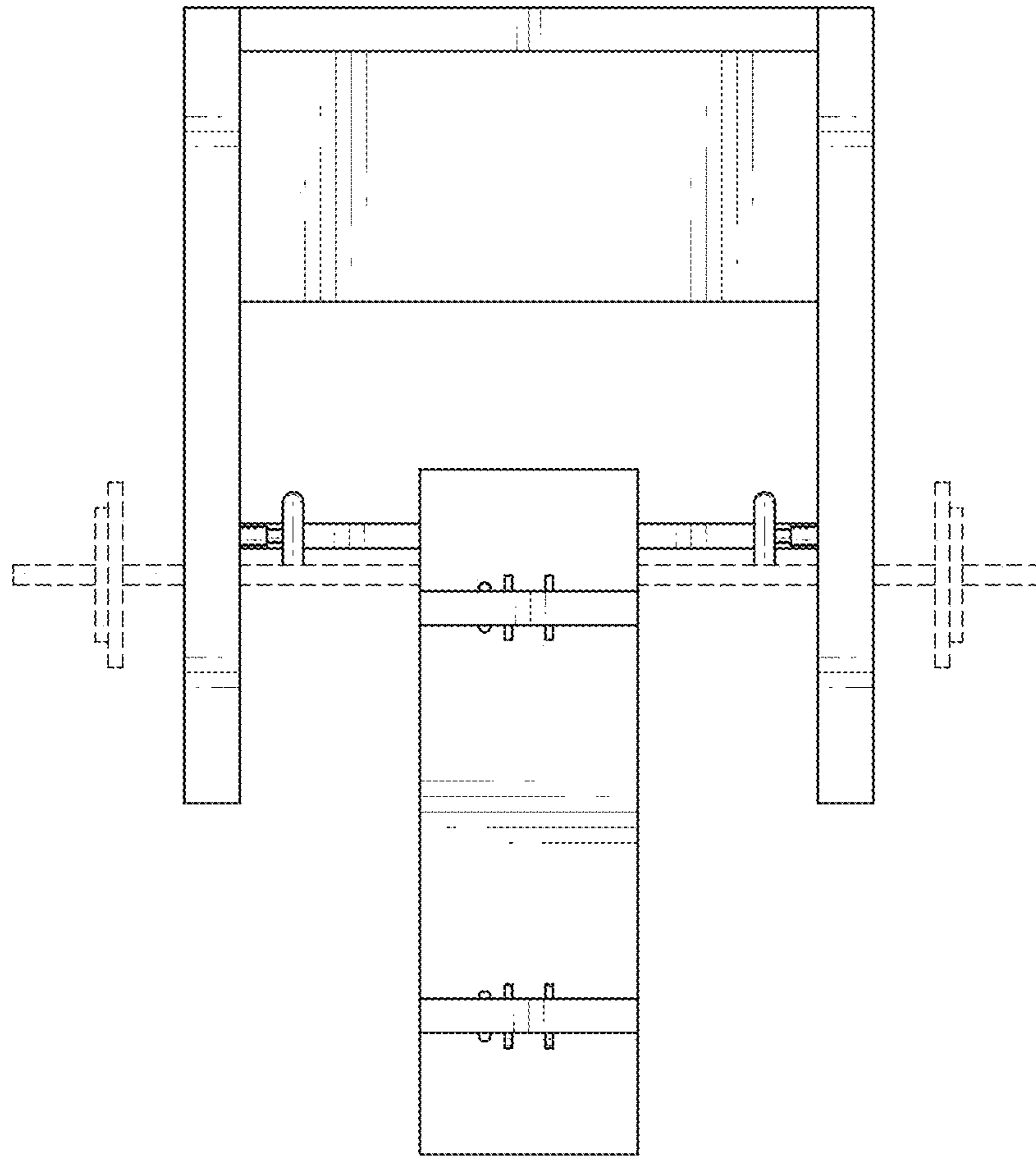


FIG. 7