



US00D953453S

(12) **United States Design Patent**
Boyhan

(10) **Patent No.:** **US D953,453 S**
(45) **Date of Patent:** **** May 31, 2022**

(54) **PULL-UP/CHIN-UP APPARATUS HAVING
MULTI-ANGLED BAR GRIPS**

(71) Applicant: **James Boyhan**, Boonton, NJ (US)

(72) Inventor: **James Boyhan**, Boonton, NJ (US)

(**) Term: **15 Years**

(21) Appl. No.: **29/755,530**

(22) Filed: **Oct. 21, 2020**

(51) **LOC (13) Cl.** **21-02**

(52) **U.S. Cl.**
USPC **D21/686**

(58) **Field of Classification Search**
USPC D21/673, 675, 686, 662, 665, 677, 679,
D21/980, 681, 694
See application file for complete search history.

(56) **References Cited**

U.S. PATENT DOCUMENTS

5,011,139	A	4/1991	Towley, III	
D401,985	S *	12/1998	Wheeler	D21/686
D408,476	S *	4/1999	Howachyn	D21/798
D441,813	S *	5/2001	Ceppo	482/104
D480,772	S *	10/2003	Washington	D21/686
D495,380	S *	8/2004	Ceppo	D21/686
D495,381	S *	8/2004	Ceppo	D21/686
D529,633	S *	10/2006	Zarb	D25/136
9,017,238	B2	4/2015	Meredith et al.	

10,376,727	B2	8/2019	Fitzpatrick	
D924,988	S *	7/2021	Barton	D21/679
2007/0232464	A1	10/2007	Chu	
2011/0195822	A1	8/2011	Donofrio	
2015/0217156	A1	8/2015	Meredith et al.	

* cited by examiner

Primary Examiner — Khawaja Anwar

Assistant Examiner — Julice Seung Eun Oum

(74) *Attorney, Agent, or Firm* — Thomas J. Germinario

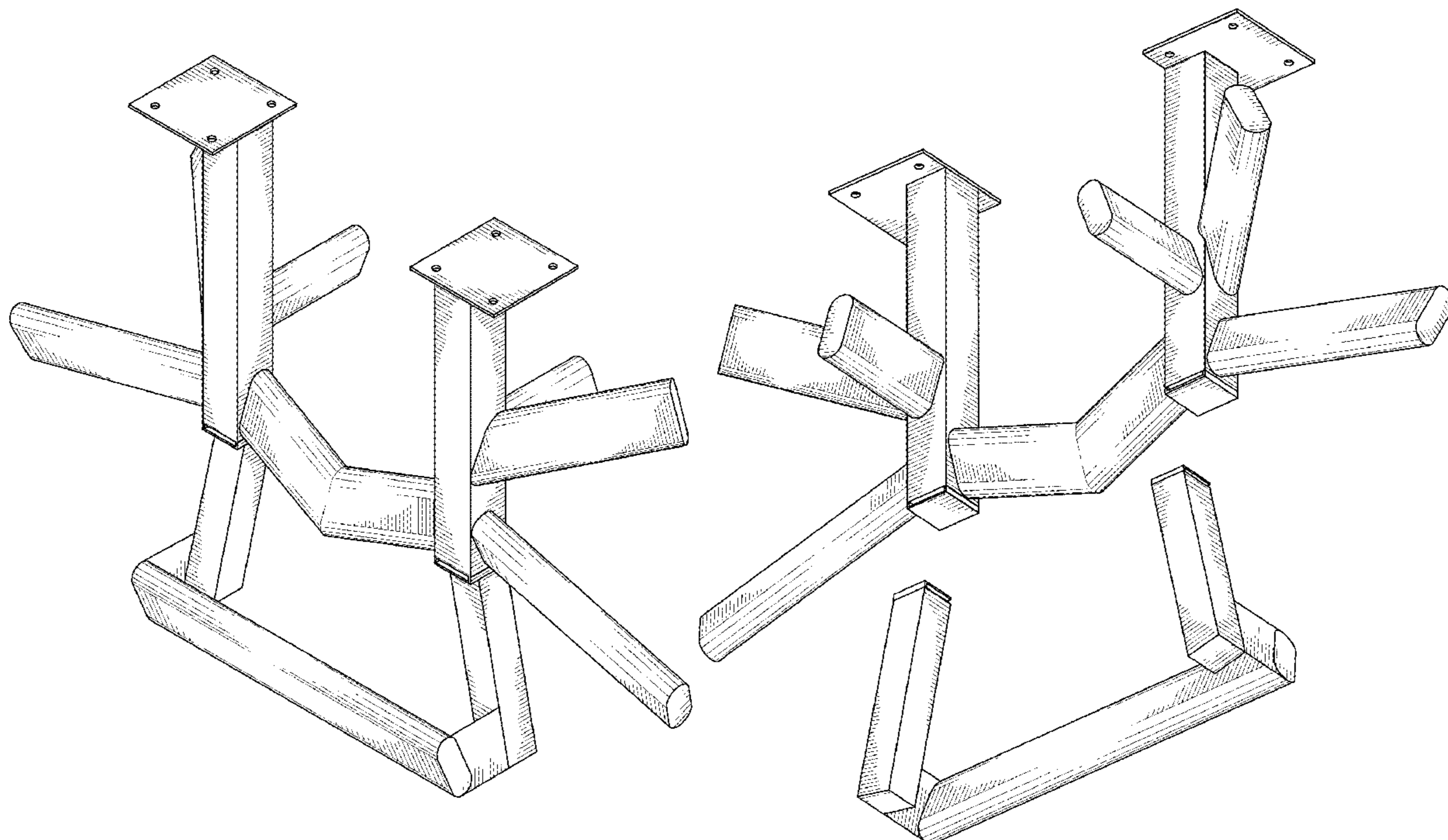
(57) **CLAIM**

The ornamental design for a pull-up/chin-up apparatus having multi-angled bar grips, as shown and described.

DESCRIPTION

FIG. 1 is a top perspective view of the new design for a pull-up/chin-up apparatus having multi-angled bar grips, attachable to a ceiling or other supporting structure, and the bar grips having an oval or elliptical cross-section;
 FIG. 2 is a bottom perspective view thereof;
 FIG. 3 is a front orthographic view thereof;
 FIG. 4 is a rear orthographic view thereof;
 FIG. 5 is a right side view thereof;
 FIG. 6 is a bottom plan view thereof;
 FIG. 7 is a top plan view thereof;
 FIG. 8 is an exploded view of FIG. 2, with the bottom section separated from the top section of the apparatus; and,
 FIG. 9 is a view of FIG. 3 with the bottom section of the apparatus removed.

1 Claim, 9 Drawing Sheets



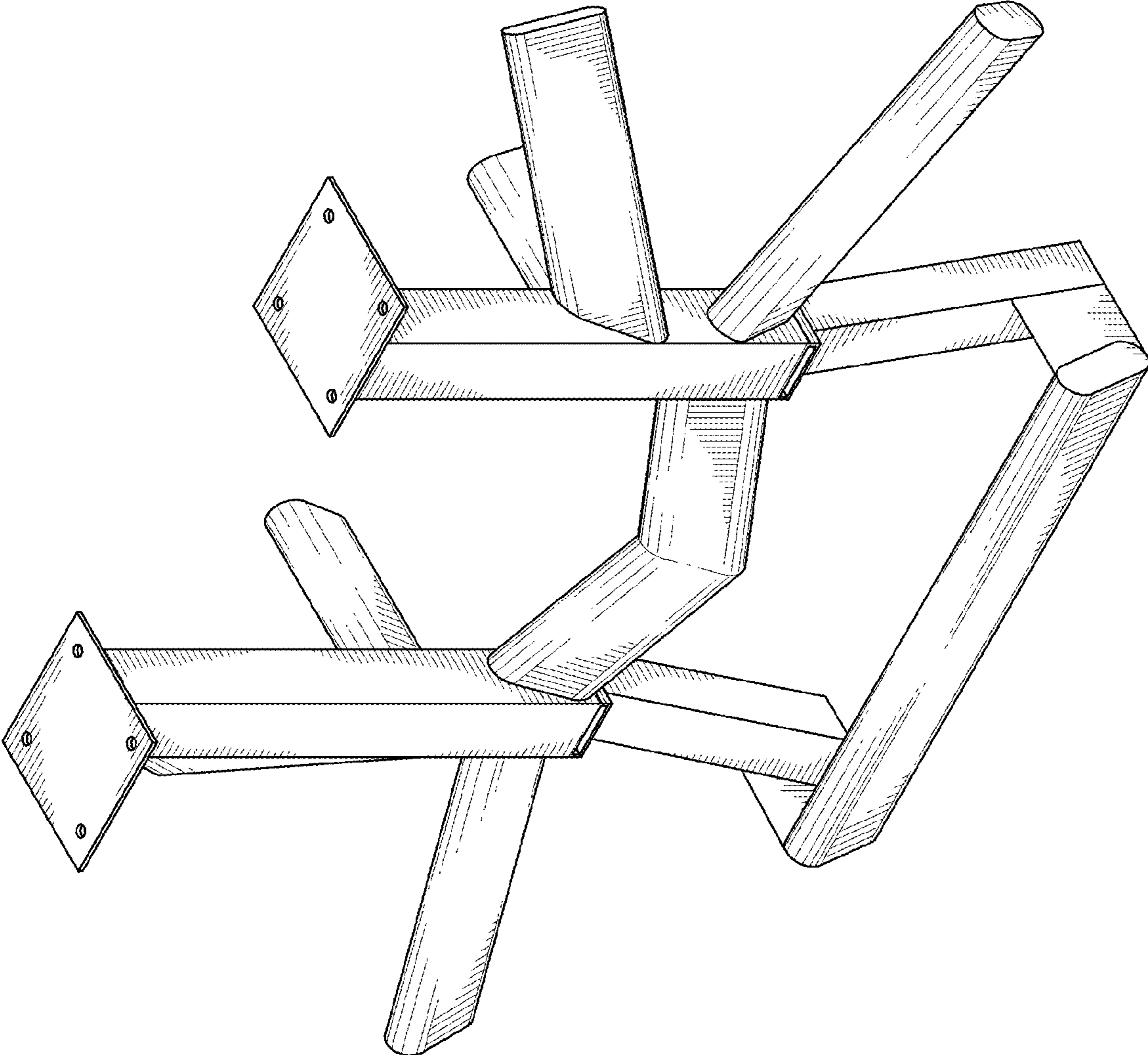


FIG. 1

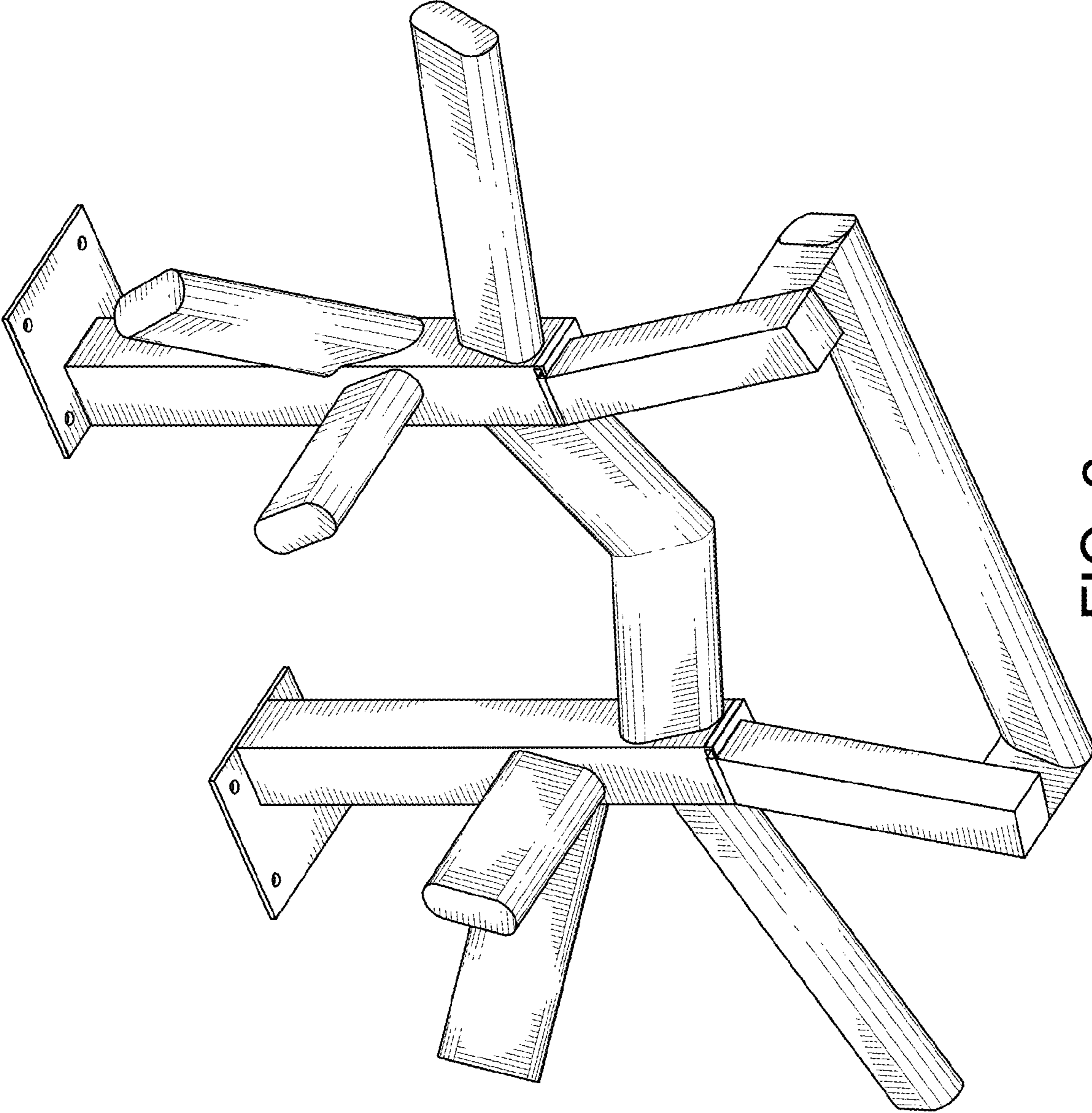


FIG. 2

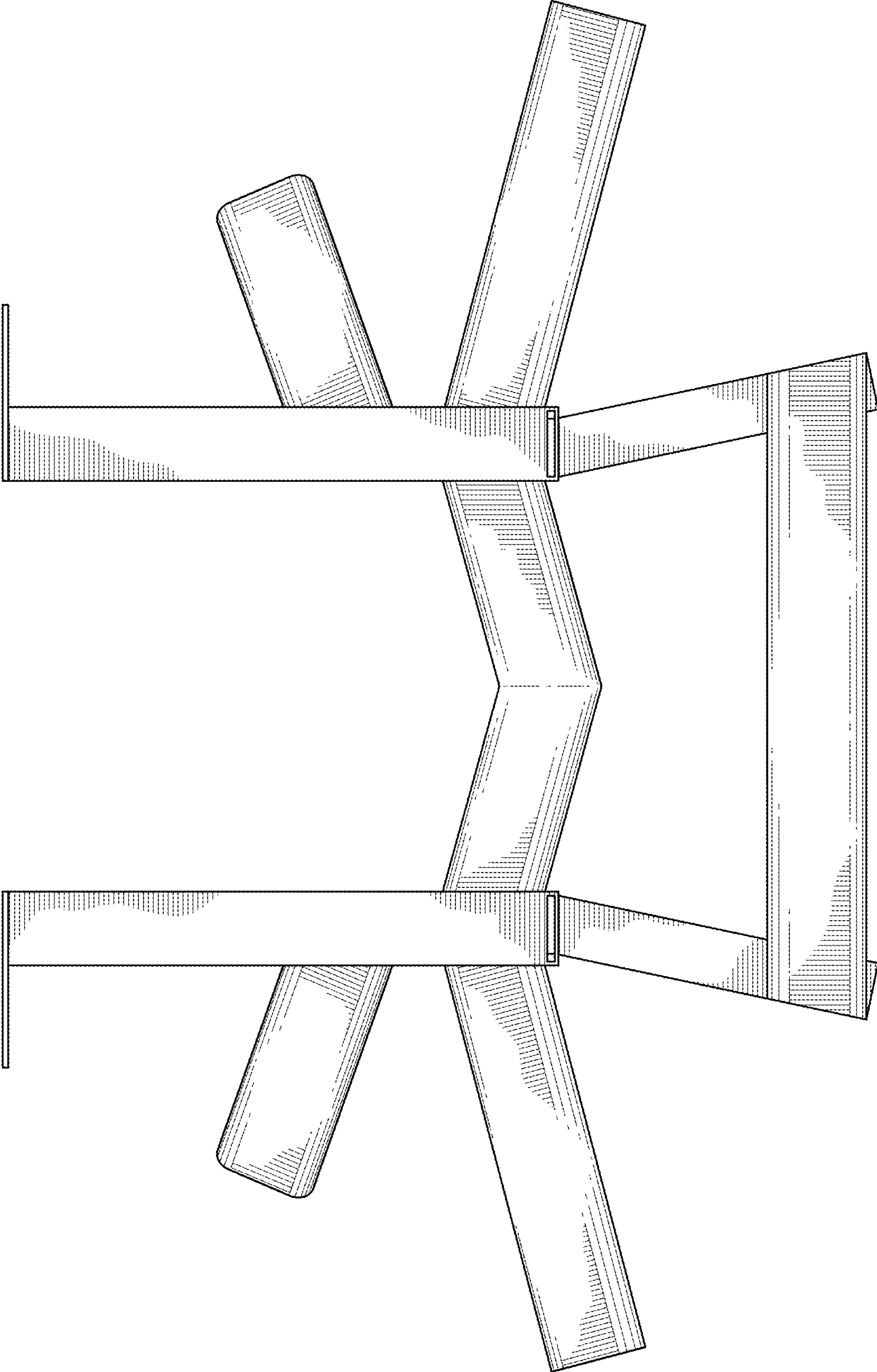


FIG. 3

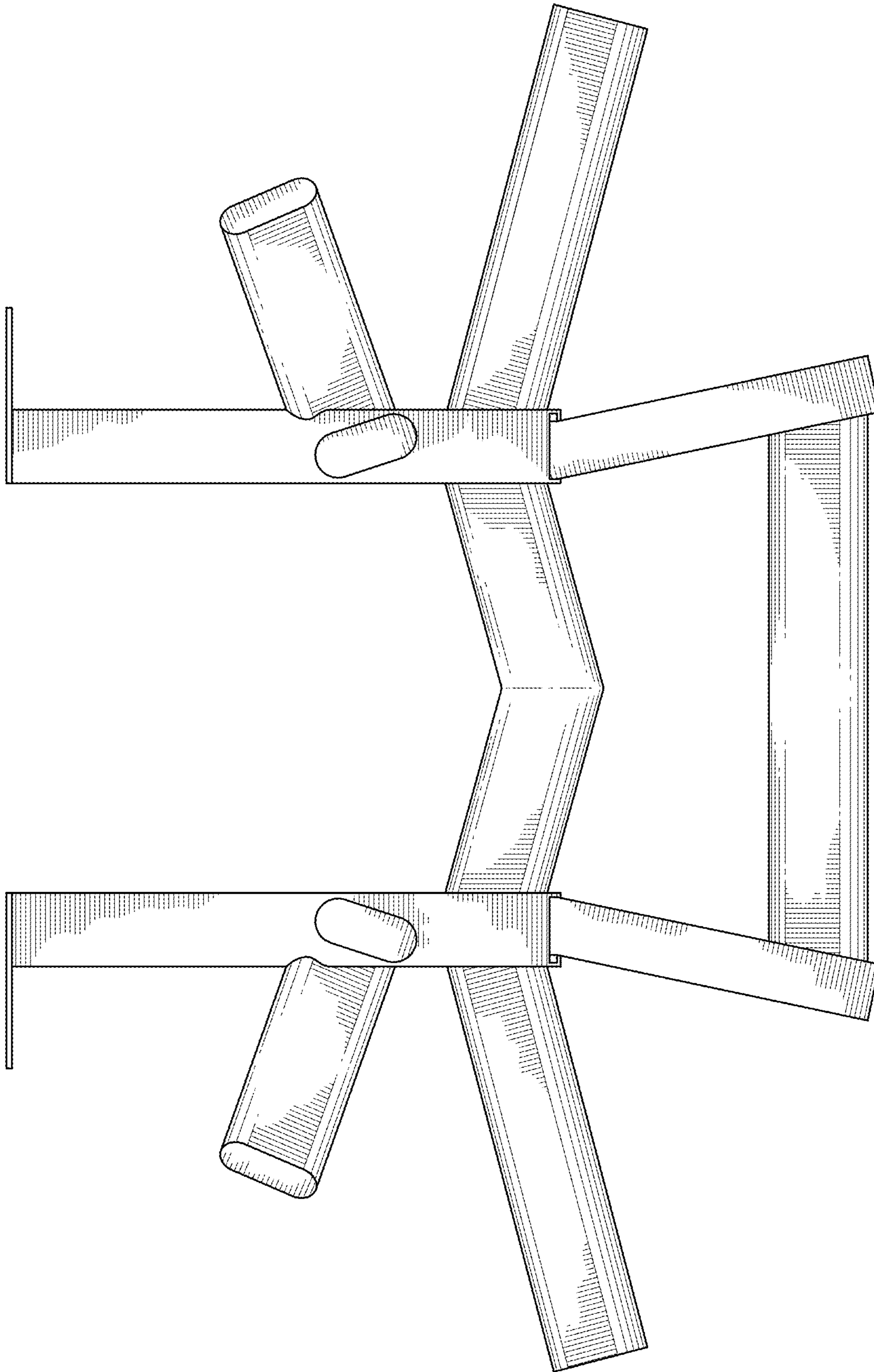


FIG. 4

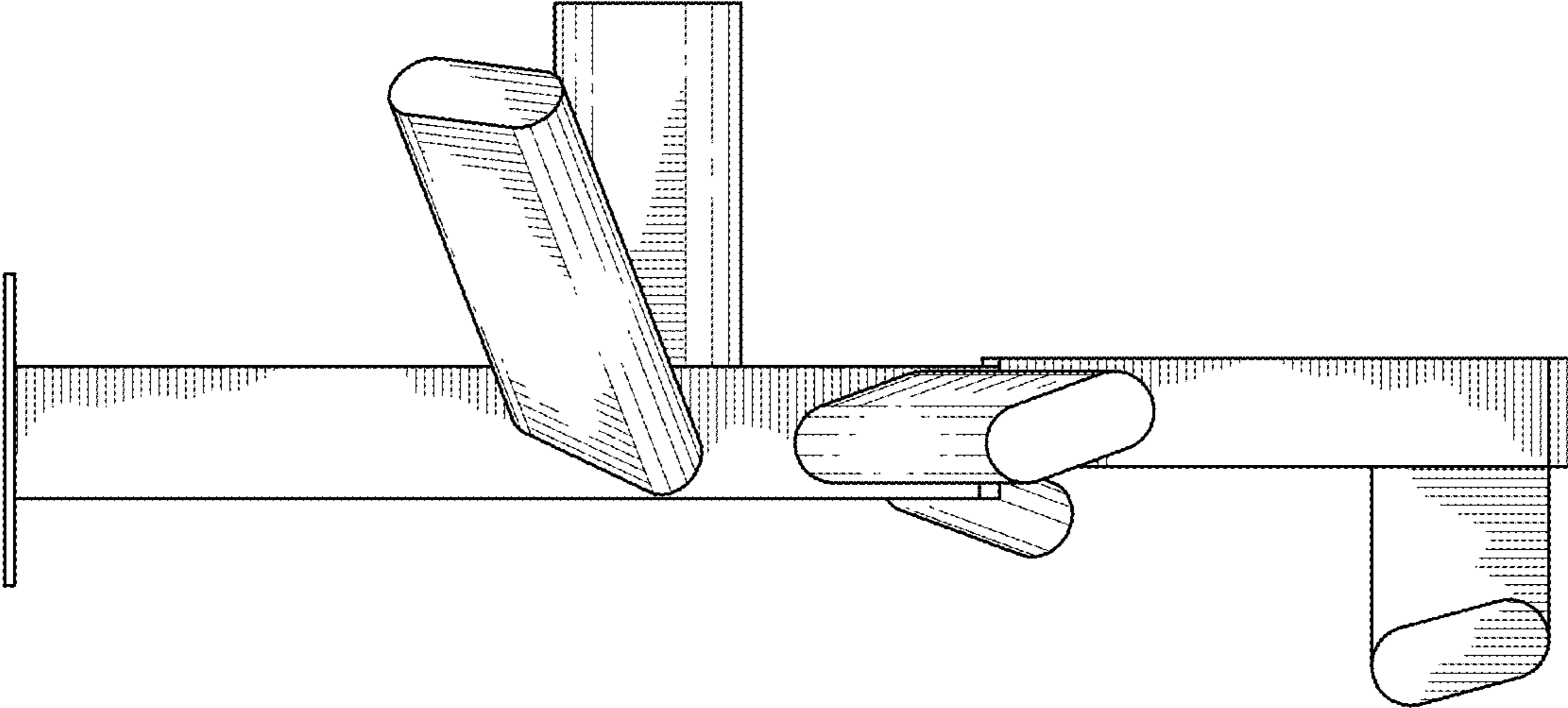


FIG. 5

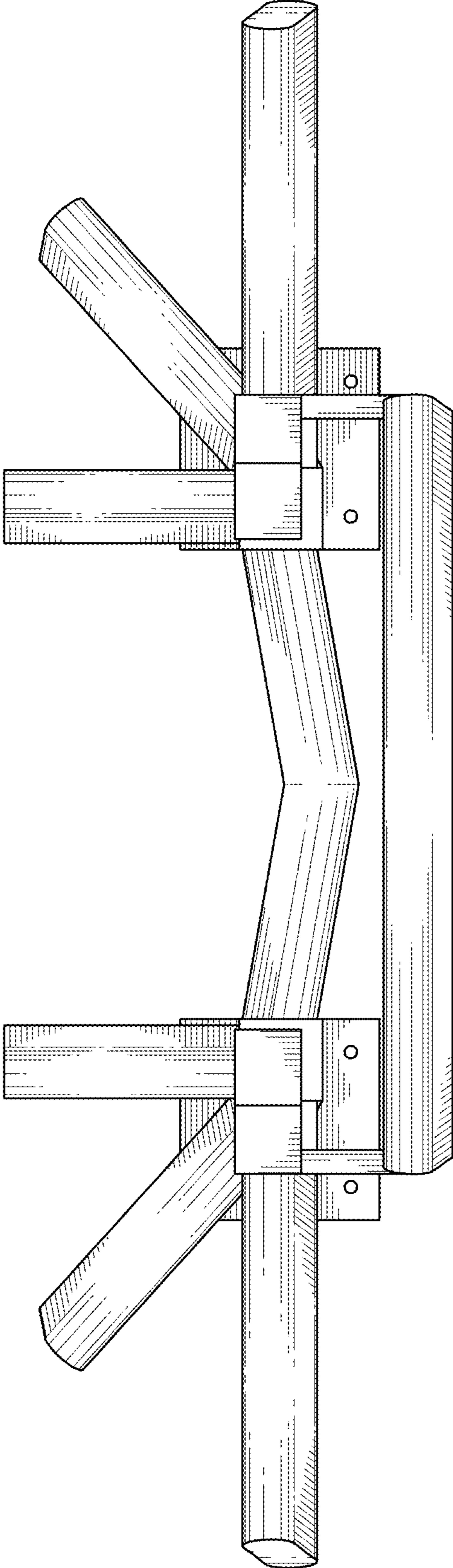


FIG. 6

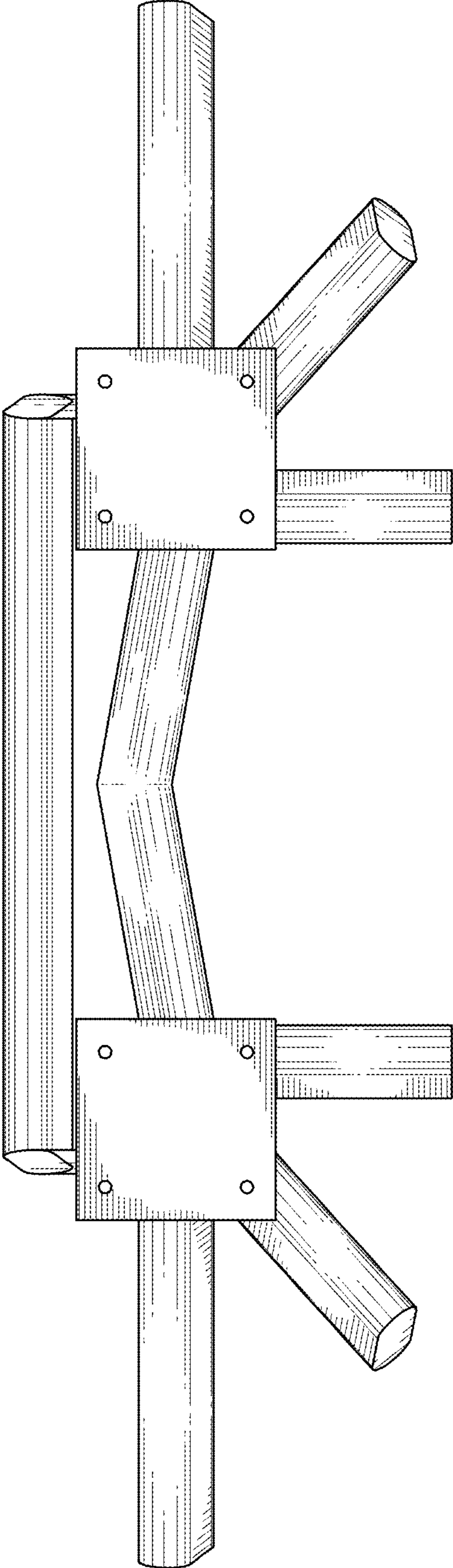


FIG. 7

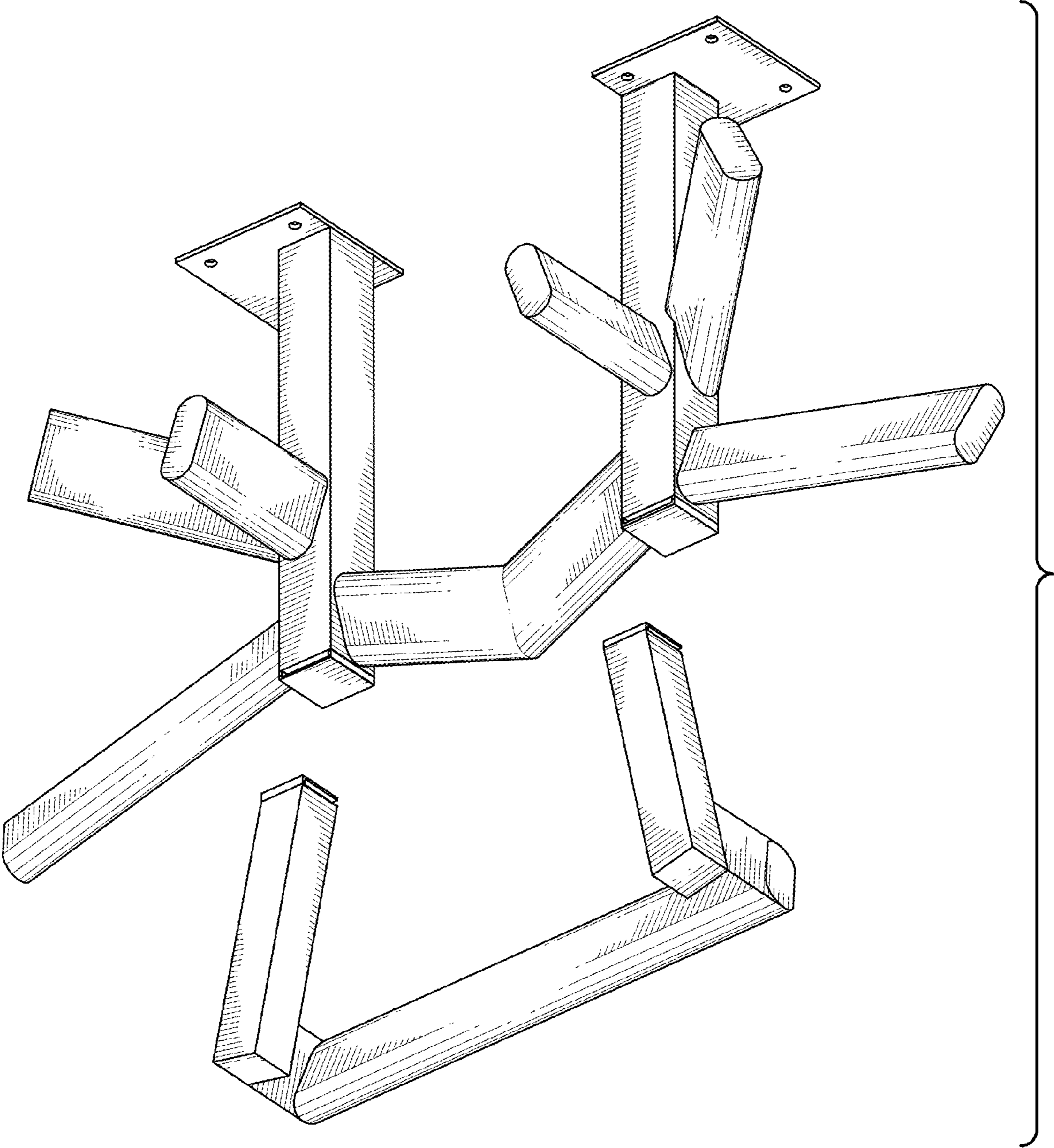


FIG. 8

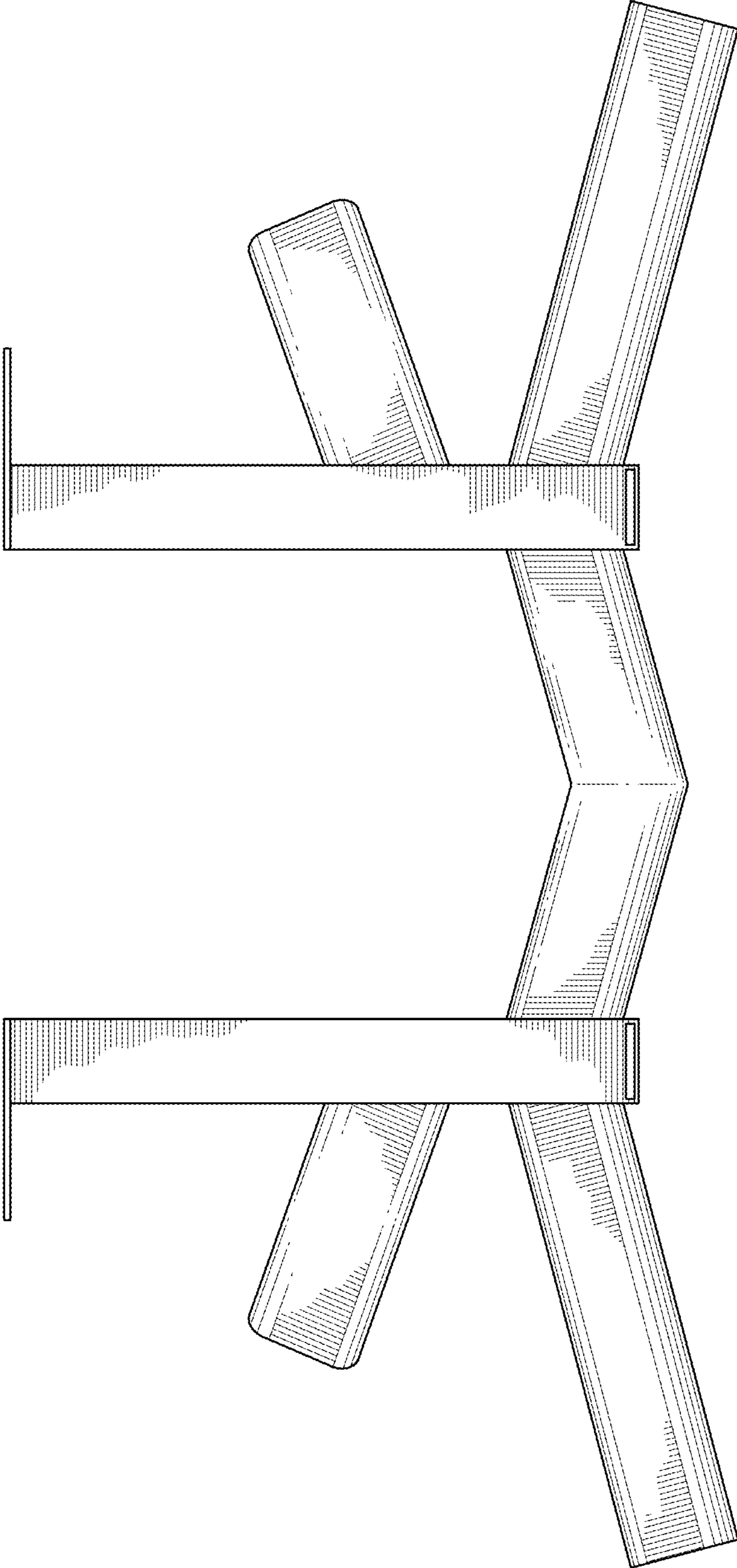


FIG. 9