



US00D953452S

(12) **United States Design Patent** (10) **Patent No.:** **US D953,452 S**
Smith et al. (45) **Date of Patent:** **** May 31, 2022**

(54) **REFORMER EXERCISE APPARATUS**

(71) Applicant: **Balanced Body, Inc.**, Sacramento, CA (US)

(72) Inventors: **Aaron Smith**, Burnley (AU); **Kit W. Spelman**, Sacramento, CA (US); **Harbir Singh**, Sacramento, CA (US)

(73) Assignee: **BALANCED BODY, INC.**, Sacramento, CA (US)

(**) Term: **15 Years**

(21) Appl. No.: **29/737,621**

(22) Filed: **Jun. 10, 2020**

(51) **LOC (13) Cl.** **21-02**

(52) **U.S. Cl.**

USPC **D21/686**

(58) **Field of Classification Search**

USPC D21/662, 671, 673, 674, 676, 686, 690, D21/691, 693, 694, 484, 485, 486, 489, D21/491, 500; D6/361, 368, 487, 549

See application file for complete search history.

(56) **References Cited**

U.S. PATENT DOCUMENTS

D256,707 S * 9/1980 MacLaren-Taylor 482/142
D382,319 S * 8/1997 Gerschefske D21/674

(Continued)

FOREIGN PATENT DOCUMENTS

AU 201915640 1/2020

OTHER PUBLICATIONS

Balanced body store, announced 2012[online], [site visited Apr. 6, 2022]. Available on internet, URL: <https://www.amazon.com/balanced-body-Replacement-Protective-Equipment/dp/B008Z4DMB2/ref> (Year: 2012).*

(Continued)

Primary Examiner — Khawaja Anwar

Assistant Examiner — Julice Seung Eun Oum

(74) *Attorney, Agent, or Firm* — Greenberg Traurig, LLP

(57) **CLAIM**

The ornamental design for a reformer exercise apparatus, as shown and described.

DESCRIPTION

FIG. 1 is an upper perspective view of our new reformer exercise apparatus design. The broken lines show portions illustrating environmental structure of the reformer that form no part of the claimed design.

FIG. 2 is a head end elevational view of our new reformer exercise apparatus design. The broken lines show portions illustrating environmental structure of the reformer that form no part of the claimed design.

FIG. 3 is a rear end elevational view of the reformer exercise apparatus shown in FIG. 1. The broken lines show portions illustrating environmental structure of the reformer that form no part of the claimed design.

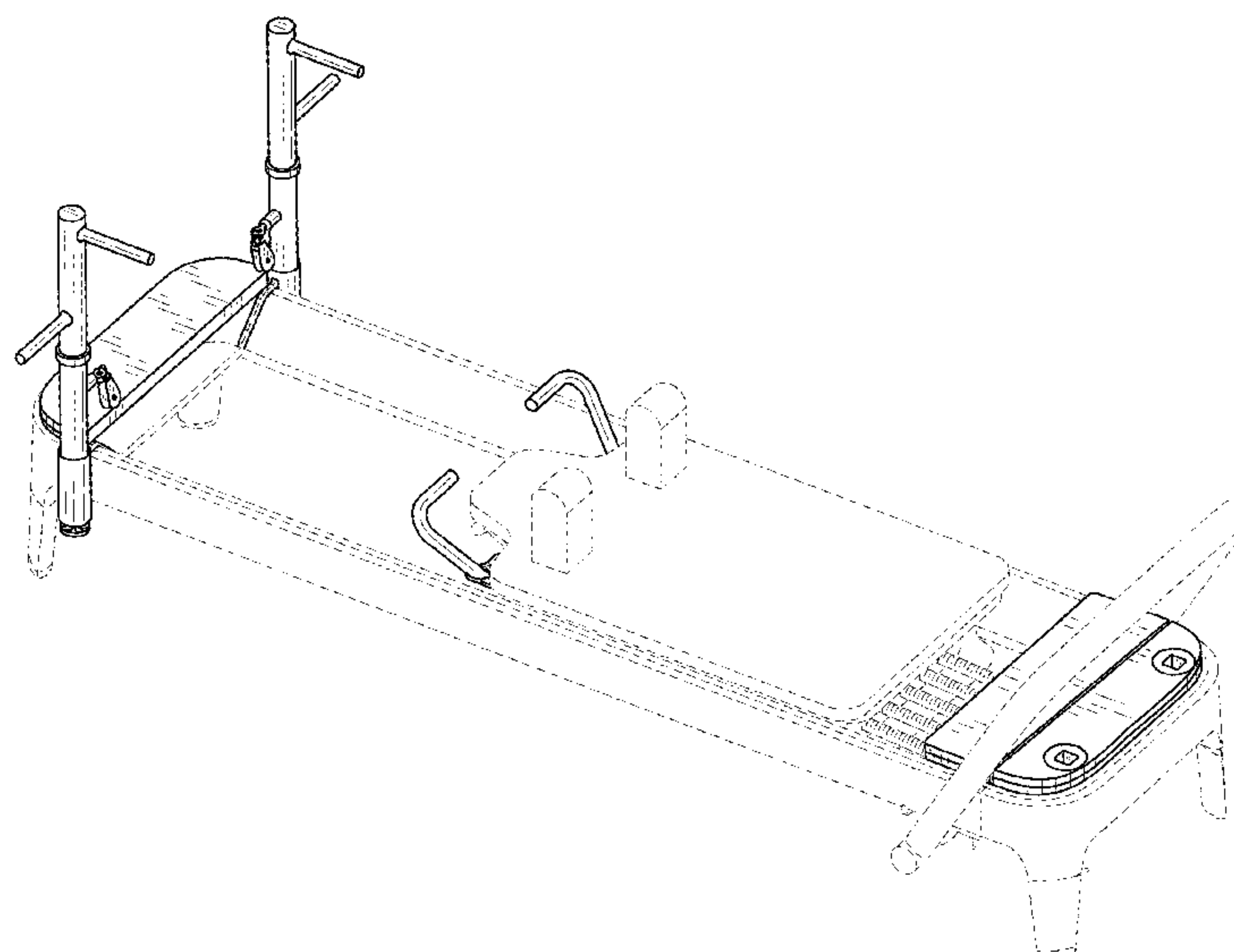
FIG. 4 is a right side elevational view of the reformer exercise apparatus shown in FIG. 1. The broken lines show portions illustrating environmental structure of the reformer that form no part of the claimed design.

FIG. 5 is a left side elevational view of the reformer exercise apparatus shown in FIG. 1. The broken lines show portions illustrating environmental structure of the reformer that form no part of the claimed design.

FIG. 6 is a top plan view of the reformer exercise apparatus shown in FIG. 1. The broken lines show portions illustrating environmental structure of the reformer that form no part of the claimed design; and,

FIG. 7 is a bottom plan view of the reformer exercise apparatus shown in FIG. 1. The broken lines show portions illustrating environmental structure of the reformer that form no part of the claimed design.

1 Claim, 7 Drawing Sheets



(56)

References Cited

U.S. PATENT DOCUMENTS

D556,274 S * 11/2007 Morgan D21/673
7,803,095 B1 * 9/2010 LaGree A63B 22/0089
482/121
D659,205 S * 5/2012 Endelman D21/673
D659,206 S * 5/2012 Oberwelz D21/673
8,506,462 B2 * 8/2013 Gregor A63B 21/4035
482/121
D703,279 S * 4/2014 Ho D21/673
8,721,511 B2 * 5/2014 Endelman A63B 21/068
482/121
10,518,125 B2 * 12/2019 Janowski A63B 21/153
10,881,896 B2 * 1/2021 Lagree A63B 22/0087
2006/0199712 A1 * 9/2006 Barnard A63B 22/203
482/142
2021/0244993 A1 * 8/2021 Singer A63B 22/0087

OTHER PUBLICATIONS

AeroPilates, announced 2008[online], [site visited Apr. 6, 2022]. Available on internet, URL:<https://www.amazon.com/AeroPilates-Stamina-Premier-Cardio-Rebounder/dp/B001EV6JKO/ref> (Year: 2008).*

Pilates Power Gym Store, announced 2013[online], [site visited Apr. 6, 2022]. Available on internet, URL:<https://www.amazon.com/Pilates-Power-Gym-Package-Rebounder/dp/B00CBWSZK2/ref> (Year: 2013).*

* cited by examiner

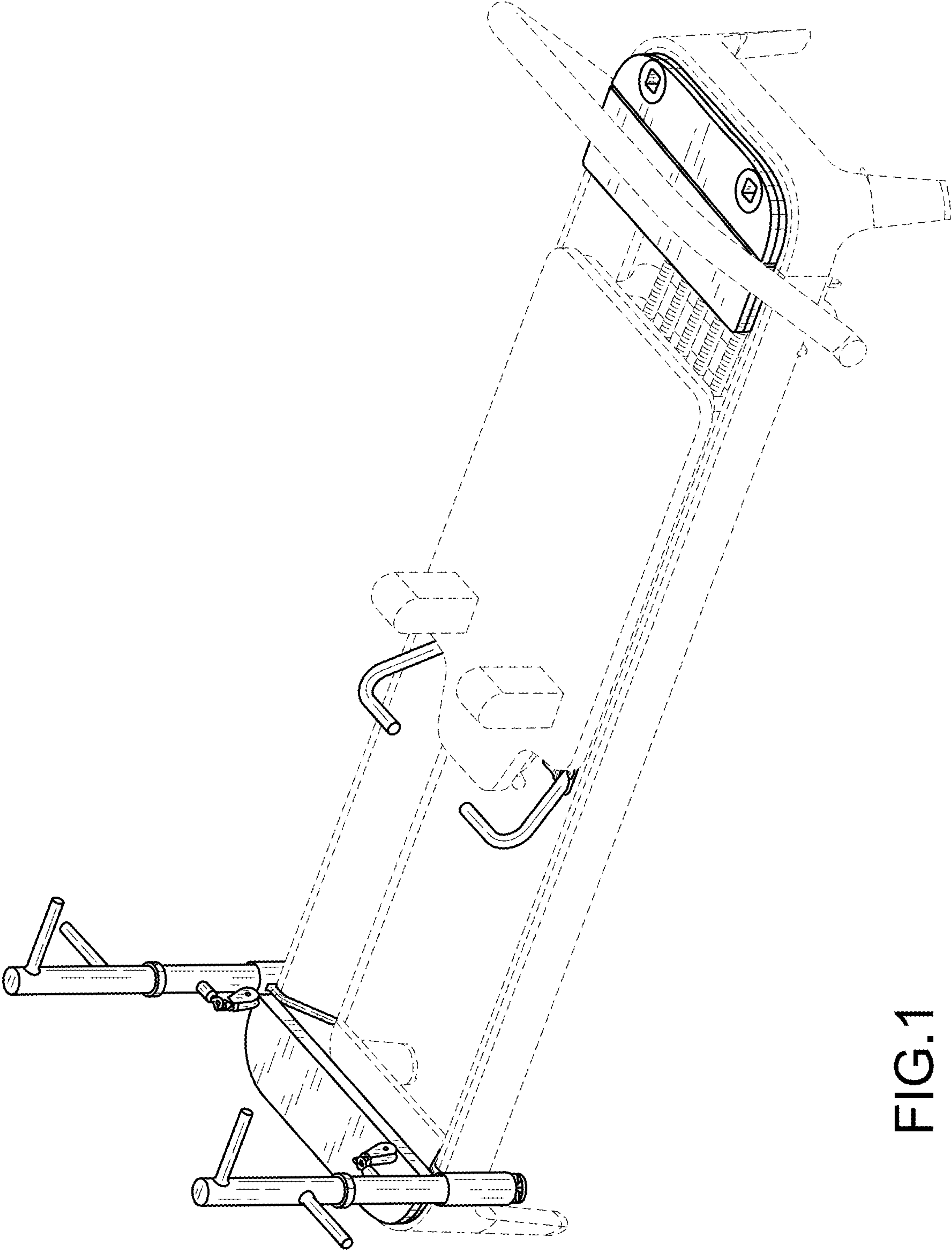


FIG. 1

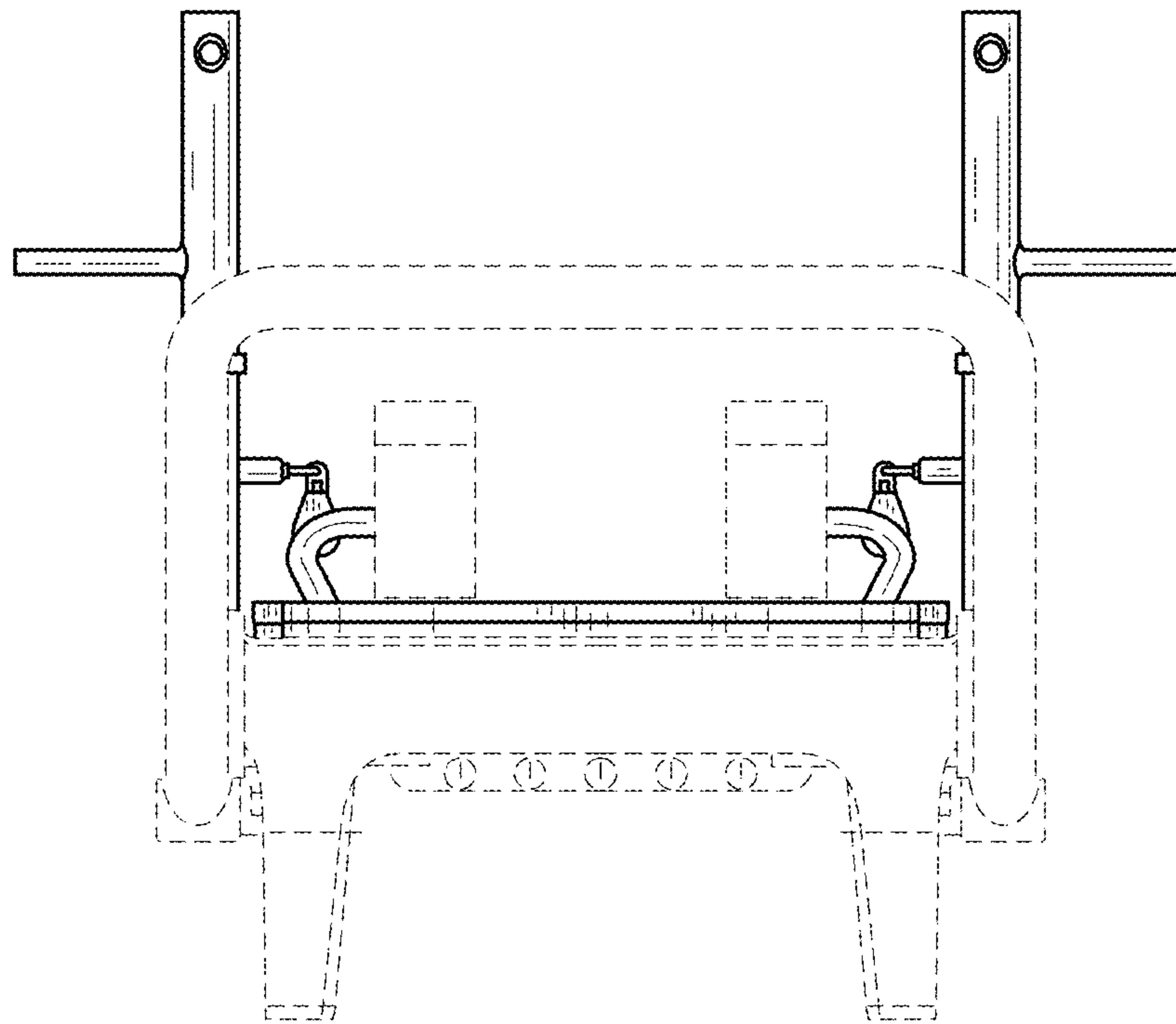


FIG.2

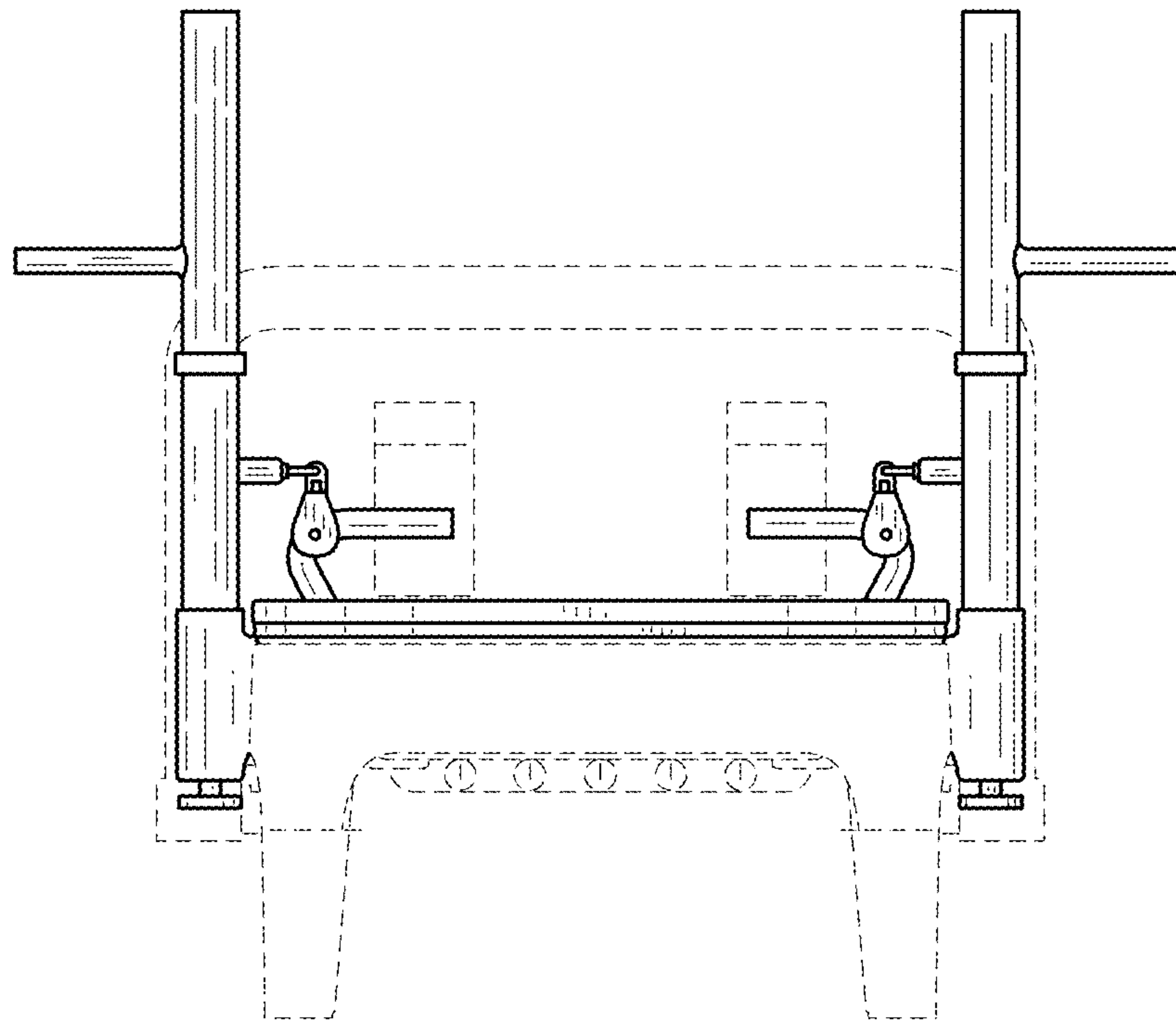


FIG.3

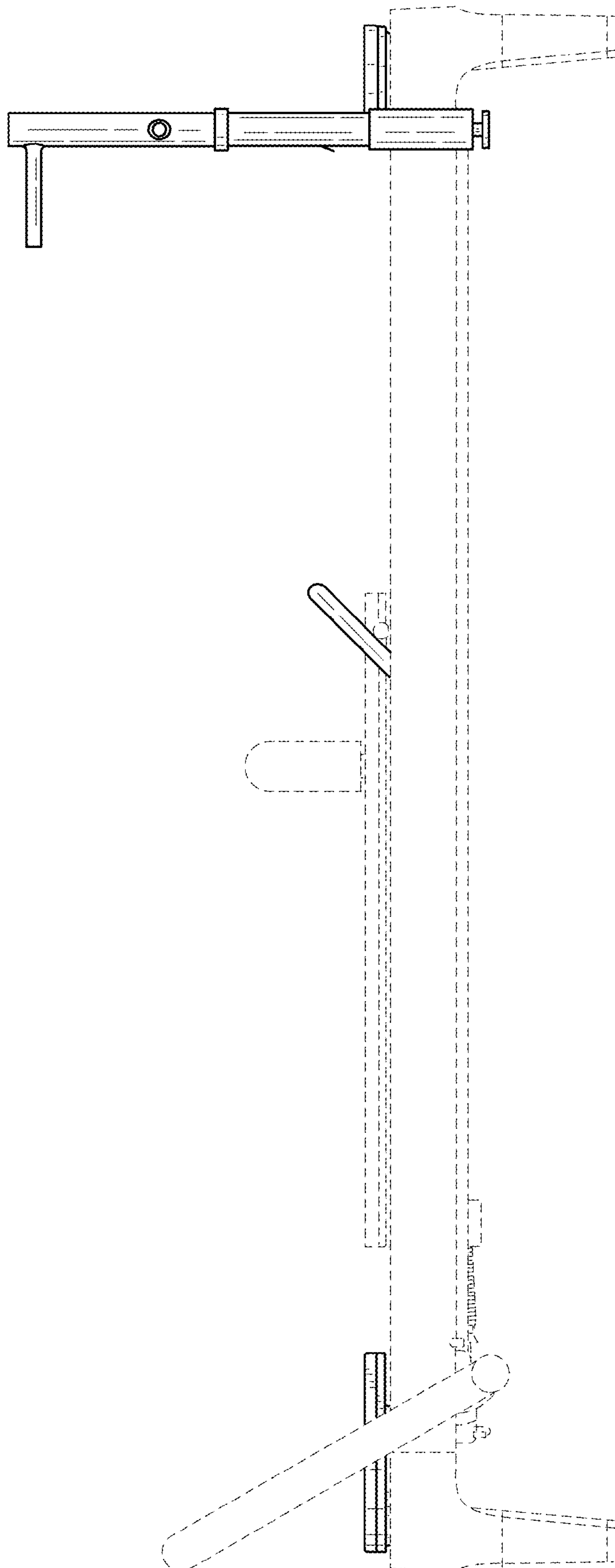


FIG.4

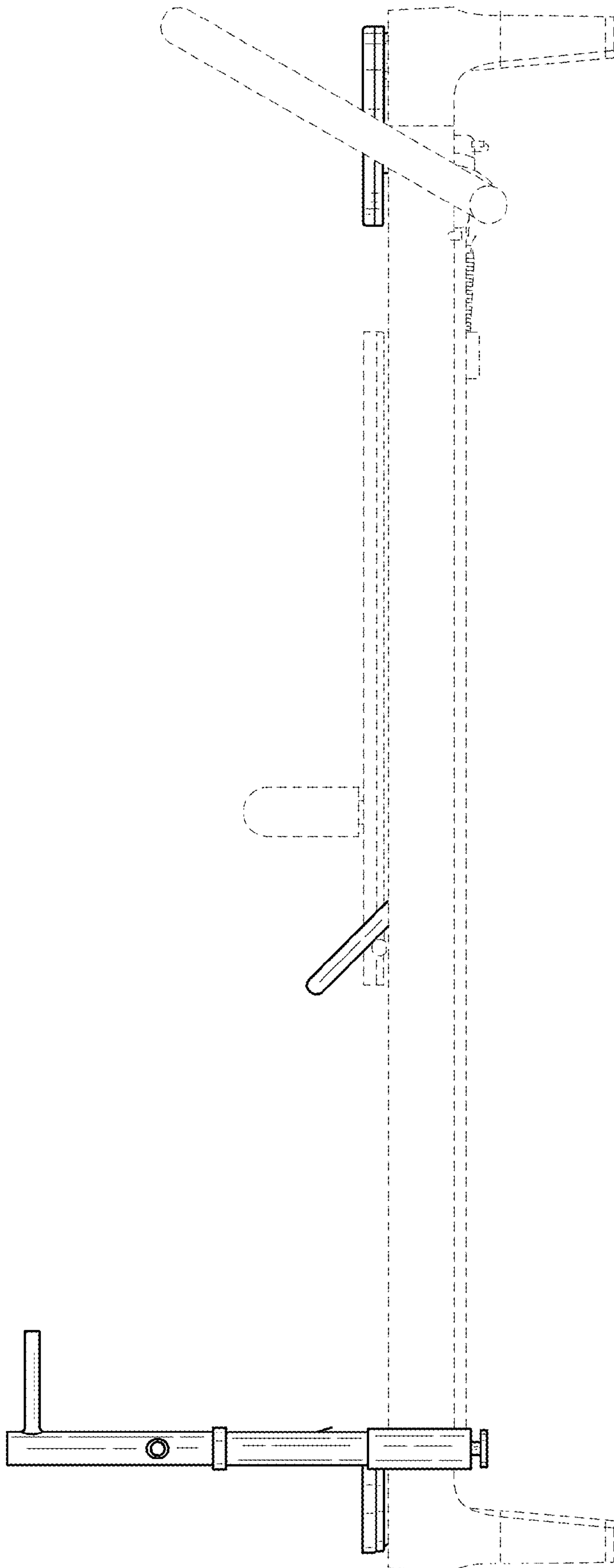


FIG. 5

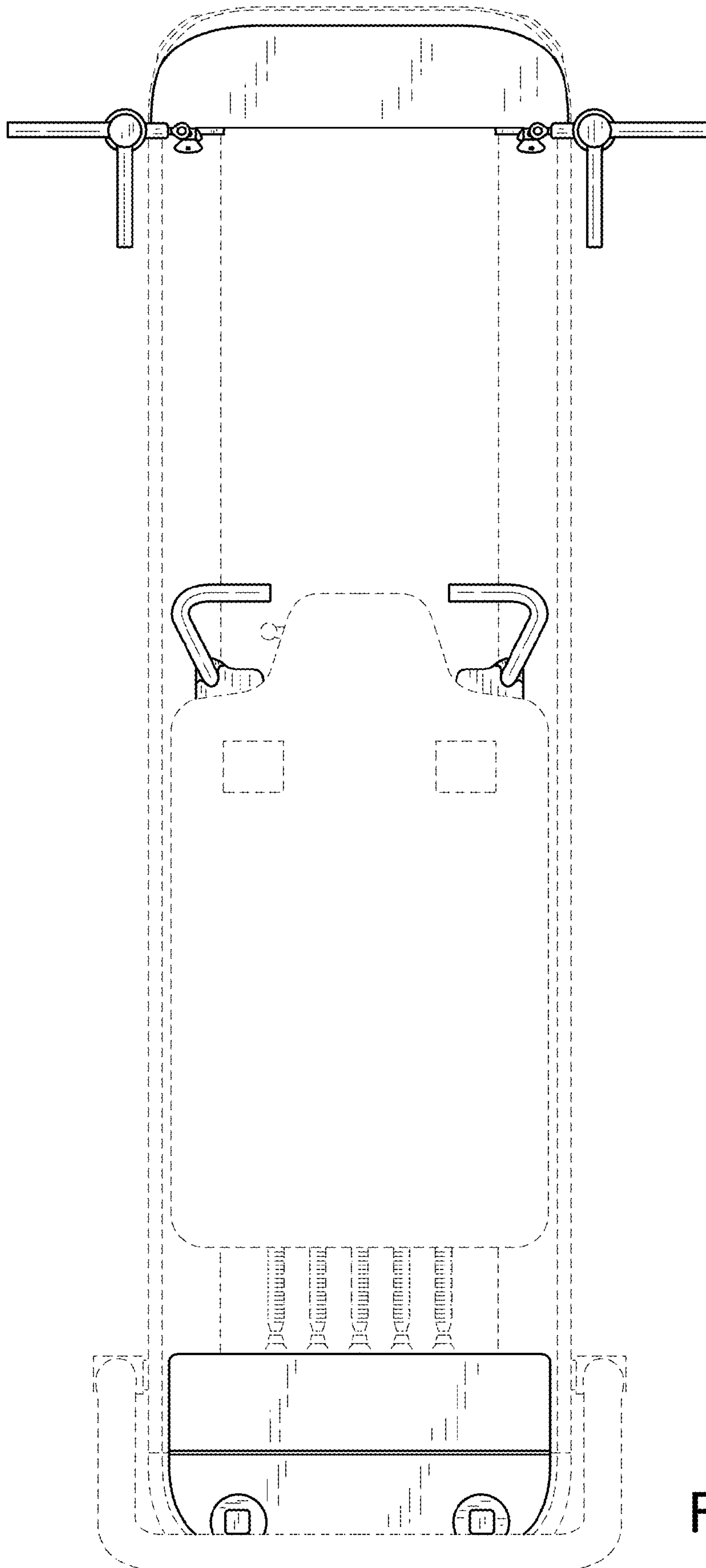


FIG.6

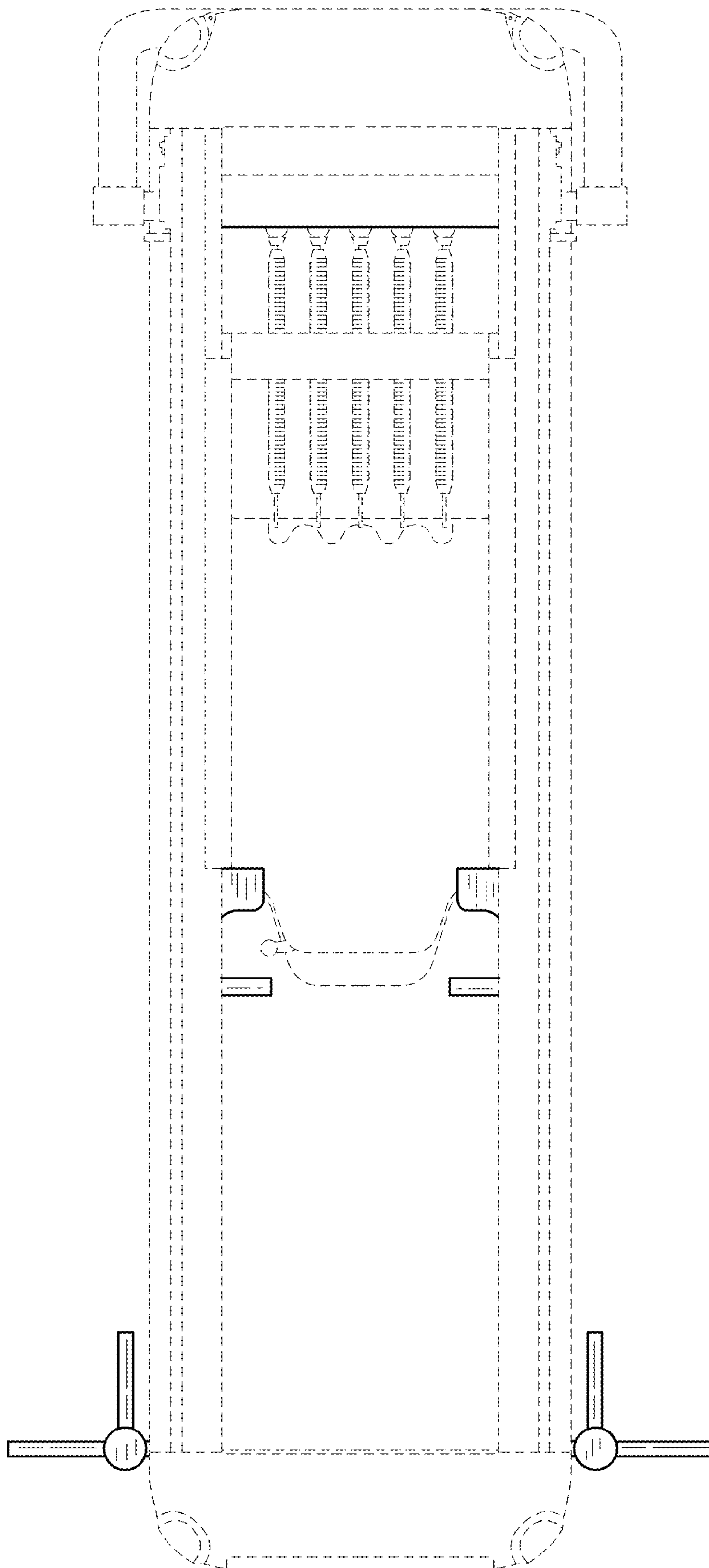


FIG. 7