



US00D953451S

(12) **United States Design Patent** (10) **Patent No.:** **US D953,451 S**
Foltz (45) **Date of Patent:** **** May 31, 2022**

(54) **SQUAT AND BENCH PRESS BAR**
(71) Applicant: **Kyle Foltz**, Seabright, NJ (US)
(72) Inventor: **Kyle Foltz**, Seabright, NJ (US)
(**) Term: **15 Years**
(21) Appl. No.: **29/758,761**

D845,404 S 4/2019 Kuka
10,357,675 B1 * 7/2019 Katz F16B 19/109
10,583,317 B2 3/2020 Amyan
(Continued)

FOREIGN PATENT DOCUMENTS

KR 3009897960002 * 5/2018

OTHER PUBLICATIONS

5Billion fitness store, announced 2019[online], [site visited Oct. 29, 2021]. Available on internet, URL:https://www.amazon.com/dp/B07XJW1XSK/ref=sspa_dk_detail_(Year: 2019).*

(Continued)

(22) Filed: **Nov. 18, 2020**
(51) **LOC (13) Cl.** **21-02**
(52) **U.S. Cl.**
USPC **D21/679**
(58) **Field of Classification Search**
USPC D21/662, 686, 677, 679, 692, 694, 703,
D21/715, 765, 756, 691, 82, 797, 796
See application file for complete search history.

Primary Examiner — Khawaja Anwar
Assistant Examiner — Julice Seung Eun Oum
(74) *Attorney, Agent, or Firm* — Goldstein Law Offices,
P.C.

(56) **References Cited**

U.S. PATENT DOCUMENTS

4,360,198 A 11/1982 Waulters
5,257,964 A 11/1993 Petters
5,468,203 A * 11/1995 Okonkwo A63B 21/078
248/125.2
D371,586 S 7/1996 Snyder
D381,715 S * 7/1997 Reeder D21/691
5,836,858 A 11/1998 Sharff
5,984,843 A * 11/1999 Morton A63B 21/0724
482/104
7,056,268 B2 6/2006 Emick
D623,707 S * 9/2010 Ritchie D21/679
7,963,891 B1 6/2011 Zeaman
D667,904 S 9/2012 DeFrancisci
D685,865 S * 7/2013 Kuhn D21/679
D710,956 S 8/2014 Hetrick et al.
D725,722 S * 3/2015 Conaway D21/679
9,504,869 B2 11/2016 Gavigan
9,808,662 B1 * 11/2017 File A63B 5/02

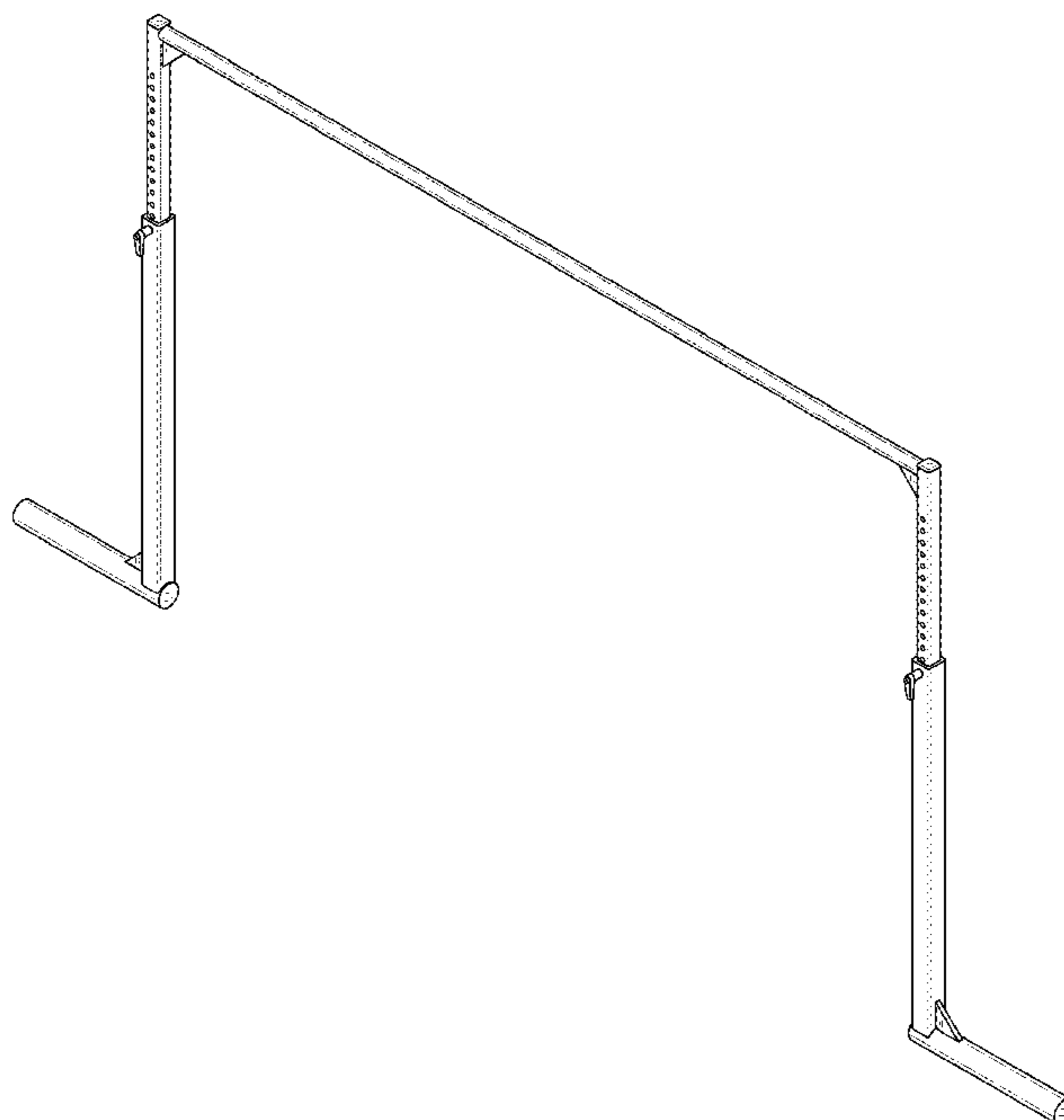
(57) **CLAIM**

The ornamental design for a squat and bench press bar, as shown and described.

DESCRIPTION

FIG. 1 is a perspective view of the squat and bench press bar. FIG. 2 is a top plan view of the squat and bench press bar. FIG. 3 is a bottom plan view thereof. FIG. 4 is a front elevational view thereof. FIG. 5 is a rear elevational view thereof. FIG. 6 is a left side elevational view thereof. FIG. 7 is a right side elevational view thereof; and, FIG. 8 is a second perspective view of the squat and bench press bar shown with environment. The broken lines showing in FIG. 8 are for the purpose of illustrating the environment of the article only and form no part of the claimed design.

1 Claim, 5 Drawing Sheets



(56)

References Cited

U.S. PATENT DOCUMENTS

2005/0209054 A1* 9/2005 Thomas Lebert A63B 1/00
482/41
2006/0100075 A1* 5/2006 Harsh A63B 21/0783
482/142
2017/0120099 A1* 5/2017 Biddix, Jr. A63B 21/068
2017/0216653 A1 8/2017 Parr
2018/0071563 A1 3/2018 Swinehart
2019/0046835 A1* 2/2019 Henniger A63B 21/068
2020/0023225 A1 1/2020 Sands
2022/0008784 A1* 1/2022 Henniger A63B 21/068

OTHER PUBLICATIONS

Prosource fit store, announced 2018[online], [site visited Oct. 29, 2021]. Available on internet, URL:https://www.amazon.com/dp/B07BHWFH1W/ref=sspa_dk_detail_ (Year: 2018).*

Ader sporting goods, announced 2015[online], [site visited Oct. 29, 2021]. Available on internet, URL:<https://www.amazon.com/Ader-Olympic-Cambered-Chrome-Sleeve/dp/B0127SRFPK/ref> (Year: 2015).*

Popsport, announced 2018[online], [site visited Oct. 29, 2021], Available on internet, URL:<https://www.amazon.com/Popsport-Olympic-Fitness-Attachment-Shoulder/dp/B07GN8WQTF/ref> (Year: 2018).*

* cited by examiner

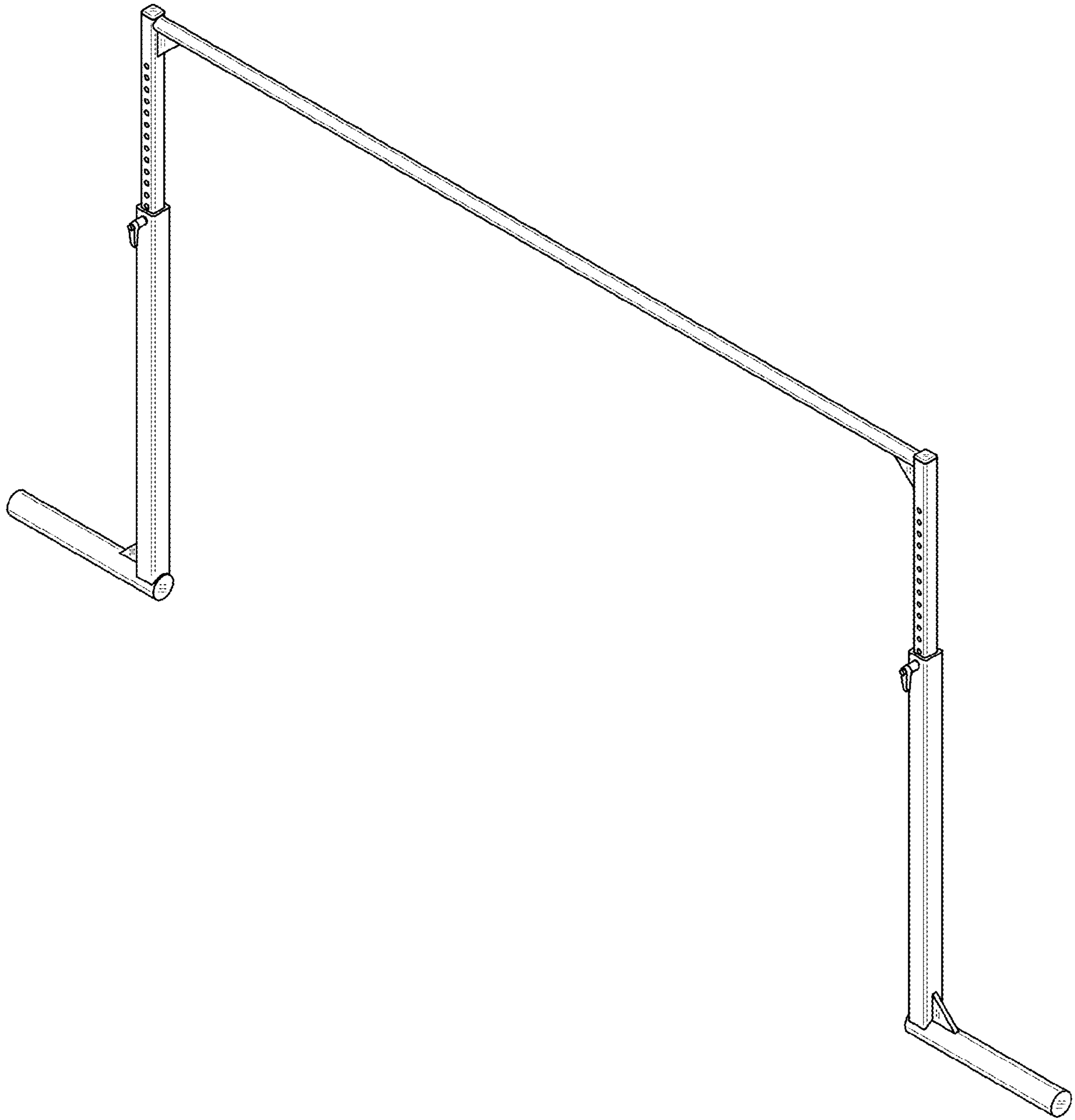


FIG. 1

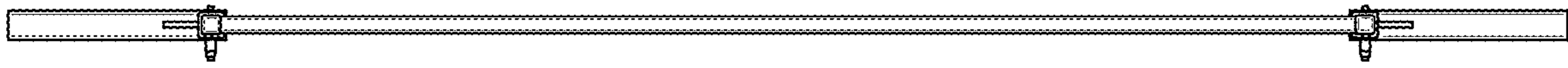


FIG. 2

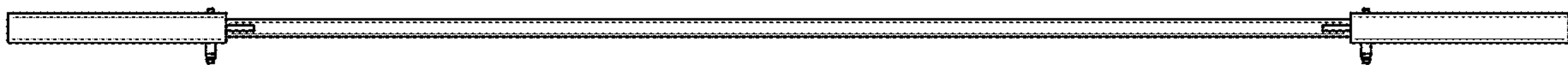


FIG. 3



FIG. 4



FIG. 5

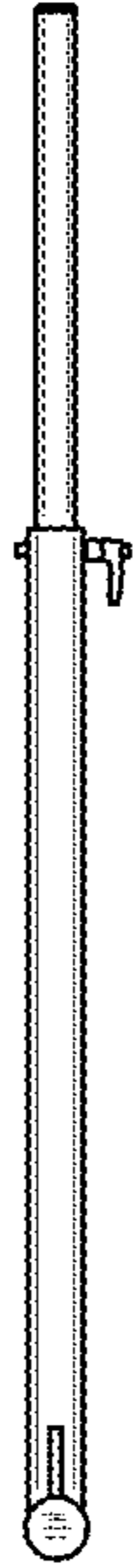


FIG. 6

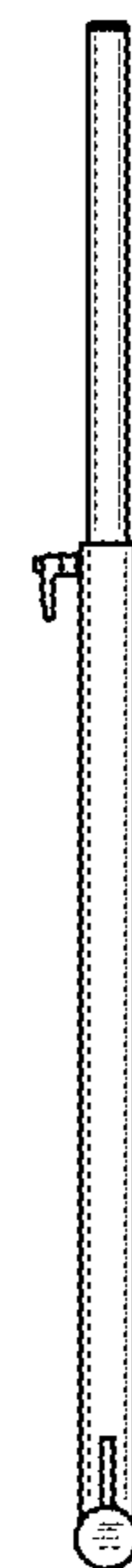


FIG. 7

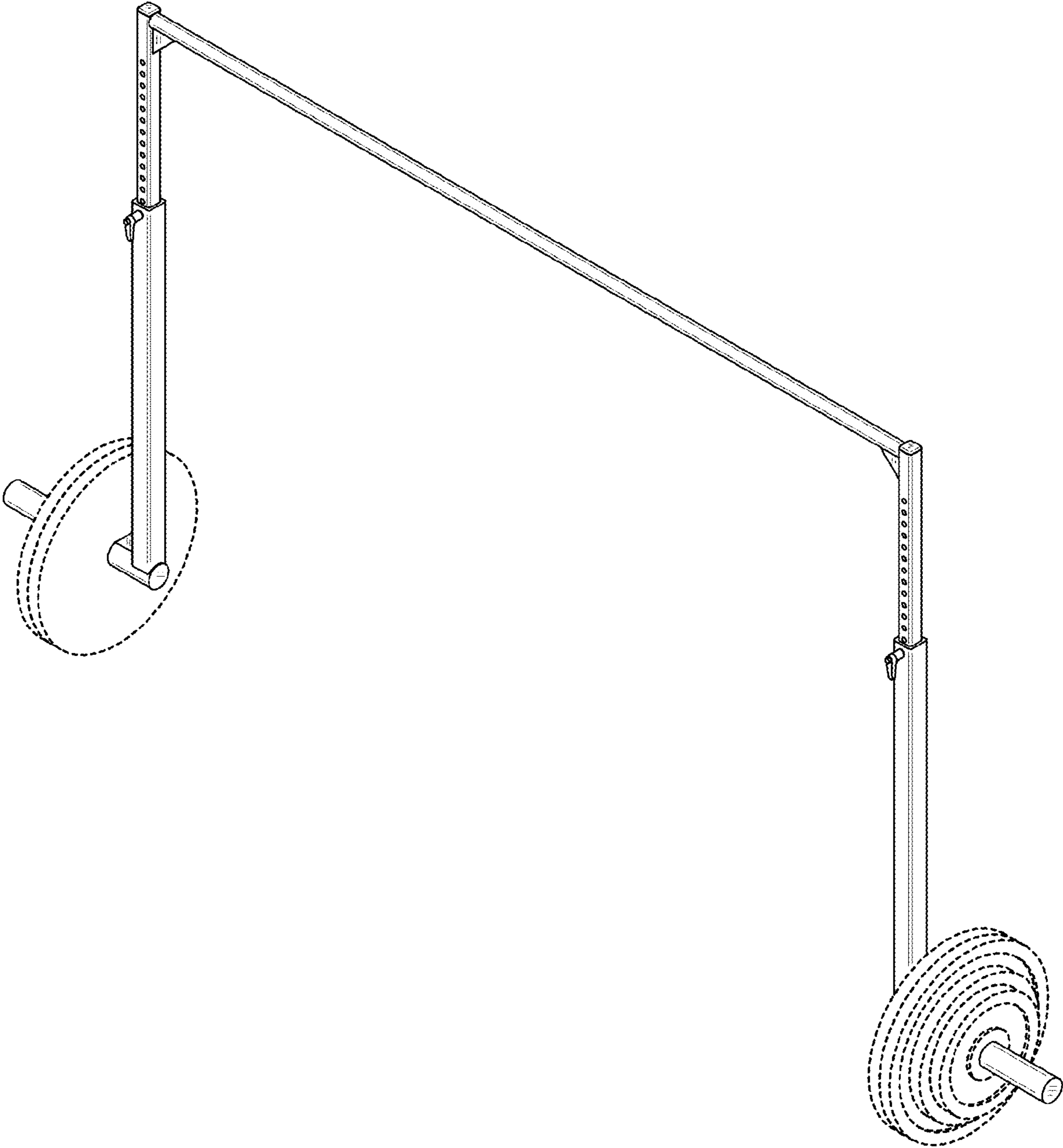


FIG. 8