



US00D953450S

(12) **United States Design Patent** (10) **Patent No.:** **US D953,450 S**
Pan (45) **Date of Patent:** **** May 31, 2022**

(54) **WALL MOUNTED ARM AND PULL UP EXERCISER**

(71) Applicant: **Yiwu Chaochen Sporting Goods Co., Ltd.**, Zhejiang (CN)

(72) Inventor: **Wenjin Pan**, Zhejiang (CN)

(73) Assignee: **Yiwu Chaochen Sporting Goods Co., Ltd.**, Zhejiang (CN)

(**) Term: **15 Years**

(21) Appl. No.: **29/797,196**

(22) Filed: **Jun. 29, 2021**

(51) **LOC (13) Cl.** **21-02**

(52) **U.S. Cl.**
USPC **D21/673**

(58) **Field of Classification Search**
USPC D21/673, 675, 686, 662, 665, 677, 679,
D21/980, 681, 694
See application file for complete search history.

(56) **References Cited**

U.S. PATENT DOCUMENTS

D256,822	S	9/1980	Ozzimo	
D308,559	S	6/1990	Beck	
D912,169	S	* 3/2021	Xu D21/677
2019/0321709	A1	* 10/2019	Downey A63B 21/063
2020/0222745	A1	* 7/2020	Leipheimer A63B 21/4034
2020/0391069	A1	* 12/2020	Olson A63B 21/4035
2021/0220691	A1	* 7/2021	Ivanov A63B 21/0615
2021/0283455	A1	* 9/2021	Robinson A63B 21/4047
2022/0072361	A1	* 3/2022	Henniger A63B 21/4029

OTHER PUBLICATIONS

Tower 200, announced 2020, [online], [site visited Apr. 4, 2022], Available on internet, URL:https://www.amazon.com/Tower-200-

Complete-Exercise-Strength/dp/B08BXJWRRT/ref (Year: 2020).*
Best choice products store, announced 2019[online], [site visited Apr. 4, 2022], Available on internet, URL:https://www.amazon.com/Best-Choice-Products-Wall-Mounted-Capacity/dp/B085VR5LQV/ref (Year: 2019).*

* cited by examiner

Primary Examiner — Khawaja Anwar
Assistant Examiner — Julice Seung Eun Oum
(74) *Attorney, Agent, or Firm* — ScienBiziP, P.C.

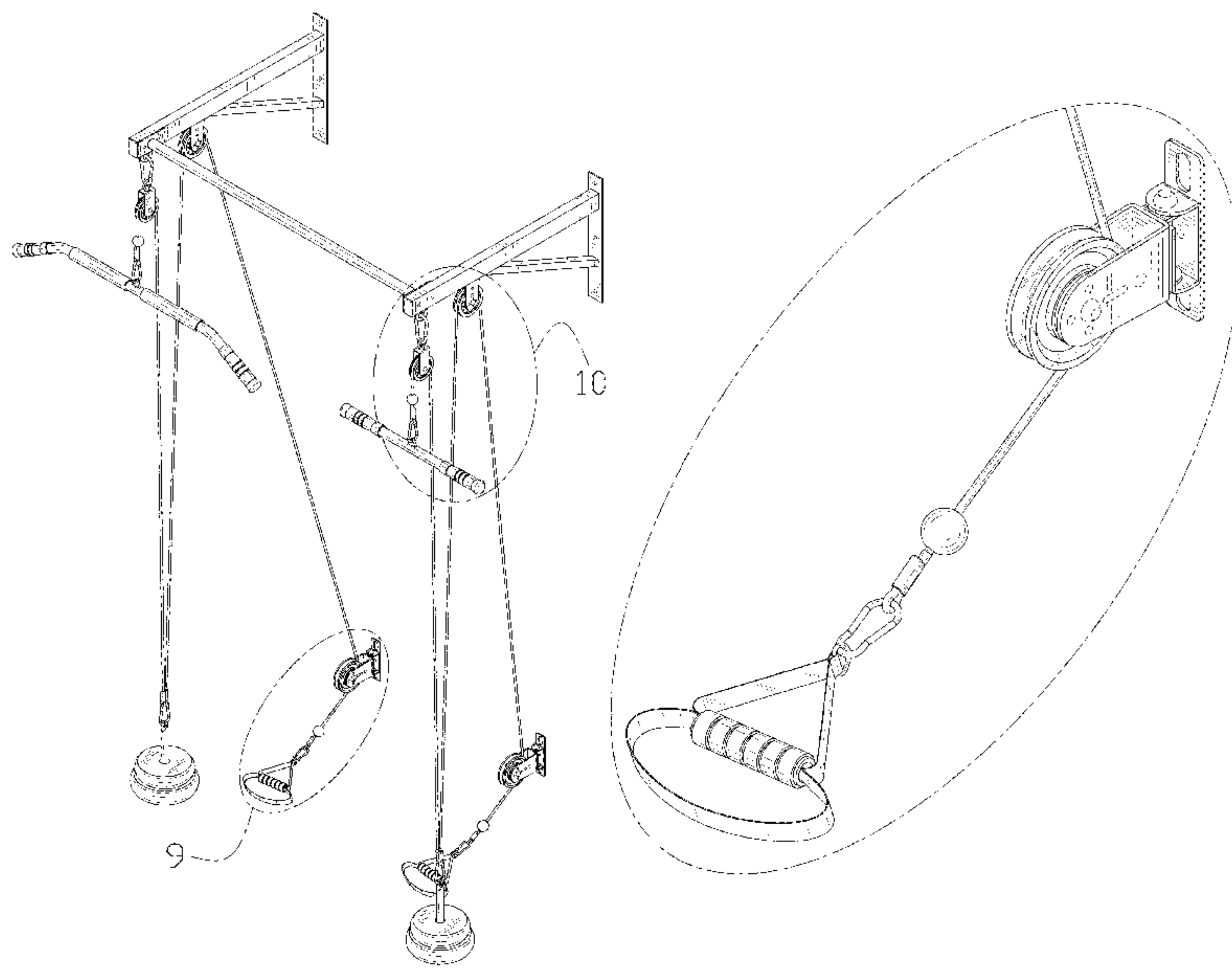
(57) **CLAIM**

The ornamental design for a wall mounted arm and pull up exerciser, as shown and described.

DESCRIPTION

FIG. 1 is a front, right, and top perspective view of a Wall mounted arm and pull up exerciser, wherein at least one weight is on a lower part of a rod, showing my design.
FIG. 2 is a rear, left, and bottom perspective view thereof.
FIG. 3 is a front elevation view thereof.
FIG. 4 is a rear elevation view thereof.
FIG. 5 is a left side elevation view thereof.
FIG. 6 is a right side elevation view thereof.
FIG. 7 is a top plan view thereof.
FIG. 8 is a bottom plan view thereof.
FIG. 9 is a partial enlarged view of an area labeled 9 in FIG. 1 comprising a retainer and a pull ring.
FIG. 10 is a partial enlarged view of an area labeled 10 in FIG. 1 comprising gears, a handle, and a portion of a cable; and,
FIG. 11 is another front, right, and top perspective view of the wall mounted arm and pull up exerciser of FIG. 1, wherein the weight body is in an elevated state.
The broken lines shown in the drawings are included for the purpose of illustrating portions of the wall mounted arm and pull up exerciser that form no part of the claimed design.

1 Claim, 11 Drawing Sheets



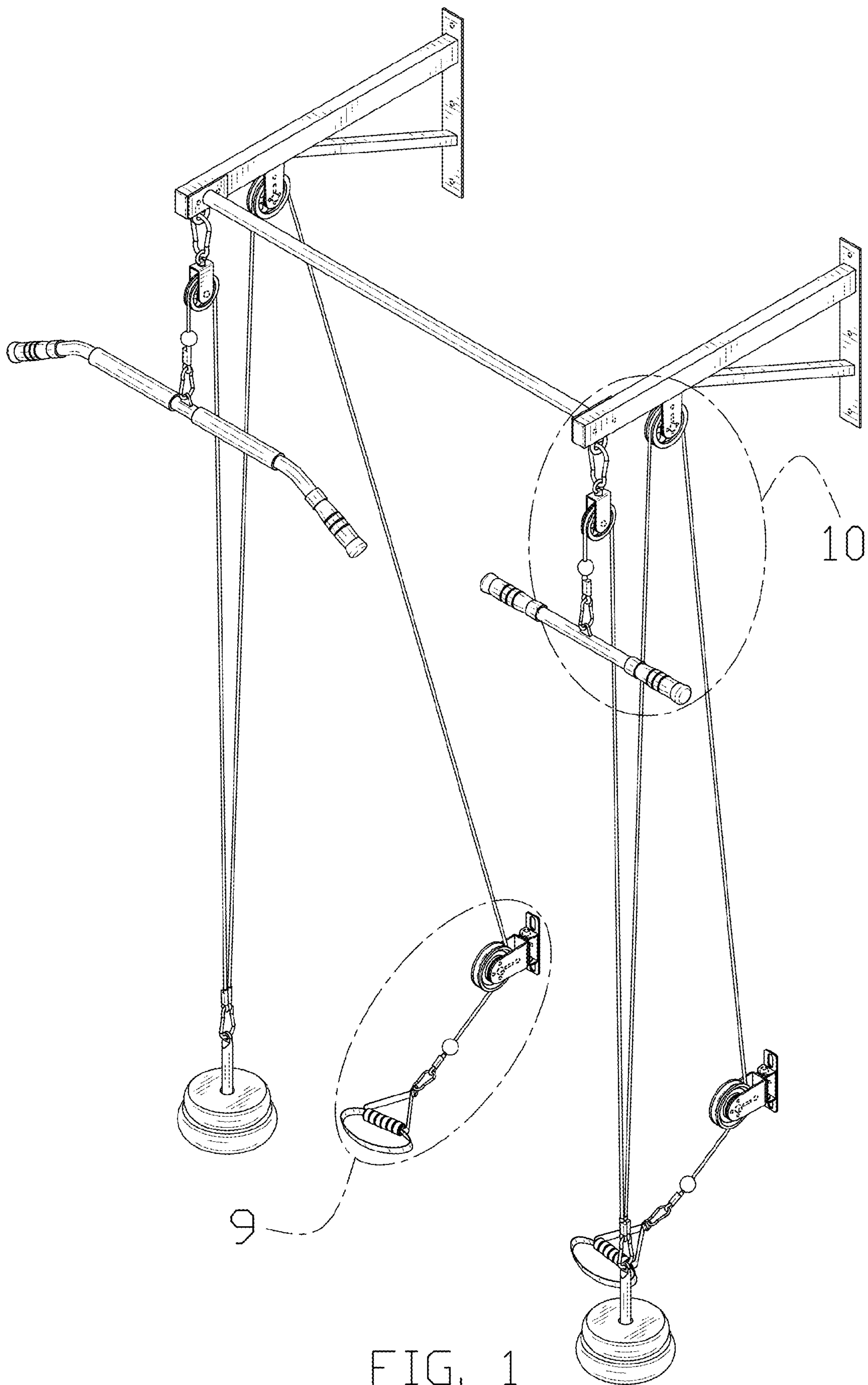


FIG. 1

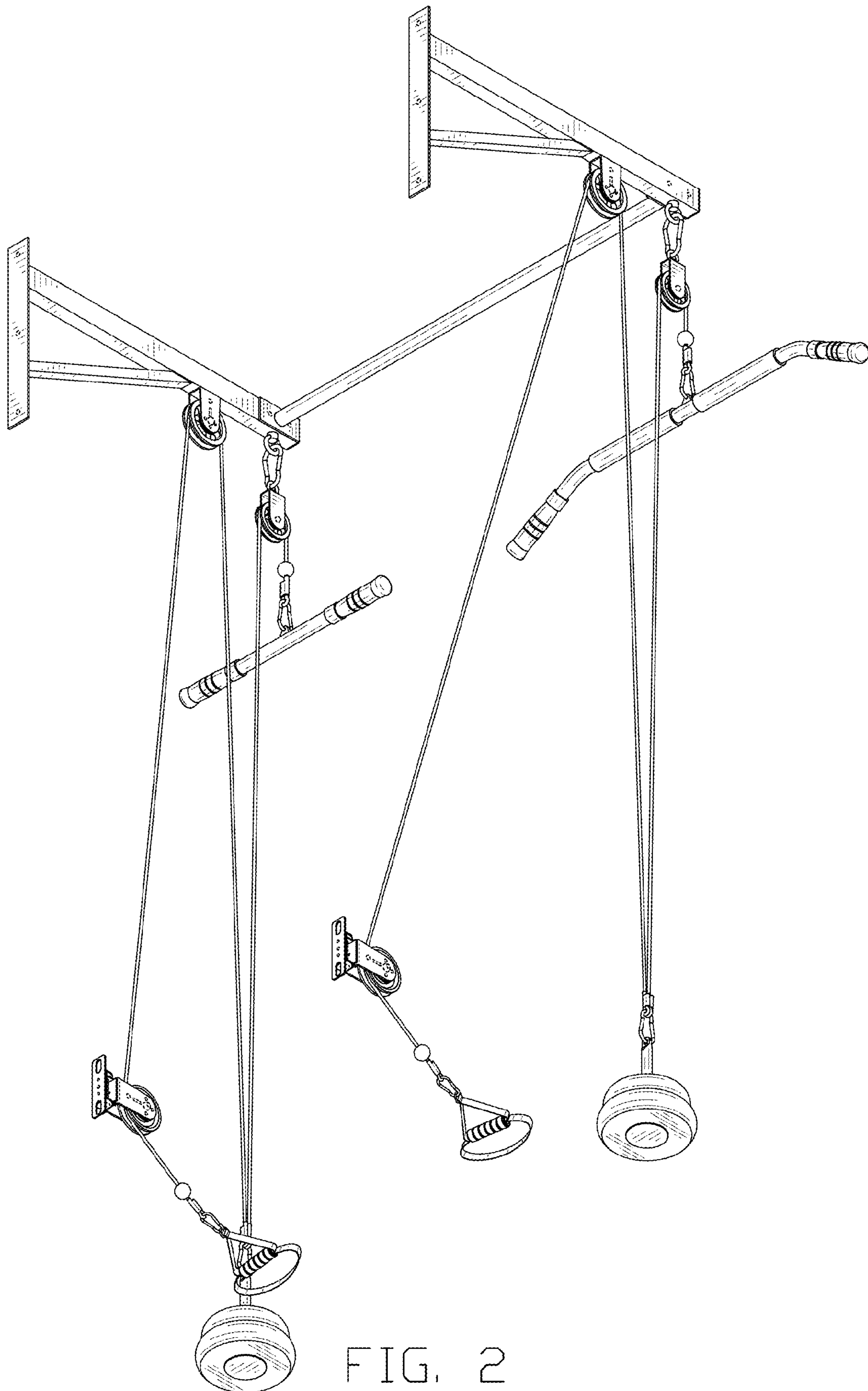


FIG. 2

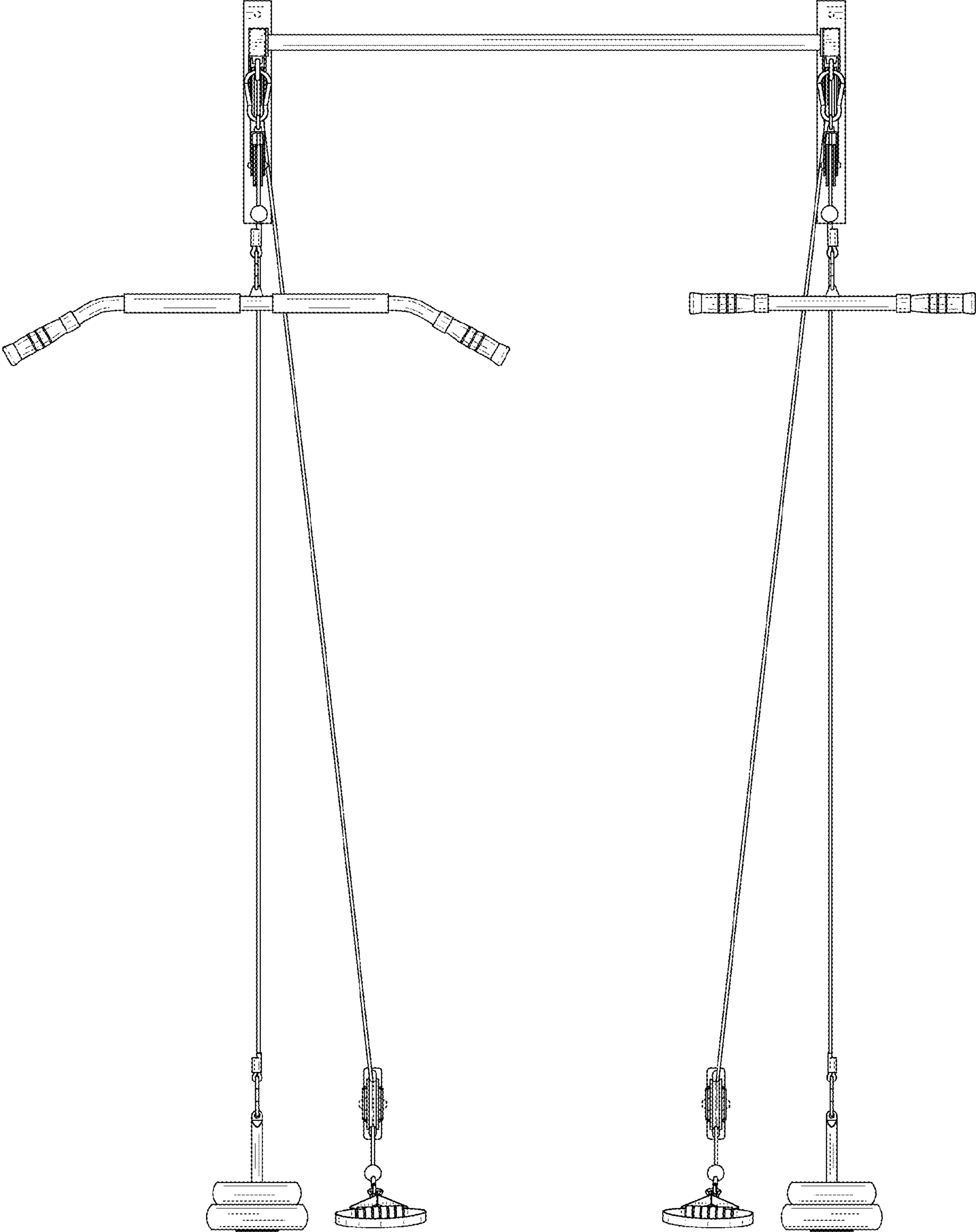


FIG. 3

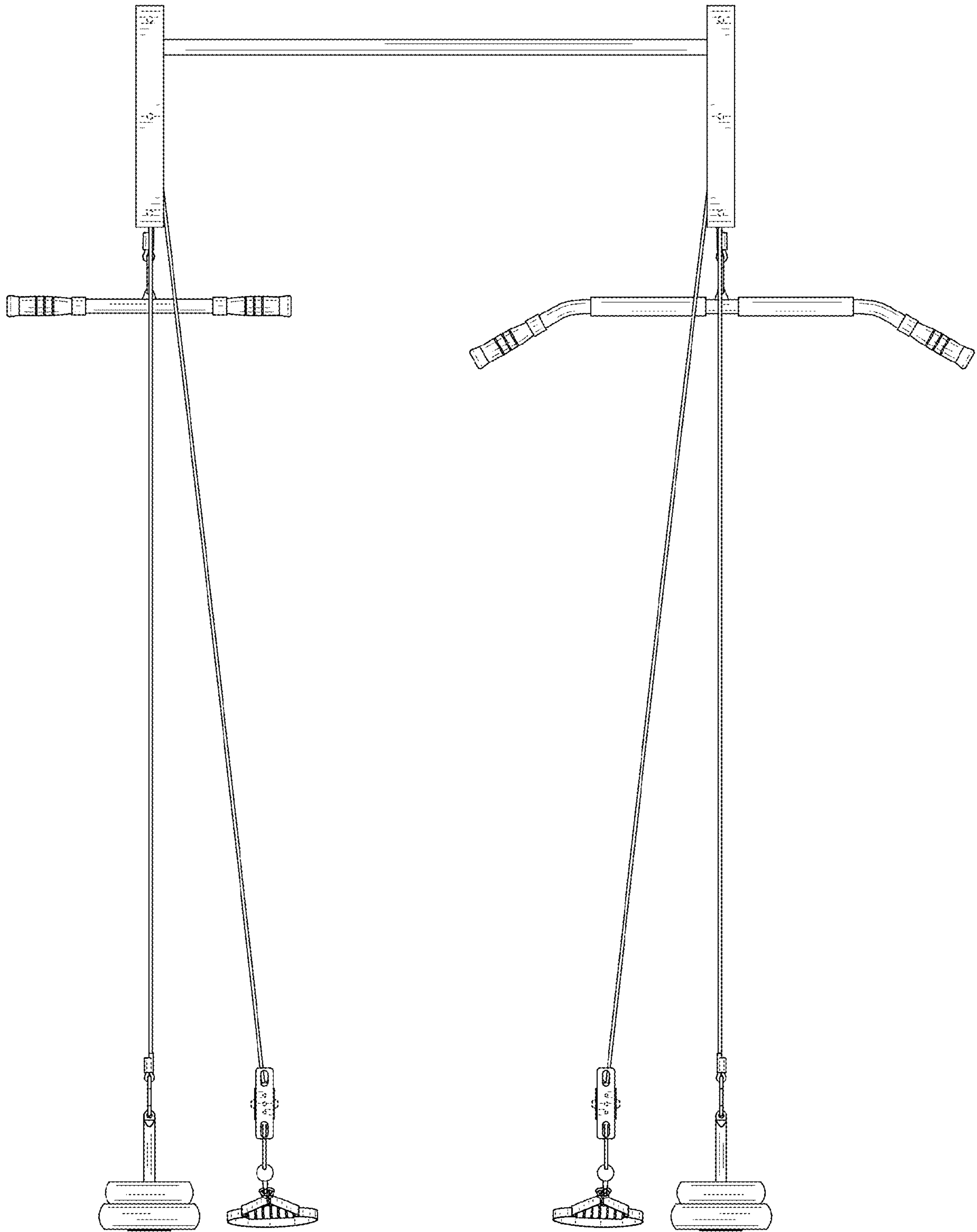


FIG. 4

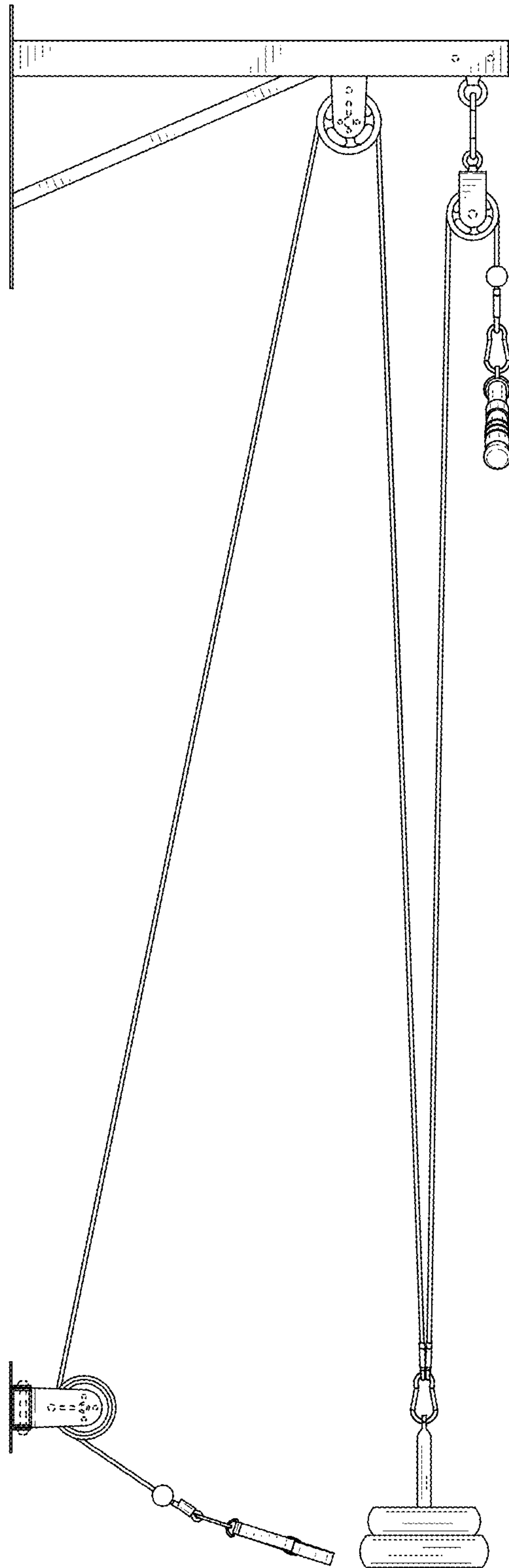


FIG. 5

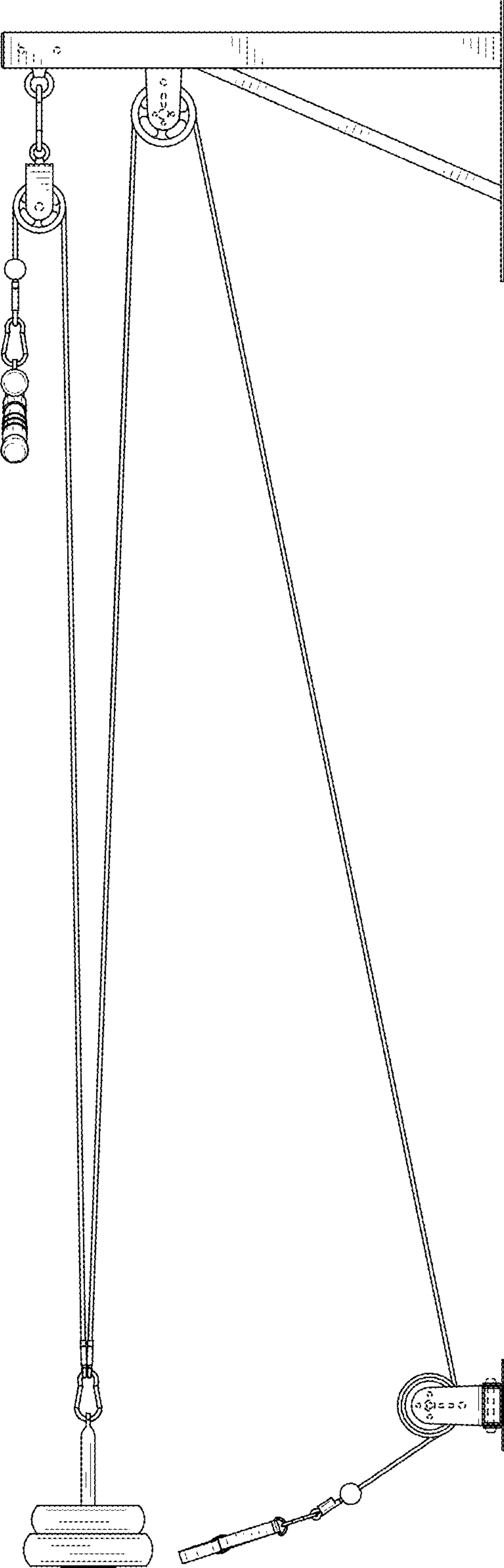


FIG. 6

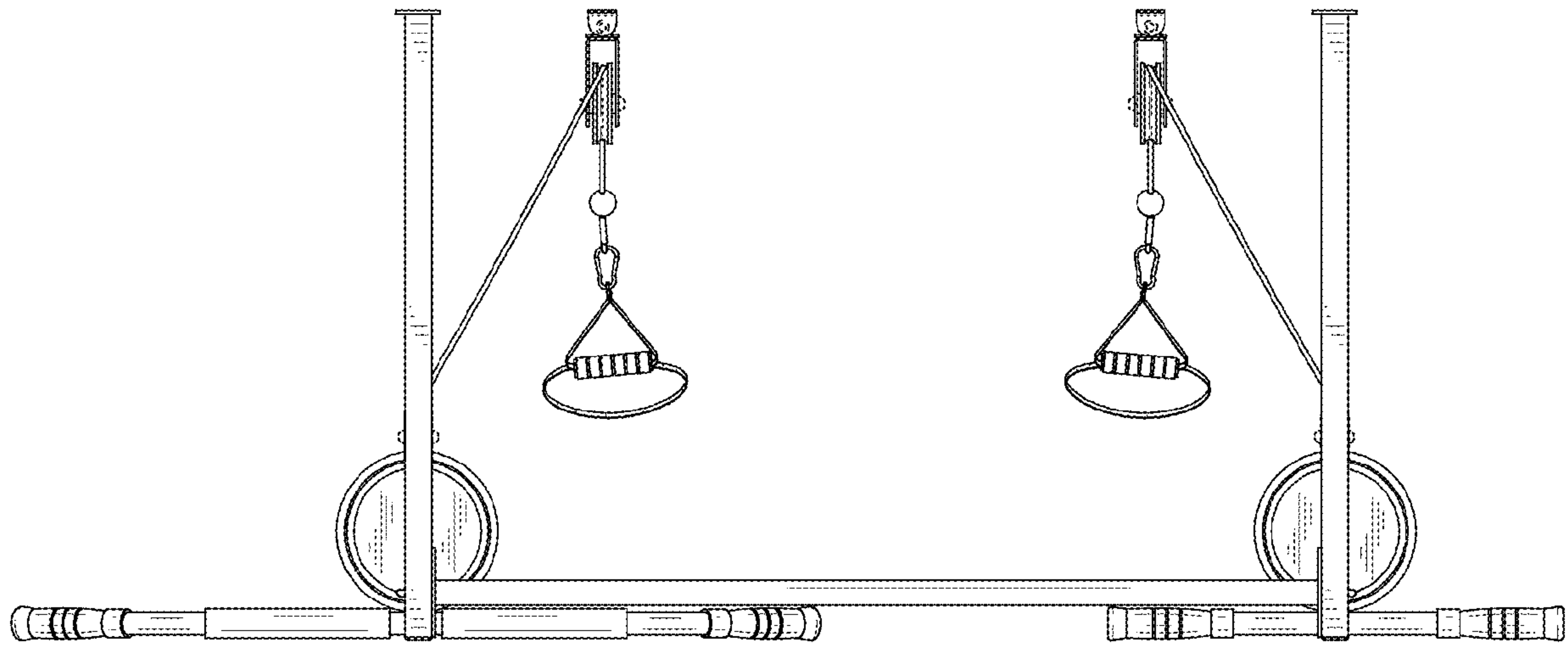


FIG. 7

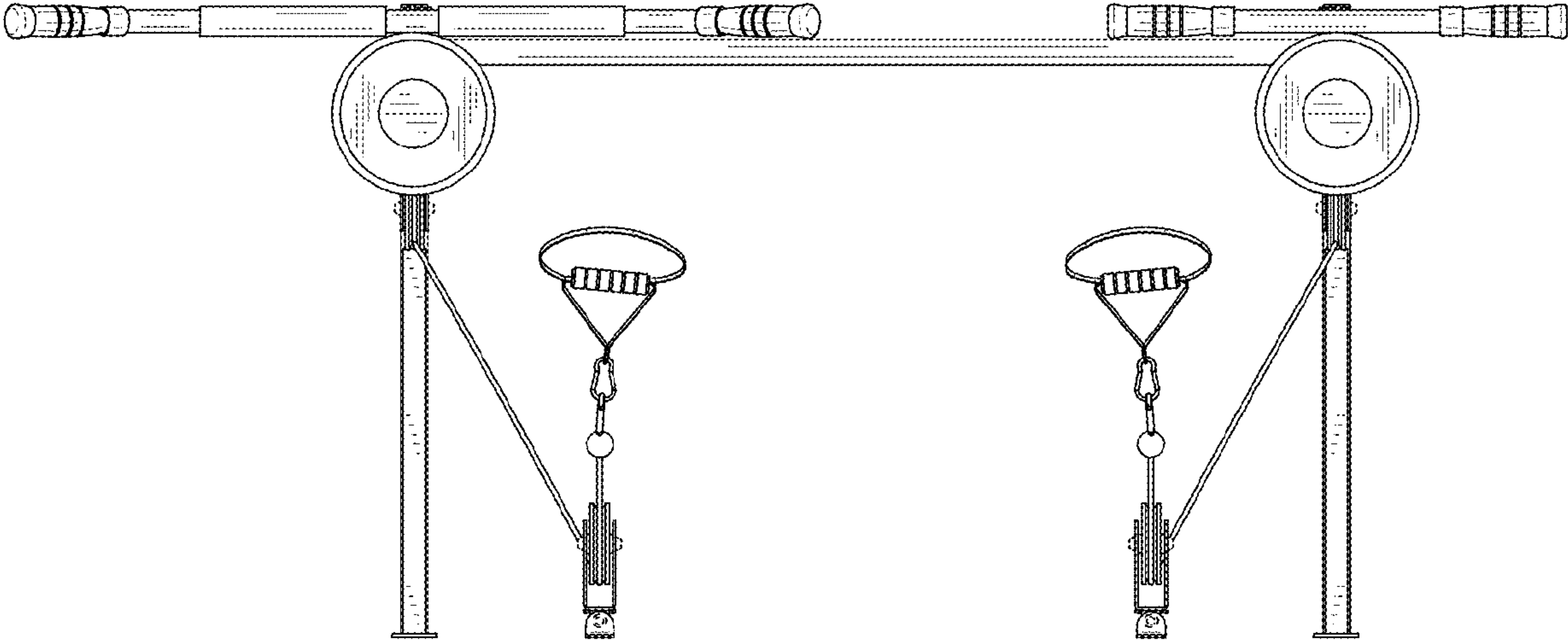


FIG. 8

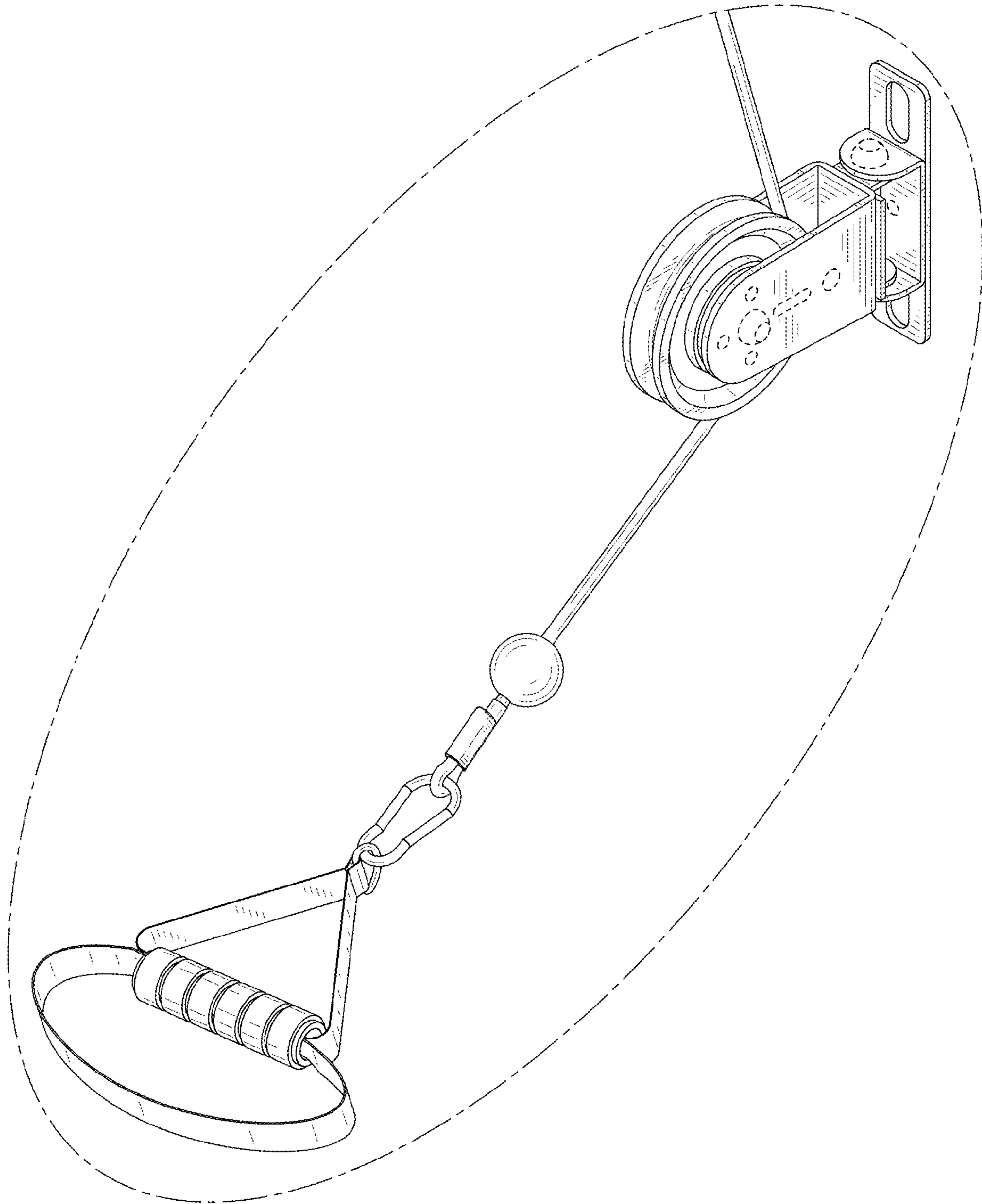


FIG. 9

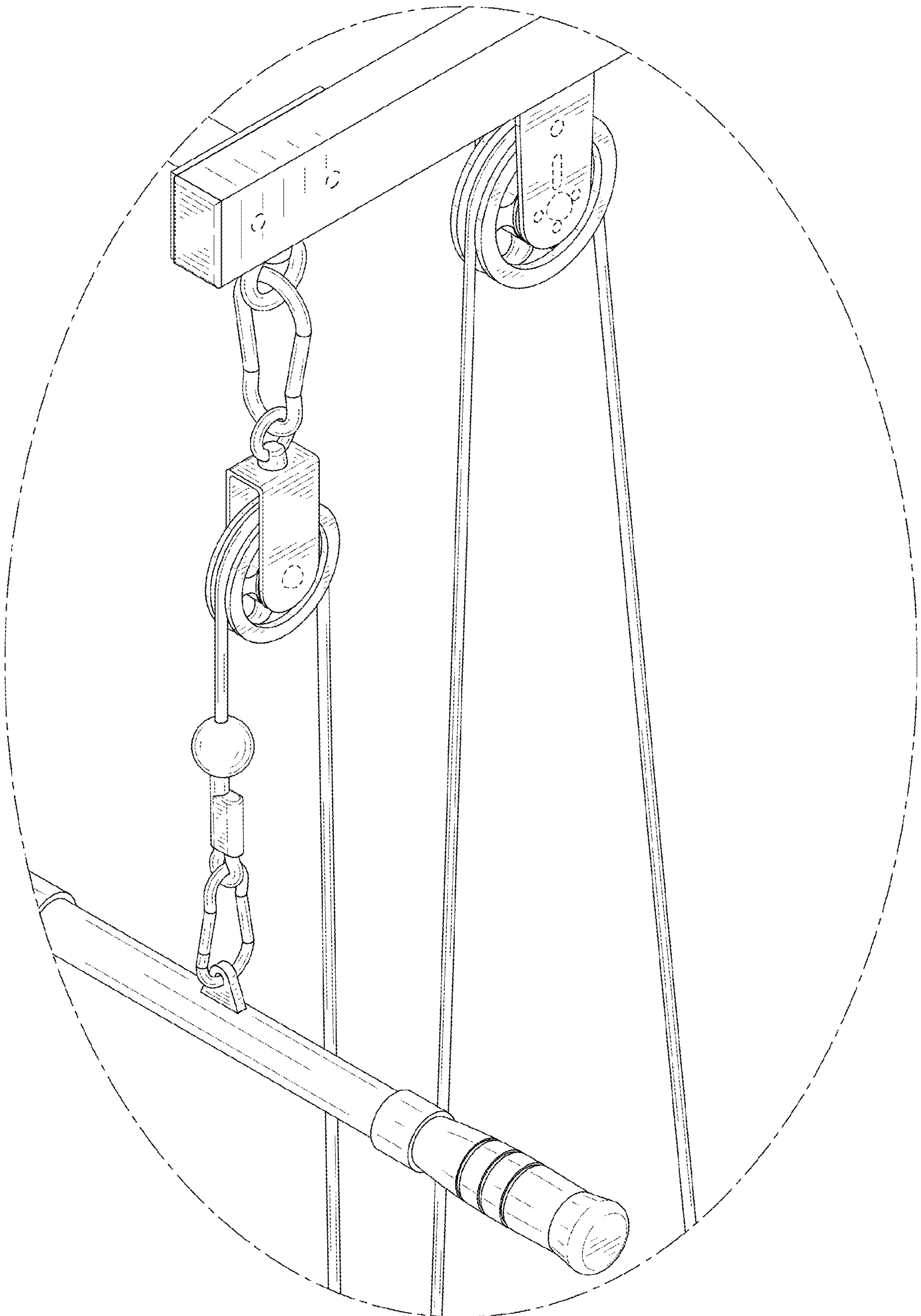


FIG. 10

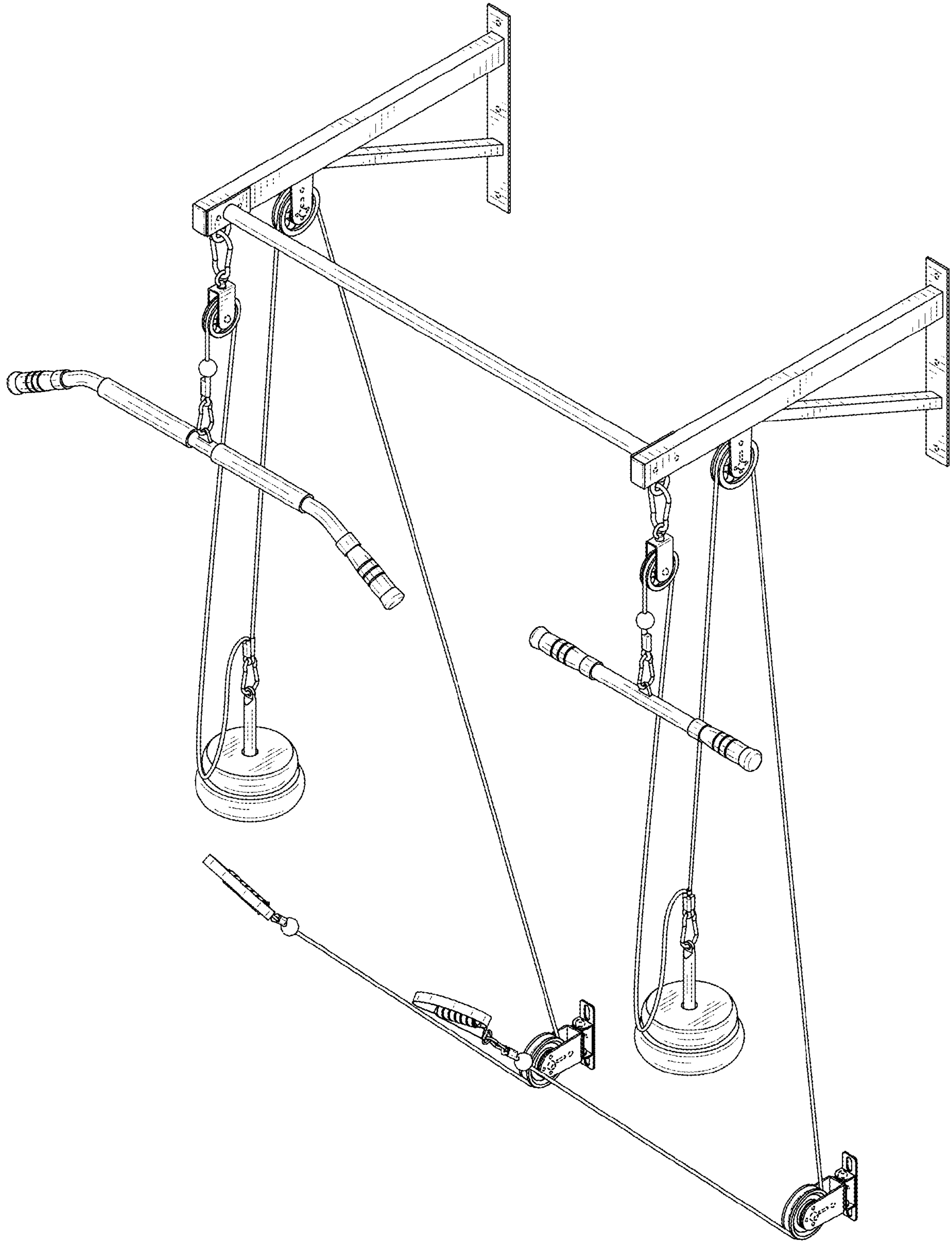


FIG. 11