



US00D953449S

(12) **United States Design Patent**
Pan

(10) **Patent No.:** **US D953,449 S**

(45) **Date of Patent:** **** May 31, 2022**

(54) **WALL MOUNTED ARM STRENGTH EXERCISER**

Machines-Resistance-Shoulder-DIY-Equipment/dp/B091KCJ28Q/ref (Year: 2021).*

(Continued)

(71) Applicant: **Yiwu Chaochen Sporting Goods Co., Ltd.**, Zhejiang (CN)

Primary Examiner — Khawaja Anwar

(72) Inventor: **Wenjin Pan**, Zhejiang (CN)

Assistant Examiner — Julice Seung Eun Oum

(73) Assignee: **Yiwu Chacchen Sporting Goods Co., Ltd.**, Zhejiang (CN)

(74) *Attorney, Agent, or Firm* — ScienBiziP, P.C.

(**) Term: **15 Years**

(57) **CLAIM**

(21) Appl. No.: **29/797,195**

The ornamental design for a wall mounted arm strength exerciser, as shown and described.

(22) Filed: **Jun. 29, 2021**

(51) **LOC (13) Cl.** **21-02**

(52) **U.S. Cl.**
USPC **D21/673**

(58) **Field of Classification Search**
USPC D21/673, 675, 686, 662, 665, 677, 679, D21/980, 681, 694

See application file for complete search history.

DESCRIPTION

(56) **References Cited**

U.S. PATENT DOCUMENTS

D256,822 S	9/1980	Ozzimo	
D300,048 S *	2/1989	Grider	D21/675
D303,558 S *	9/1989	Alessandri	D21/675
D308,559 S	6/1990	Beck	
D320,246 S *	9/1991	Ish, III	D21/675
D358,183 S *	5/1995	Habing	D21/675
2013/0288861 A1 *	10/2013	Cole	A63B 21/4043 482/102
2014/0135184 A1 *	5/2014	Hoole	A63B 23/12 482/97
2019/0240521 A1 *	8/2019	Staten	A63B 17/04

(Continued)

OTHER PUBLICATIONS

Marsafit, announced 2021 [online], [site visited Apr. 4, 2022]. Available on internet, URL:<https://www.amazon.com/Pulldown->

FIG. 1 is a front, right, and top perspective view of a wall mounted arm strength exerciser, wherein at least one weight is on a lower part of a rod, showing my design.

FIG. 2 is a rear, left, and bottom perspective view thereof.

FIG. 3 is a front elevation view thereof.

FIG. 4 is a rear elevation view thereof.

FIG. 5 is a left side elevation view thereof.

FIG. 6 is a right side elevation view thereof.

FIG. 7 is a top plan view thereof.

FIG. 8 is a bottom plan view thereof.

FIG. 9 is a partial enlarged view of an area labeled 9 in FIG. 1 comprising gears.

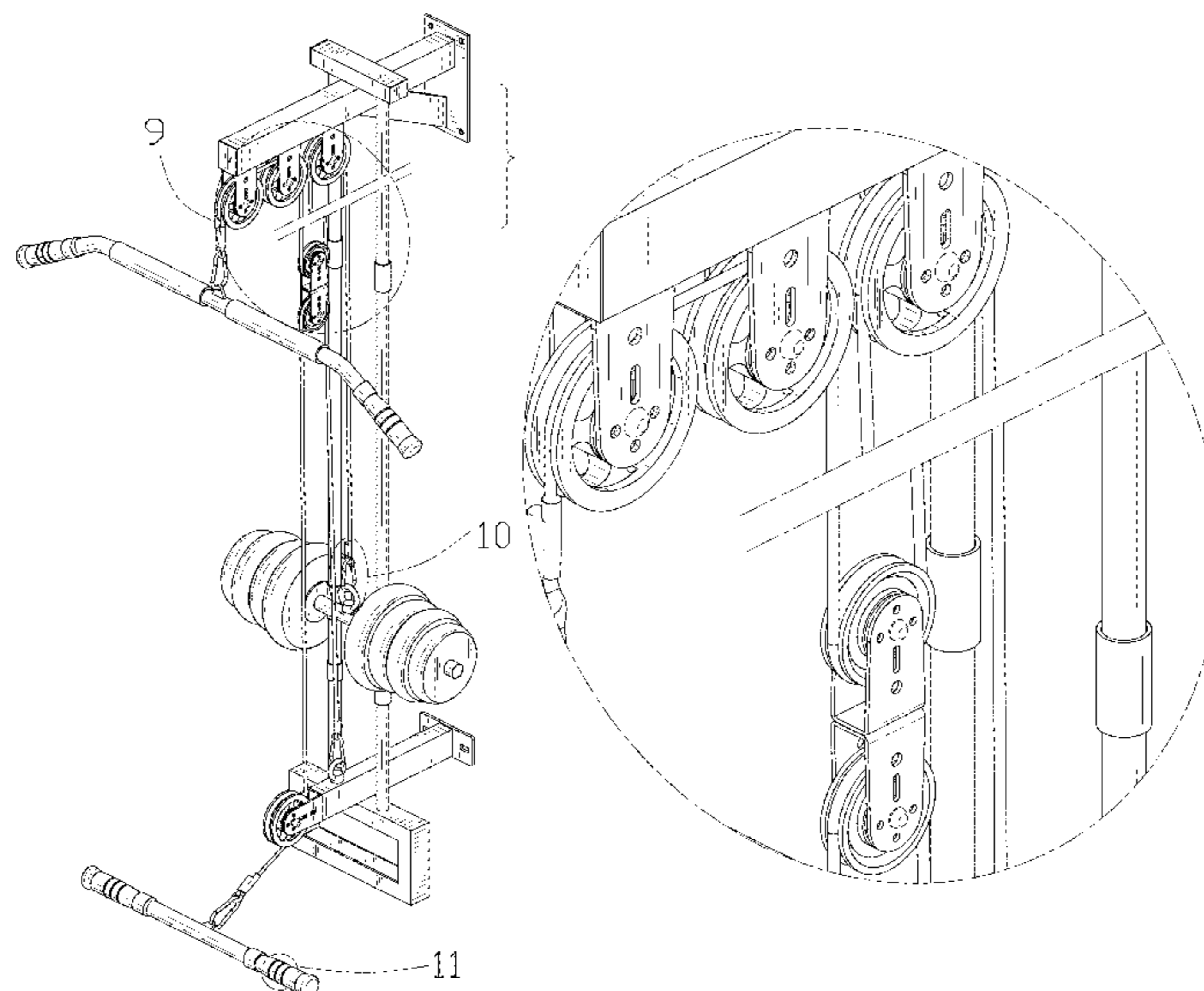
FIG. 10 is a partial enlarged view of an area labeled 10 in FIG. 1 comprising hooks.

FIG. 11 is a partial enlarged view of an area labeled 11 in FIG. 1 comprising a part of a handle; and,

FIG. 12 is another front, right, and top perspective view of the wall mounted arm strength exerciser of FIG. 1, wherein the weight body is in an elevated state.

The broken lines shown in the drawings are included for the purpose of illustrating portions of the wall mounted arm strength exerciser that form no part of the claimed design.

1 Claim, 12 Drawing Sheets



(56)

References Cited

U.S. PATENT DOCUMENTS

2019/0269963 A1* 9/2019 Steenekamp A63B 23/1263
2019/0269992 A1* 9/2019 Dunahay A47B 81/00
2019/0321709 A1* 10/2019 Downey A63B 21/063
2020/0254303 A1* 8/2020 Stearns A63B 22/04
2020/0391069 A1* 12/2020 Olson A63B 21/4035
2020/0398104 A1* 12/2020 Rogers A63B 21/068
2021/0220691 A1* 7/2021 Ivanov A63B 21/0615
2021/0283455 A1* 9/2021 Robinson A63B 21/4047
2022/0072361 A1* 3/2022 Henniger A63B 21/4029
2022/0072367 A1* 3/2022 Wang A63B 21/0087

OTHER PUBLICATIONS

Xmark, announced 2012[online], [site visited Apr. 4, 2022]. Available on internet, URL:<https://www.amazon.com/XMark-Pulldown-Cable-Machine-XM-7618/dp/B00823OOW2/ref> (Year: 2012).*

Hulkfit, announced 2018[online], [site visited Apr. 4, 2022]. Available on internet, URL:<https://www.amazon.com/HulkFit-Pull-Down-Attachment-Multi-Function-Adjustable/dp/B07HNVY7TV/ref> (Year: 2018).*

* cited by examiner

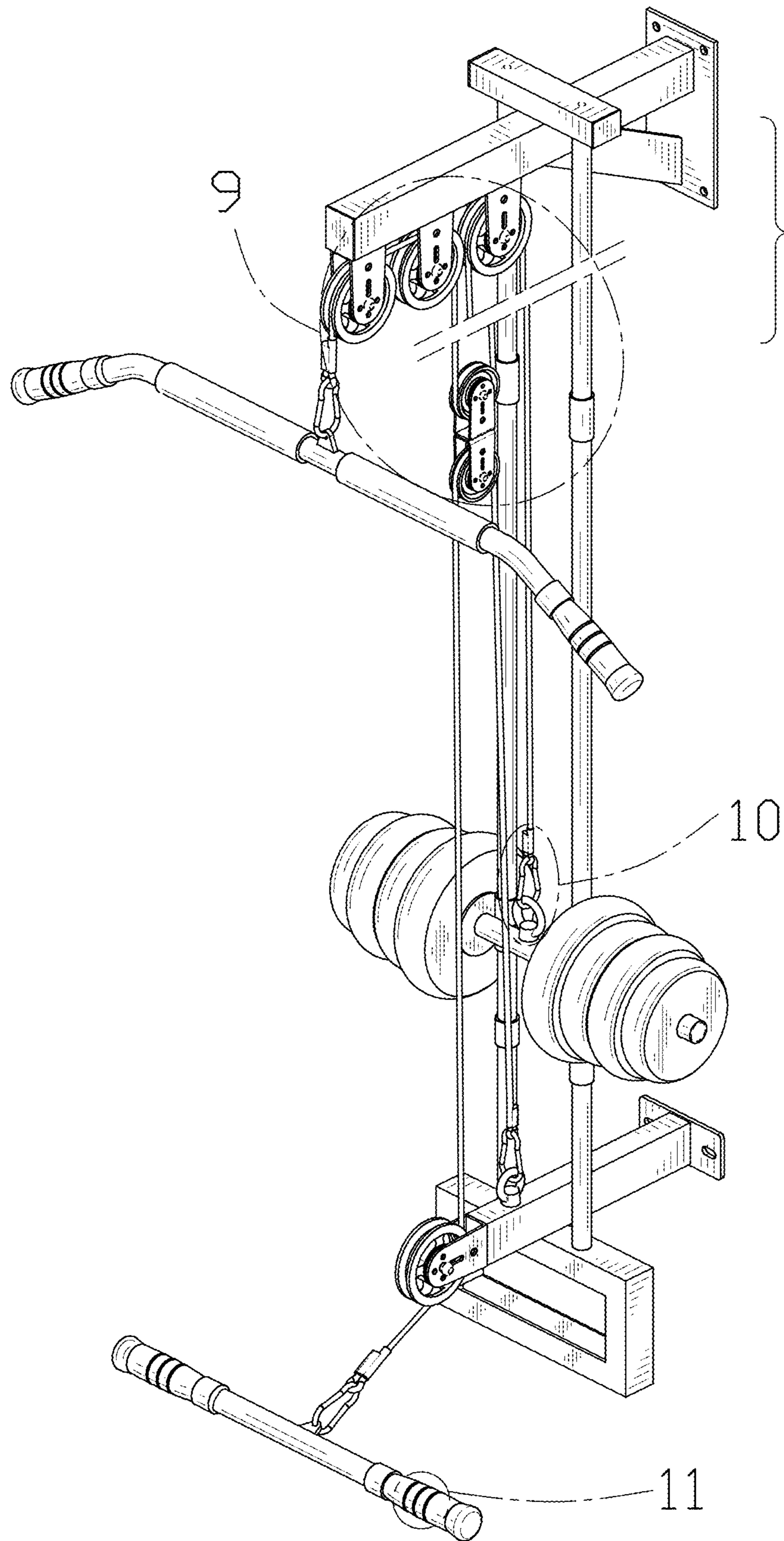


FIG. 1

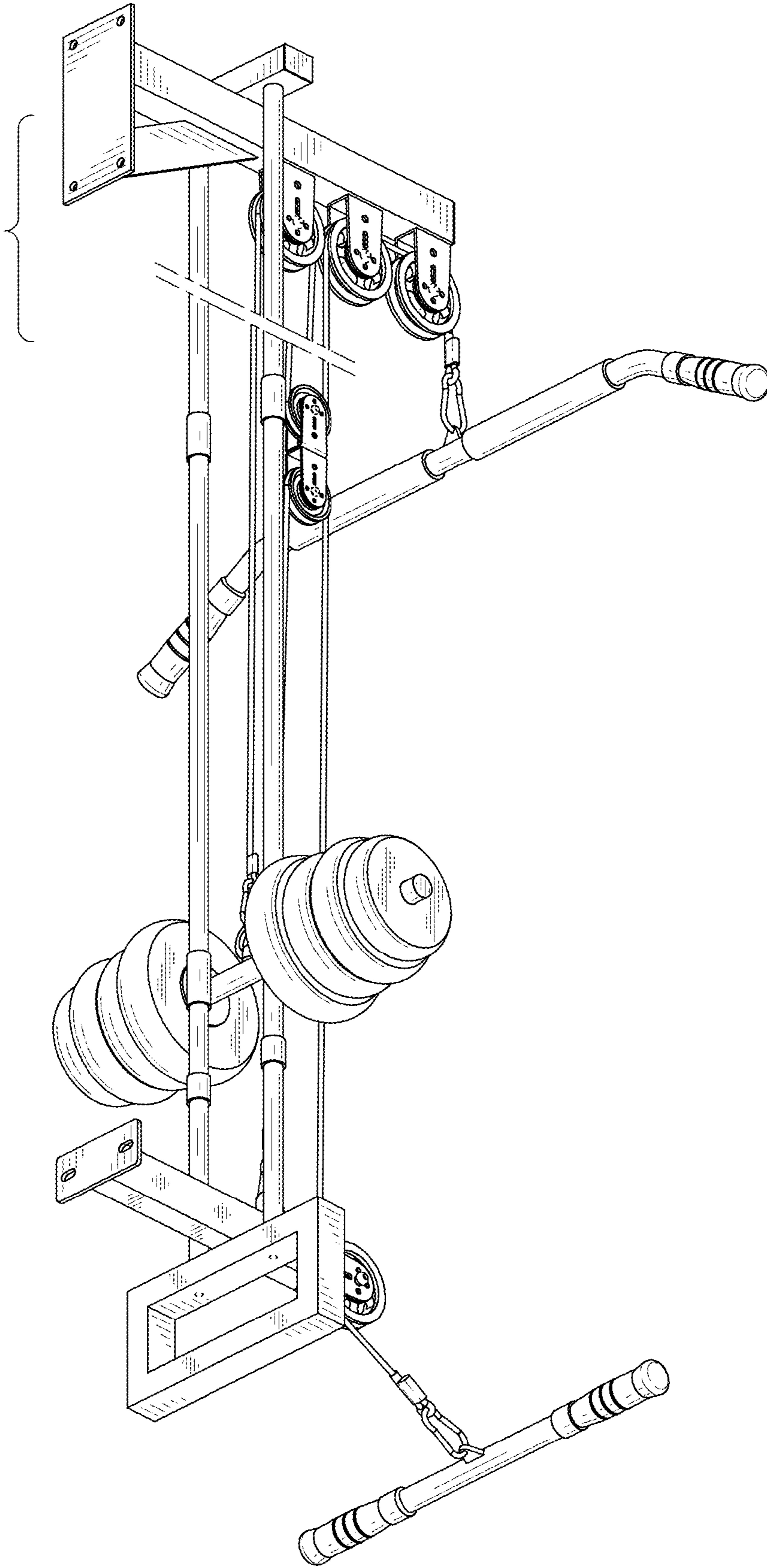


FIG. 2

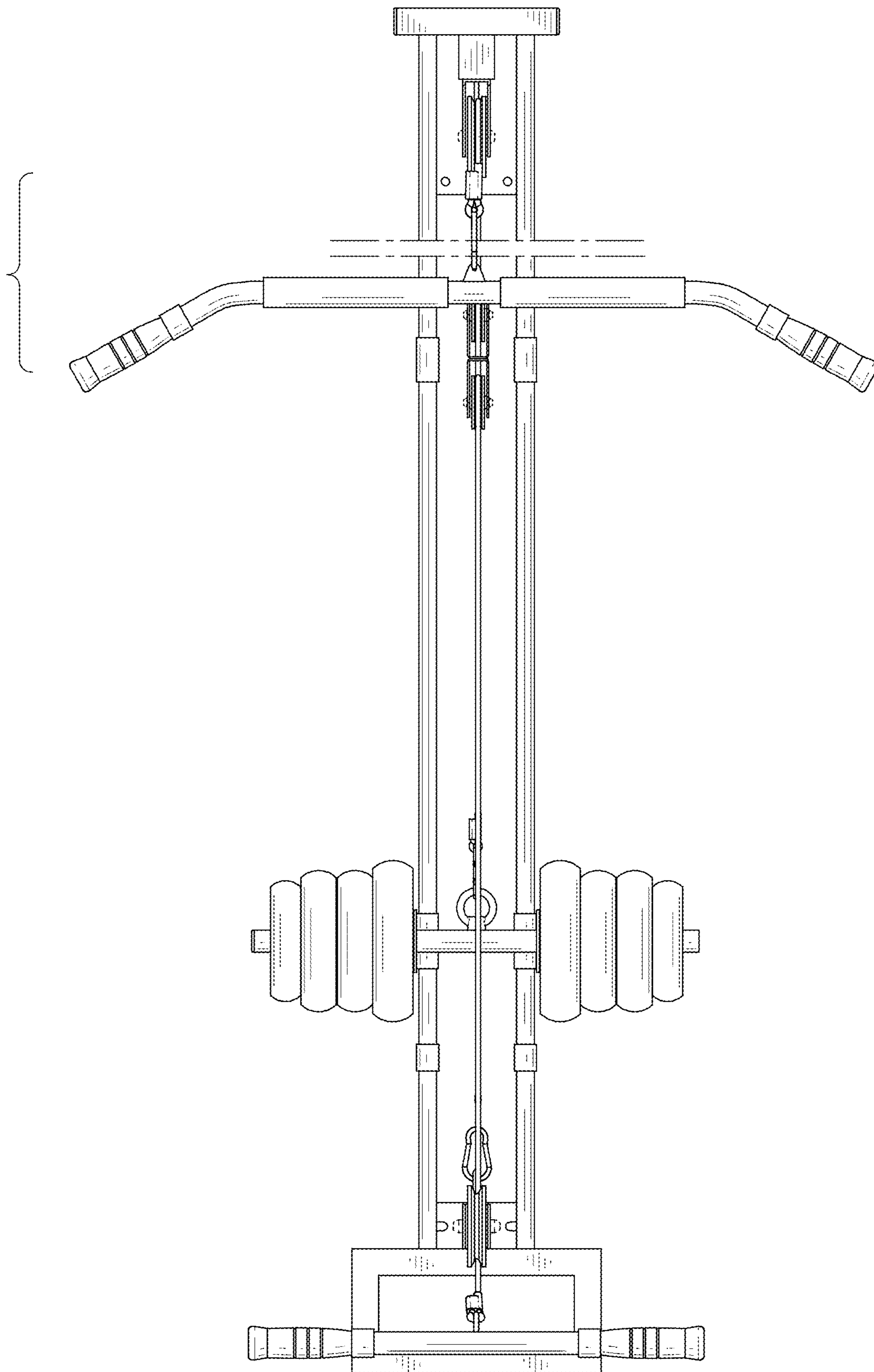


FIG. 3

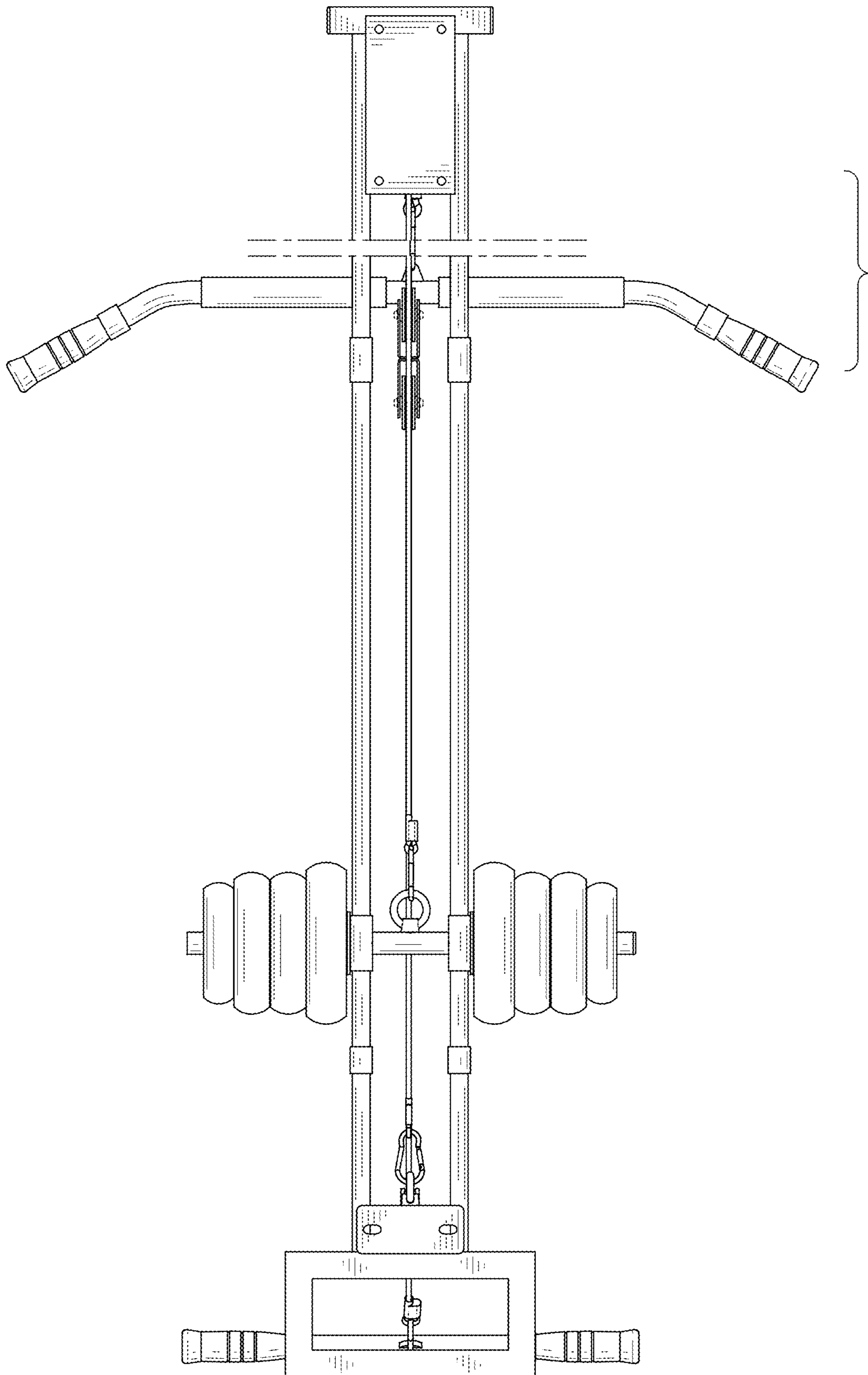


FIG. 4

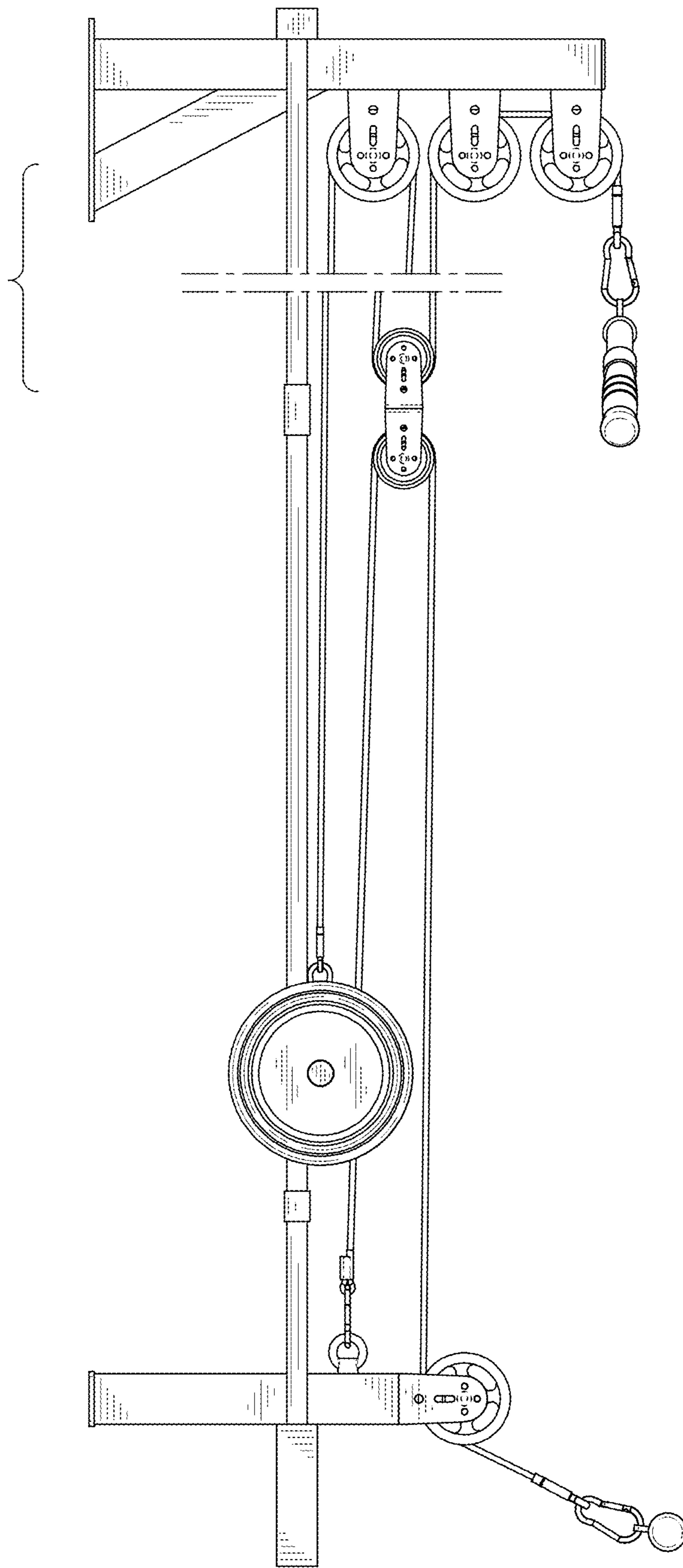


FIG. 5

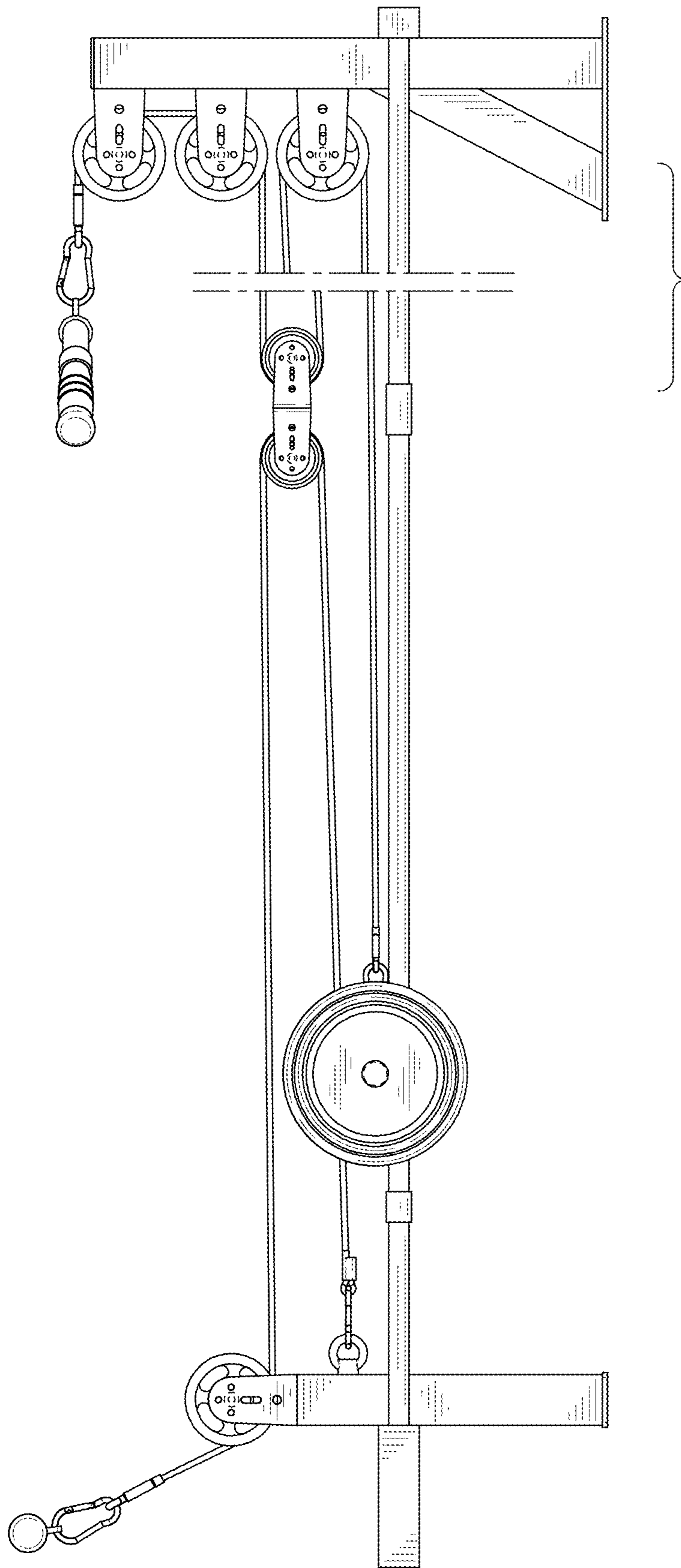


FIG. 6

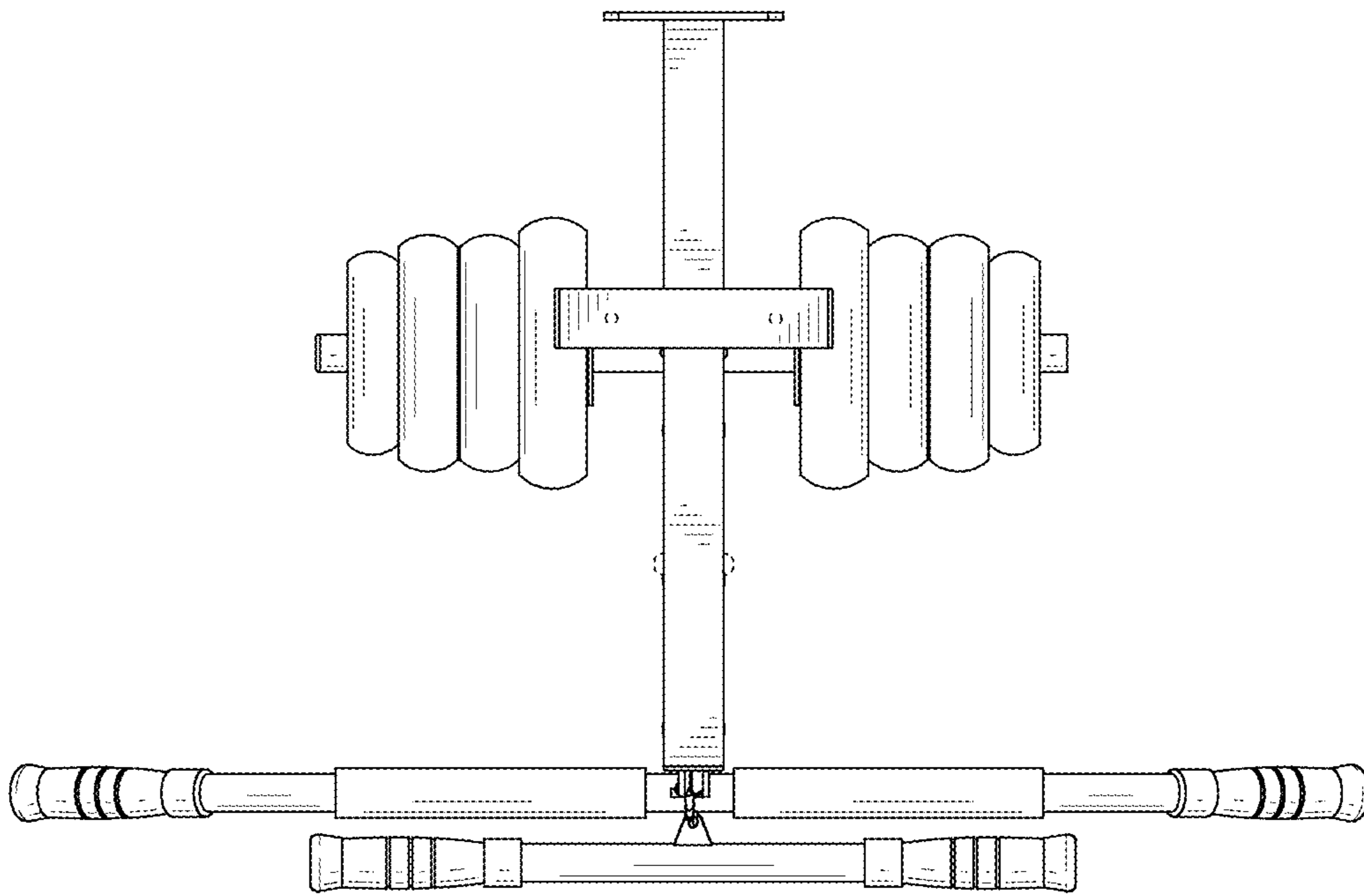


FIG. 7

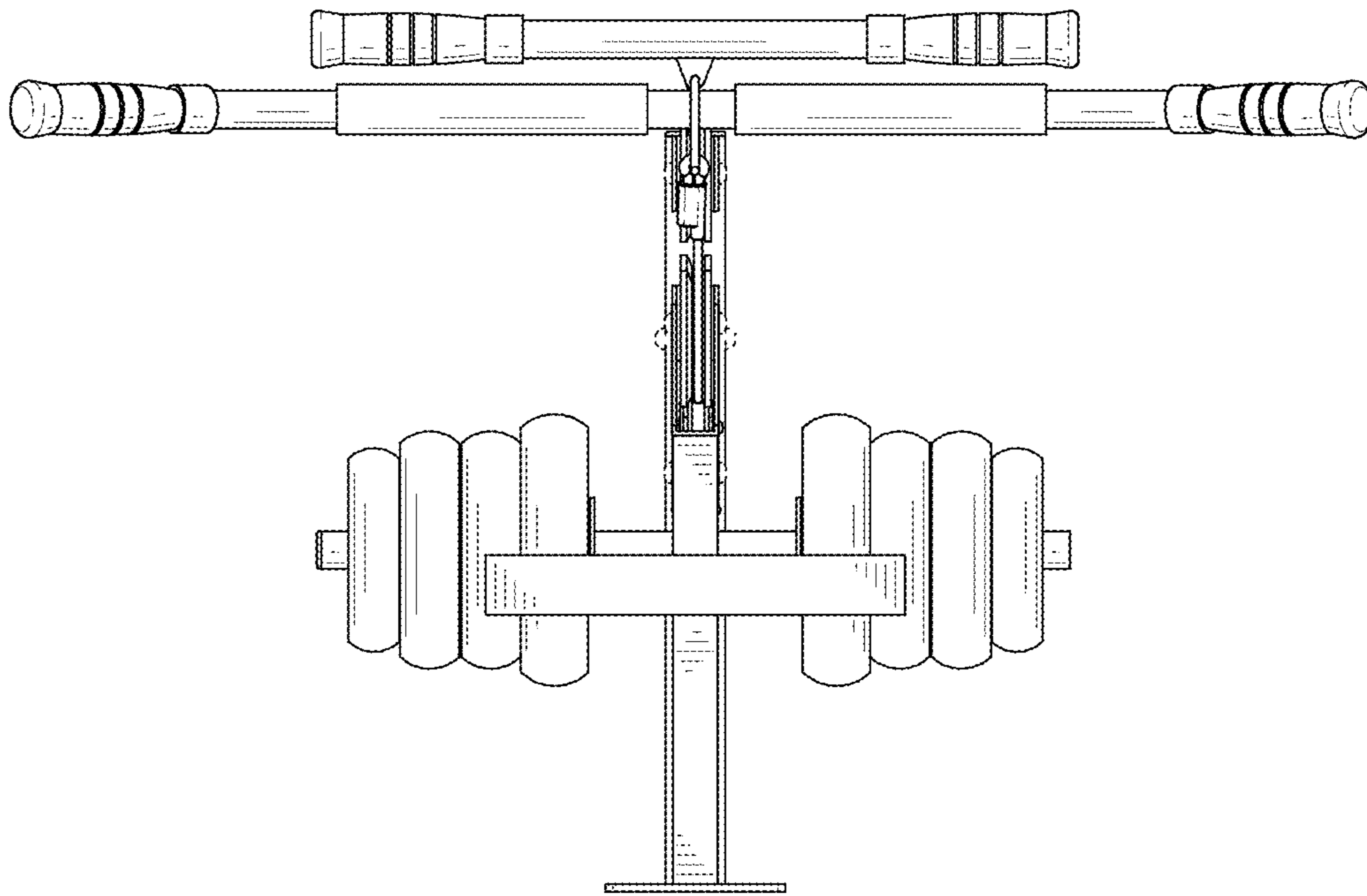


FIG. 8

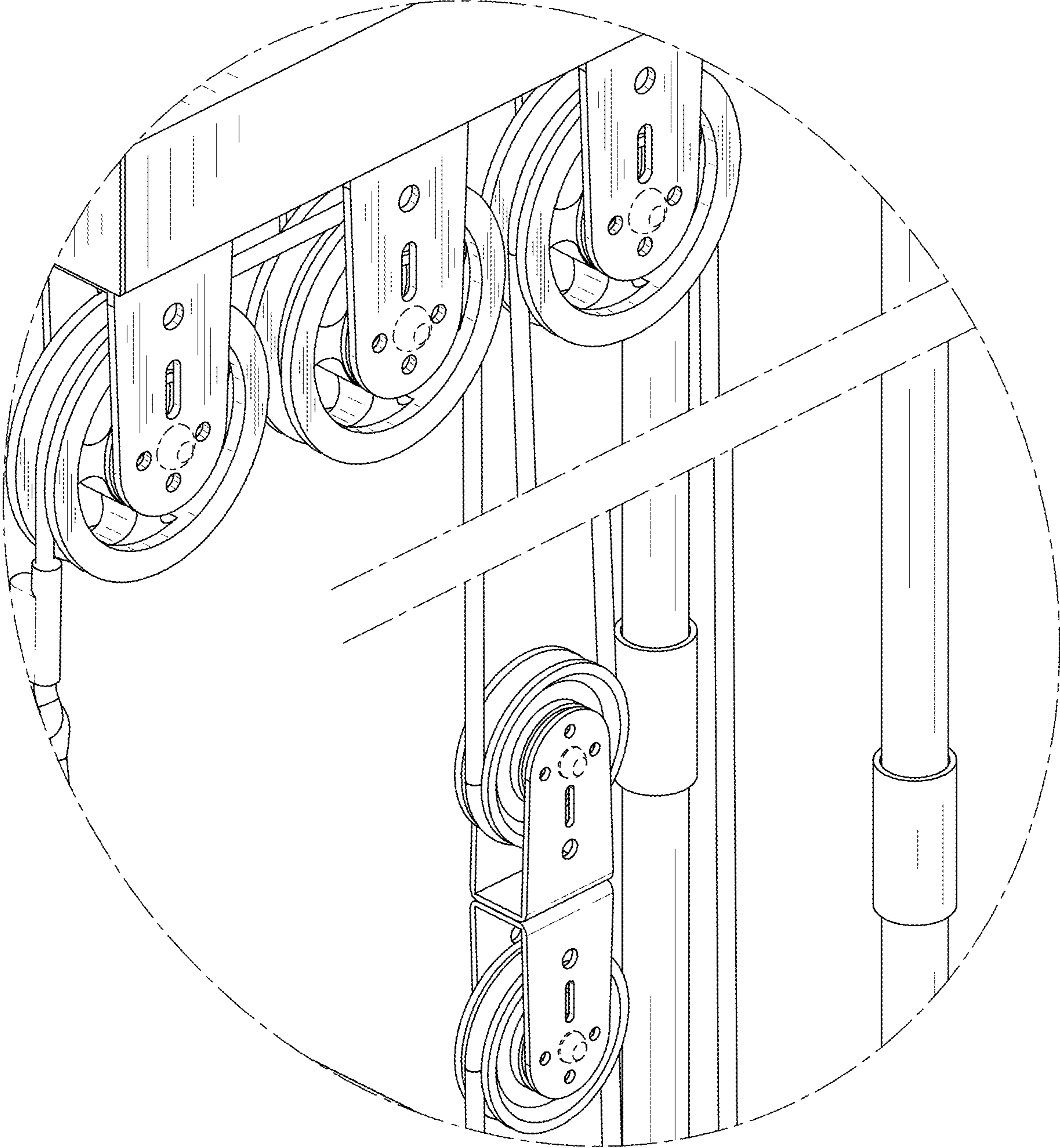


FIG. 9

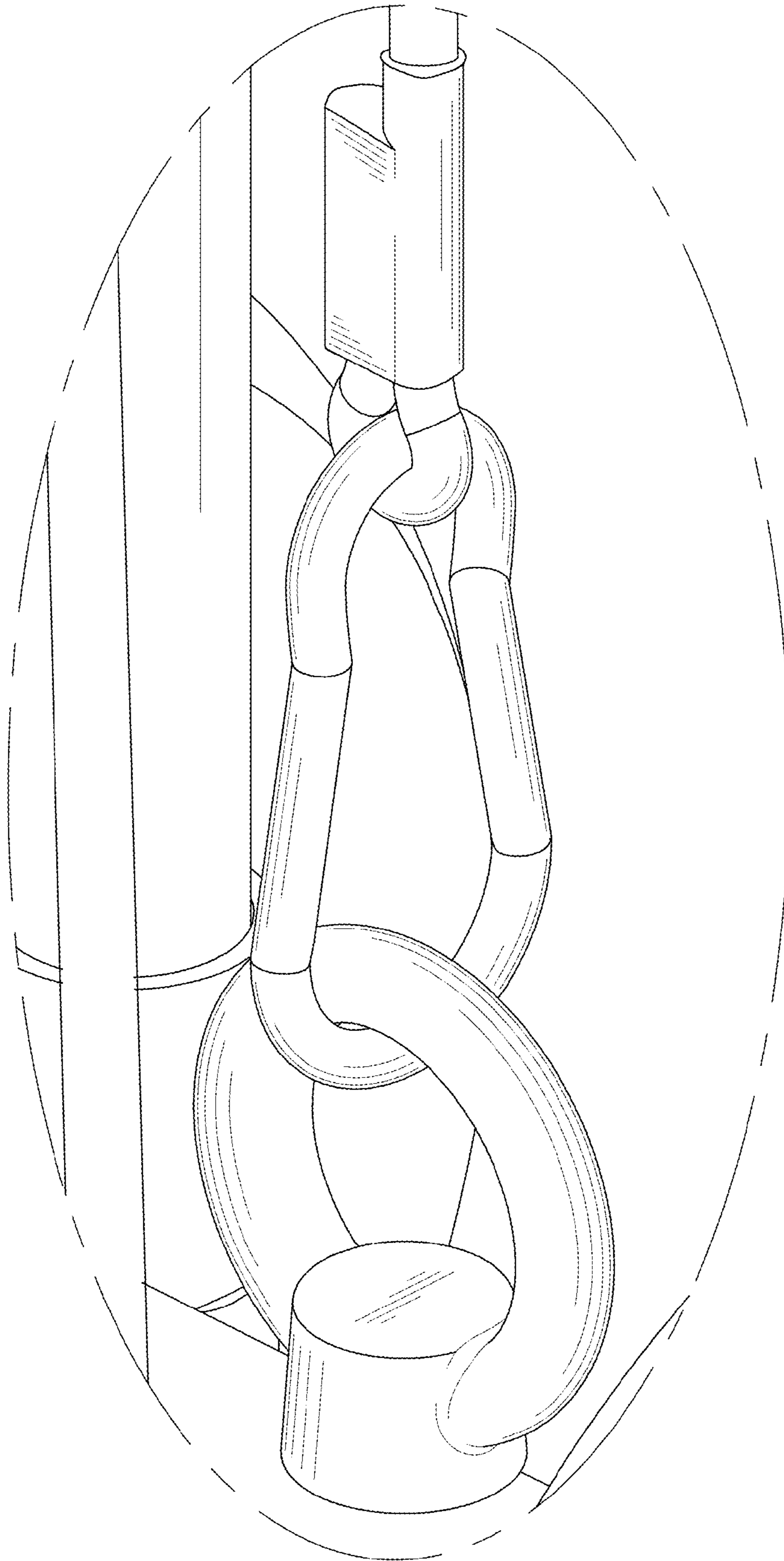


FIG. 10

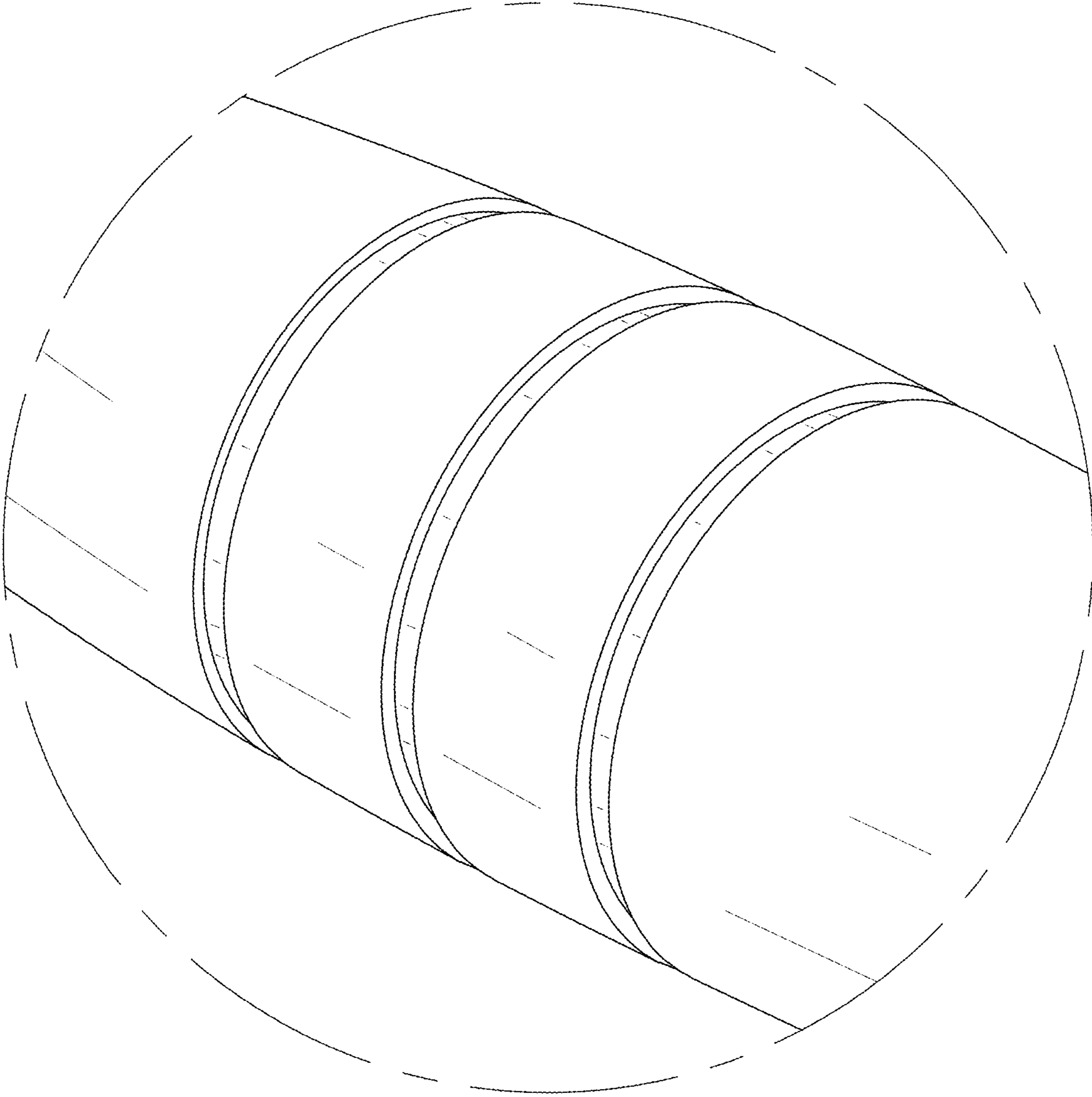


FIG. 11

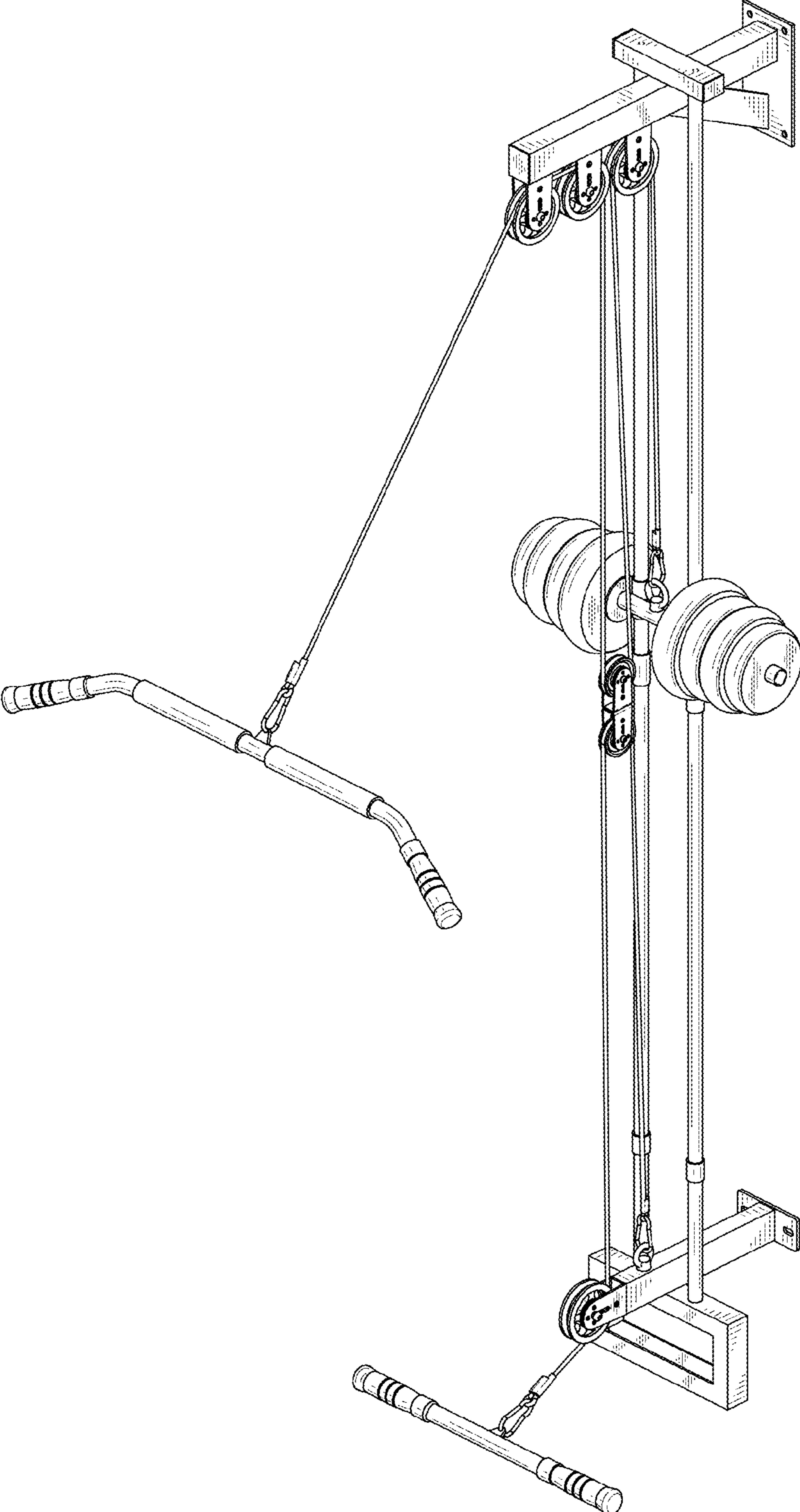


FIG. 12