



US00D953444S

(12) **United States Design Patent** (10) **Patent No.:** **US D953,444 S**
Salvador et al. (45) **Date of Patent:** **** May 31, 2022**

(54) **ELECTRIC SCOOTER**

(56) **References Cited**

(71) Applicant: **Taur Technologies Limited**, Horsham (GB)

U.S. PATENT DOCUMENTS

(72) Inventors: **Fabio Salvador**, London (GB); **Josh Elgood**, London (GB); **Susana Fernández Álvarez**, London (GB); **Carson Brown**, London (GB); **John Desmond**, Hayling Island (GB); **Richard Adey**, Dorking (GB)

D827,036 S *	8/2018	Sebban	D21/423
D829,826 S *	10/2018	Liu	D21/423
D834,097 S *	11/2018	Lin	D21/423
D849,153 S *	5/2019	Zhang	D21/423
D858,647 S *	9/2019	Liu	D21/423
D886,907 S *	6/2020	Gao	D21/423
D890,852 S *	7/2020	Yang	D21/423
D910,121 S *	2/2021	Liu	D21/423
D911,457 S *	2/2021	Yu	D21/423
D918,305 S *	5/2021	Fan	D21/423
D921,764 S *	6/2021	Zhang	D21/423
D921,765 S *	6/2021	Ostergaard	D21/423
D923,103 S *	6/2021	Zheng	D21/423

(**) Term: **15 Years**

(21) Appl. No.: **35/511,373**

* cited by examiner

(22) Filed: **Aug. 6, 2020**

Primary Examiner — Joseph Kukella

(80) **Hague Agreement Data**

Int. Filing Date: **Aug. 6, 2020**
Int. Reg. No.: **DM/209860**
Int. Reg. Date: **Aug. 6, 2020**
Int. Reg. Pub. Date: **Feb. 12, 2021**

(57) **CLAIM**

The ornamental design for an electric scooter, as shown and described.

(30) **Foreign Application Priority Data**

Feb. 24, 2020 (GB) 6084095

(51) **LOC (13) Cl.** **12-11**

(52) **U.S. Cl.**
USPC **D21/423**

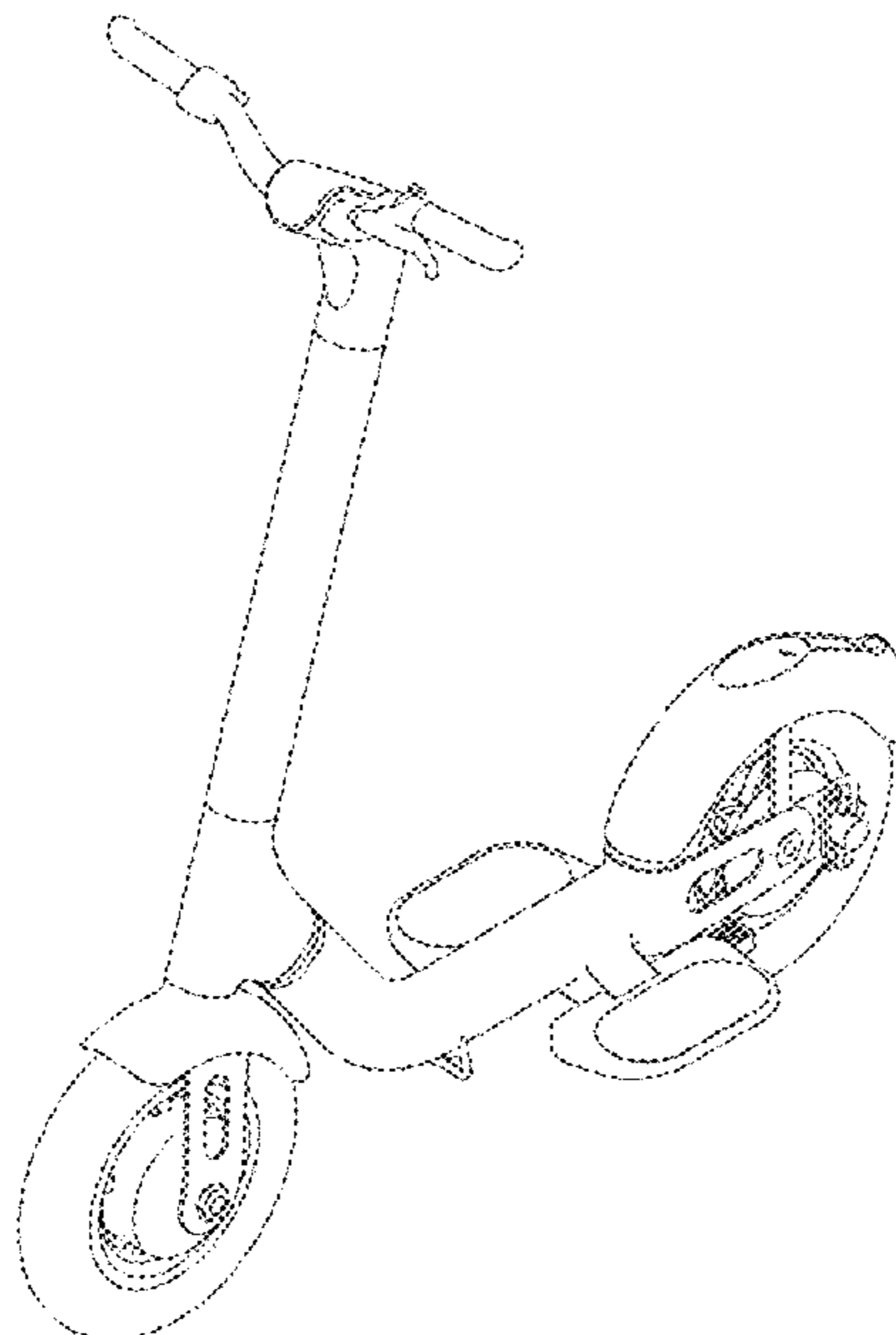
(58) **Field of Classification Search**
USPC D12/107, 109–113; D21/419, 423
CPC B62D 51/00; B62D 51/001; B62D 51/02;
B62D 61/00; B62D 61/02; B62K 3/00;
B62K 3/02; B62K 3/04; B62K 3/06;
B62K 3/08; B62K 3/10; B62K 9/00;
B62K 11/00; B62K 11/10

DESCRIPTION

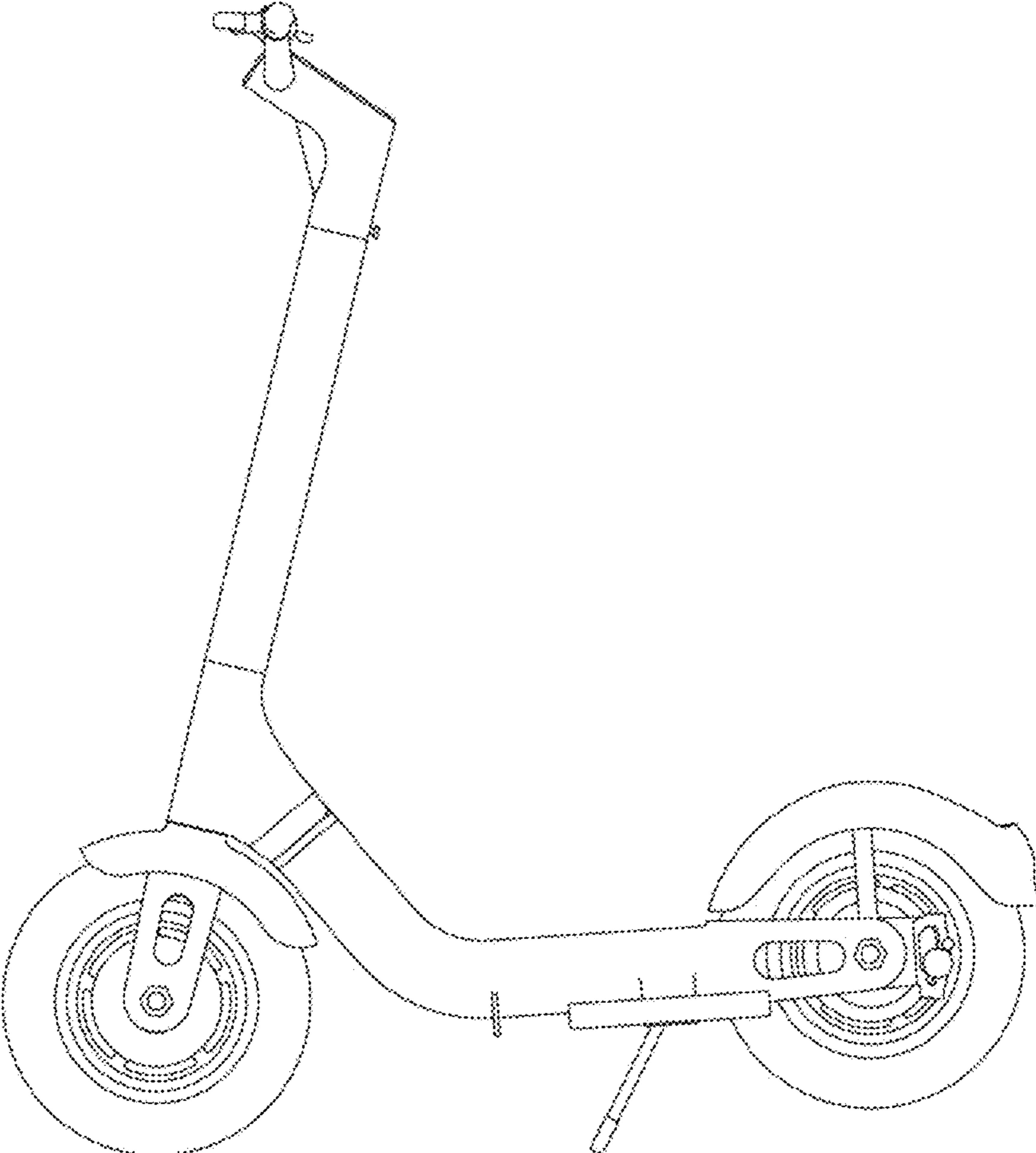
1. Electric scooter
FIG. 1.1 is a left side view of an electric scooter;
FIG. 1.2 is a right side view thereof;
FIG. 1.3 is another right side view thereof;
FIG. 1.4 is a left side perspective view thereof;
FIG. 1.5 is a right side perspective view thereof;
FIG. 1.6 is a front view thereof;
FIG. 1.7 is another front view thereof;
FIG. 1.8 is a back view thereof;
FIG. 1.9 is a left side folded view thereof;
FIG. 1.10 is a right side folded view thereof;
FIG. 1.11 is a top view thereof; and
FIG. 1.12 is another top view thereof.

See application file for complete search history.

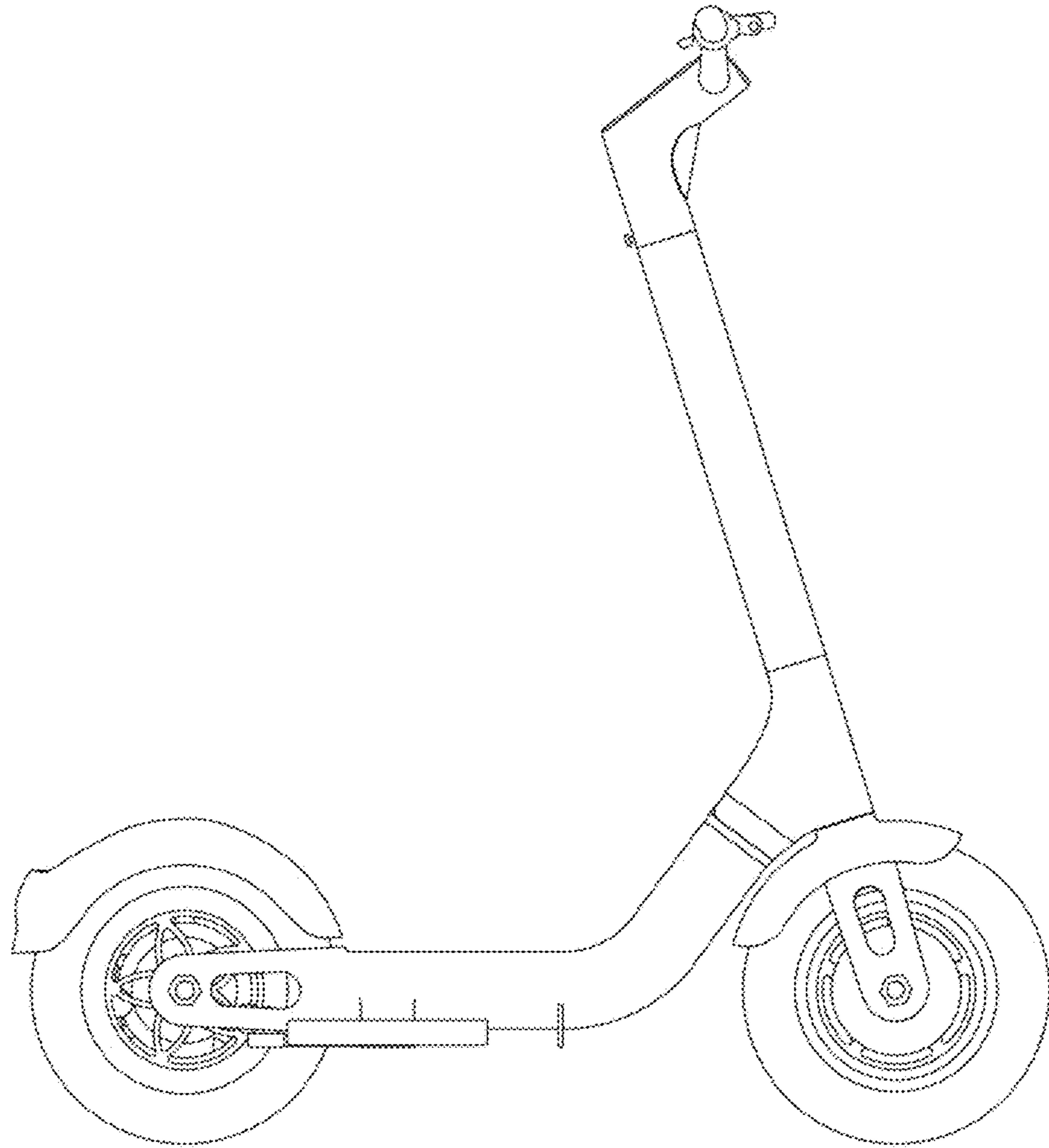
1 Claim, 12 Drawing Sheets



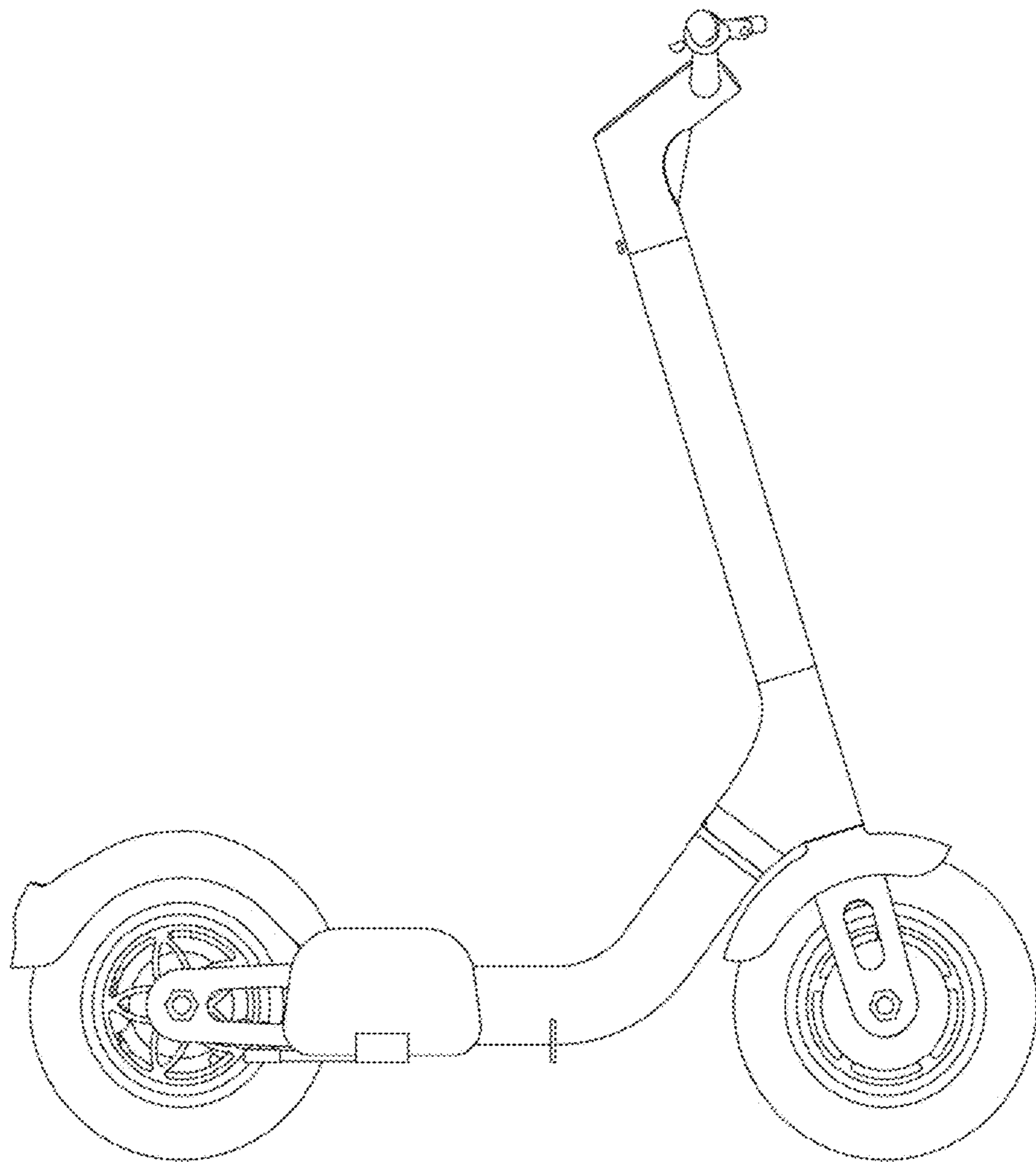
1.1



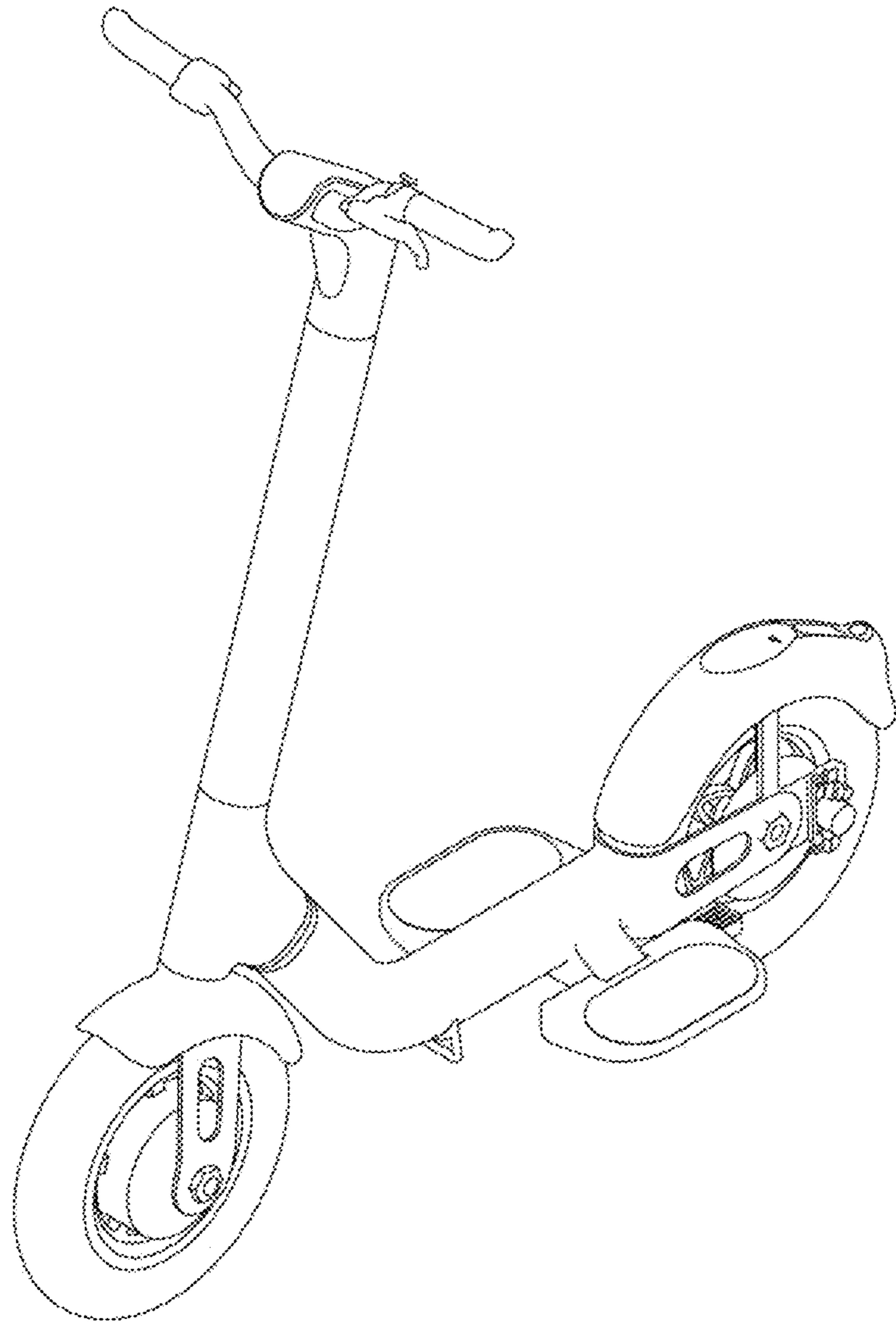
1.2



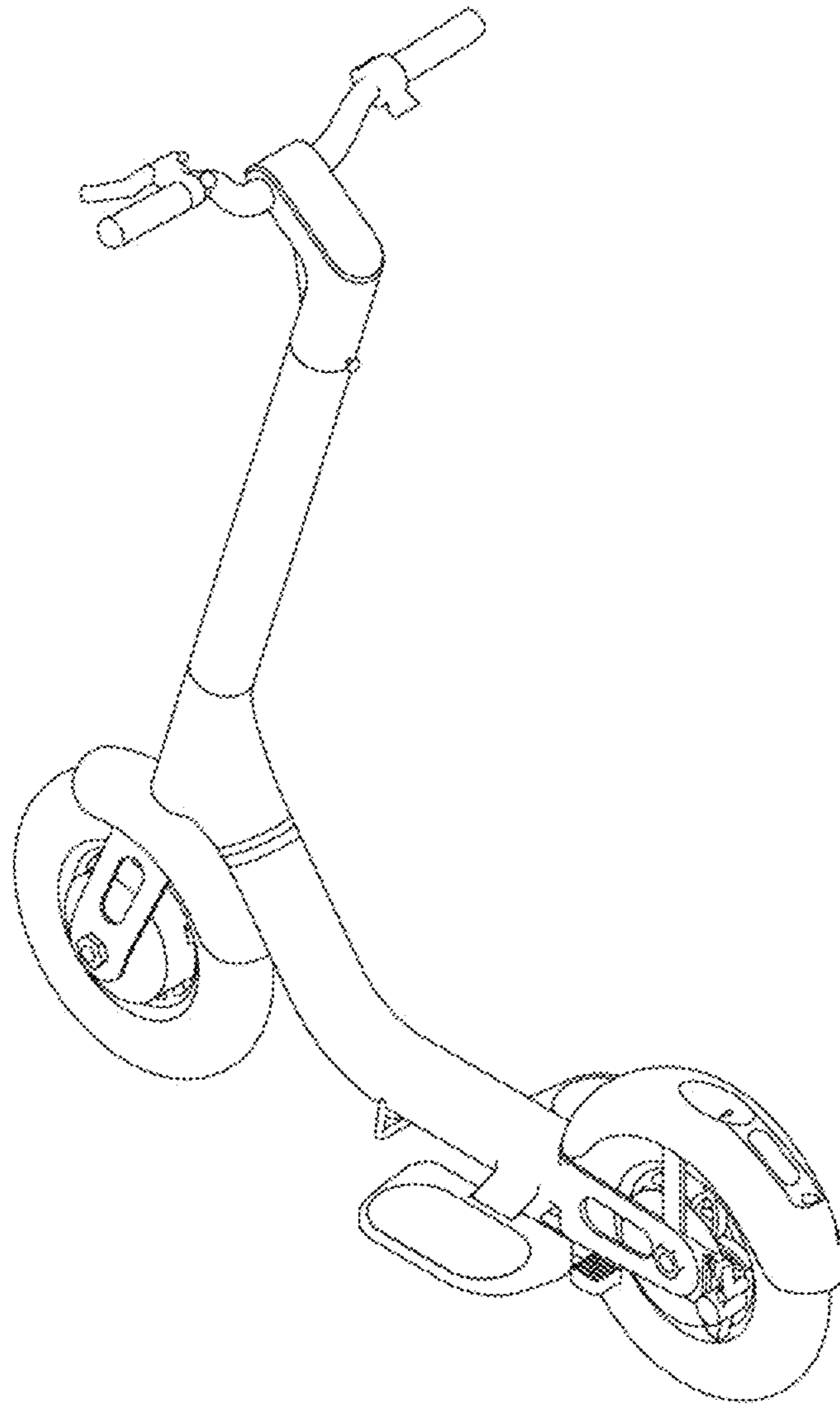
1.3



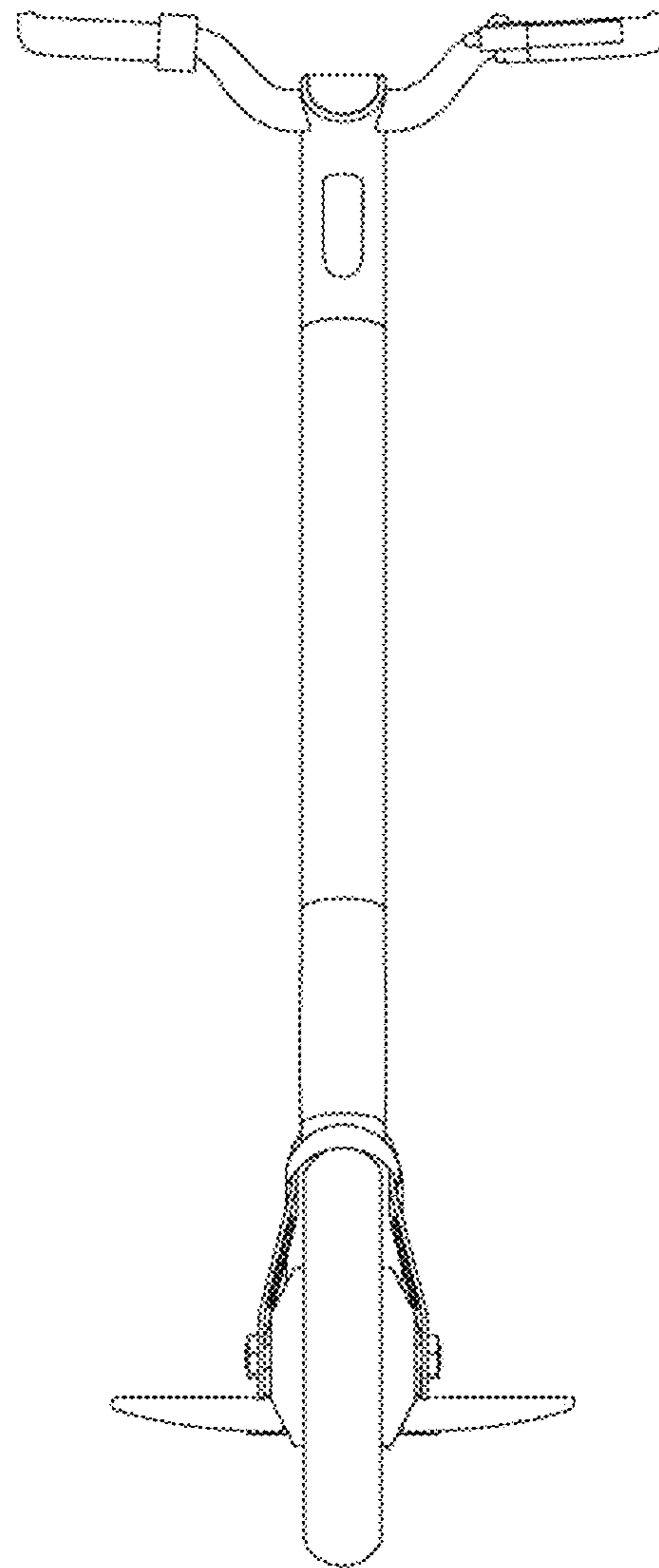
1.4



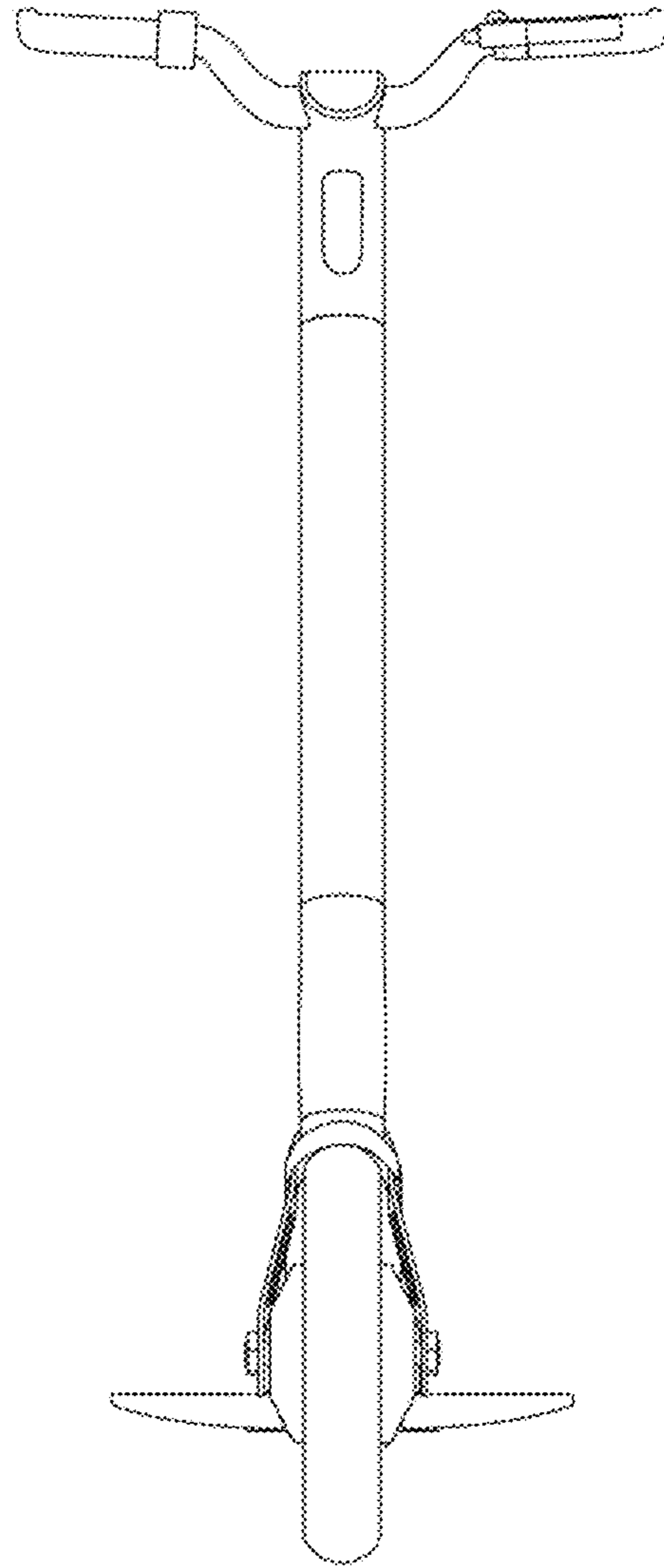
1.5



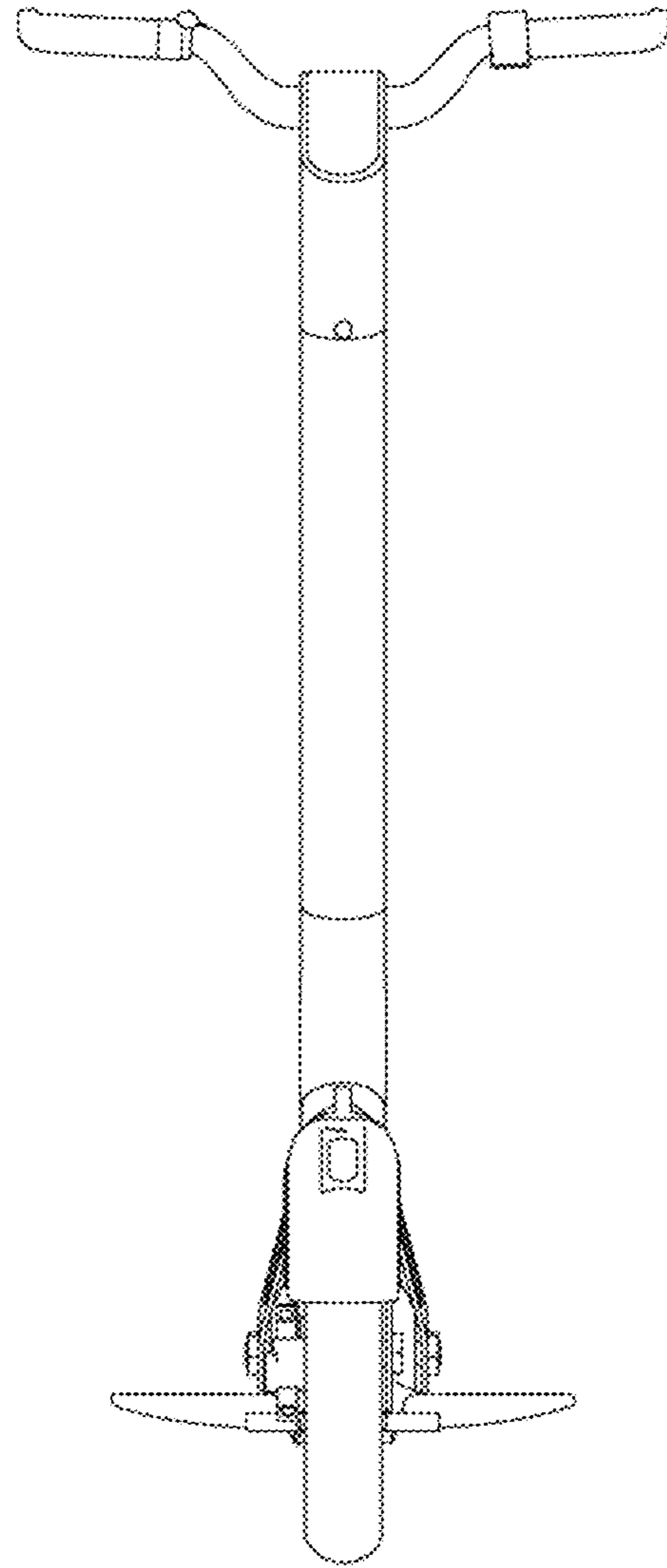
1.6



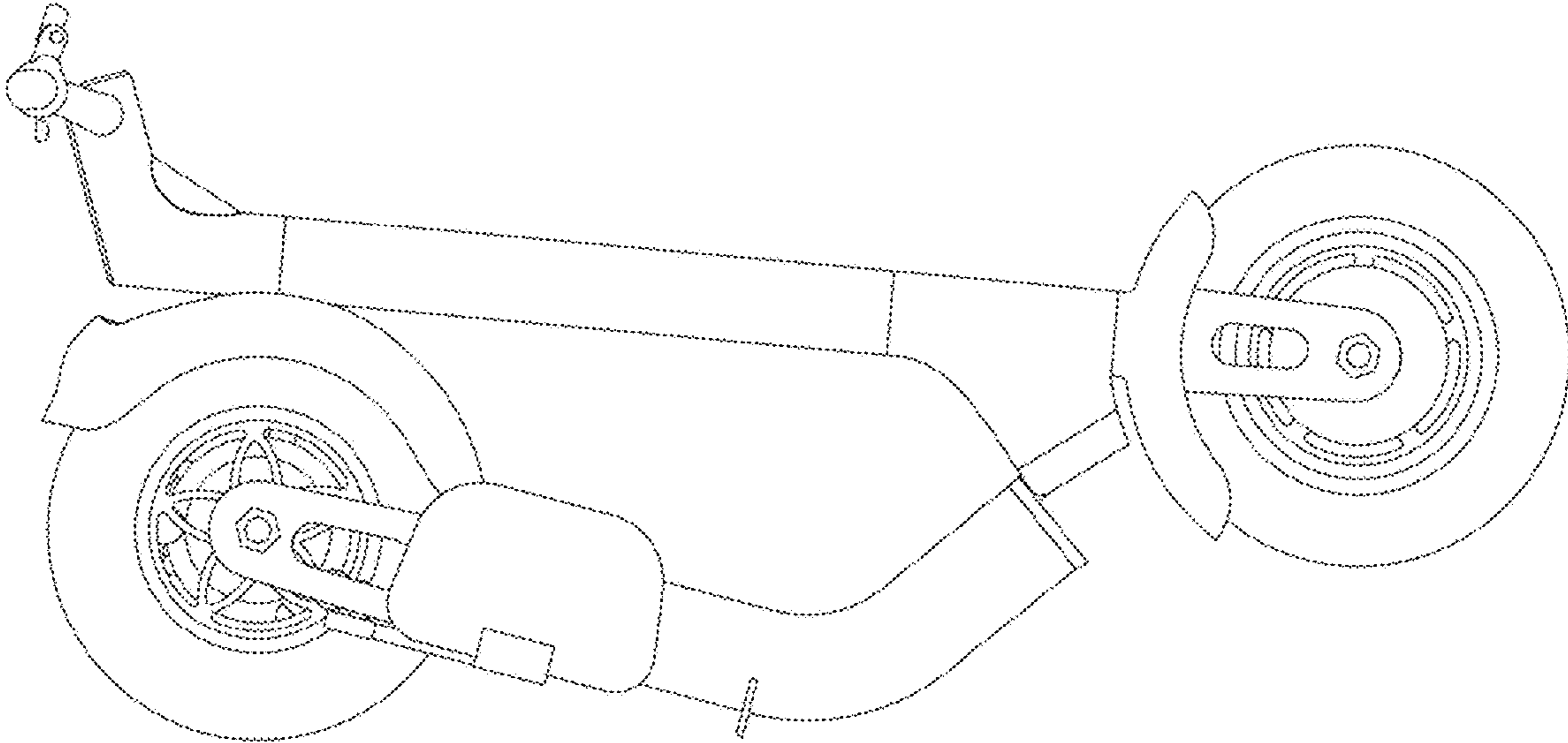
1.7



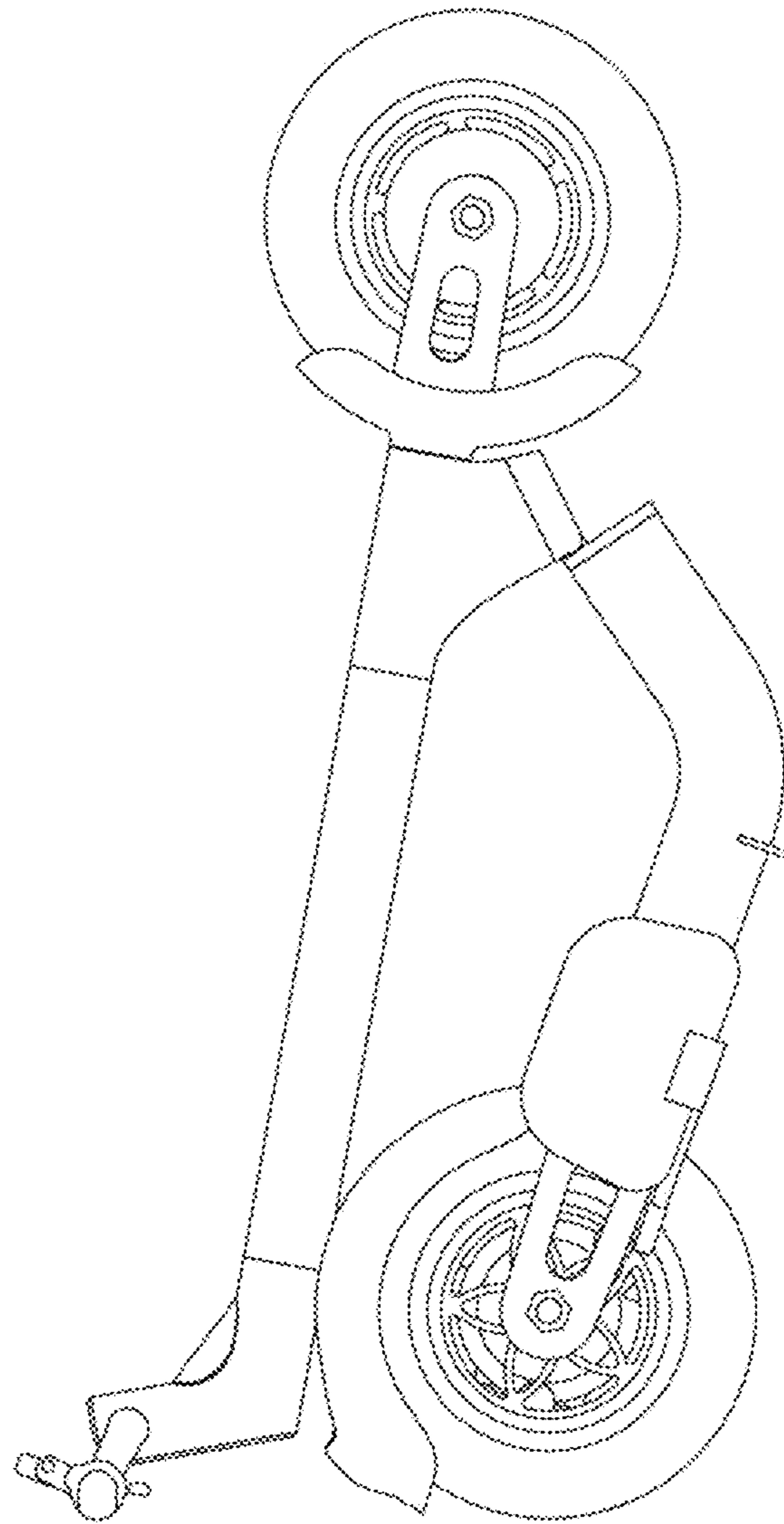
1.8



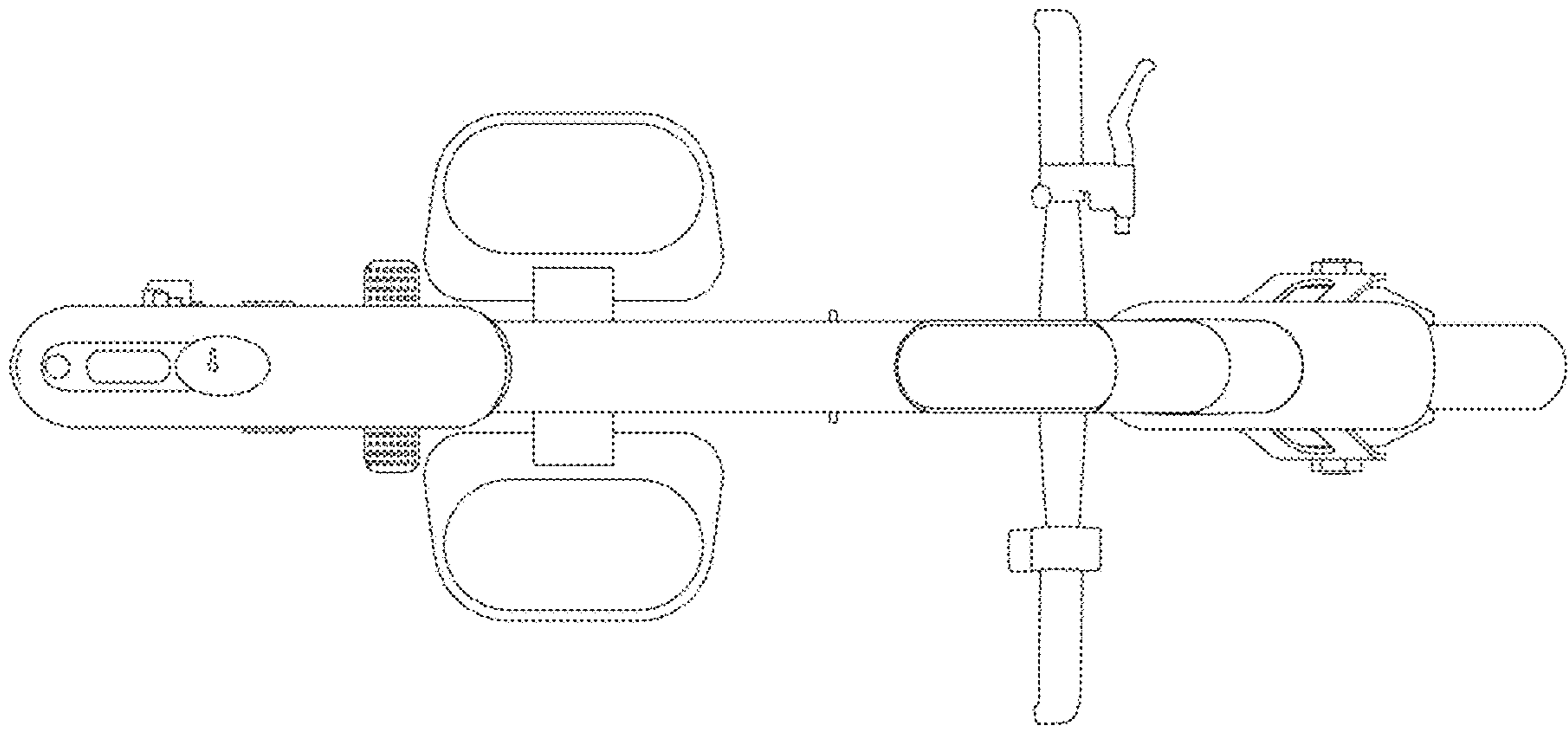
1.9



1.10



1.11



1.12

