



US00D953439S

(12) **United States Design Patent**
Wang

(10) **Patent No.:** **US D953,439 S**

(45) **Date of Patent:** **** May 31, 2022**

(54) **GAMEPAD**

(71) Applicant: **Sen Wang**, Shenzhen (CN)

(72) Inventor: **Sen Wang**, Shenzhen (CN)

(**) Term: **15 Years**

(21) Appl. No.: **29/804,454**

(22) Filed: **Aug. 20, 2021**

(51) **LOC (13) Cl.** **21-01**

(52) **U.S. Cl.**

USPC **D21/333**

(58) **Field of Classification Search**

USPC D21/324–29, 330, 331, 333, 341, 342,
D21/349, 386; D14/137, 138, 160, 168,
D14/174, 177, 190, 217, 218, 250, 299,
D14/322, 341, 345, 346, 353, 354, 356,
D14/387, 388, 389, 399–401, 412–416,
D14/421, 432, 440, 443, 449, 450, 454,
D14/463, 471, 474, 483, 493, 496, 511;
D22/100, 103–105; D13/162, 162.1, 168;
D10/78, 98, 103; D12/174, 177, 190,
D12/218; D18/10

CPC .. A63F 9/02; A63F 9/24; A63F 9/0291; A63F
9/0252; A63F 13/00; A63F 13/23; A63F
13/24; A63F 13/26; A63F 13/98; A63F
13/02; A63F 13/12

See application file for complete search history.

(56) **References Cited**

U.S. PATENT DOCUMENTS

D658,179 S *	4/2012	Ikeda	D14/401
D708,615 S *	7/2014	Delrue	D14/401
D736,762 S *	8/2015	Lovoi	D14/401
D786,870 S *	5/2017	Coe	D14/401
D794,129 S *	8/2017	Kujawski	D14/401
D794,717 S *	8/2017	Kujawski	D14/401
D795,961 S *	8/2017	Chatterjee	D14/401

D799,599 S *	10/2017	Kujawski	D21/333
D799,600 S *	10/2017	Chatterjee	D21/333
D823,945 S *	7/2018	Falc	D14/416
D847,903 S *	5/2019	Chatterjee	D21/333
D849,147 S *	5/2019	Strahle	D21/333
D853,384 S *	7/2019	Fulghum et al.	
D867,460 S *	11/2019	Yan	D21/333
D872,183 S *	1/2020	Chatterjee	D21/333
D872,184 S *	1/2020	Chatterjee	D21/333
D875,180 S *	2/2020	Wang	
D885,387 S *	5/2020	Hu	D14/401
D905,168 S *	12/2020	Chatterjee	D21/333
D907,119 S *	1/2021	Zhou	D21/333
D909,482 S *	2/2021	Whitaker	D14/401
D909,483 S *	2/2021	Whitaker	D14/401
D909,486 S *	2/2021	Whitaker	D14/401
D909,487 S *	2/2021	Whitaker	D21/333
D912,734 S *	3/2021	Yang	D21/333

(Continued)

Primary Examiner — Mehri F Bajoul

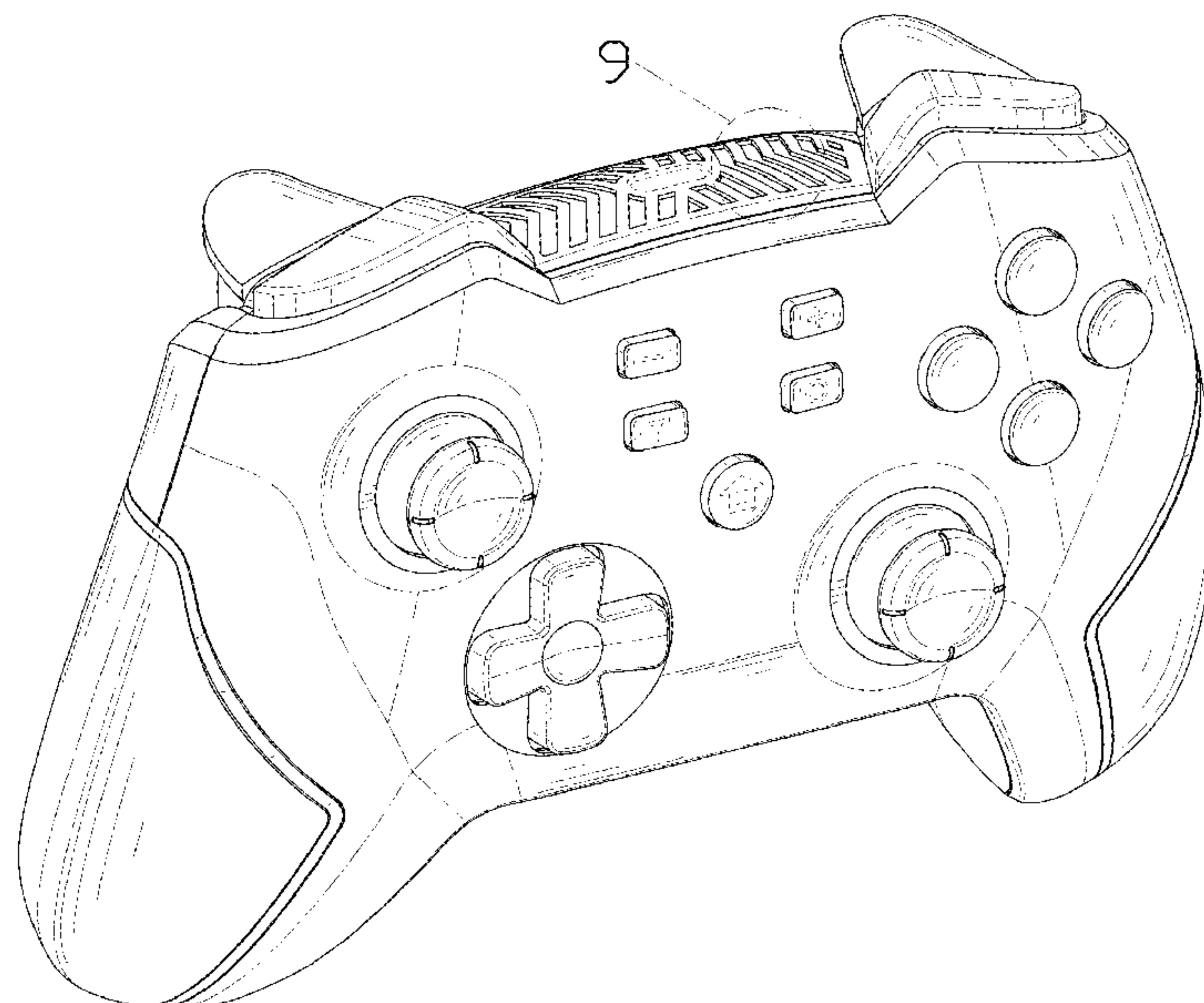
(57) **CLAIM**

The ornamental design for a gamepad, as shown and described.

DESCRIPTION

FIG. 1 is a perspective view of a gamepad showing my new design;
FIG. 2 is another perspective view thereof;
FIG. 3 is a front elevational view thereof;
FIG. 4 is a rear elevational view thereof;
FIG. 5 is a left side elevational view thereof;
FIG. 6 is a right side elevational view thereof;
FIG. 7 is a top plan view thereof;
FIG. 8 is a bottom plan view thereof; and,
FIG. 9 is an enlarged view of portion 9 shown in FIG. 1.
The dash-dash broken lines in the drawings depict portions of the gamepad that form no part of the claimed design. The dot-dash broken lines represent boundaries of the enlarged portion and form no part of the claimed design.

1 Claim, 9 Drawing Sheets



(56)

References Cited

U.S. PATENT DOCUMENTS

D921,116 S *	6/2021	Zhou	D21/333
D923,097 S *	6/2021	Zhao	D21/333
D923,098 S *	6/2021	Zhao	D21/333
D924,978 S *	7/2021	Chatterjee	D21/333
D926,887 S *	8/2021	Yang	D21/333
D928,235 S *	8/2021	Paterson	D21/333
D928,880 S *	8/2021	Yu	D21/333
D940,244 S *	1/2022	Zhou	D21/333
D947,946 S *	4/2022	Luo	D21/333
D947,948 S *	4/2022	Ma	D21/333

* cited by examiner

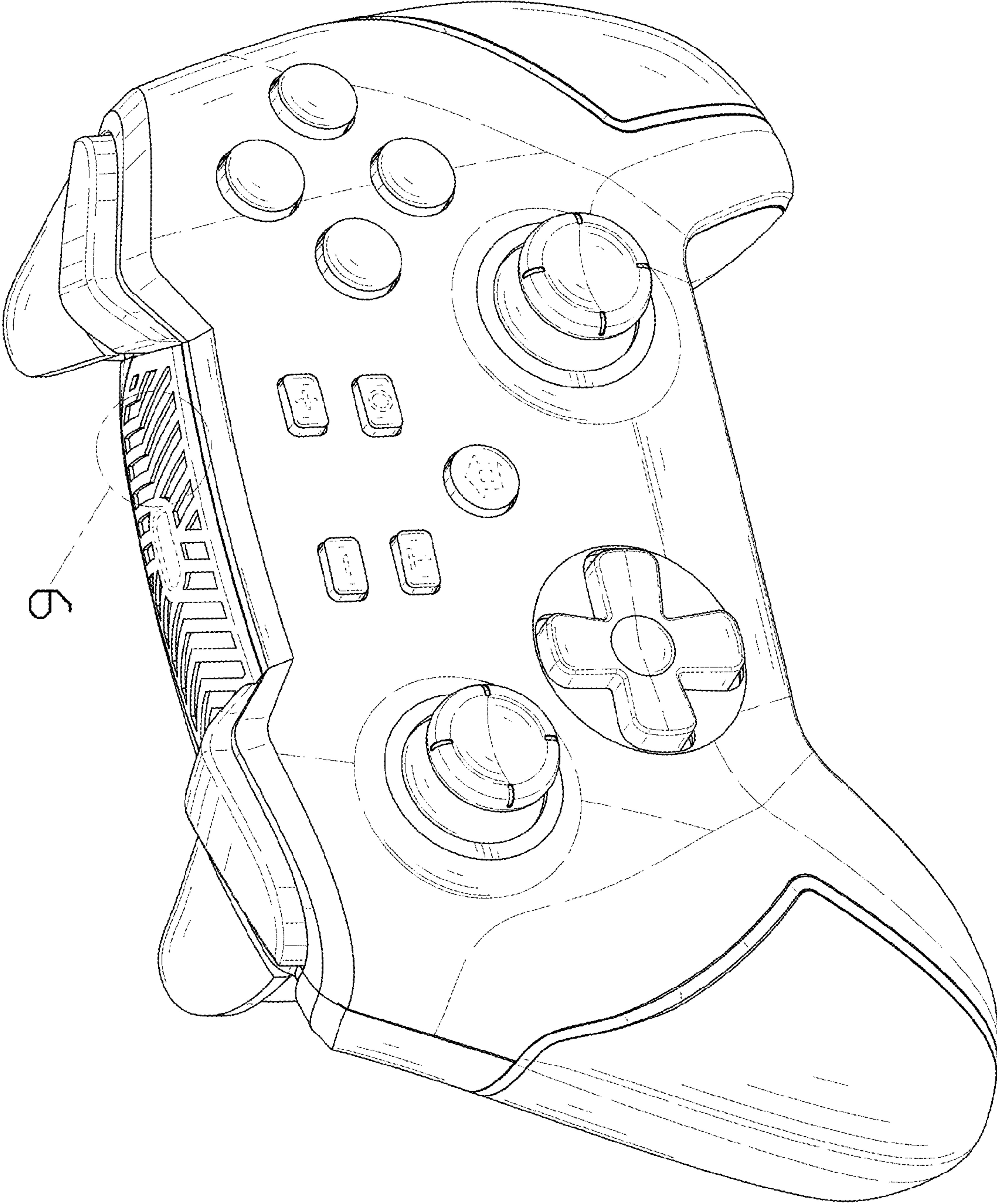


FIG. 1

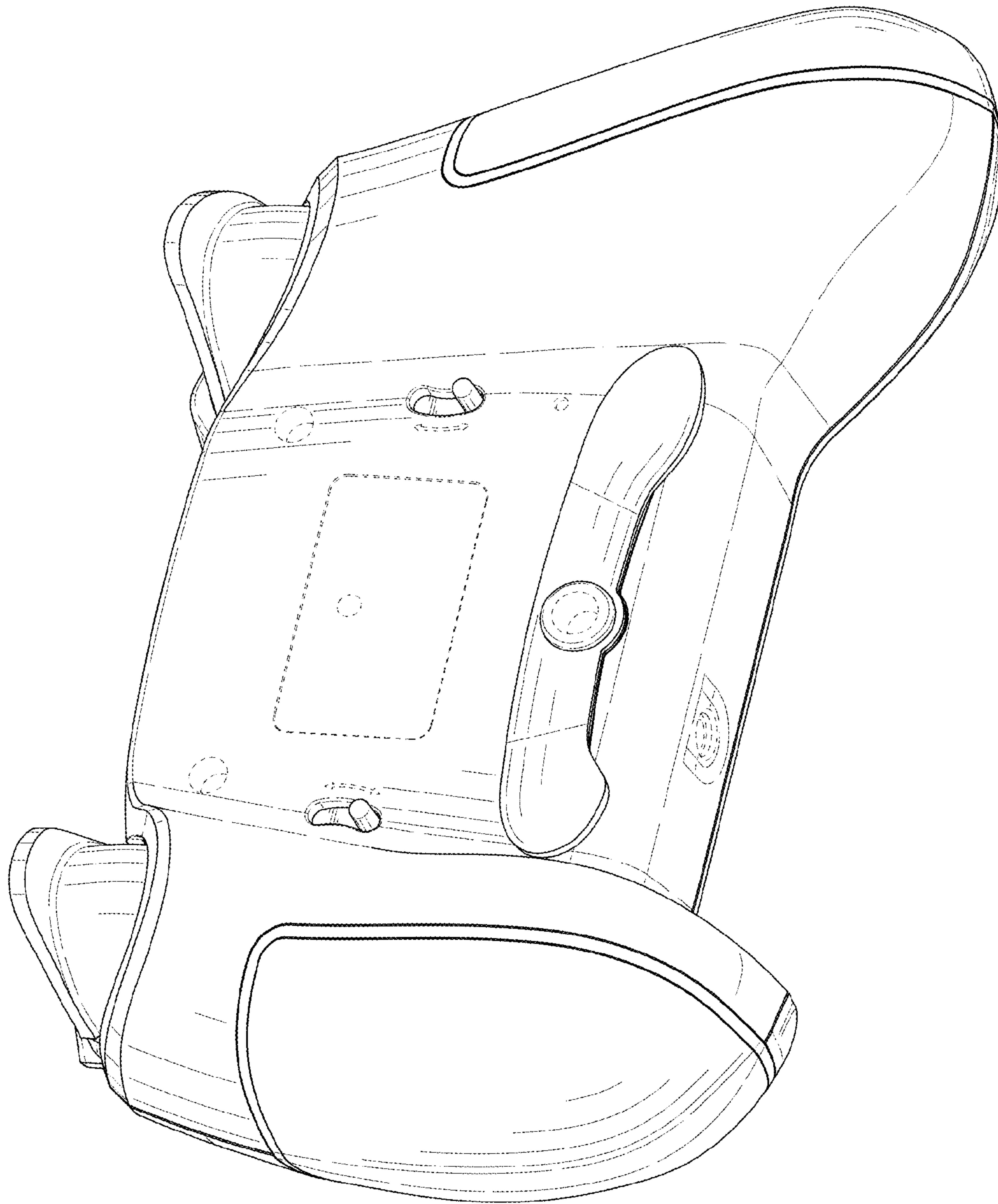


FIG. 2

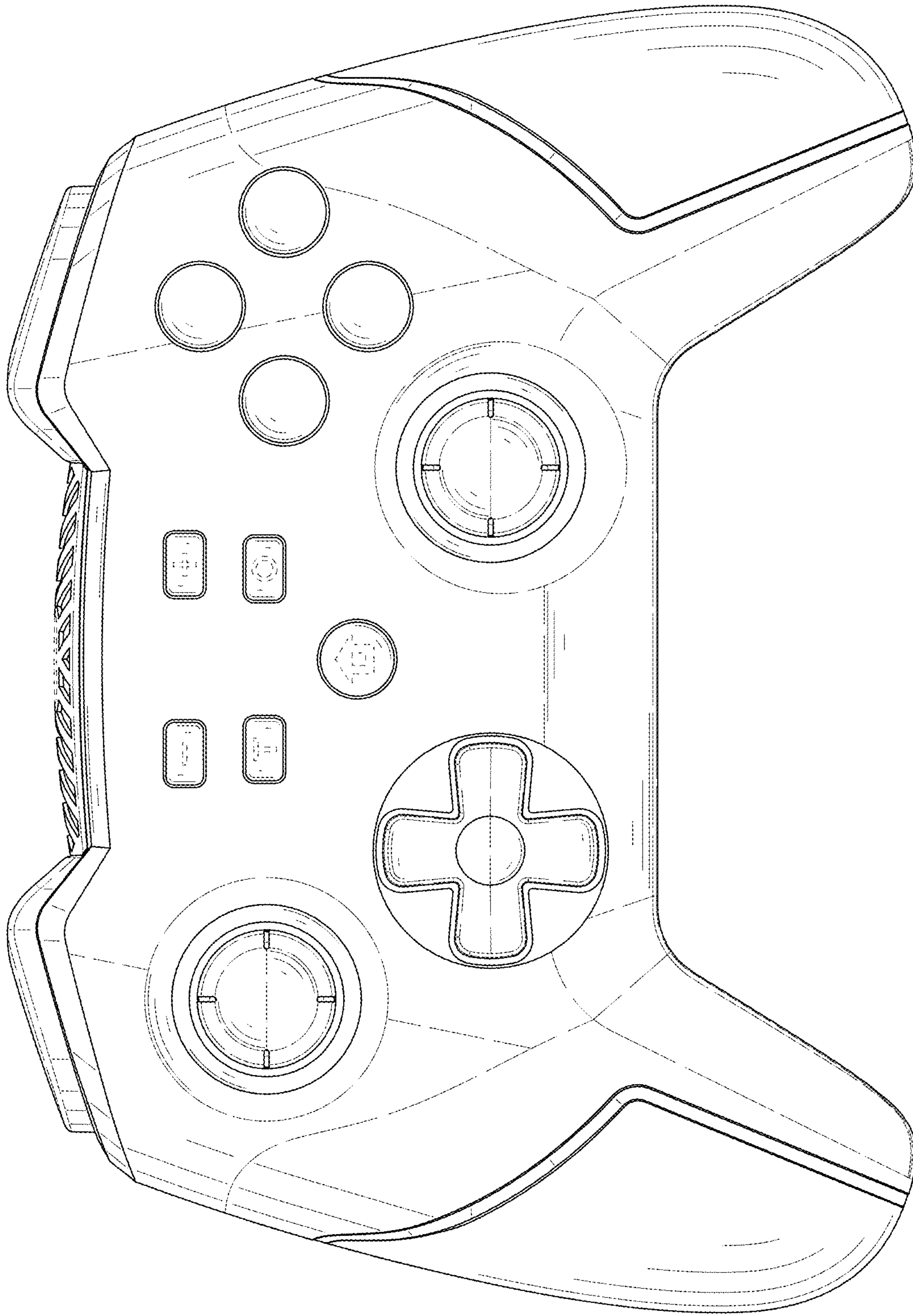


FIG. 3

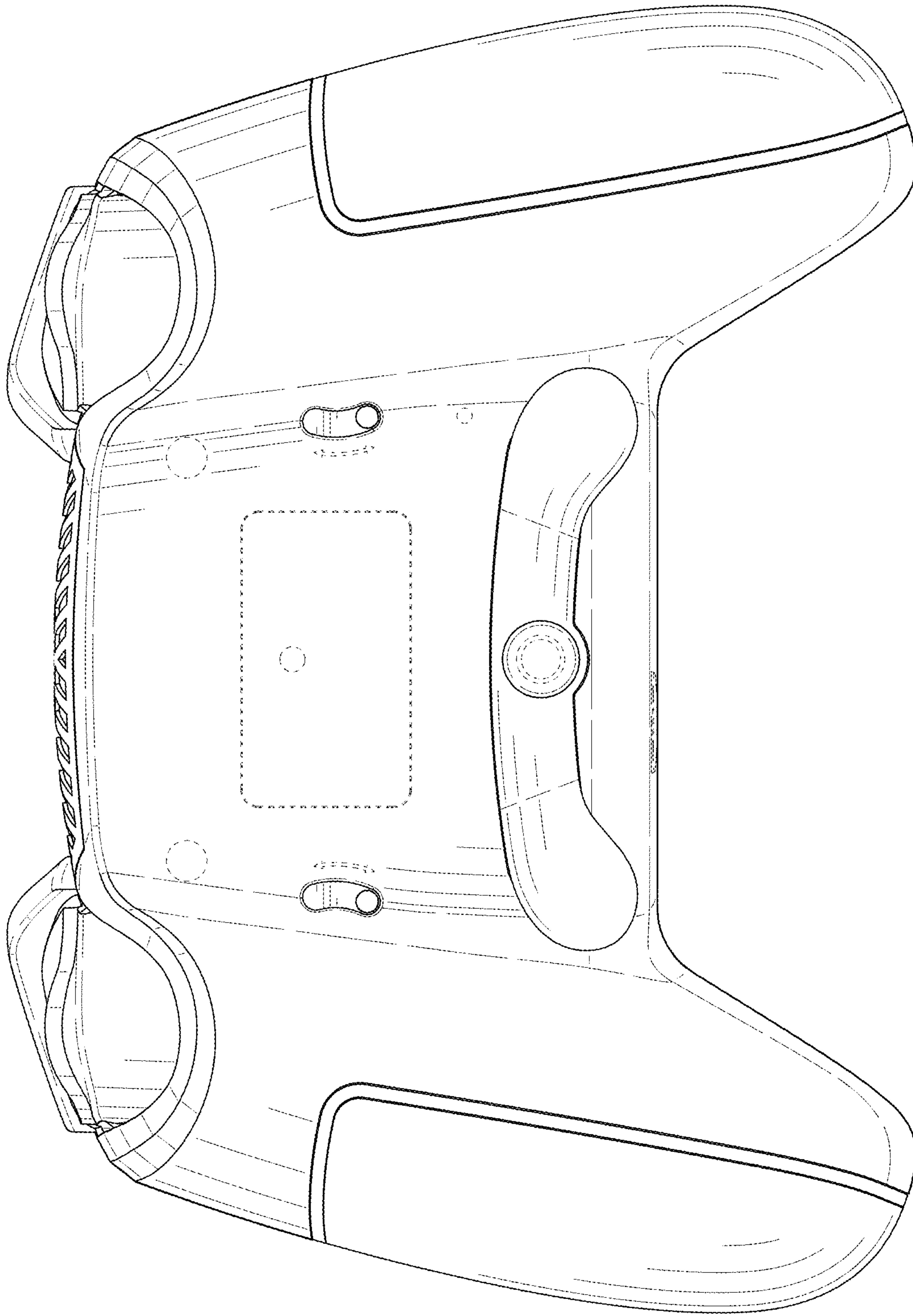


FIG. 4

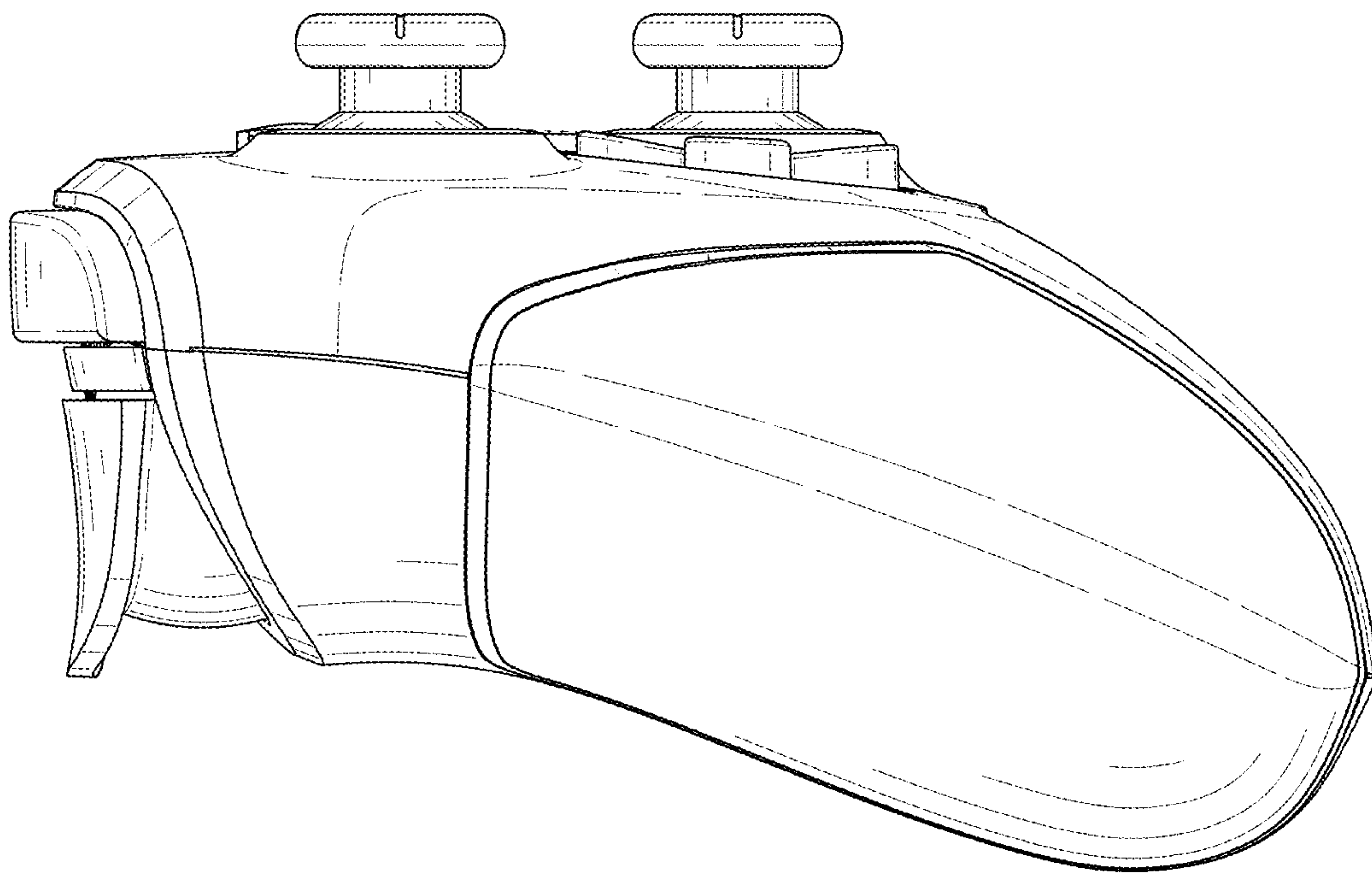


FIG. 5

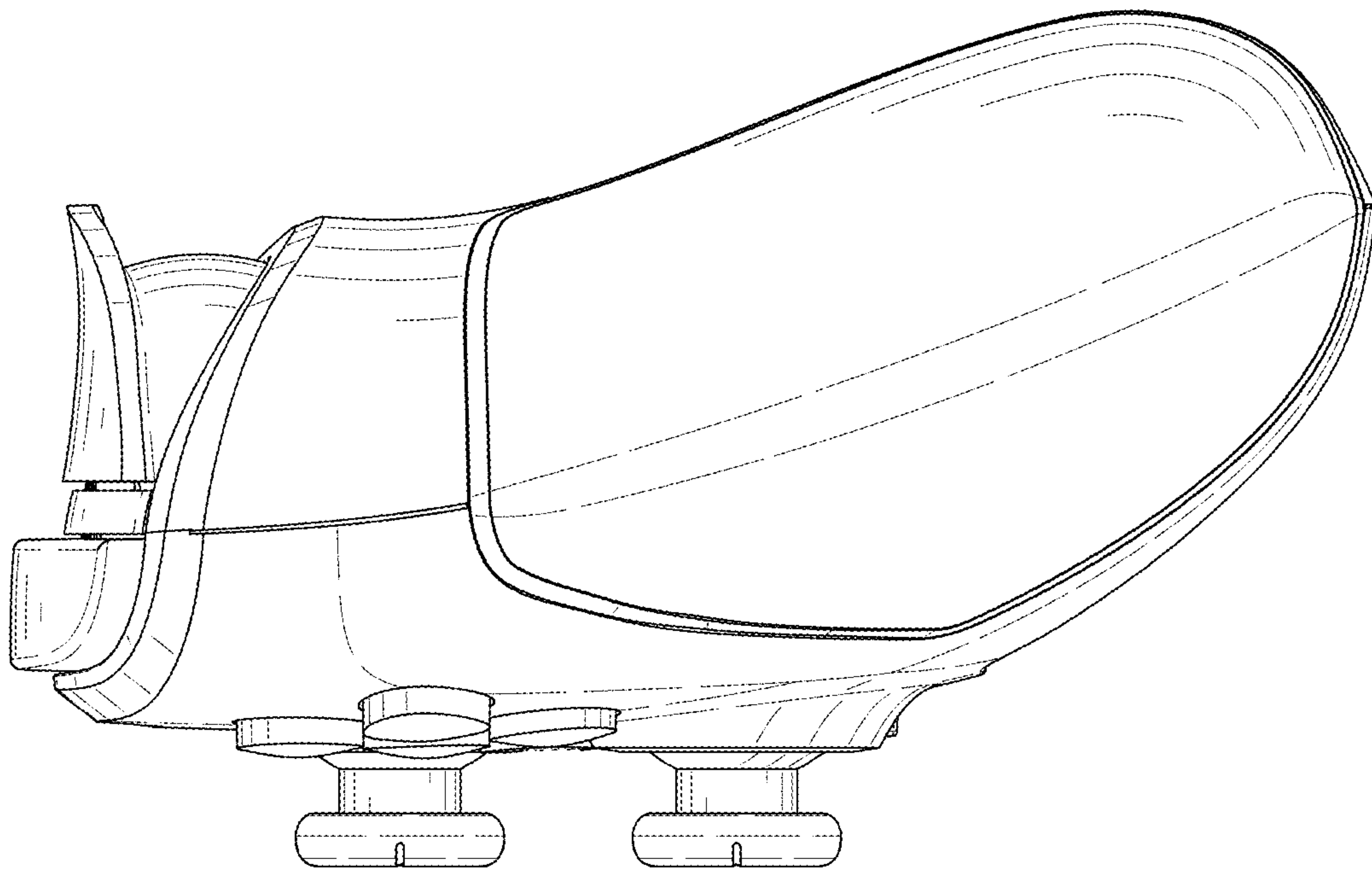


FIG. 6

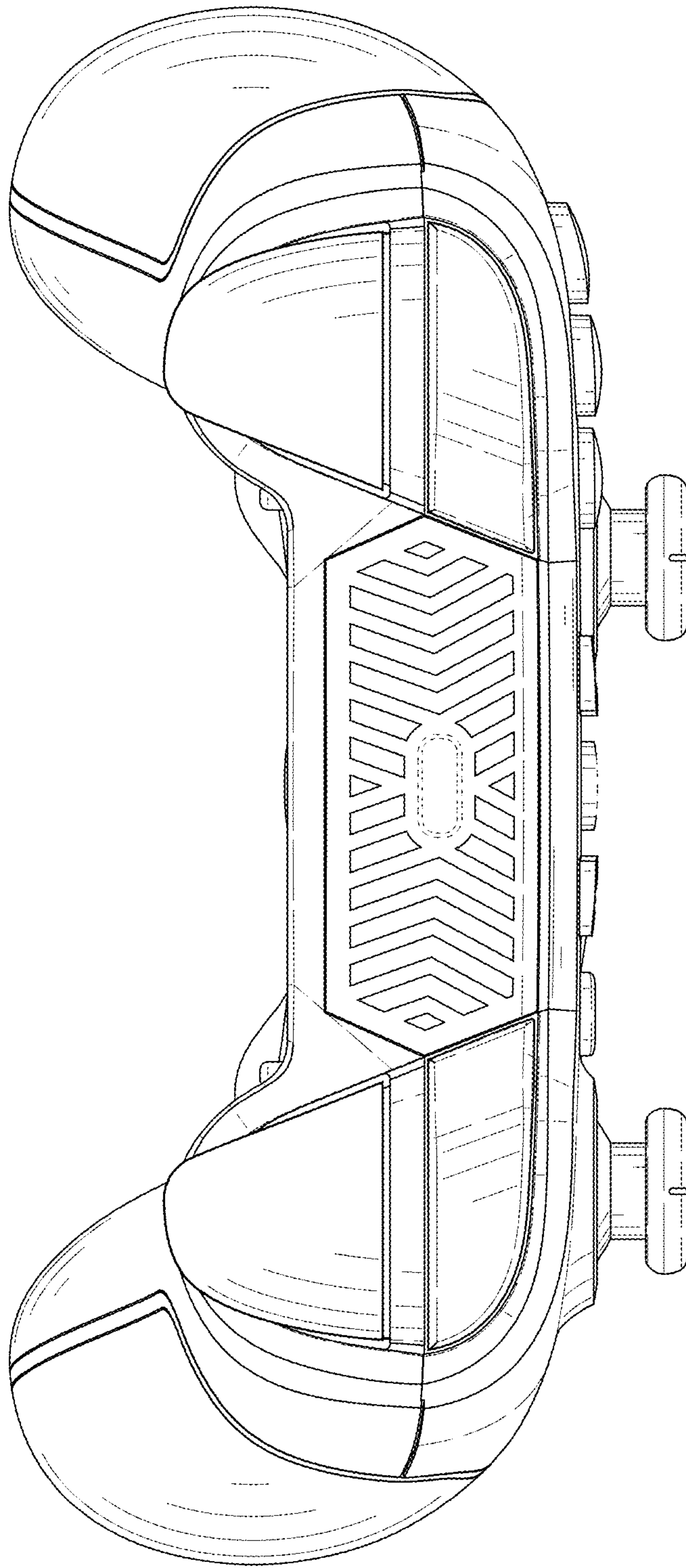


FIG. 7

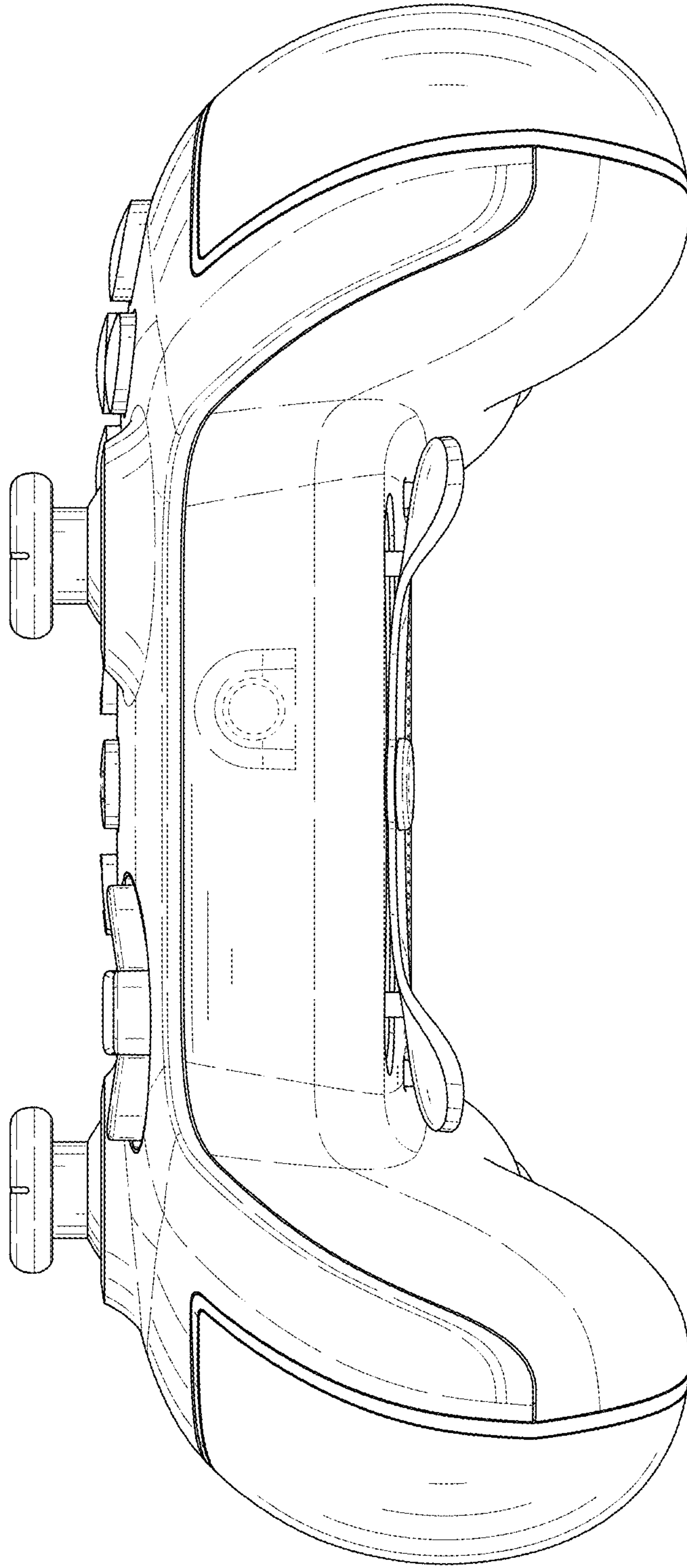


FIG. 8

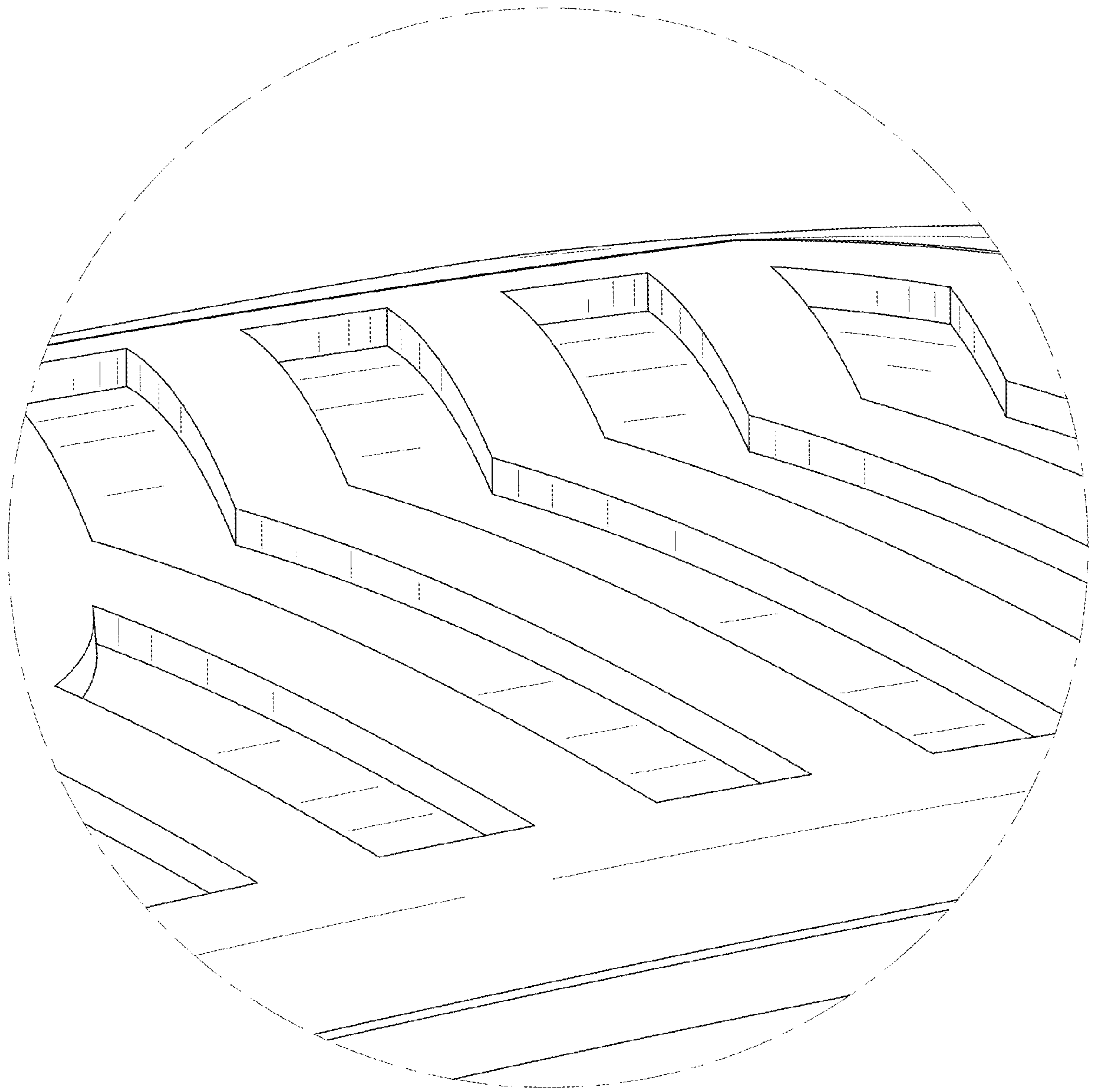


FIG. 9