



US00D953437S

(12) **United States Design Patent** (10) **Patent No.:** **US D953,437 S**  
**Hu** (45) **Date of Patent:** **\*\* May 31, 2022**

(54) **GAME CONTROLLER**

(71) Applicant: **Shenzhen Qixiong Technology Co., Ltd, Shenzhen (CN)**

(72) Inventor: **Xiaochen Hu, Shenzhen (CN)**

(\*\*) Term: **15 Years**

(21) Appl. No.: **29/764,546**

(22) Filed: **Dec. 30, 2020**

(51) **LOC (13) Cl.** ..... **21-01**

(52) **U.S. Cl.**  
USPC ..... **D21/333**

(58) **Field of Classification Search**  
USPC ..... D21/325, 326, 327, 333, 324, 328, 332, D21/566, 329, 330, 694; D14/401, 400, D14/454, 412, 496, 416, 418, 413, 203.3, D14/203.5, 218, 415, 252, 414, 419, 457, D14/203, 203.1, 203.7, 204, 217, 240, D14/253, 333, 342, 357, 358, 388, 403, D14/434, 455, 456, 410, 492, 258, 301, D14/393, 432, 489  
CPC ..... G06F 1/1666; G06F 17/00; G06F 19/00; A63F 9/24; A63F 13/00; A63F 13/23; A63F 13/235; A63F 13/24; A63F 13/26; A63F 13/843; A63F 13/98; A63F 13/323; A63F 2009/2488; A63F 2009/2407; A63F 2250/52

See application file for complete search history.

(56) **References Cited**

**U.S. PATENT DOCUMENTS**

D875,180 S \* 2/2020 Wang ..... D21/333  
D882,693 S \* 4/2020 Ehara ..... D21/333  
D884,796 S \* 5/2020 Zhou ..... D14/401  
2016/0361627 A1 \* 12/2016 Fujita ..... A63F 13/21  
2017/0239569 A1 \* 8/2017 Shiraiwa ..... A63F 13/285  
2017/0354865 A1 \* 12/2017 Akifusa ..... A63F 13/219  
2018/0178121 A1 \* 6/2018 Yamashita ..... A63F 13/23

2018/0193730 A1 \* 7/2018 Oizumi ..... A63F 13/42  
2018/0193731 A1 \* 7/2018 Oizumi ..... A63F 13/92  
2018/0193740 A1 \* 7/2018 Oizumi ..... A63F 13/2145  
2018/0193757 A1 \* 7/2018 Kyuma ..... A63F 13/285  
2018/0200620 A1 \* 7/2018 Yamashita ..... A63F 13/92  
2019/0030423 A1 \* 1/2019 Onozawa ..... A63F 13/98  
2019/0262702 A1 \* 8/2019 Fujita ..... A63F 13/235  
2019/0358529 A1 \* 11/2019 Takei ..... A63F 13/92  
2019/0366211 A1 \* 12/2019 Suzuki ..... A63F 13/5255  
2020/0114253 A1 \* 4/2020 Maruyama ..... A63F 13/54

(Continued)

**OTHER PUBLICATIONS**

Joy Con Controller Replacement for Nintendo Switch Controllers. Date First Available: Aug. 26, 2021. Retrieved from internet: <<https://www.amazon.com/dp/B09DPVZDCJ/>> [site visited Jan. 31, 2022] (Year: 2021).\*

(Continued)

*Primary Examiner* — Jonathan J Han  
*Assistant Examiner* — Yuan Yuan

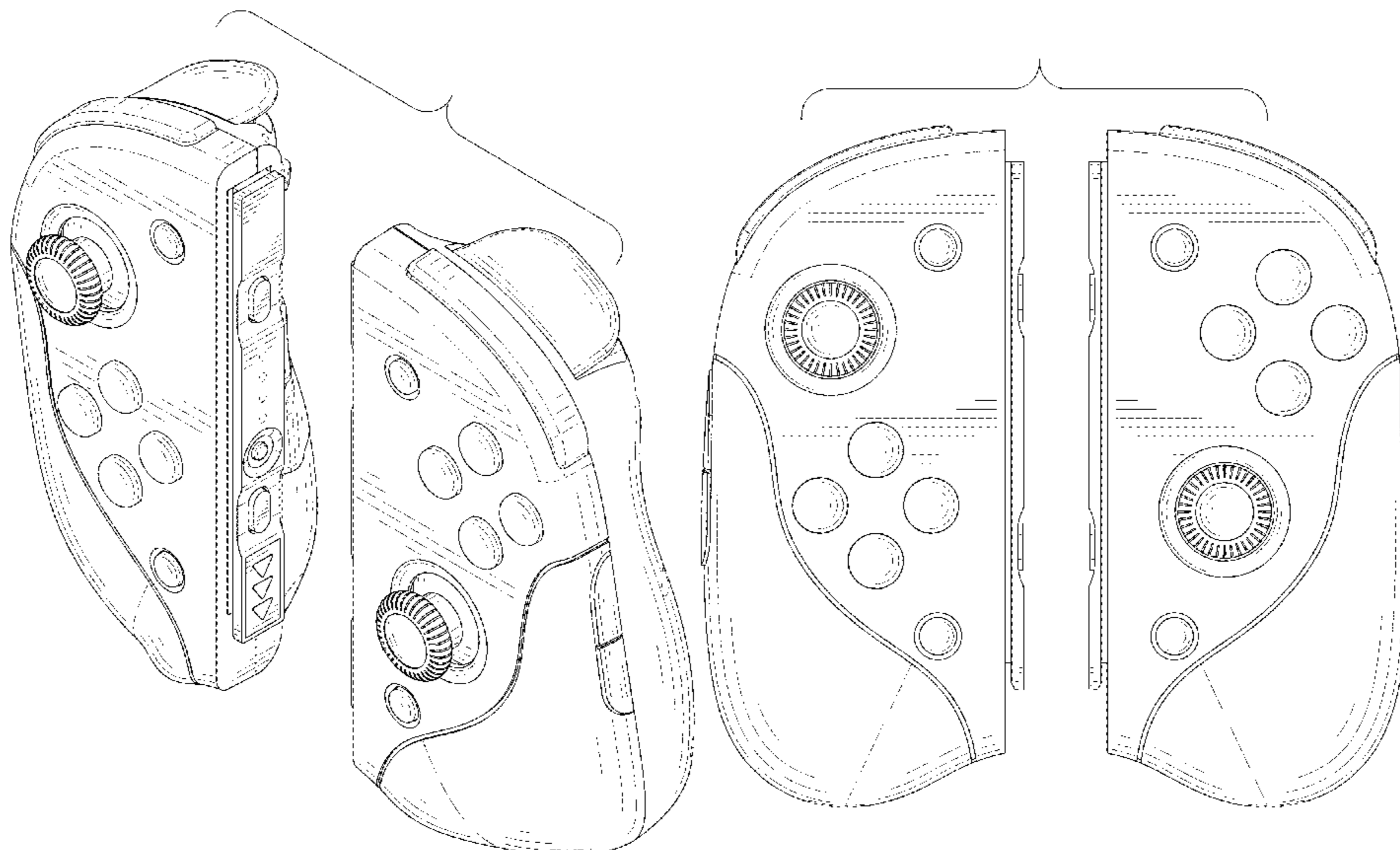
(57) **CLAIM**

The ornamental design for a game controller, as shown and described.

**DESCRIPTION**

FIG. 1 is a first perspective view of a game controller showing my new design;  
FIG. 2 is a second perspective view thereof;  
FIG. 3 is a front view thereof;  
FIG. 4 is a back view thereof;  
FIG. 5 is a left side view thereof;  
FIG. 6 is a right side view thereof;  
FIG. 7 is a top view thereof; and,  
FIG. 8 is a bottom view thereof.  
The broken lines shown in the drawings depict portions of the game controller in which the design is embodied that form no part of the claimed design.

**1 Claim, 8 Drawing Sheets**



(56)

**References Cited**

U.S. PATENT DOCUMENTS

2020/0269129 A1\* 8/2020 Kira ..... A63F 13/24  
2020/0391112 A1\* 12/2020 Yone ..... A63F 13/54

OTHER PUBLICATIONS

Replacement Controllers for Switch. Date First Available: Dec. 19, 2020. Retrieved from internet: <<https://www.amazon.com/dp/B08R1R88Q4/>> [site visited Jan. 31, 2022] (Year: 2020).\*

Nintendo Joy-Con. Date First Available: Jan. 6, 2018. Retrieved from internet: <<https://www.amazon.com/Nintendo-Joy-Neon-Pink-Green-switch/dp/B078GZM4H8/>> [site visited Jan. 31, 2022] (Year: 2018).\*

\* cited by examiner

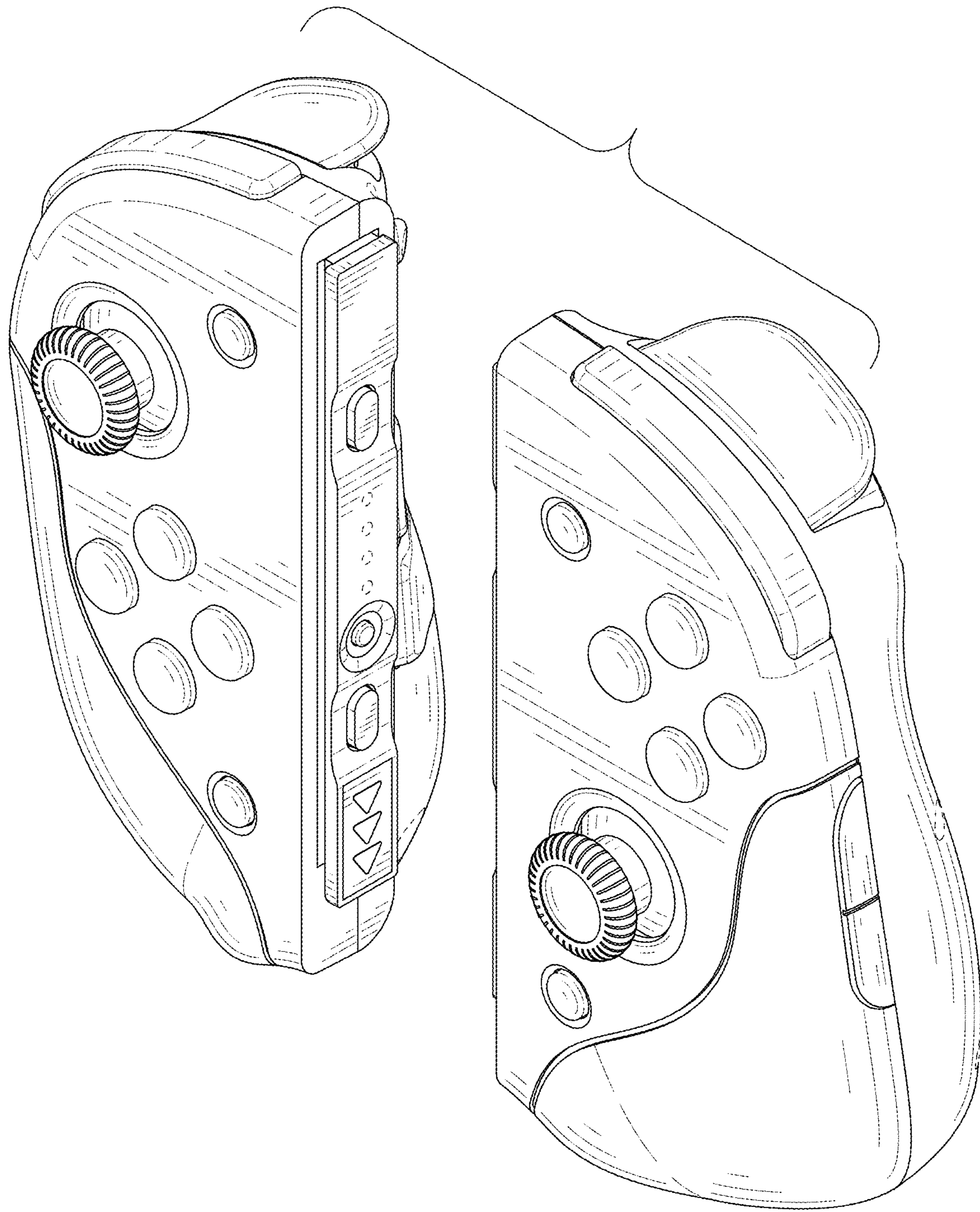


FIG. 1

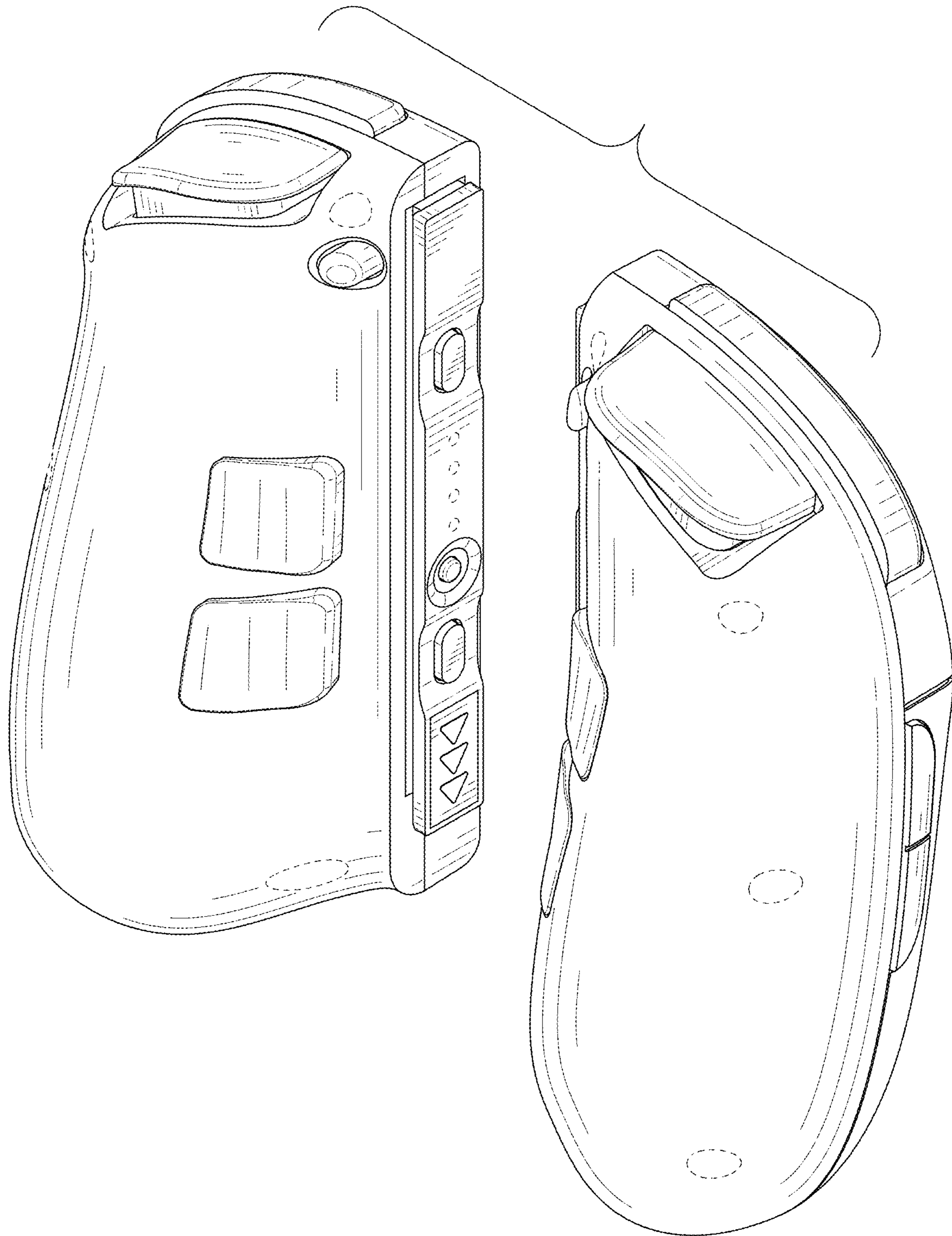


FIG. 2

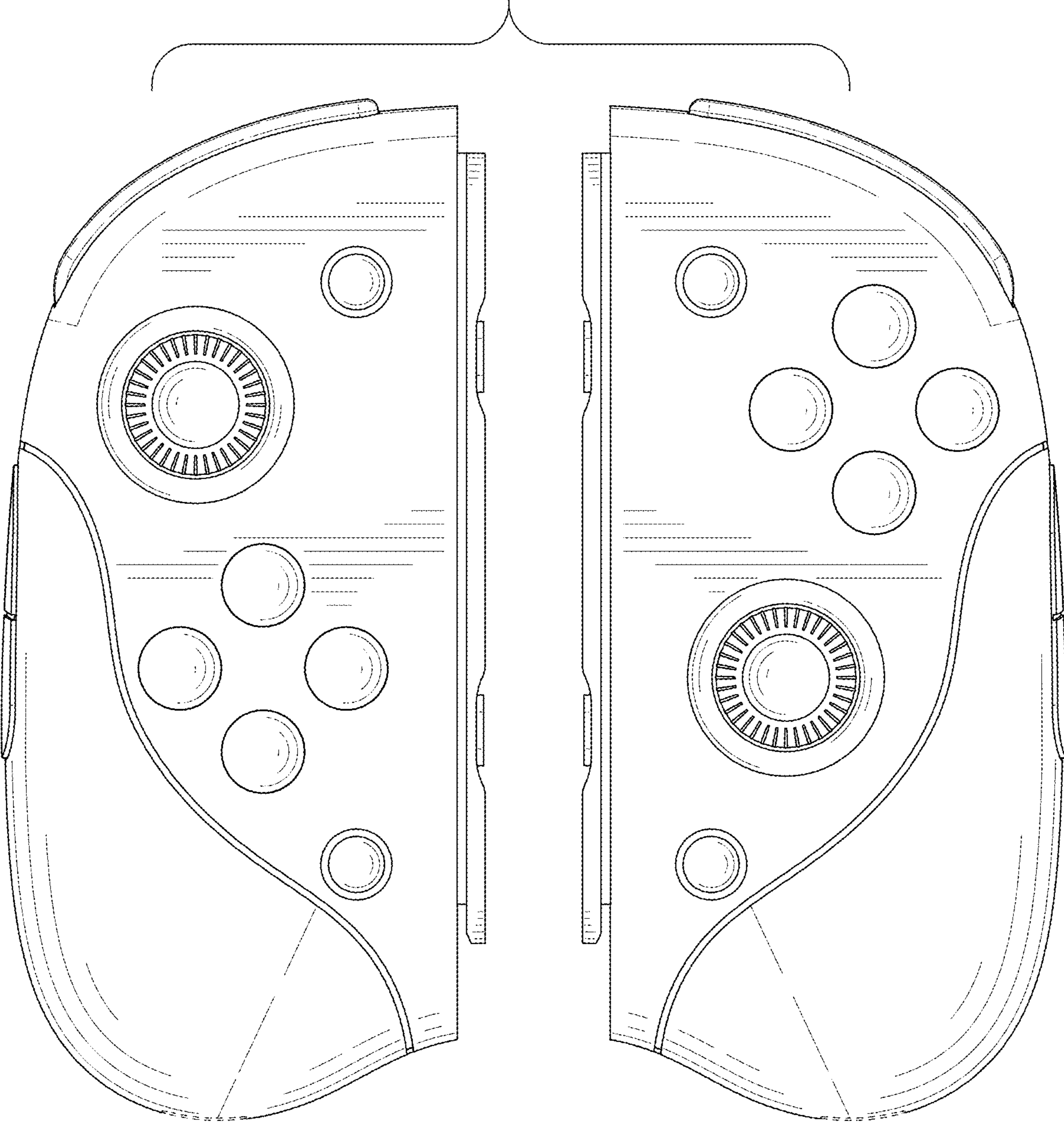


FIG. 3

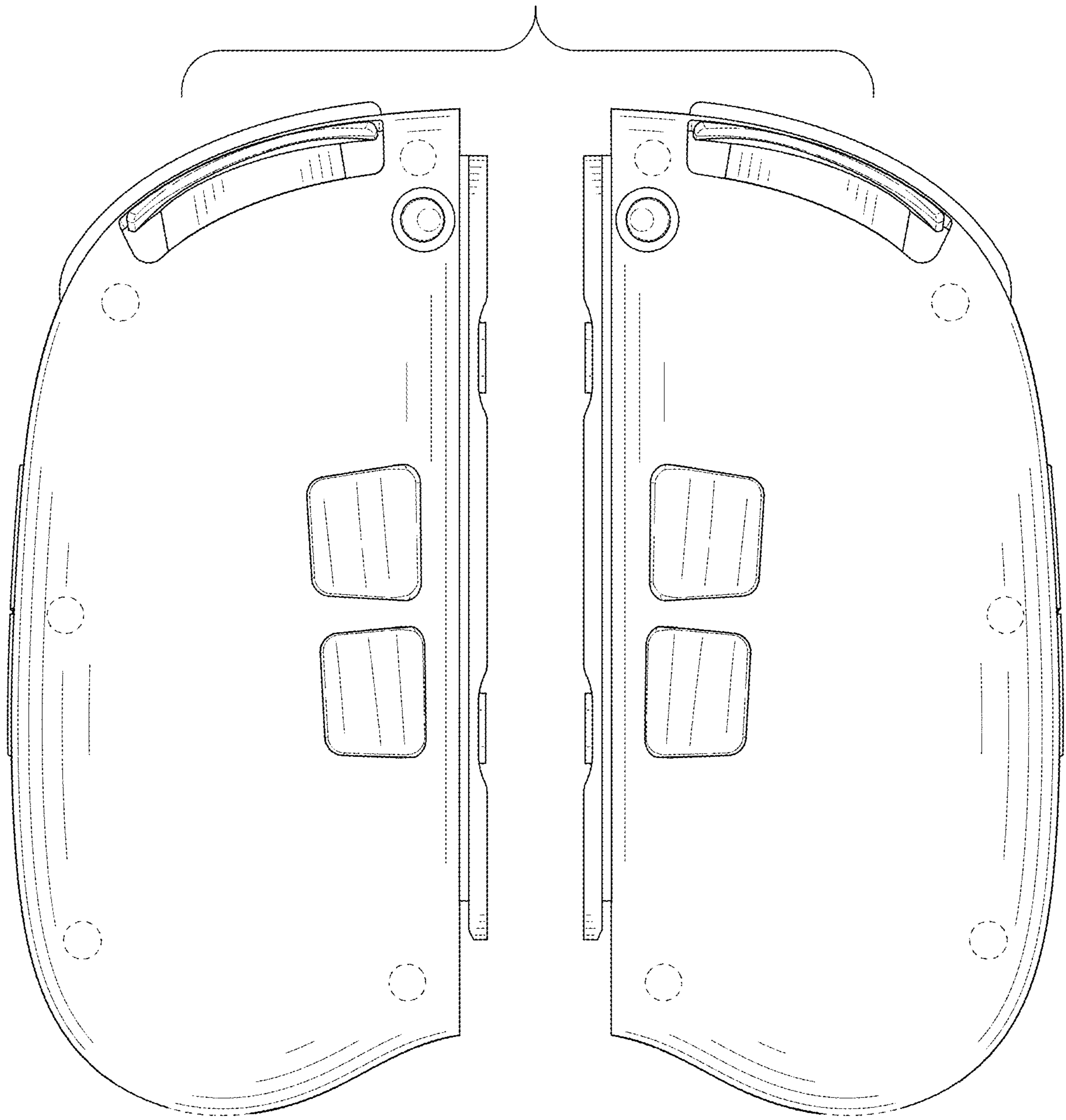


FIG. 4

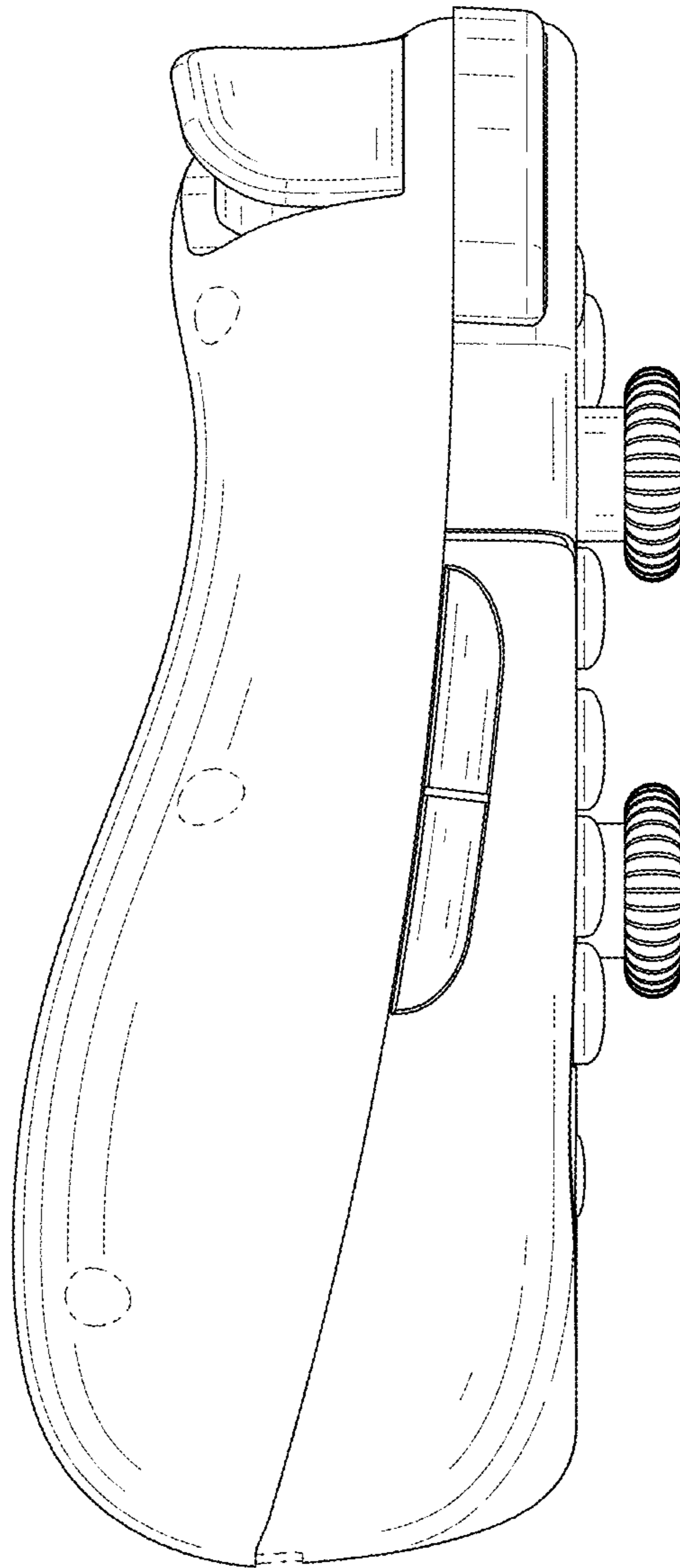


FIG. 5

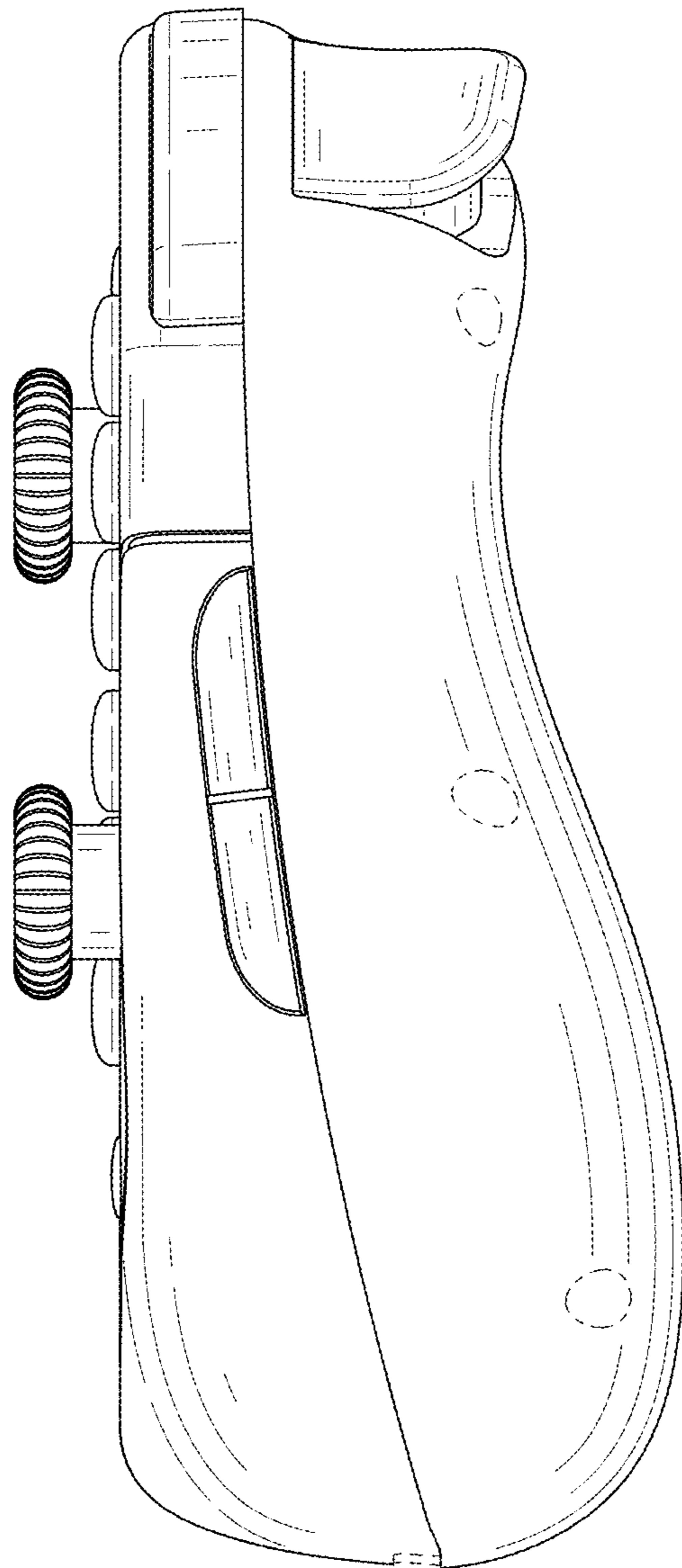


FIG. 6



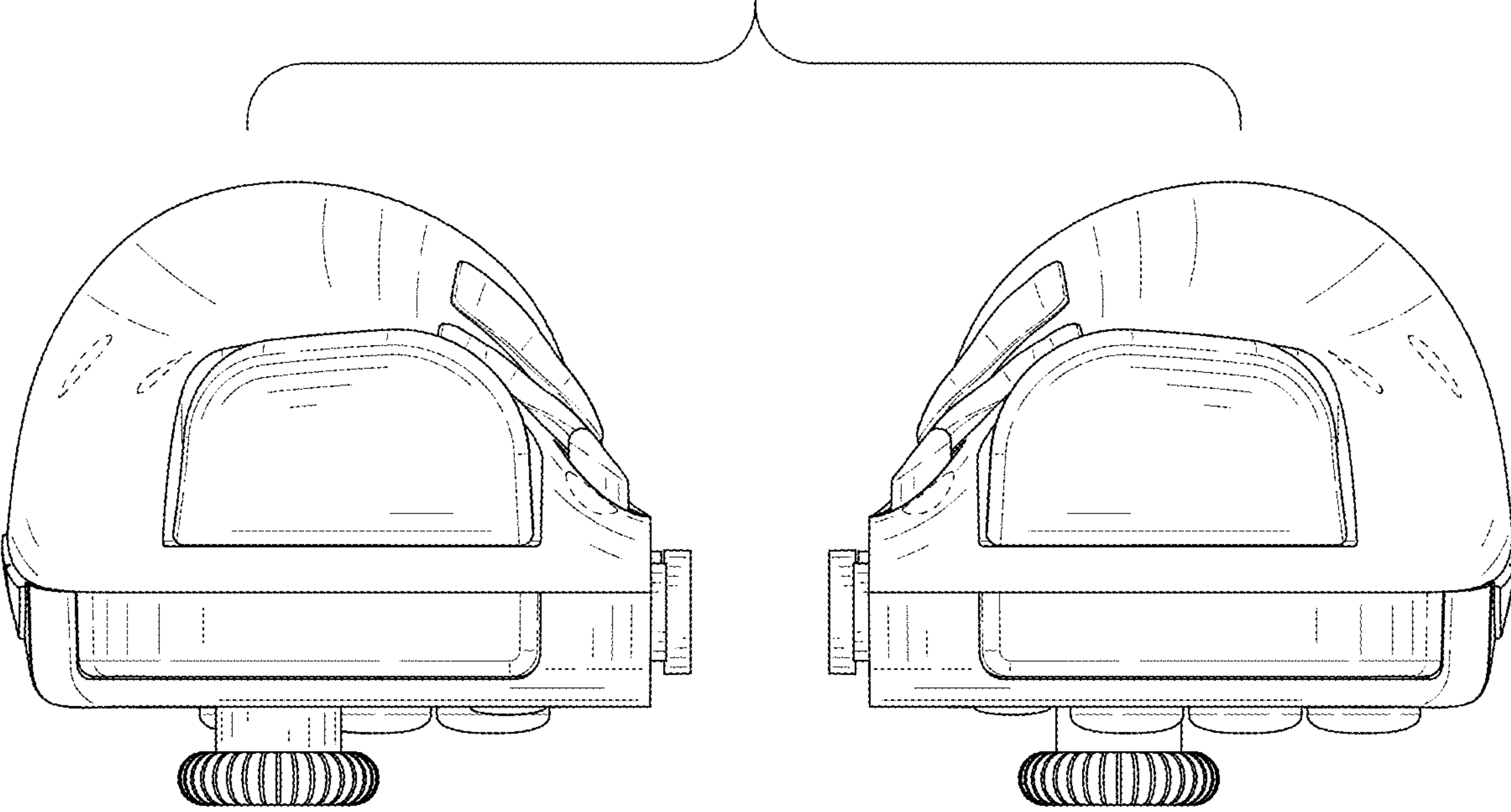


FIG. 7

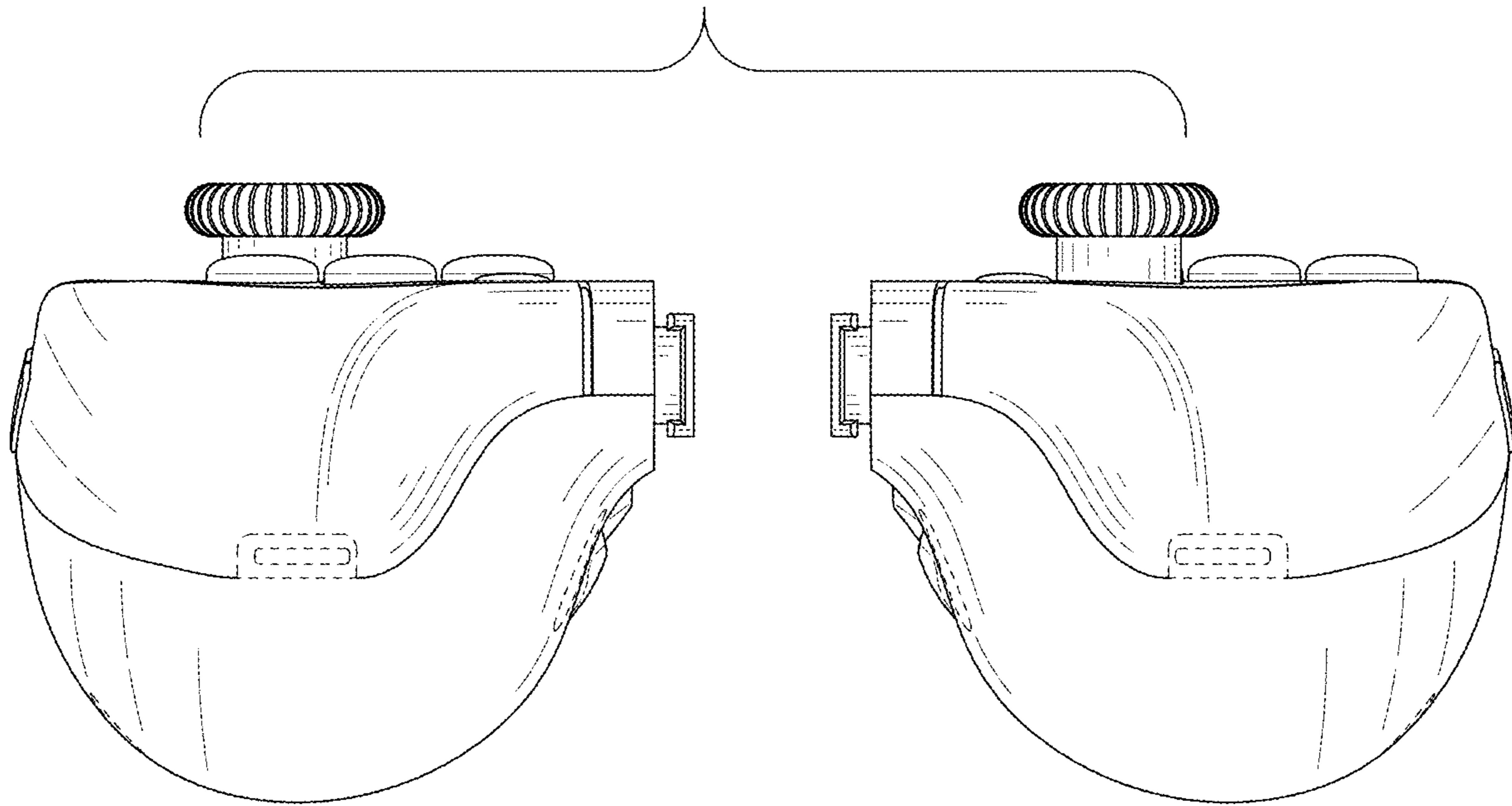


FIG. 8