



US00D953435S

(12) **United States Design Patent** (10) **Patent No.:** **US D953,435 S**
Hu (45) **Date of Patent:** **** May 31, 2022**

(54) **GAME CONTROLLER FOR MOBILE TELEPHONE**

(71) Applicant: **Shenzhen Qixiong Technology Co., Ltd, Shenzhen (CN)**

(72) Inventor: **Xiaochen Hu, Shenzhen (CN)**

(**) Term: **15 Years**

(21) Appl. No.: **29/758,560**

(22) Filed: **Nov. 17, 2020**

(51) **LOC (13) Cl.** **21-01**

(52) **U.S. Cl.**
USPC **D21/333; D14/401; D14/252**

(58) **Field of Classification Search**
USPC D14/251–253, 401, 415, 447; D3/218;
D21/333; D12/415
CPC A63F 13/98; A63F 2300/301; H04M 1/04
See application file for complete search history.

(56) **References Cited**

U.S. PATENT DOCUMENTS

D686,209 S *	7/2013	Sun	D14/401
D720,342 S *	12/2014	Starrett	D14/401
D867,365 S *	11/2019	Corigliano	D14/401
10,525,360 B1 *	1/2020	Corigliano	A63F 13/24
D894,280 S *	8/2020	Ehara	D21/331
D900,935 S *	11/2020	Lo	D21/333
D908,801 S *	1/2021	Lee	D21/333
D909,481 S *	2/2021	Liu	D21/333
D916,980 S *	4/2021	Chen	D21/333
D929,390 S *	8/2021	Bai	D14/253
D937,933 S *	12/2021	Tong	D14/401
2013/0109476 A1 *	5/2013	Baum	A63F 13/235 463/37
2013/0154542 A1 *	6/2013	Joynes	A63F 13/98 320/101

2013/0157764 A1 *	6/2013	Joynes	A63F 13/23 463/37
2013/0184077 A1 *	7/2013	Galpern	A63F 13/24 463/37
2014/0179437 A1 *	6/2014	King	A63F 13/24 463/37
2017/0315586 A1 *	11/2017	Townley	A63F 13/23
2019/0379231 A1 *	12/2019	Gonzalez	H02J 7/025
2021/0275907 A1 *	9/2021	Khaira	A63F 13/24
2021/0299553 A1 *	9/2021	Lu	A63F 13/24
2021/0344786 A1 *	11/2021	Takura	H04M 1/21
2021/0346794 A1 *	11/2021	Gao	A63F 13/24
2022/0032179 A1 *	2/2022	Khaira	A63F 13/24
2022/0032180 A1 *	2/2022	Khaira	A63F 13/24

* cited by examiner

Primary Examiner — Janice Hallmark

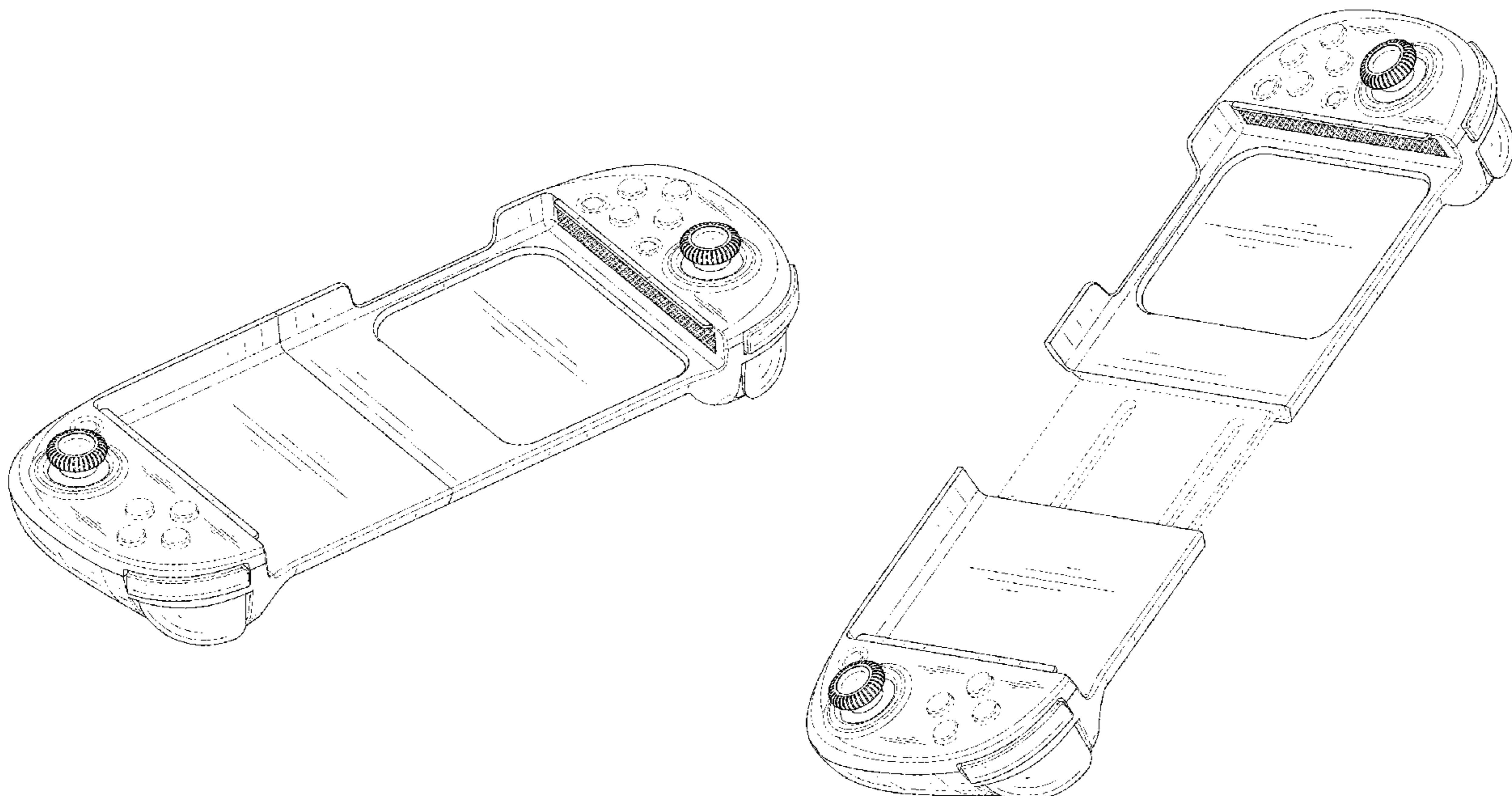
(57) **CLAIM**

The ornamental design for a game controller for mobile telephone, as shown and described.

DESCRIPTION

FIG. 1 is a first perspective view of a game controller for mobile telephone showing my new design;
FIG. 2 is a second perspective view thereof;
FIG. 3 is a front view thereof;
FIG. 4 is a back view thereof;
FIG. 5 is a left side view thereof;
FIG. 6 is a right side view thereof;
FIG. 7 is a top view thereof;
FIG. 8 is a bottom view thereof; and,
FIG. 9 is a perspective view of another state of the game controller for mobile telephone thereof.
The broken lines shown in the drawings depict portions of the game controller for mobile telephone in which the design is embodied that form no part of the claimed design.

1 Claim, 9 Drawing Sheets



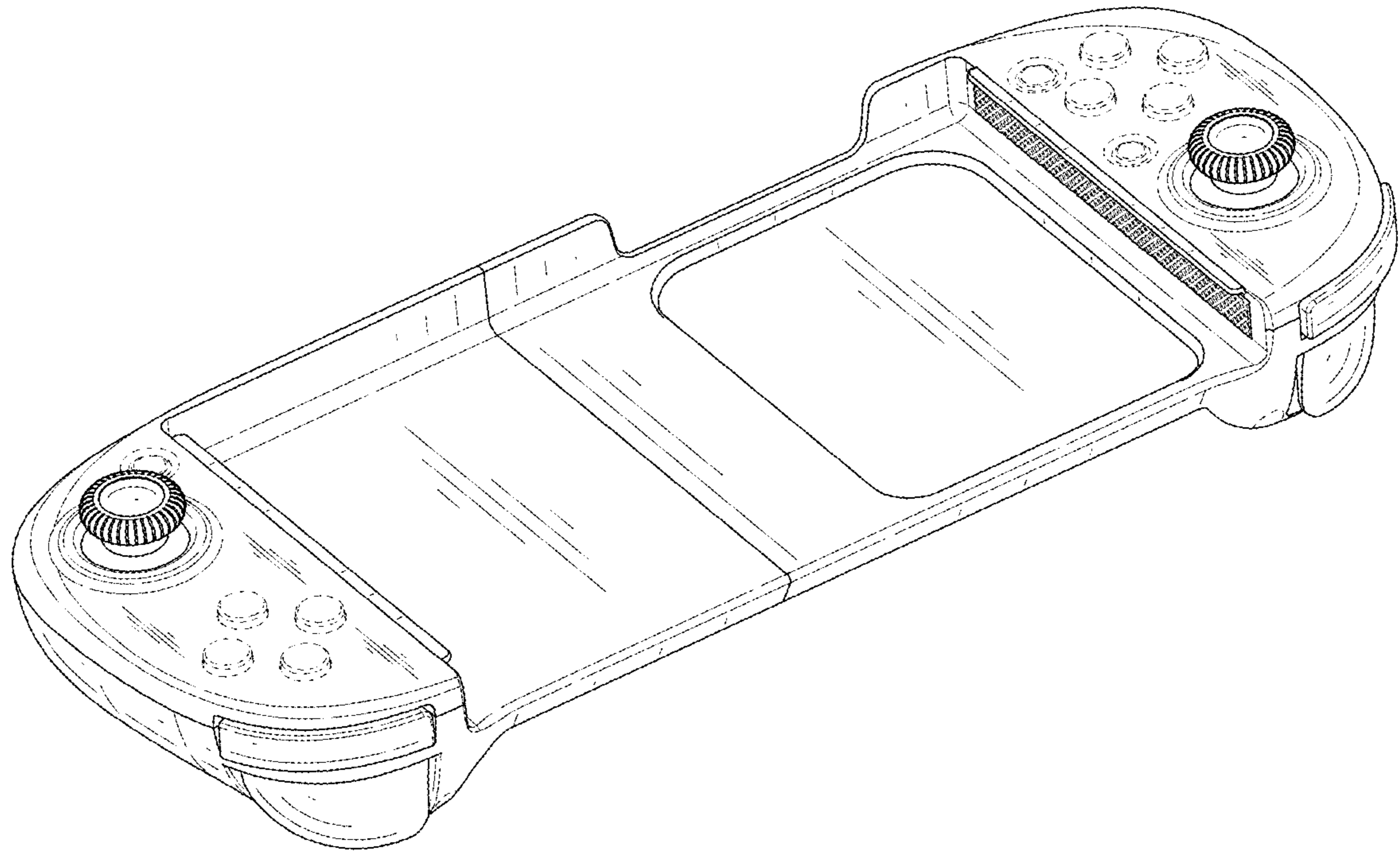


FIG. 1

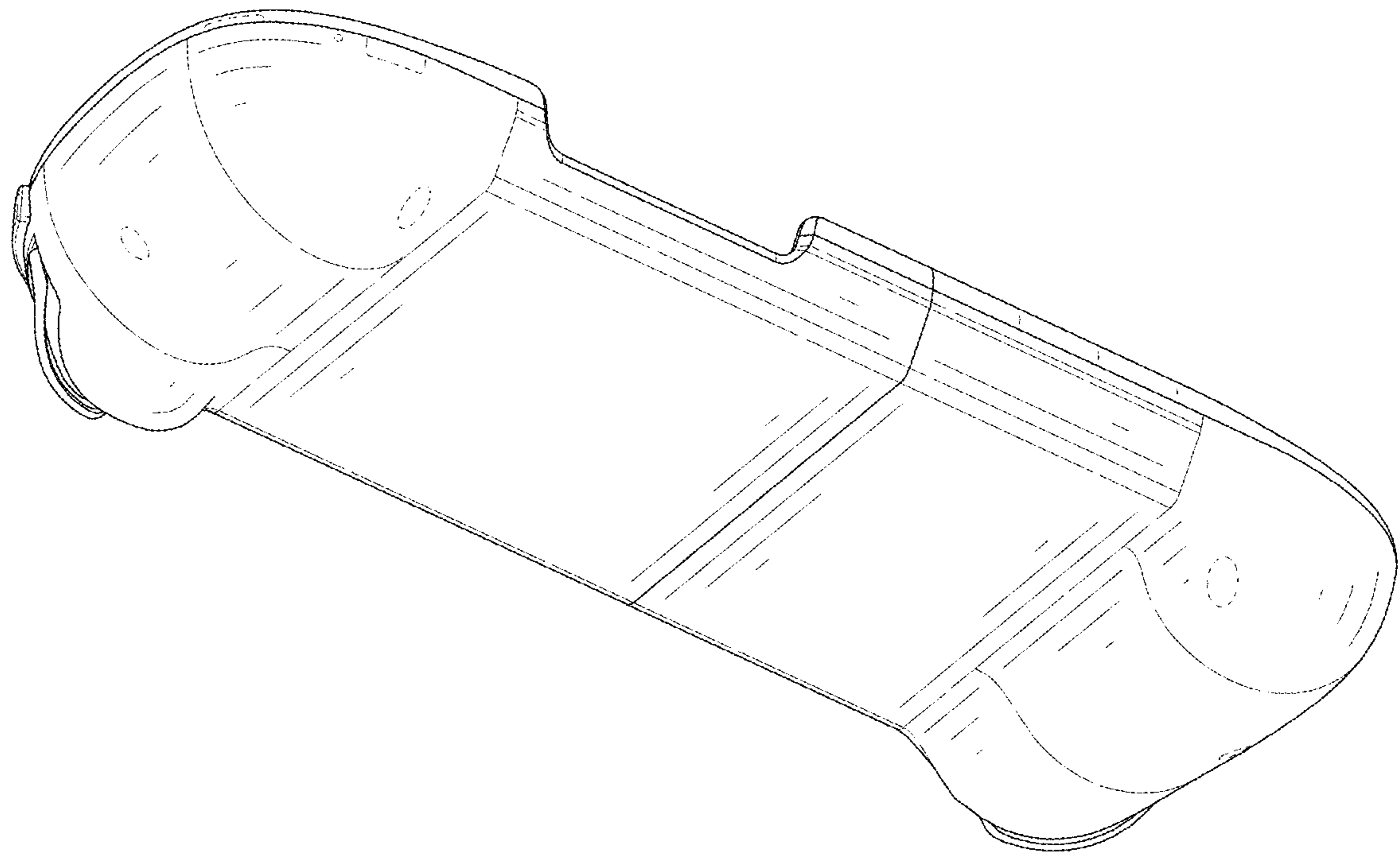


FIG. 2

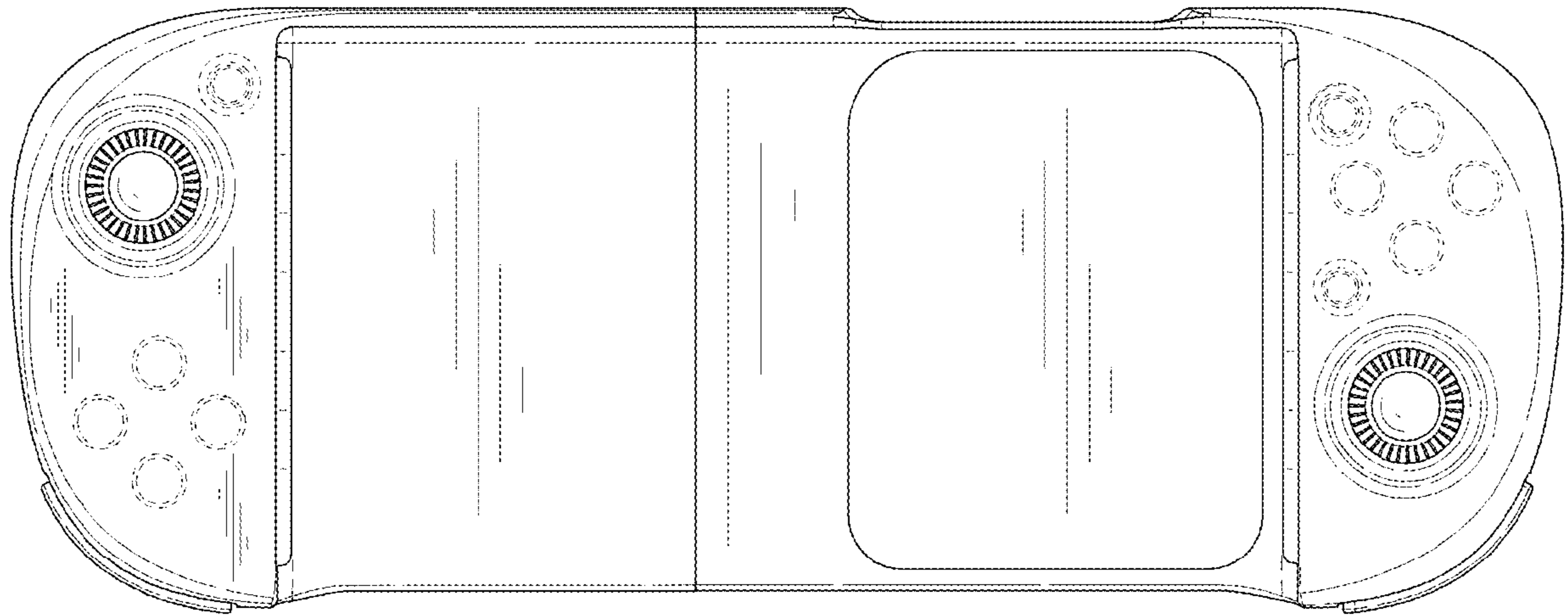


FIG. 3

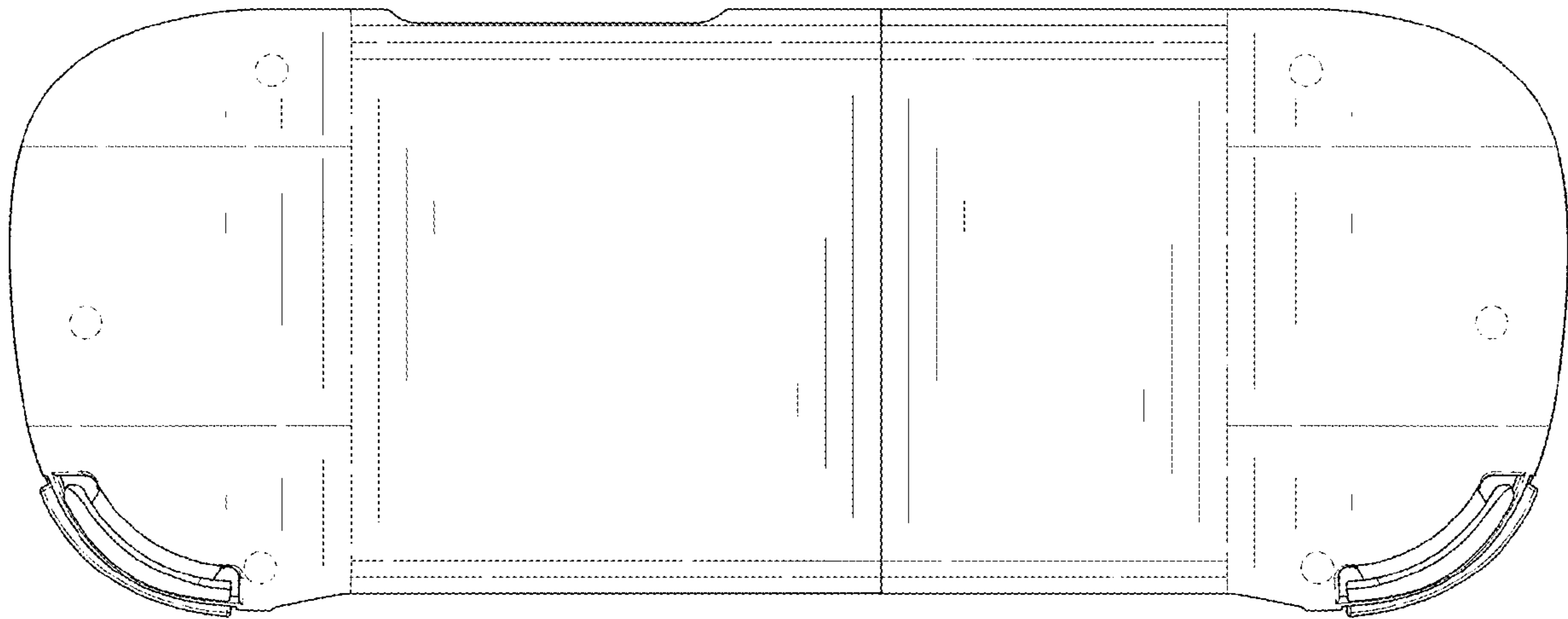


FIG. 4

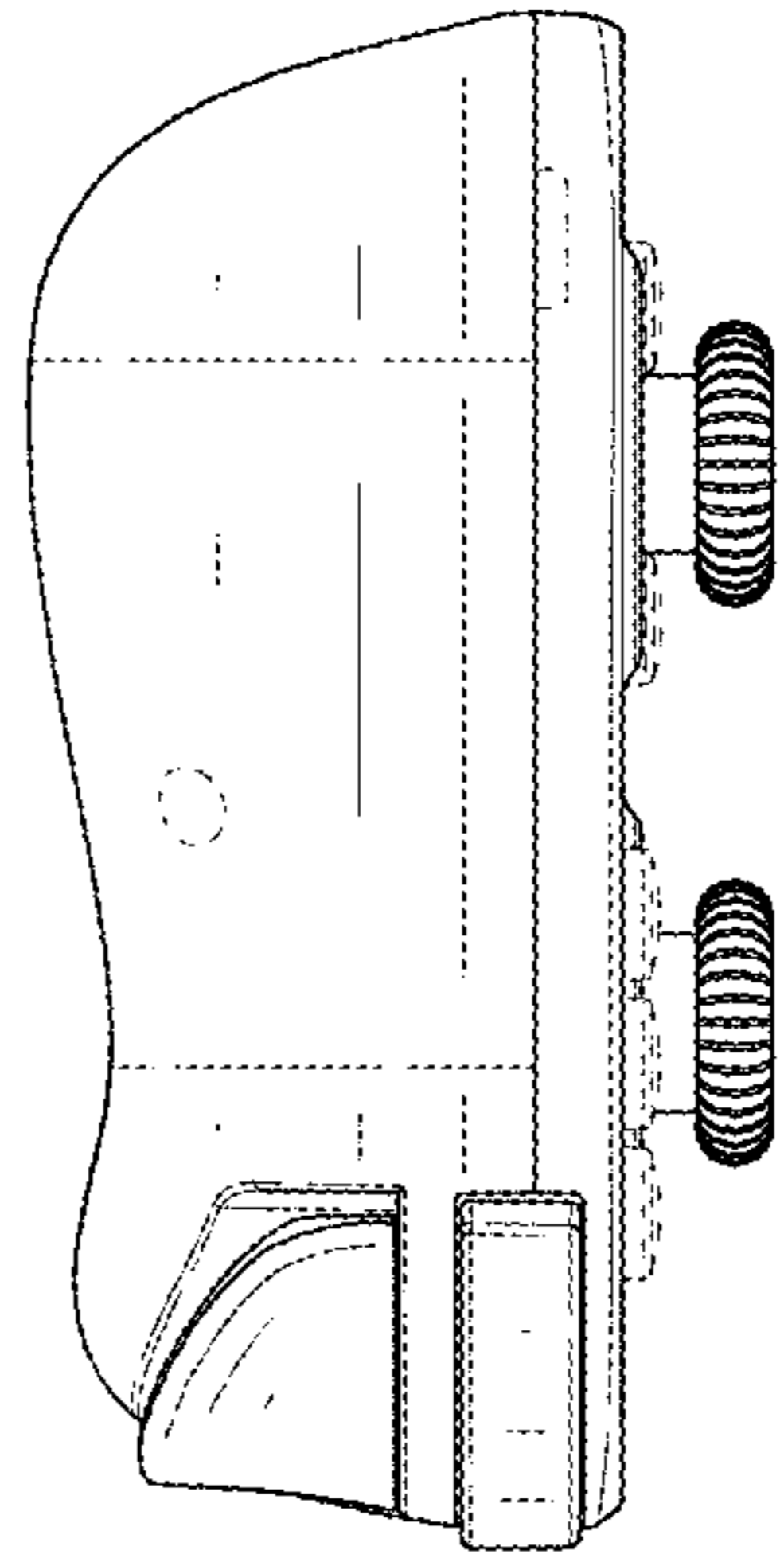


FIG. 5

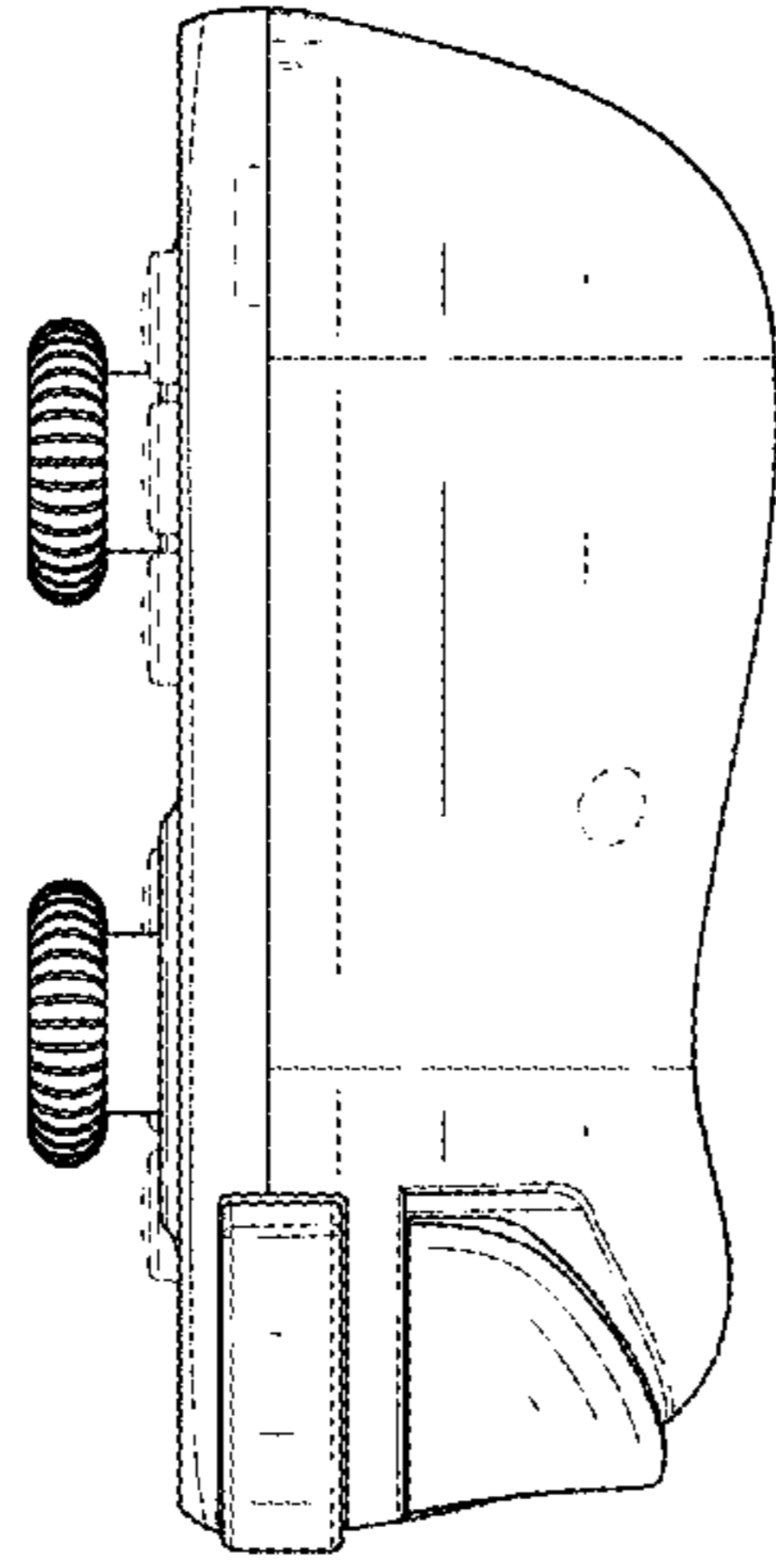


FIG. 6

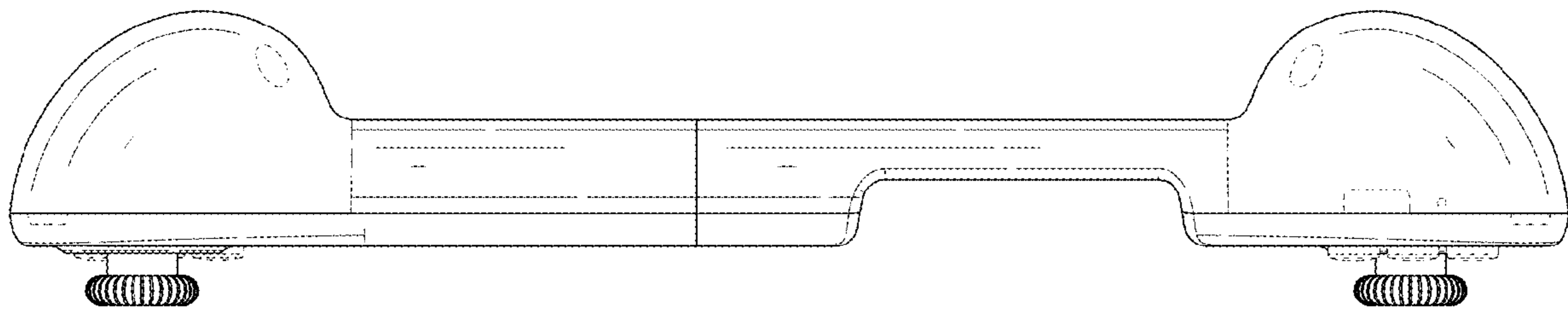


FIG. 7

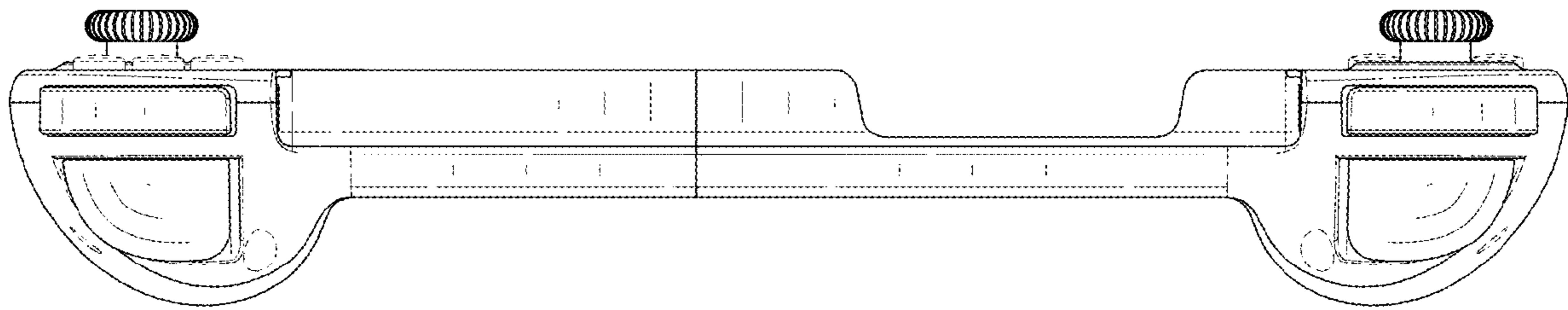


FIG. 8

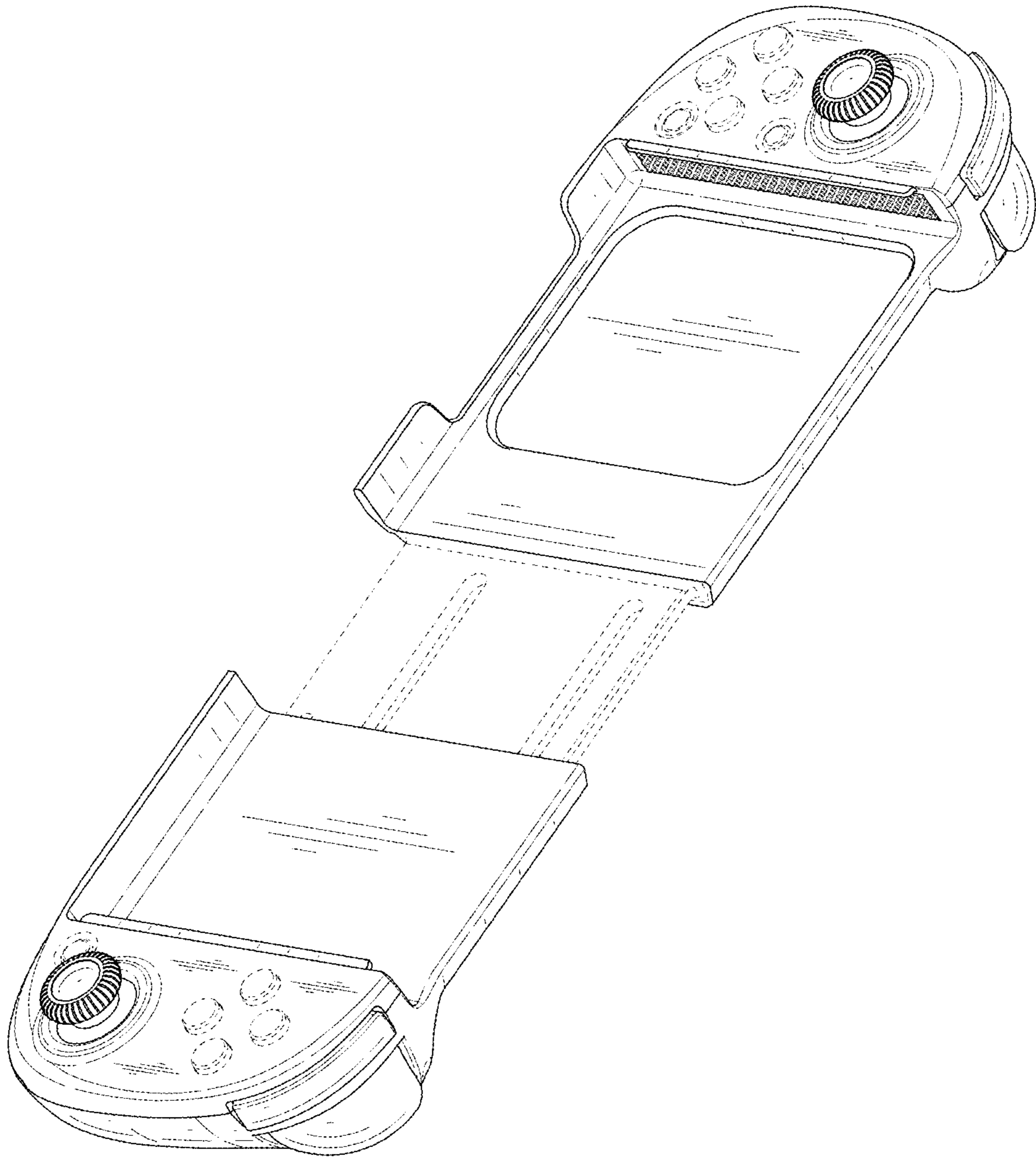


FIG. 9