



US00D953430S

(12) **United States Design Patent** (10) **Patent No.:** **US D953,430 S**
Holguin (45) **Date of Patent:** **** May 31, 2022**

(54) **GAME TARGET**
(71) Applicant: **Rafael A. Holguin**, Gansevoort, NY (US)
(72) Inventor: **Rafael A. Holguin**, Gansevoort, NY (US)
(**) Term: **15 Years**
(21) Appl. No.: **29/751,367**
(22) Filed: **Sep. 21, 2020**
(51) **LOC (13) Cl.** **21-01**
(52) **U.S. Cl.**
USPC **D21/302**
(58) **Field of Classification Search**
USPC D21/300, 301, 302, 303, 315-319, 329,
D21/337, 358, 385, 397, 420, 698, 699,
D21/703, 715, 790, 791
CPC A63B 67/06; A63B 63/08; A63B 67/00;
A63B 67/02; A63B 2208/12; A63B
57/357; A63B 57/40; A63F 9/0204
See application file for complete search history.

D266,010 S * 8/1982 Cofer D21/790
4,968,041 A * 11/1990 Calvo A63F 9/0204
273/401
D326,481 S * 5/1992 Pritchett D21/365
D407,764 S * 4/1999 Ashton D21/397
D600,286 S * 9/2009 Pruitt D21/303
D605,708 S * 12/2009 Chapman D21/337
D627,834 S * 11/2010 Willis D21/396
D692,500 S * 10/2013 Max D21/303
D781,959 S * 3/2017 Thur D21/302
D856,430 S * 8/2019 Cangi D21/303
D872,182 S * 1/2020 Engler D21/305

* cited by examiner

Primary Examiner — Mehri F Bajoul
(74) *Attorney, Agent, or Firm* — Heslin Rothenberg
Farley & Mesiti P.C.

(57) **CLAIM**

The ornamental design for game target, as shown and described.

DESCRIPTION

FIG. 1 is a perspective view of game target comprising the new design;
FIG. 2 is a rear view thereof;
FIG. 3 is a front view thereof;
FIG. 4 is a right side view thereof;
FIG. 5 is a left side view thereof;
FIG. 6 is a top view thereof; and,
FIG. 7 is a bottom view thereof.

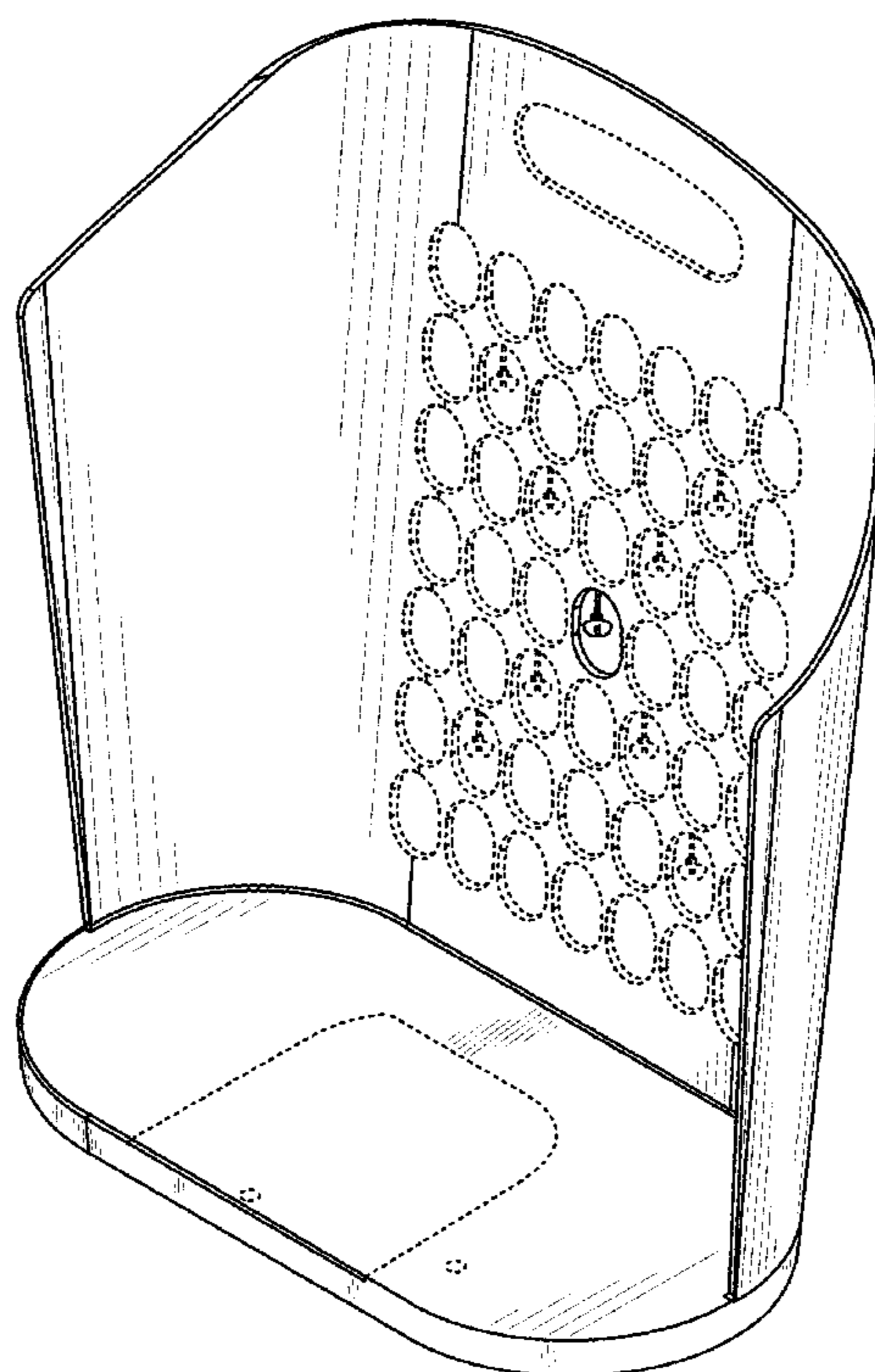
The broken lines shown in the drawings depict portions of the game target that form no part of the claimed design.

1 Claim, 6 Drawing Sheets

(56) **References Cited**

U.S. PATENT DOCUMENTS

D22,976 S * 12/1893 McDaniel D21/312
1,687,217 A * 10/1928 Kurtz A63B 57/357
473/185
D161,248 S * 12/1950 Darr 473/19
D234,435 S * 3/1975 Pinerio, Jr. D21/303
D245,798 S * 9/1977 Norden D21/303
D246,476 S * 11/1977 McGuire D21/780
D254,017 S * 1/1980 Norden D21/303



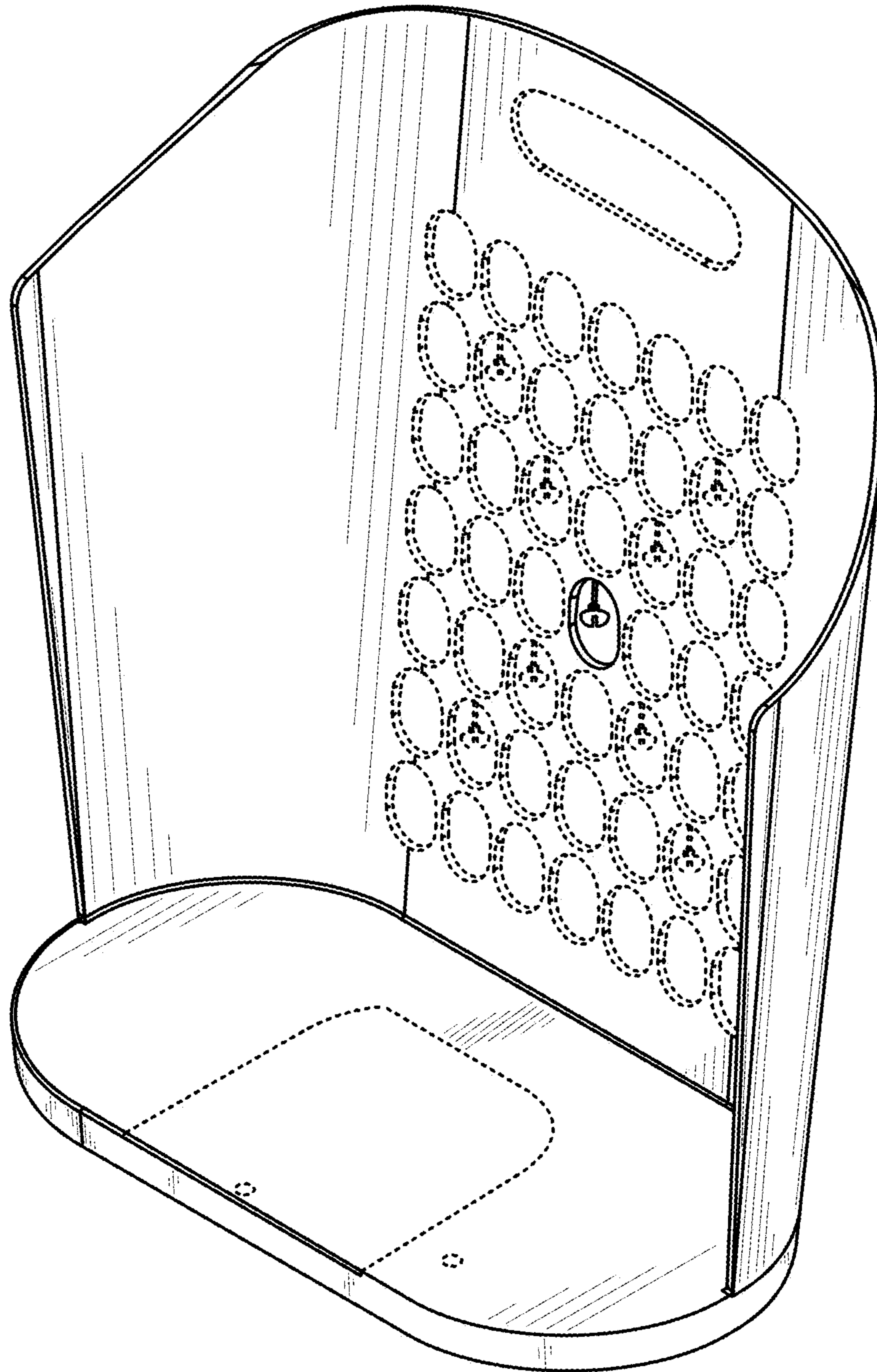


FIG. 1

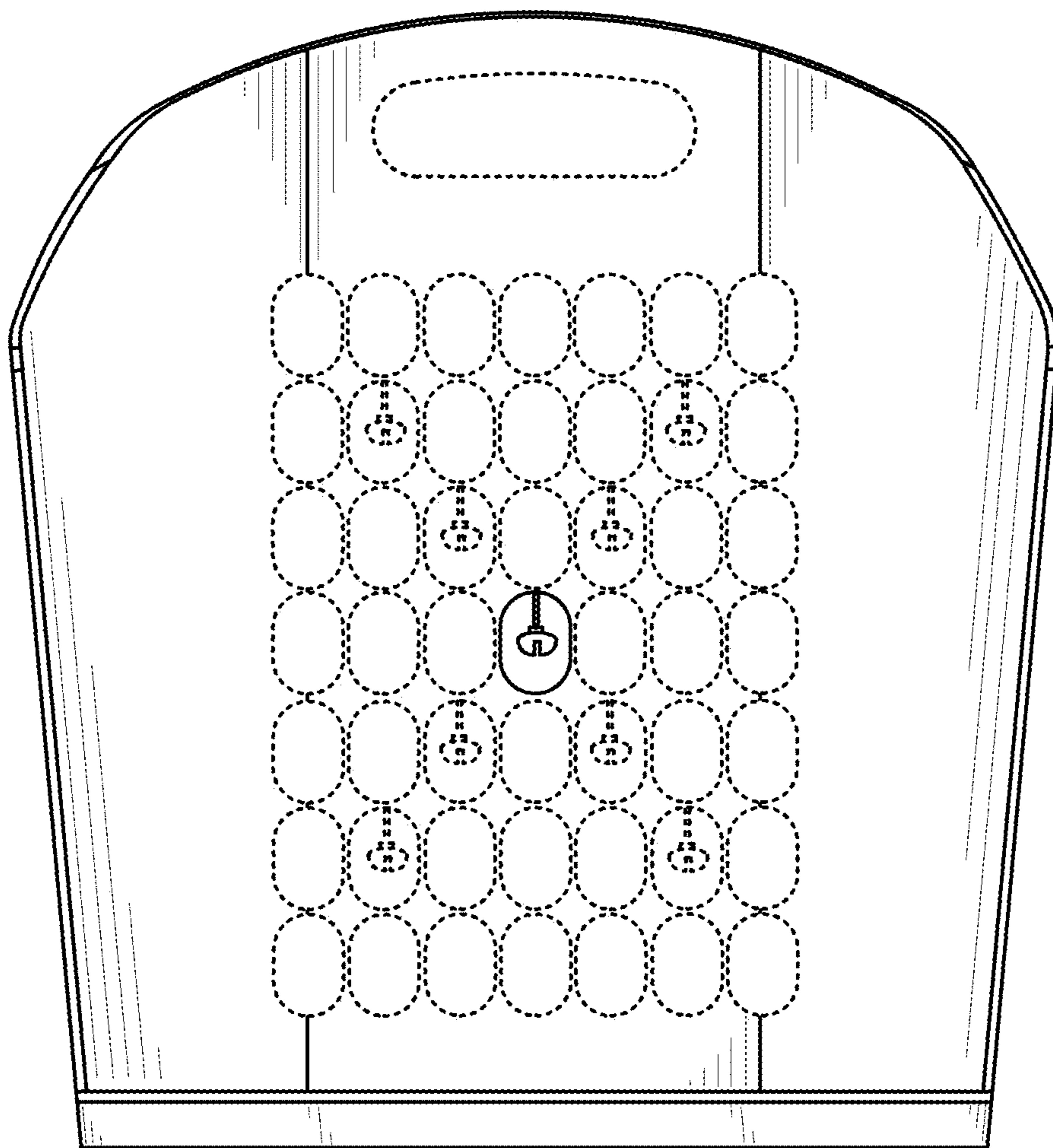


FIG. 2

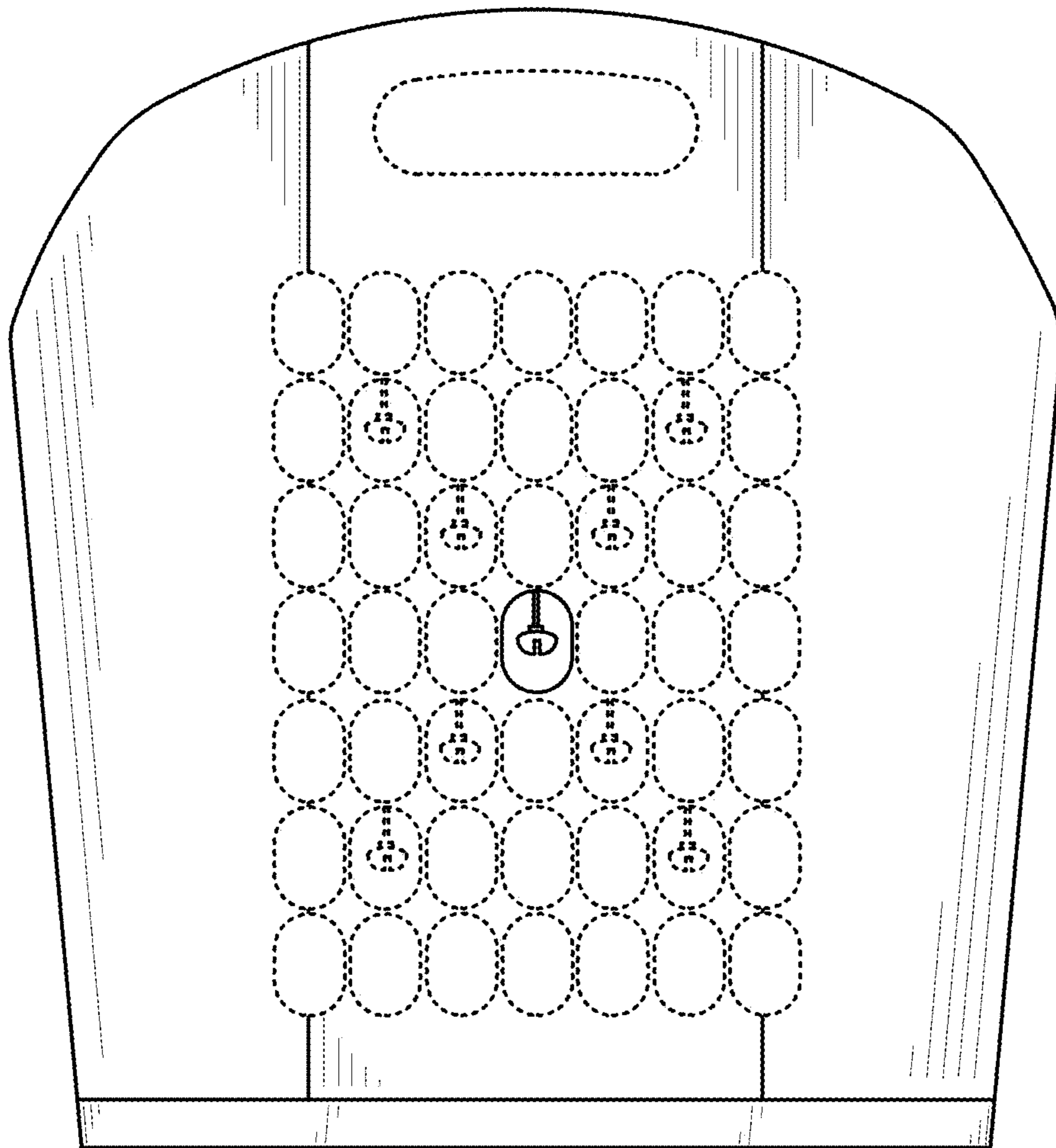


FIG. 3

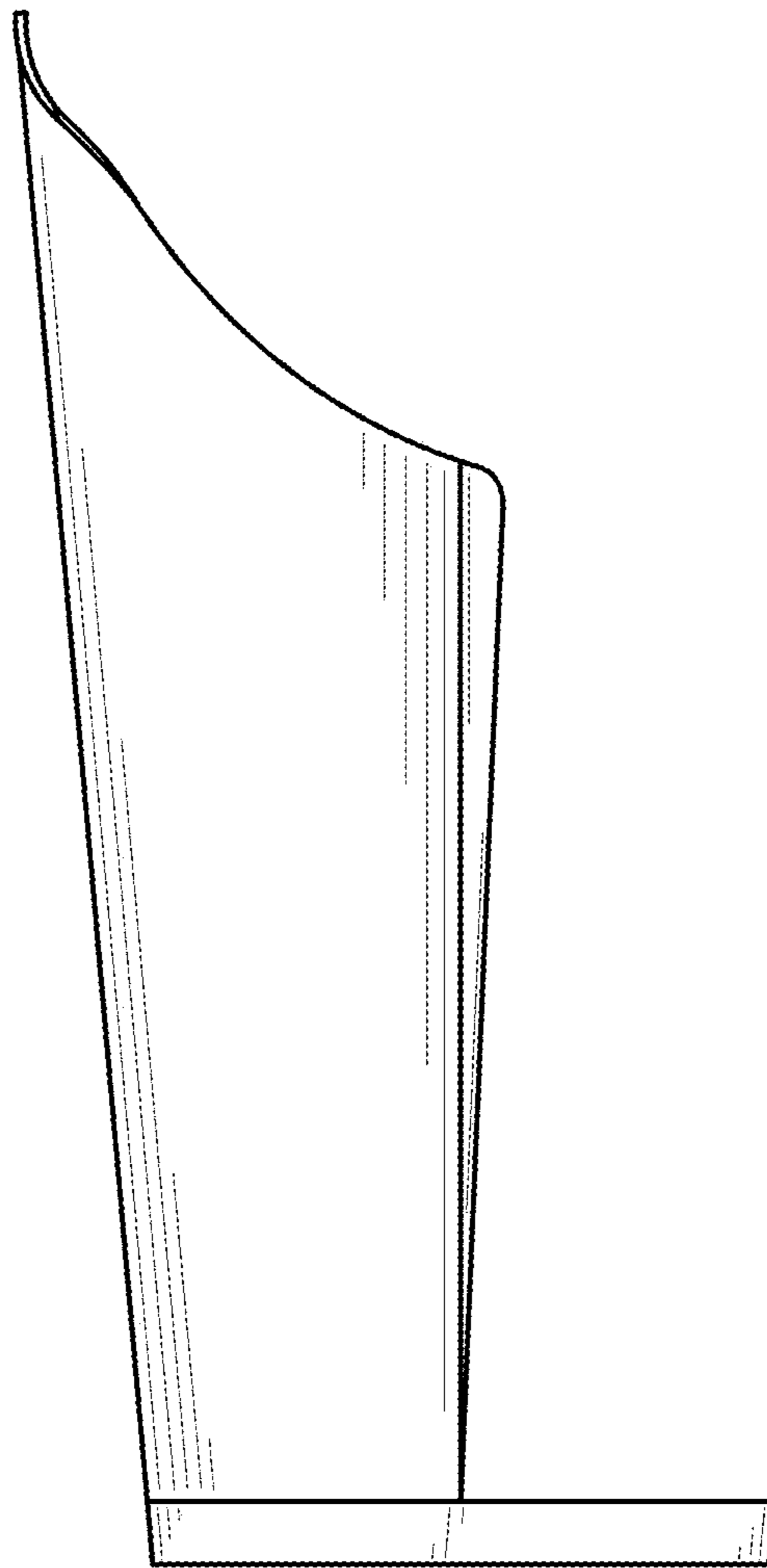


FIG. 4

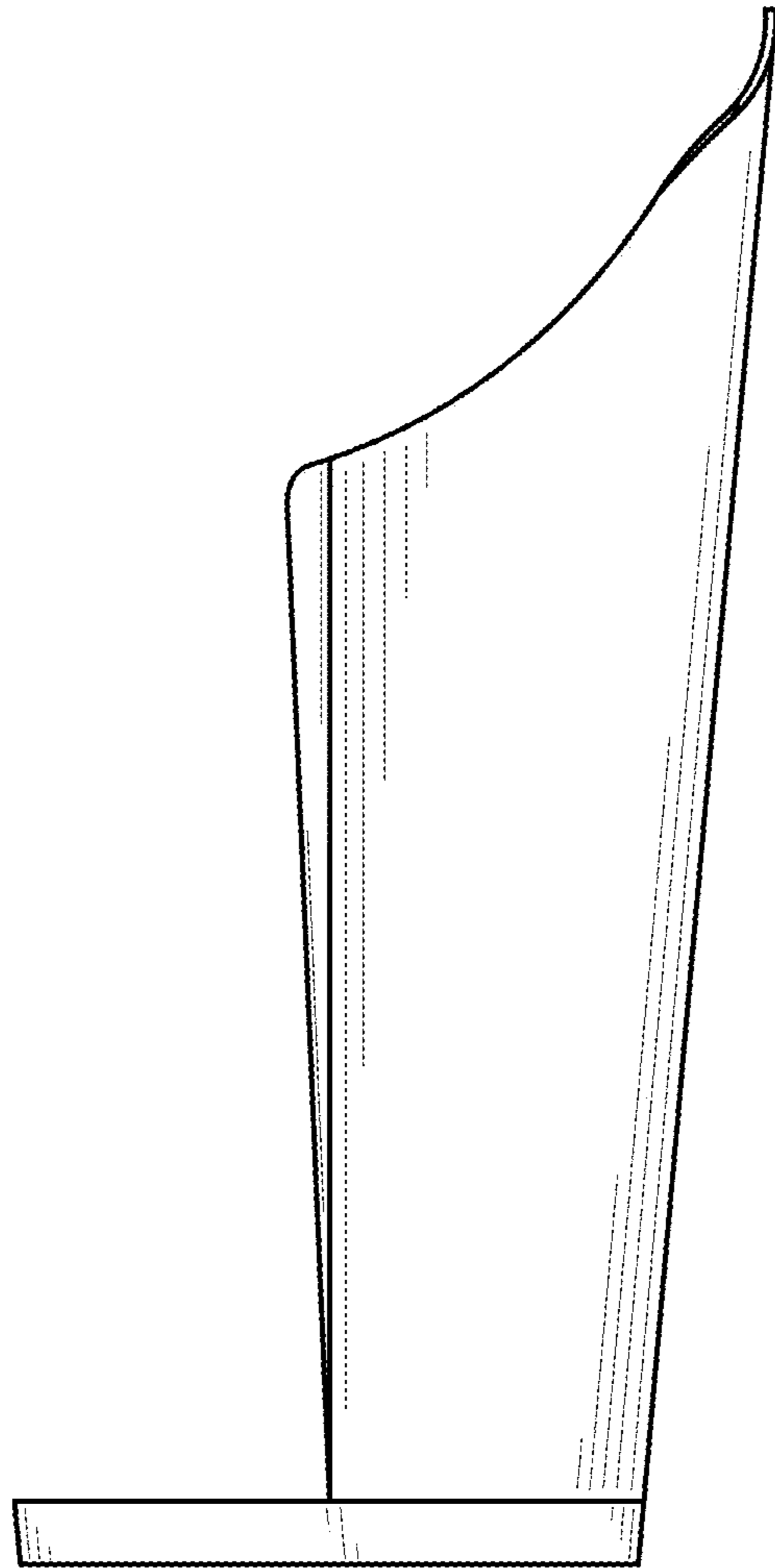


FIG. 5

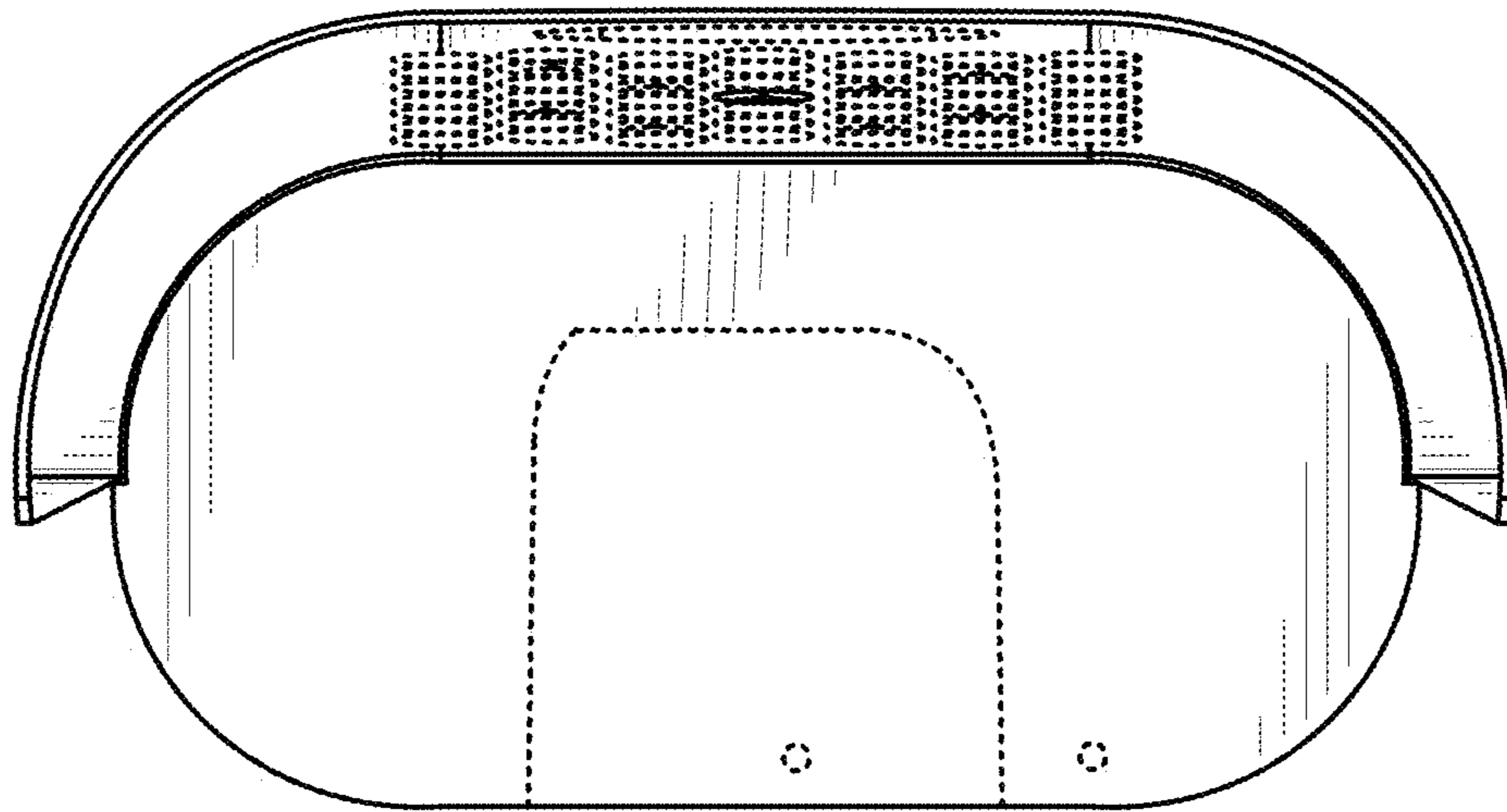


FIG. 6

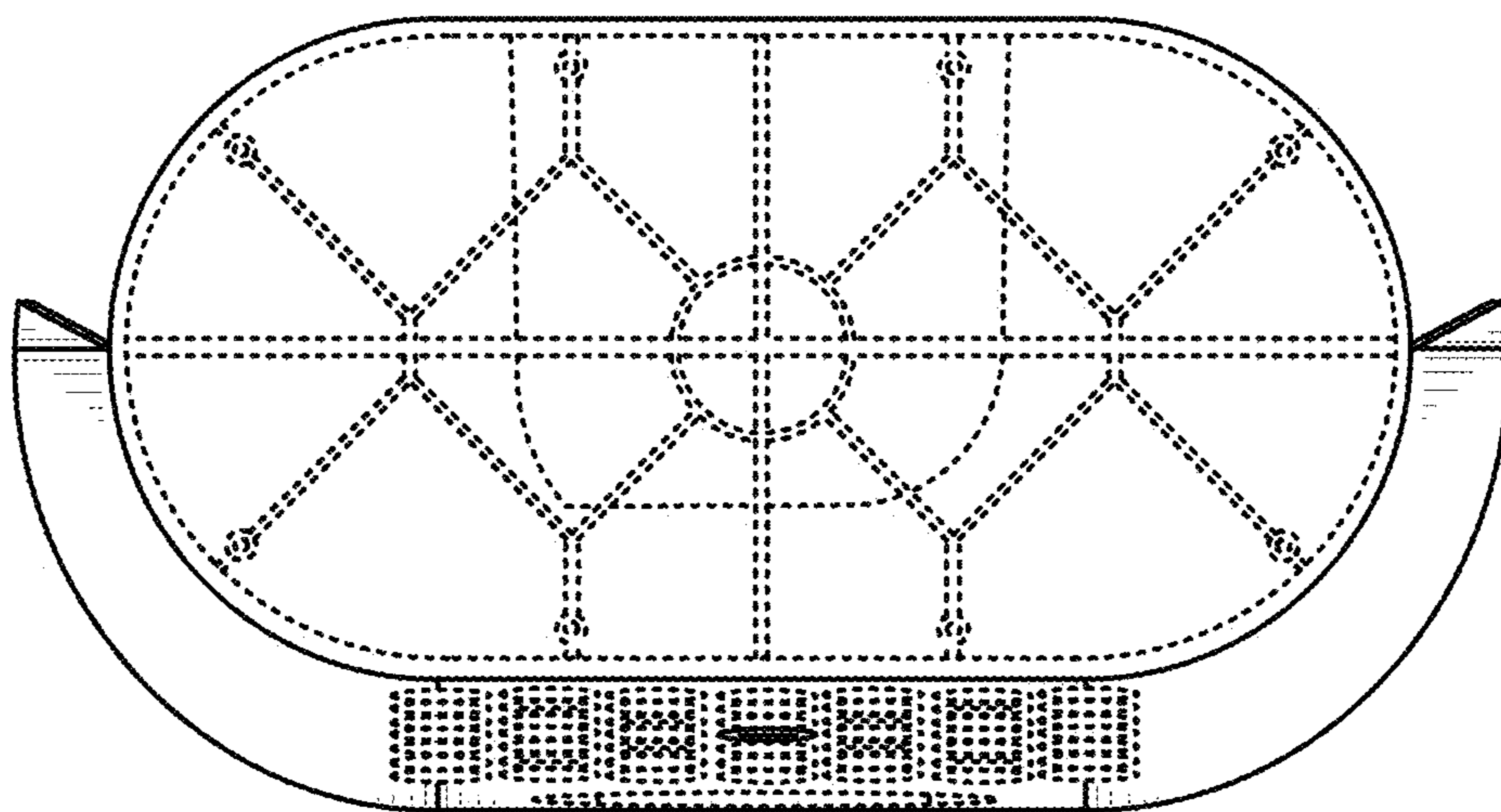


FIG. 7