



US00D953429S

(12) **United States Design Patent**  
**Towers**

(10) **Patent No.:** **US D953,429 S**

(45) **Date of Patent:** **\*\* May 31, 2022**

(54) **GOLF TARGET**

*Primary Examiner* — Mehri F Bajoul

(71) Applicant: **Steven D. Towers**, Hampden, ME (US)

(72) Inventor: **Steven D. Towers**, Hampden, ME (US)

(\*\*) Term: **15 Years**

(21) Appl. No.: **29/710,235**

(22) Filed: **Oct. 22, 2019**

(51) **LOC (13) Cl.** ..... **21-01**

(52) **U.S. Cl.**  
USPC ..... **D21/302**

(58) **Field of Classification Search**

USPC ..... D21/300, 301, 302, 303, 304, 305, 306,  
D21/314, 318, 319, 339, 341, 357, 358,  
D21/382, 385, 386, 488, 500, 698, 701,  
D21/702, 703, 704, 705, 706, 707, 708,  
D21/709, 710, 711, 712, 713, 714, 715,  
D21/716, 788, 789, 790, 791; D6/348,  
D6/369, 368, 716; 434/252, 166, 173,  
434/185, 195, 196, 197, 257, 258, 259;  
273/127 R, 400; 297/16.1, 45  
CPC ..... A63B 69/36; A63B 63/08; A63B 67/06;  
A63B 63/007; A63B 63/00; A63B  
71/022; A63B 65/00; A63B 1/00; A63B  
67/02; A63B 57/40; A63B 57/357; A63F  
9/0204; A63F 1/067; A47B 25/00

See application file for complete search history.

(56) **References Cited**

**U.S. PATENT DOCUMENTS**

D375,774 S \* 11/1996 Harrold ..... D21/791  
D411,601 S \* 6/1999 Fong ..... D21/791  
D429,303 S \* 8/2000 Peterson, Jr. .... D21/790  
D505,472 S \* 5/2005 Doherty ..... D21/790

(Continued)

**OTHER PUBLICATIONS**

“Sunbrella Fabric”, published in 2021 [Online], [retrieved Feb. 21, 2021]. Retrieved from Internet, <https://www.focusgolftarget.com/fabric-construction>.\*

(57) **CLAIM**

The ornamental design for a golf target, as shown and described.

**DESCRIPTION**

FIG. 1 is a front perspective view of the golf target according to the invention, showing the front, top and side of the golf target.

FIG. 2 is a front elevation view of the golf target.

FIG. 3 is a back elevation view of the golf target.

FIG. 4 is a left side elevation view of the golf target.

FIG. 5 is a right side elevation view of the golf target.

FIG. 6 is a top plan view of the golf target.

FIG. 7 is a bottom plan view of the golf target.

FIG. 8 is an exploded perspective view of the golf target showing the fabric liner separately for ease of illustration.

FIG. 9 is a magnified view of the fabric liner shown in FIG. 8.

FIG. 10 is an exploded right side elevation view of the golf target showing the fabric liner separately for each of illustration.

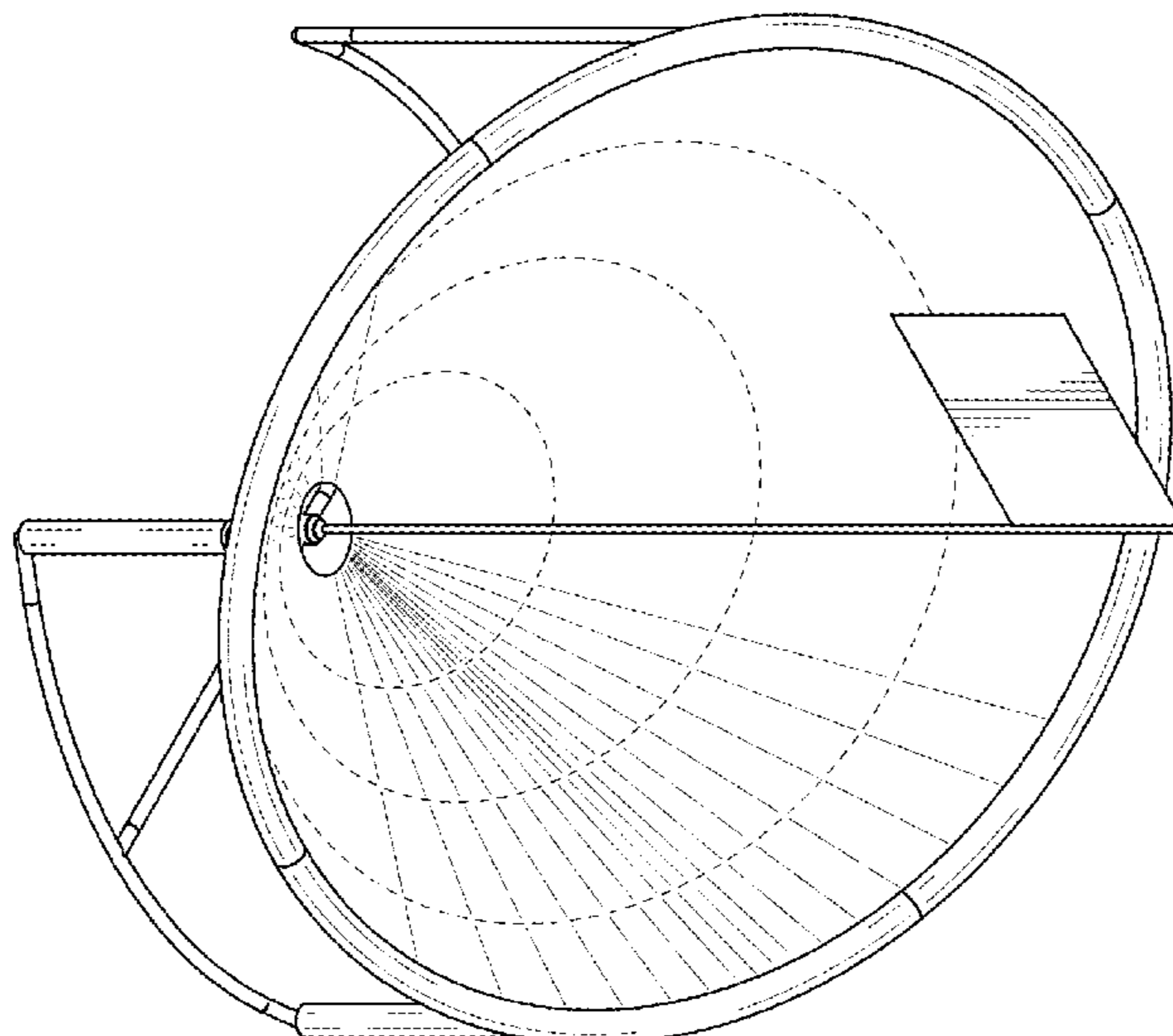
FIG. 11 is magnified view of the fabric liner shown in FIG. 10.

FIG. 12 is a side view of the fabric liner of the golf target; and,

FIG. 13 is a magnified view of the section of the fabric liner identified in FIG. 12 showing the zipper on the outer edge of the liner.

The evenly dashed broken lines showing the circular features, depict portions of the golf target that form no part of the claimed design. The long-dash-short-dash lines depict bounds of the magnified portions that form no part of the claimed design. The dashed broken lines are for the purpose of illustrating the environment of the article only and form no part of the claimed design.

**1 Claim, 13 Drawing Sheets**



(56)

**References Cited**

U.S. PATENT DOCUMENTS

7,000,983 B1 \* 2/2006 Tsai ..... A47C 4/50  
 297/56  
 7,648,421 B2 \* 1/2010 Yoon ..... A63B 69/3623  
 473/197  
 D656,326 S \* 3/2012 Soewondo ..... D6/348  
 D711,151 S \* 8/2014 Christakos ..... D6/368  
 D718,546 S \* 12/2014 Christakos ..... D6/368  
 D720,550 S \* 1/2015 Akkad ..... D6/368  
 8,955,904 B1 \* 2/2015 Zhu ..... A47C 4/48  
 297/16.1  
 D756,155 S \* 5/2016 Akkad ..... D6/716  
 D795,957 S \* 8/2017 Metcalf ..... D21/302  
 D795,958 S \* 8/2017 Metcalf ..... D21/302  
 D867,507 S \* 11/2019 Bartholomew ..... D21/790  
 D872,181 S \* 1/2020 Engler ..... D21/302  
 D872,182 S \* 1/2020 Engler ..... D21/302  
 D875,833 S \* 2/2020 Fairchild ..... D21/302  
 2003/0060309 A1 \* 3/2003 Smith, IV ..... A63B 69/0002  
 473/431  
 2010/0164256 A1 \* 7/2010 Salisbury ..... A47C 7/744  
 297/16.2  
 2011/0043003 A1 \* 2/2011 Akkad ..... A47C 4/24  
 297/16.1  
 2020/0094120 A1 \* 3/2020 LeHardy ..... A63B 71/0036

\* cited by examiner

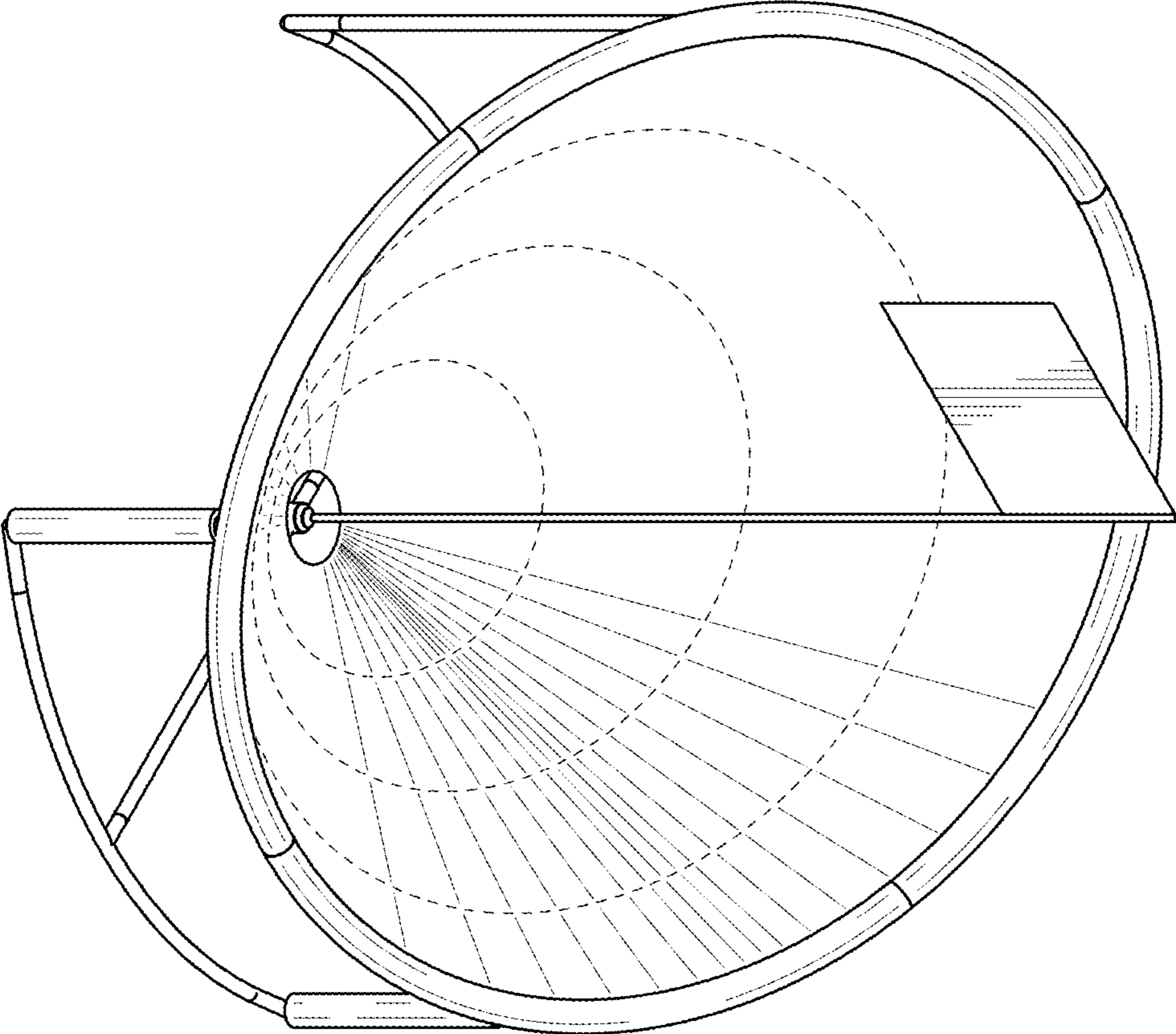


FIG. 1

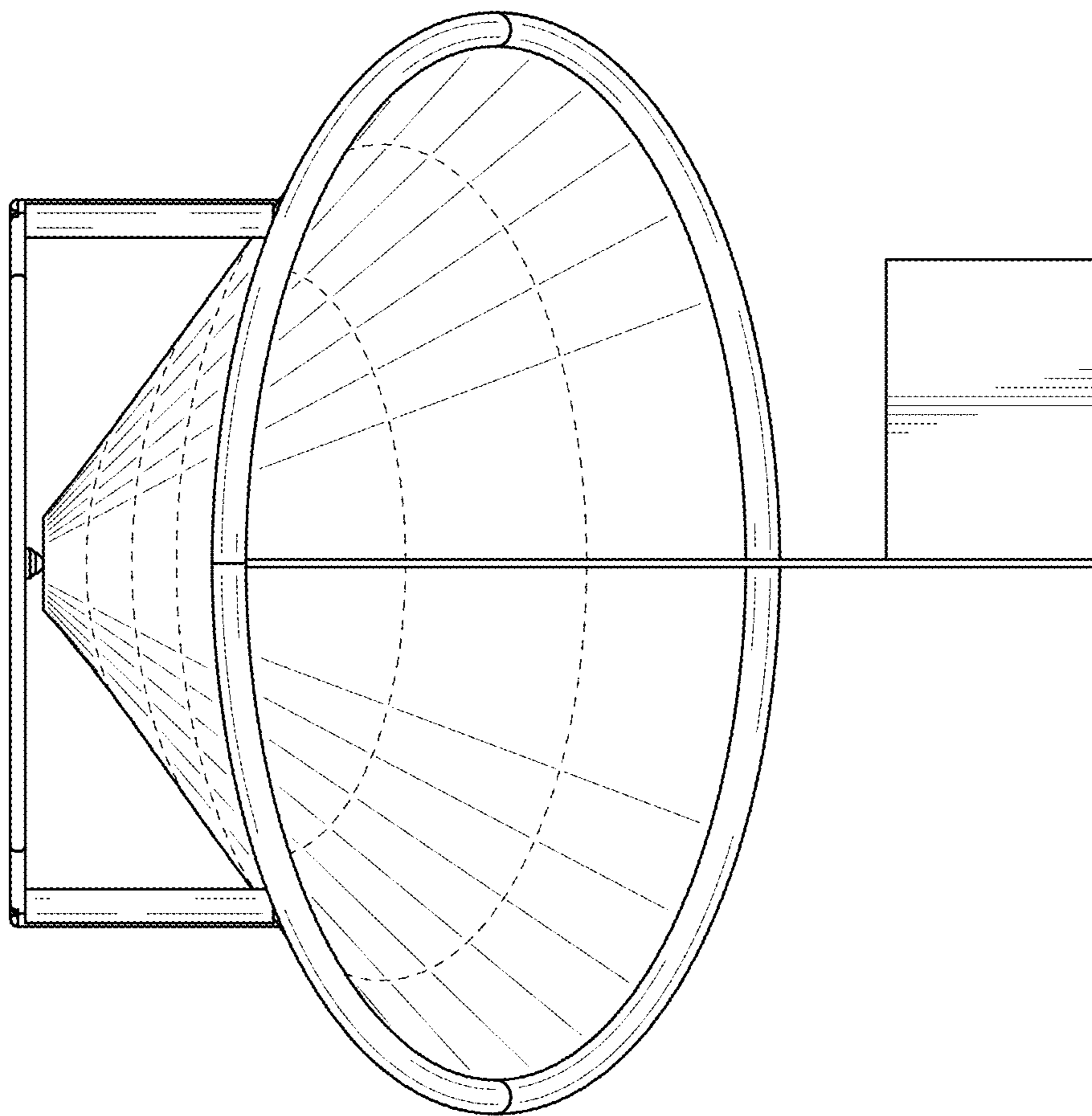


FIG. 2

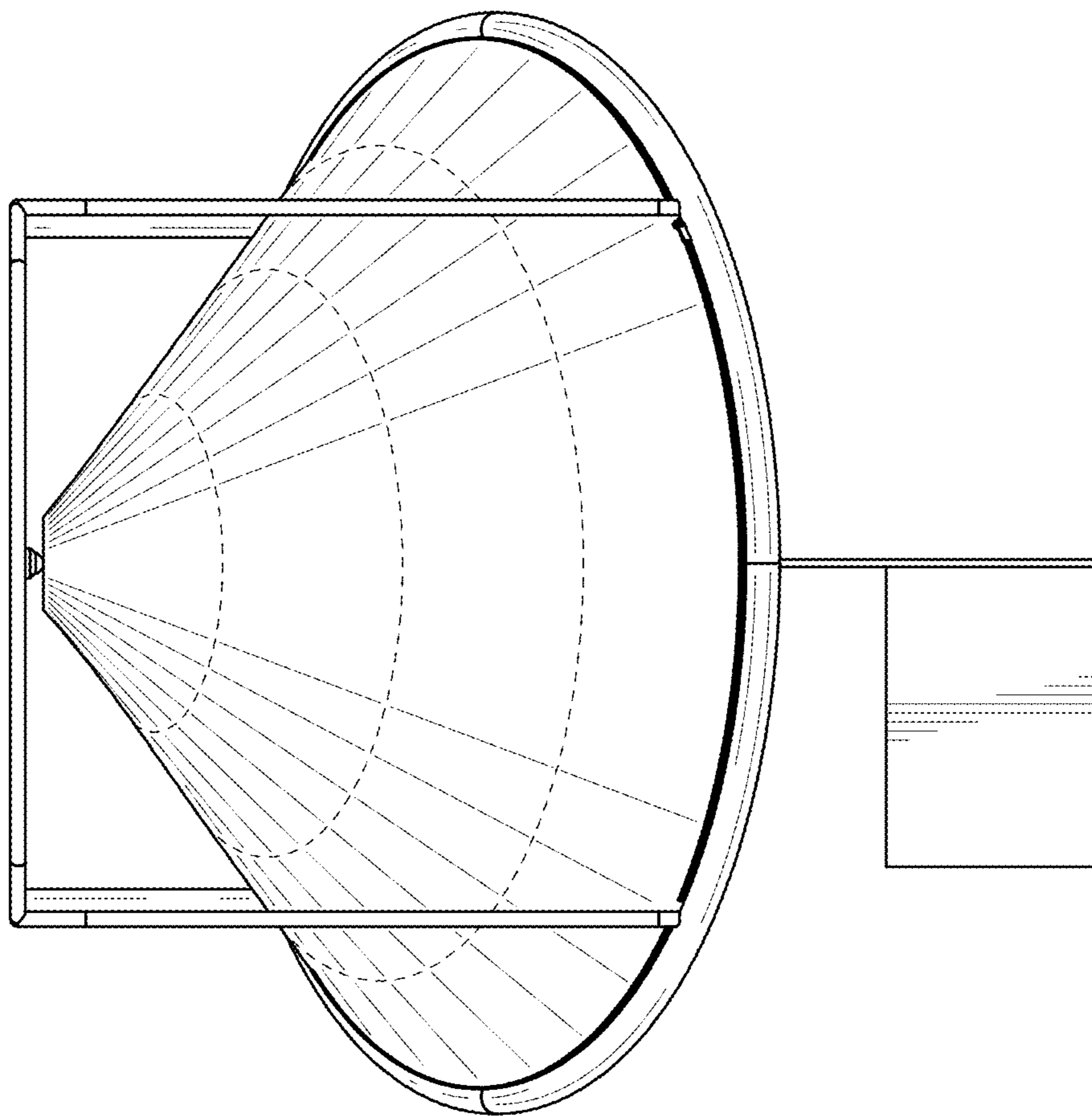


FIG. 3

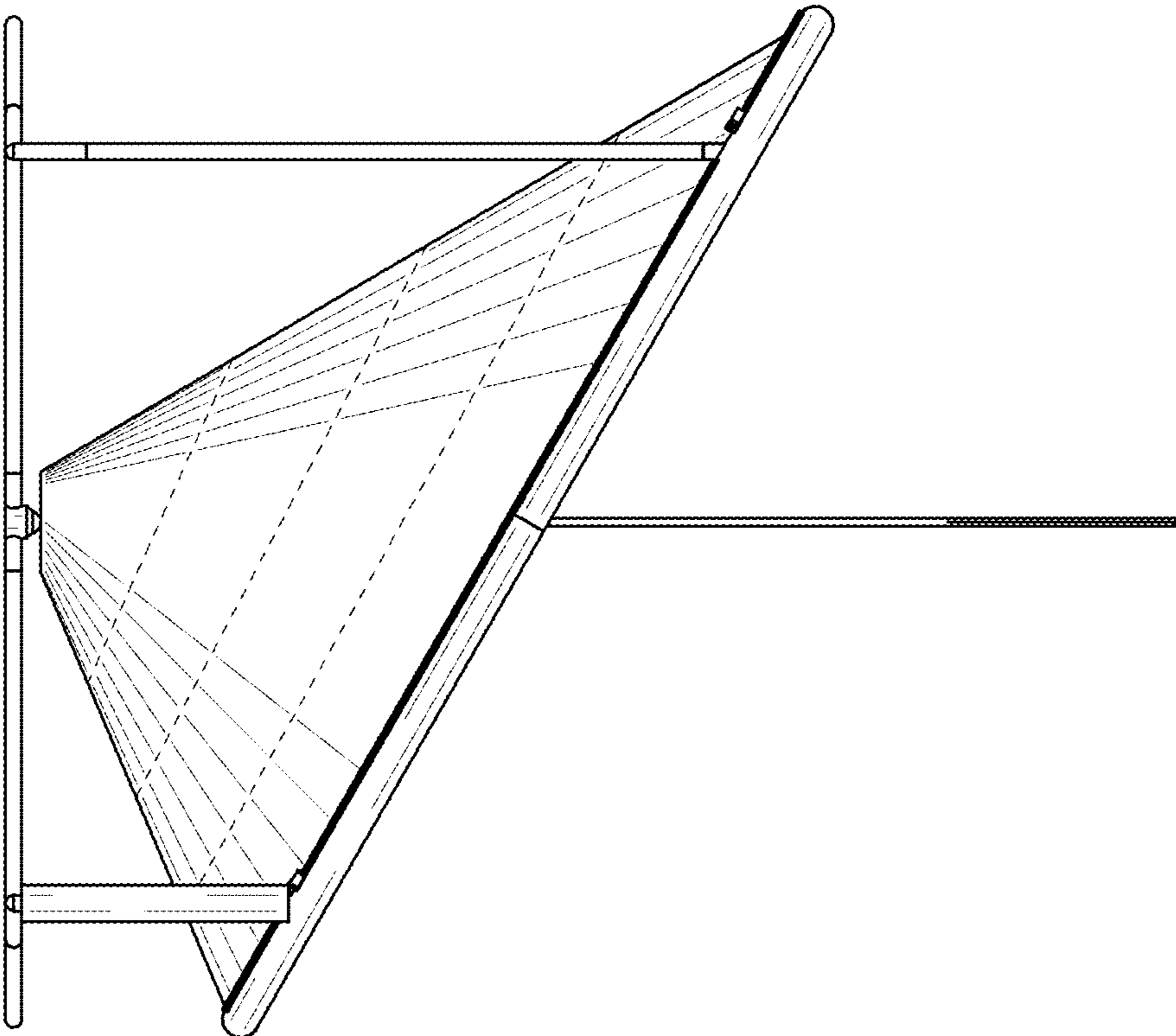


FIG. 4

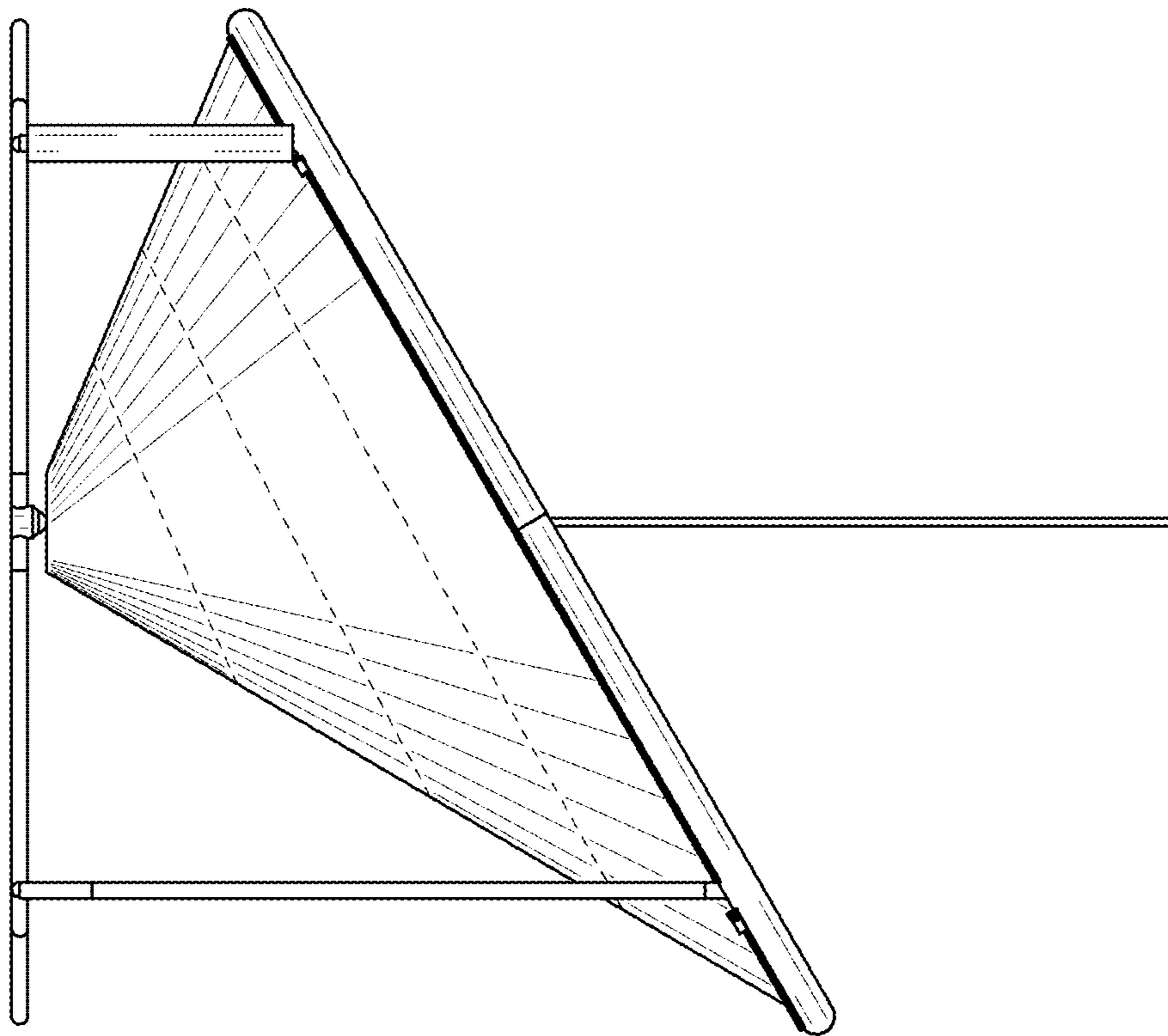


FIG. 5

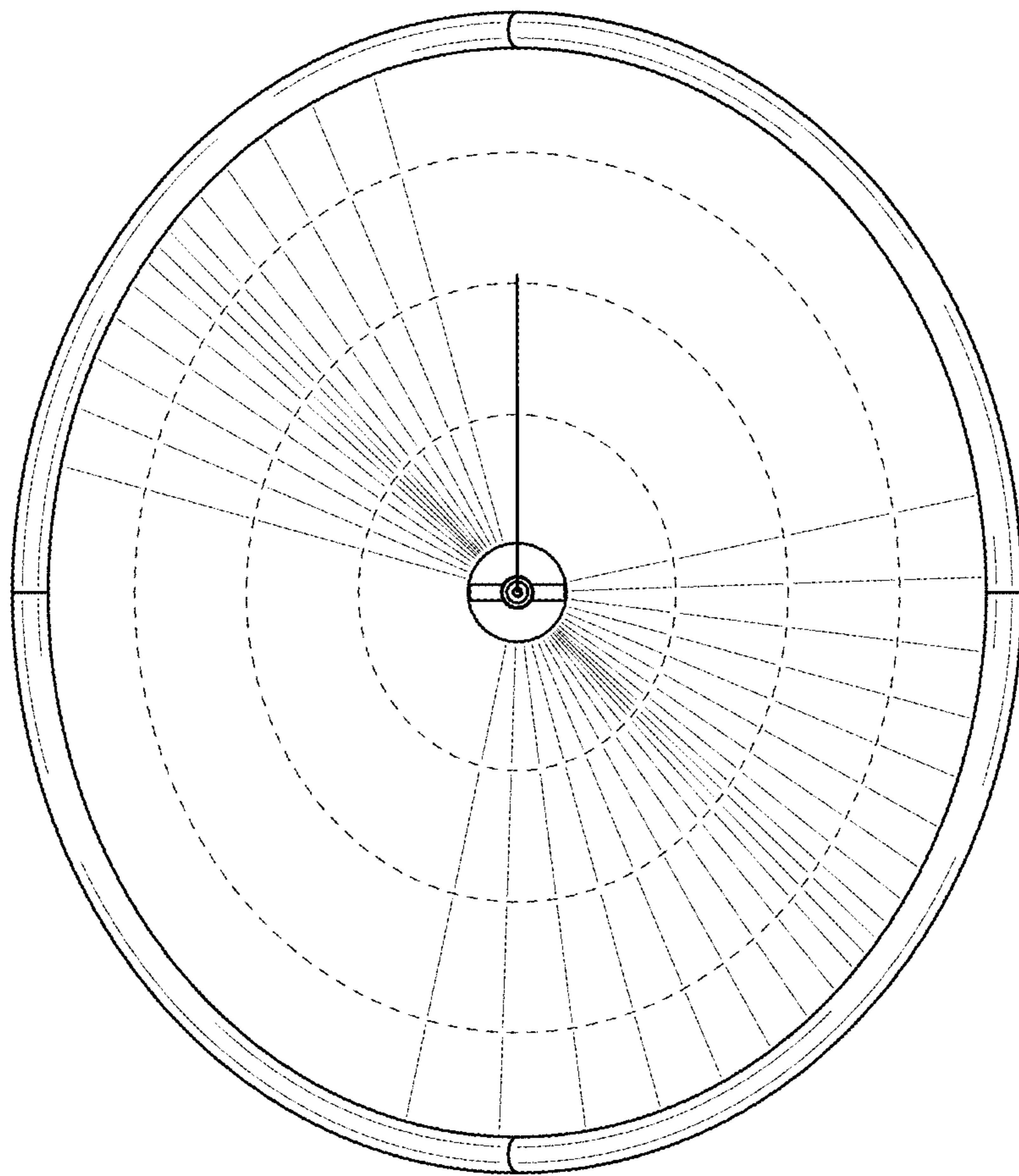


FIG. 6



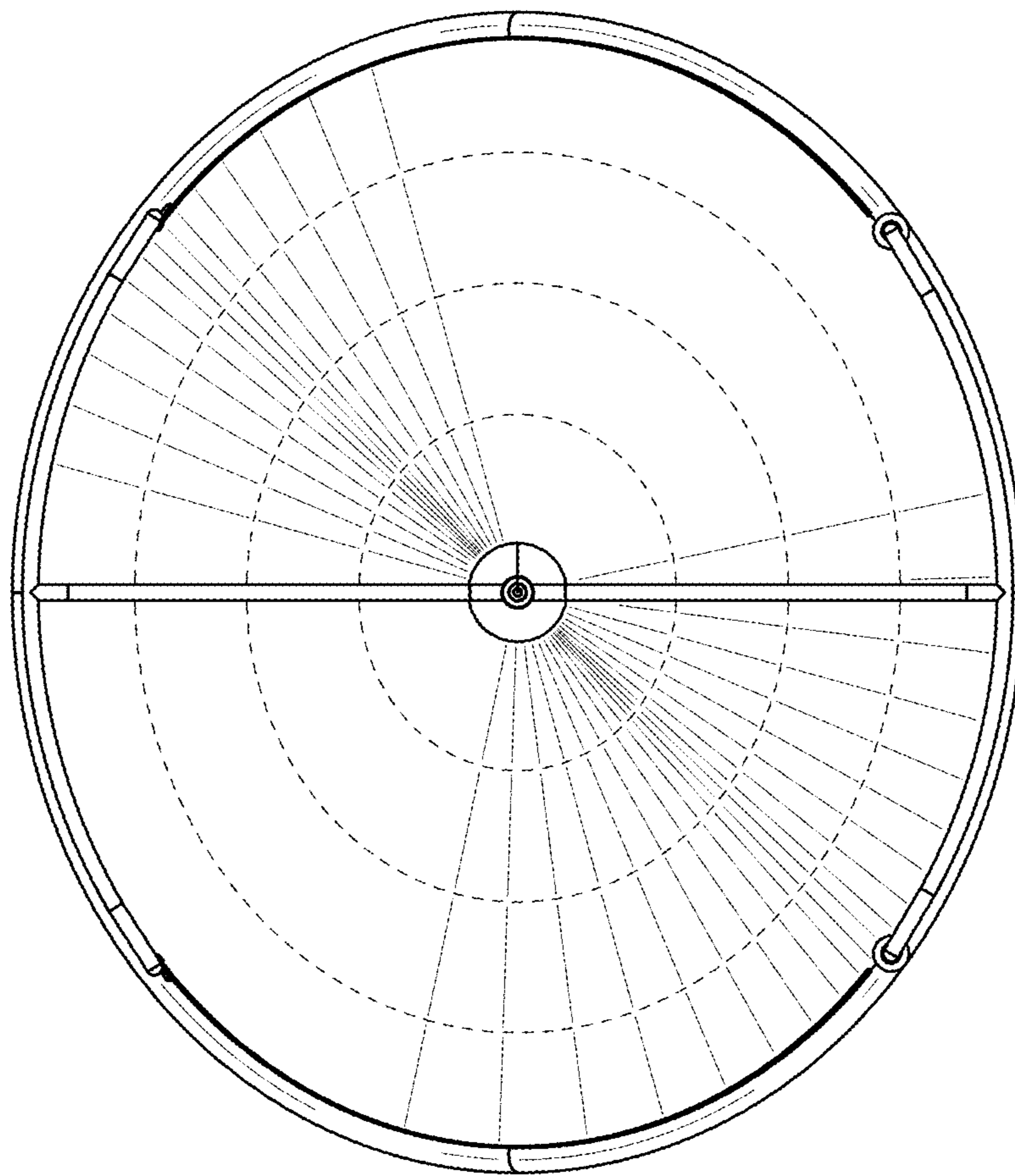


FIG. 7

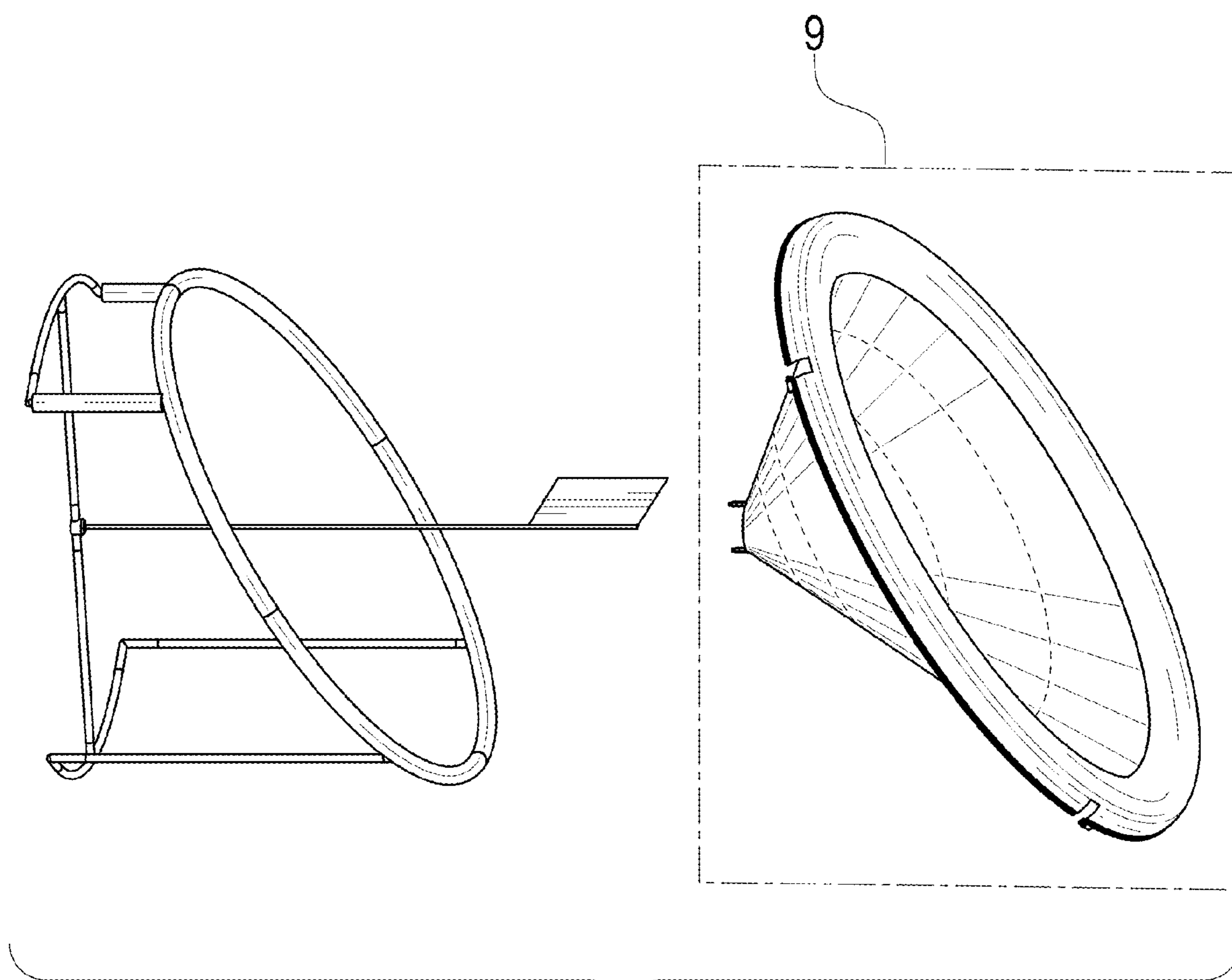


FIG. 8



FIG. 9

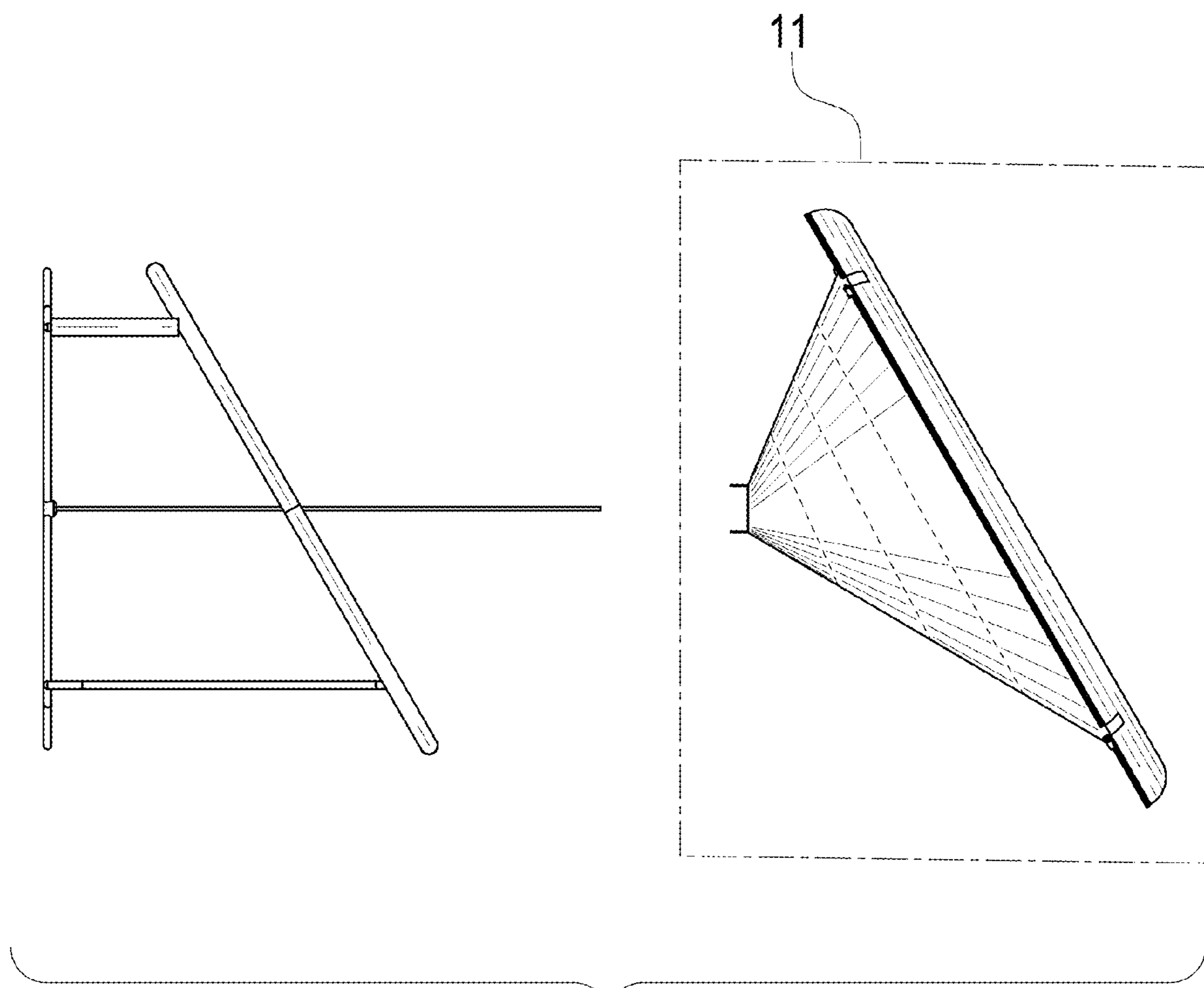


FIG. 10

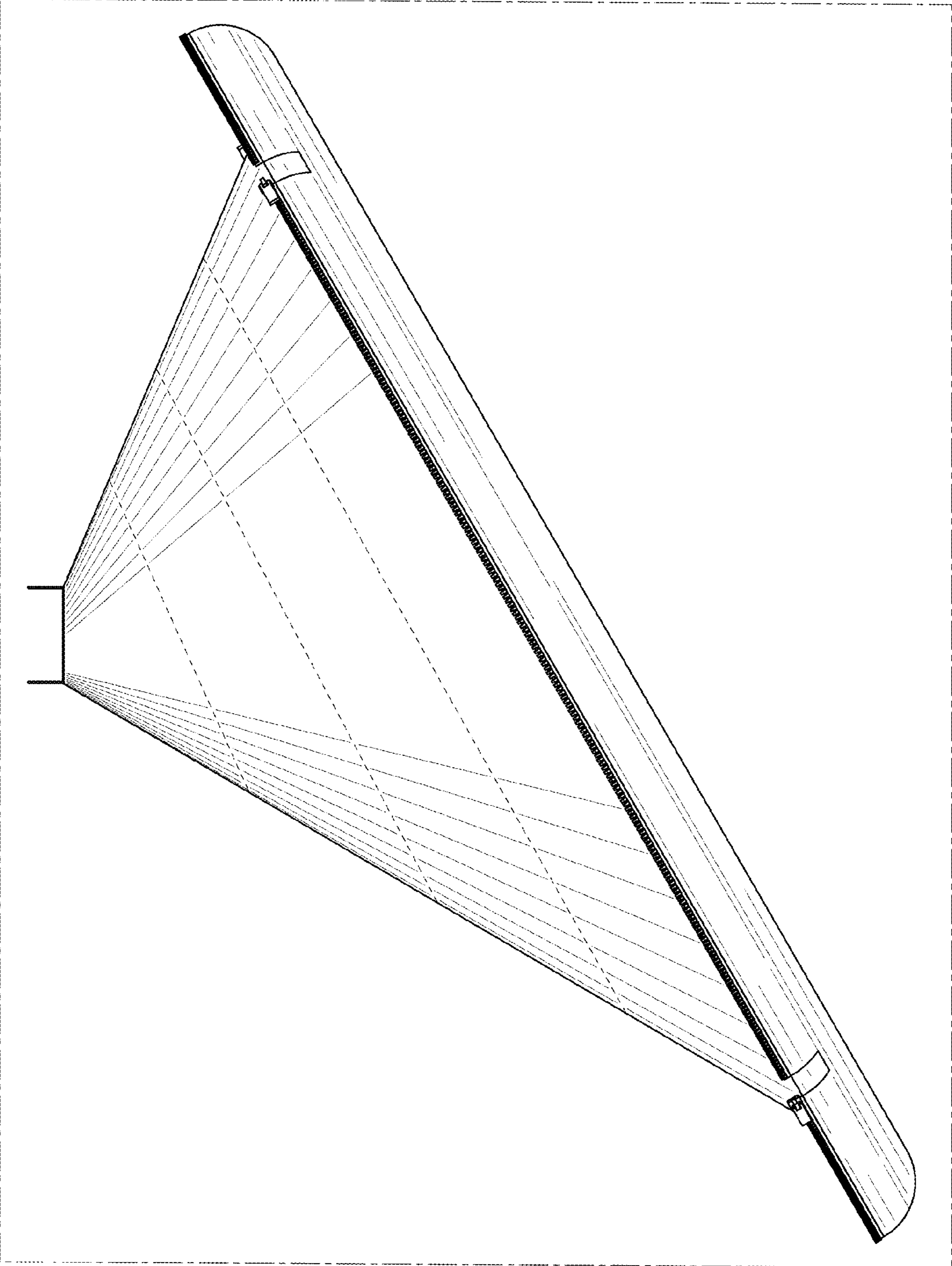


FIG. 11

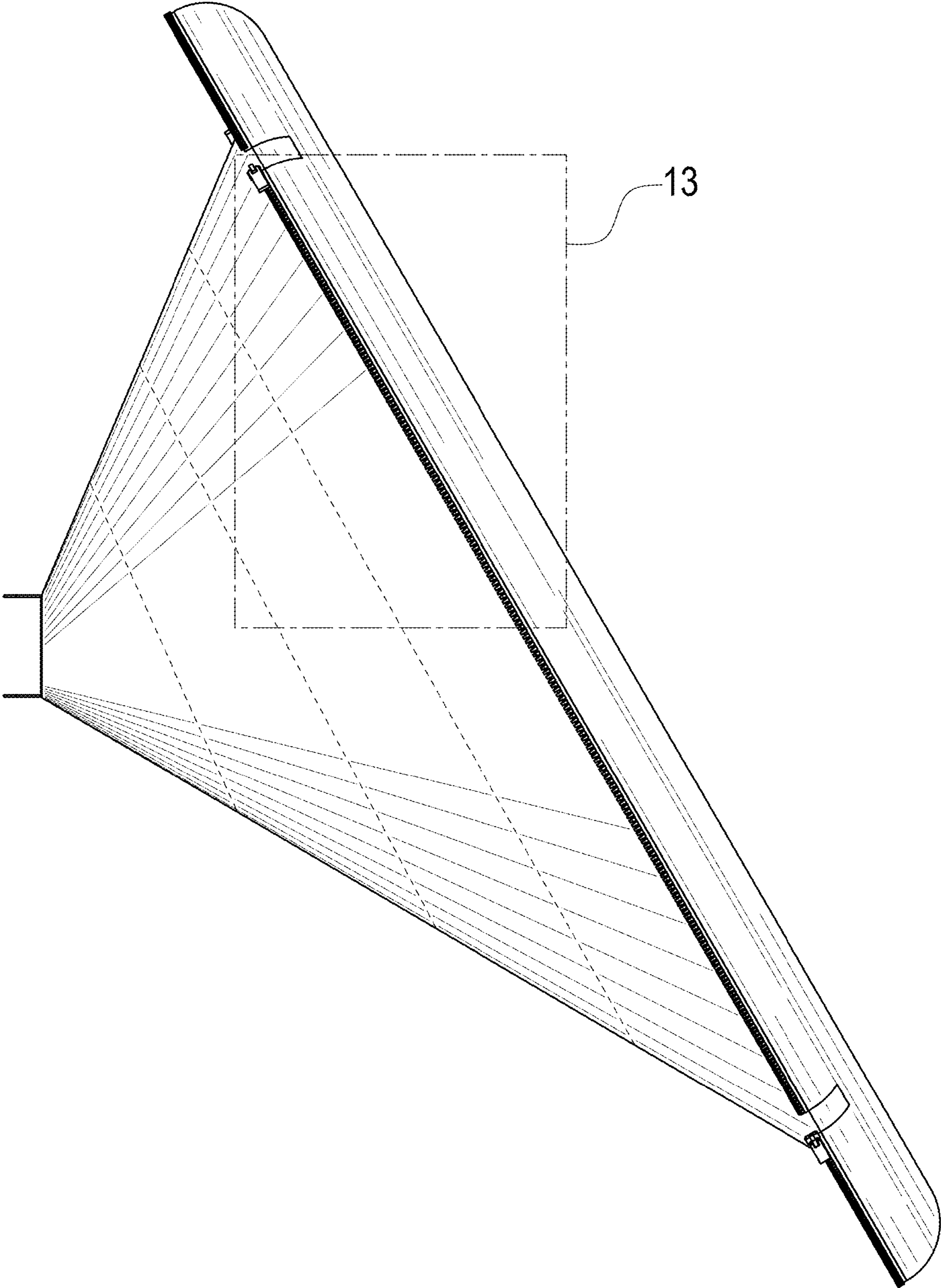


FIG. 12

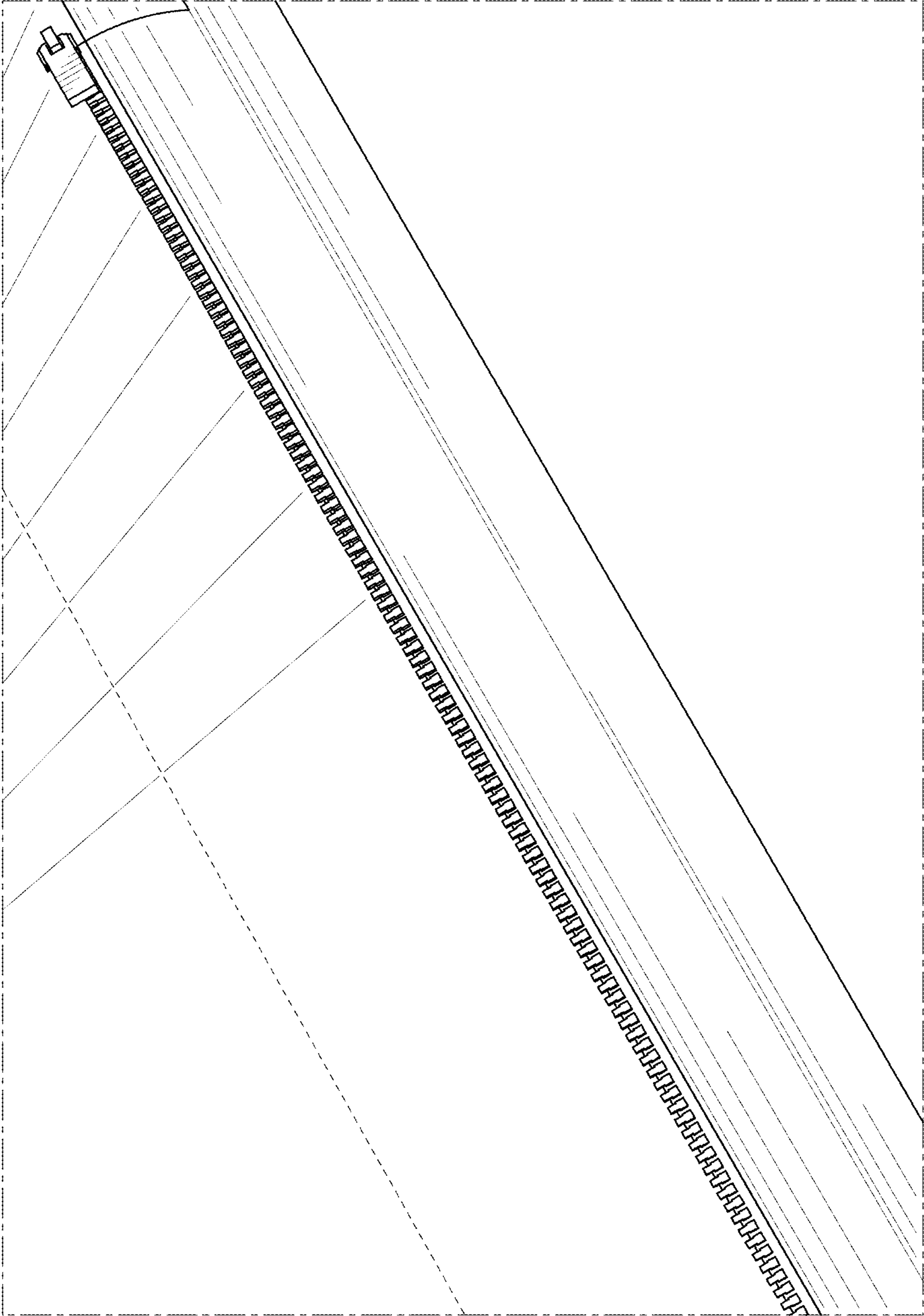


FIG. 13