



US00D953426S

(12) **United States Design Patent** (10) **Patent No.:** **US D953,426 S**  
**Luo** (45) **Date of Patent:** **\*\* May 31, 2022**

(54) **MARKER ATTACHMENT**  
(71) Applicant: **Huiliang Luo**, Yichun (CN)  
(72) Inventor: **Huiliang Luo**, Yichun (CN)  
(\*\*) Term: **15 Years**  
(21) Appl. No.: **29/786,255**  
(22) Filed: **May 30, 2021**  
(51) **LOC (13) Cl.** ..... **19-06**  
(52) **U.S. Cl.**  
USPC ..... **D19/202**  
(58) **Field of Classification Search**  
USPC ..... D19/115, 192-204; D10/73, 74;  
D14/411  
CPC . B43K 5/005; B43K 7/12; B43K 8/00; B43K  
8/02; B43K 8/04; B43K 8/06; B43K  
21/006; B43K 21/06; B43K 23/004  
See application file for complete search history.

D899,098 S \* 10/2020 Makabi ..... D4/138  
D902,997 S \* 11/2020 Wolter ..... D19/202  
D902,998 S \* 11/2020 Wolter ..... D19/202  
D902,999 S \* 11/2020 Wolter ..... D19/202  
D916,965 S \* 4/2021 Ghaloostian ..... D19/197  
2007/0048061 A1\* 3/2007 Travers ..... B65D 75/366  
401/6  
2007/0297847 A1\* 12/2007 Rolion ..... B43K 24/04  
401/208  
2012/0318707 A1\* 12/2012 Zivitz ..... B43K 29/007  
206/575

(Continued)

**OTHER PUBLICATIONS**

Pen/Marker Adapter Set, by Manufacturer LiangHuLo, ASIN: B09BFFB4Q6, online on Amazon.com, Date First Available: Jul. 29, 2021.\*

*Primary Examiner* — Elizabeth A. Albert

(57) **CLAIM**

The ornamental design for a marker attachment, as shown and described.

(56) **References Cited**

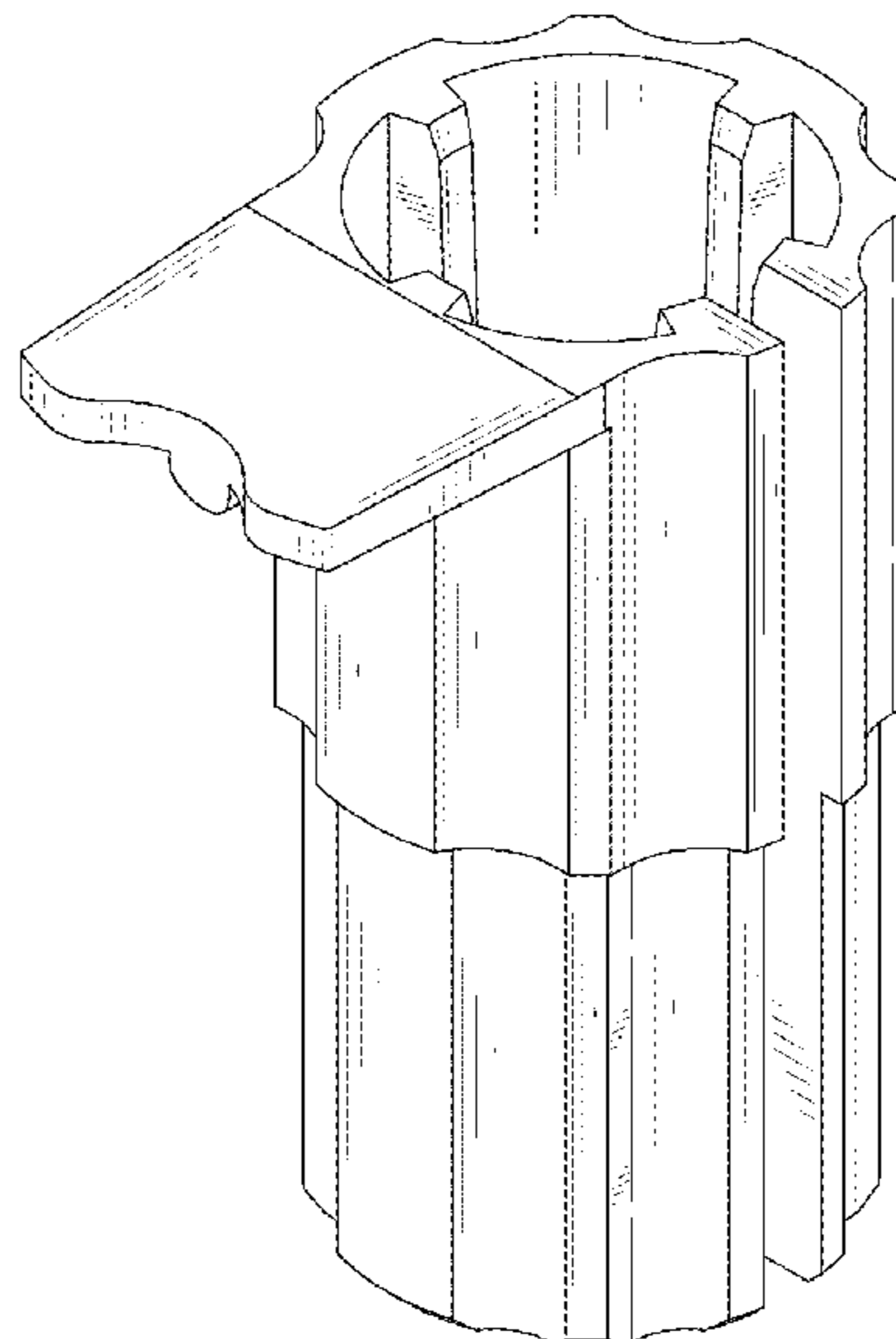
**U.S. PATENT DOCUMENTS**

209,411 A \* 10/1878 McGill ..... B26B 5/006  
30/320  
D107,499 S \* 12/1937 Cook ..... D19/198  
D108,719 S \* 3/1938 Morgan ..... D21/700  
D145,182 S \* 7/1946 Mallard ..... D19/198  
2,870,740 A \* 1/1959 Vogt ..... B43K 23/016  
401/34  
D196,993 S \* 11/1963 Green ..... D19/190  
3,344,464 A \* 10/1967 Ostrowski ..... B43K 29/02  
16/108  
D357,278 S \* 4/1995 Turney ..... D19/197  
D358,168 S \* 5/1995 Osada ..... D19/170  
D470,780 S \* 2/2003 Hsieh ..... D10/73  
D630,842 S 1/2011 Fonseca  
D645,506 S \* 9/2011 Hung ..... D19/117  
9,676,224 B2\* 6/2017 Gardner ..... B43K 8/003  
D843,452 S \* 3/2019 Marshall ..... D19/203  
D888,824 S 6/2020 Ding  
D891,707 S 7/2020 Dwyer et al.

**DESCRIPTION**

FIG. 1 is a first perspective view of a marker attachment showing my new design;  
FIG. 2 is a second perspective view thereof;  
FIG. 3 is a front view thereof;  
FIG. 4 is a back view thereof;  
FIG. 5 is a left side view thereof;  
FIG. 6 is a right side view thereof;  
FIG. 7 is a top view thereof;  
FIG. 8 is a bottom view thereof; and,  
FIG. 9 is a perspective view of the using state of the marker attachment thereof.  
The broken lines shown in the drawings depict portions of the marker attachment that form no part of the claimed design.

**1 Claim, 9 Drawing Sheets**



(56)

**References Cited**

U.S. PATENT DOCUMENTS

2018/0037050 A1\* 2/2018 Marshall ..... B43K 23/008  
2020/0297938 A1\* 9/2020 Srinivasan ..... A61M 5/002

\* cited by examiner

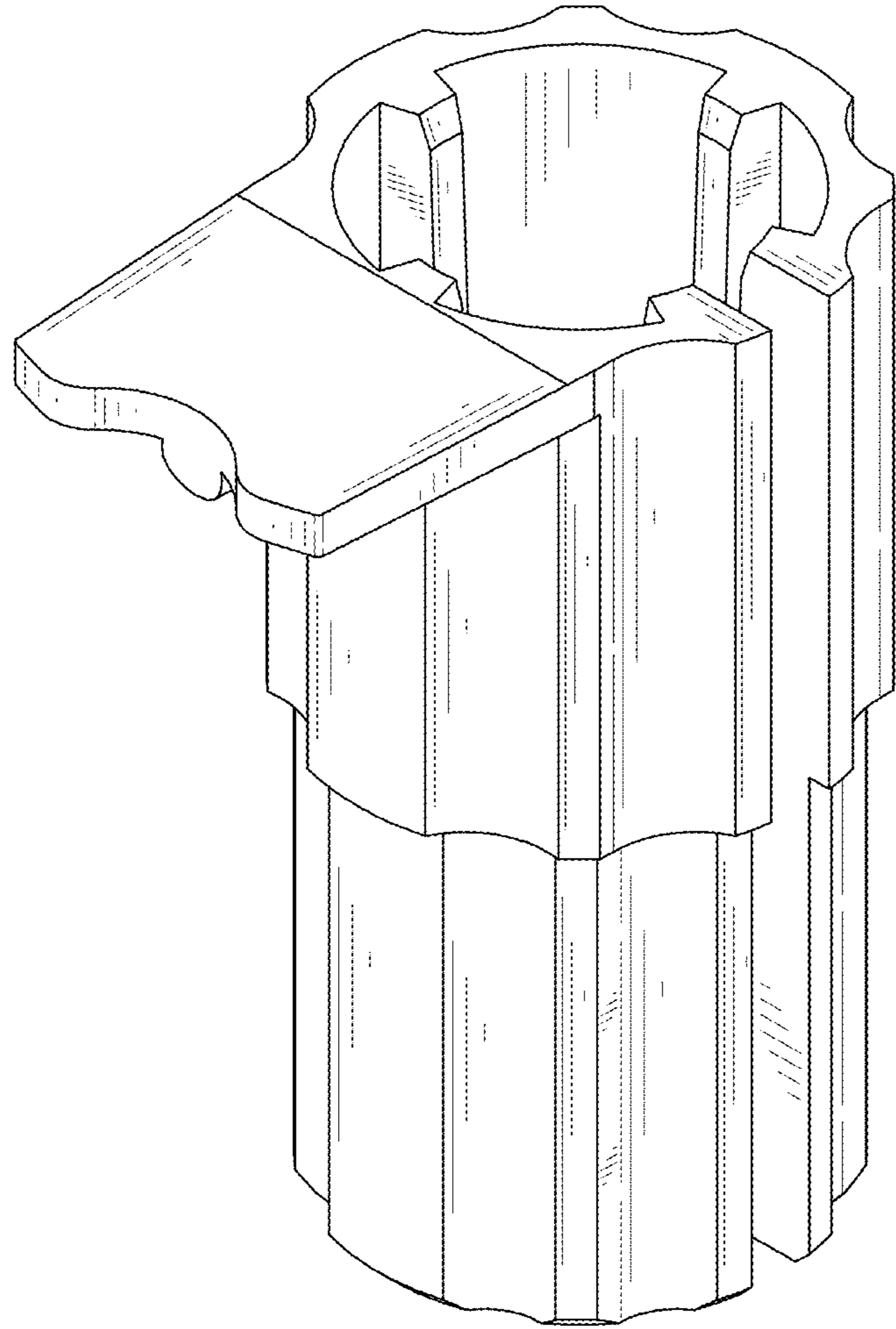


FIG. 1

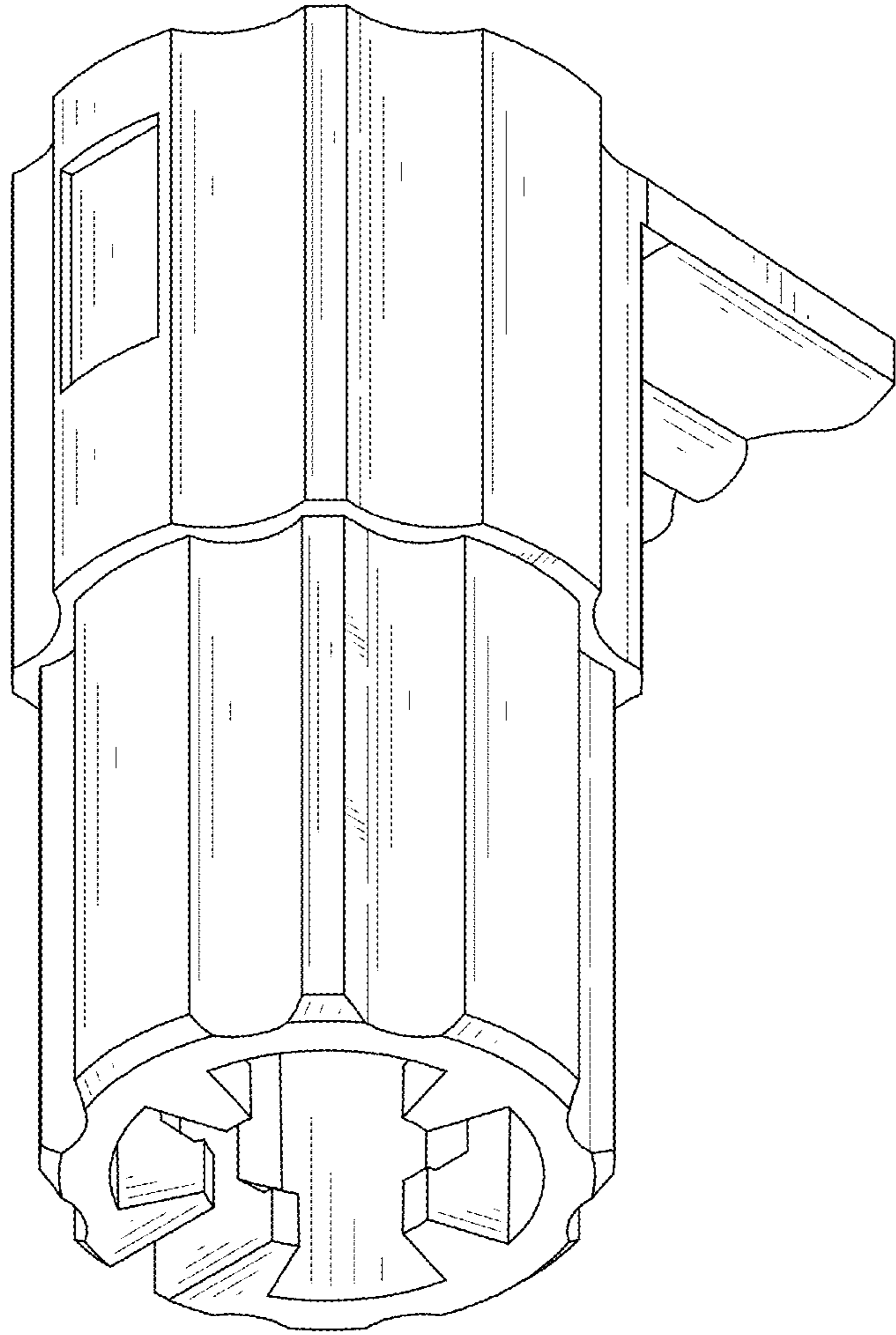


FIG. 2

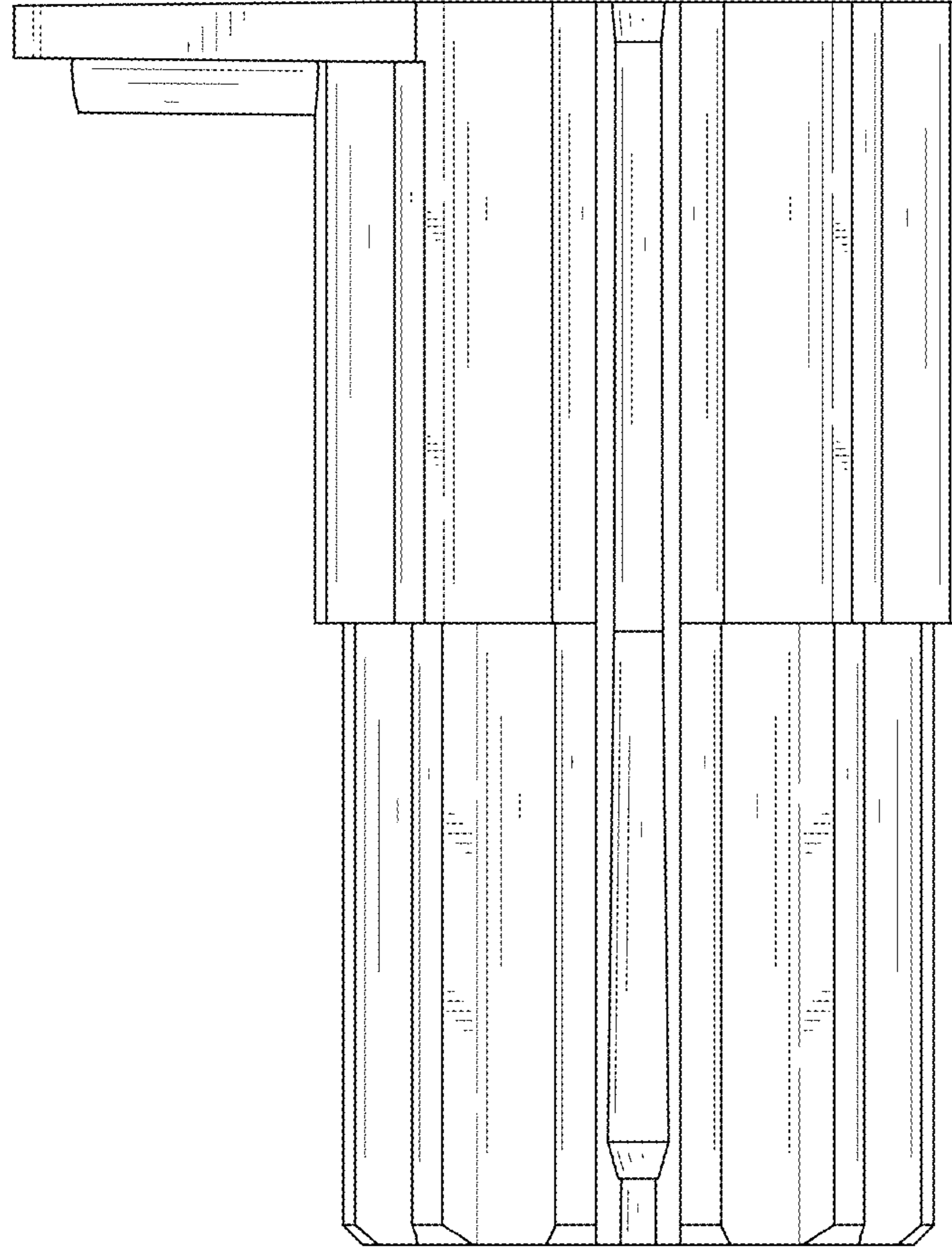


FIG. 3

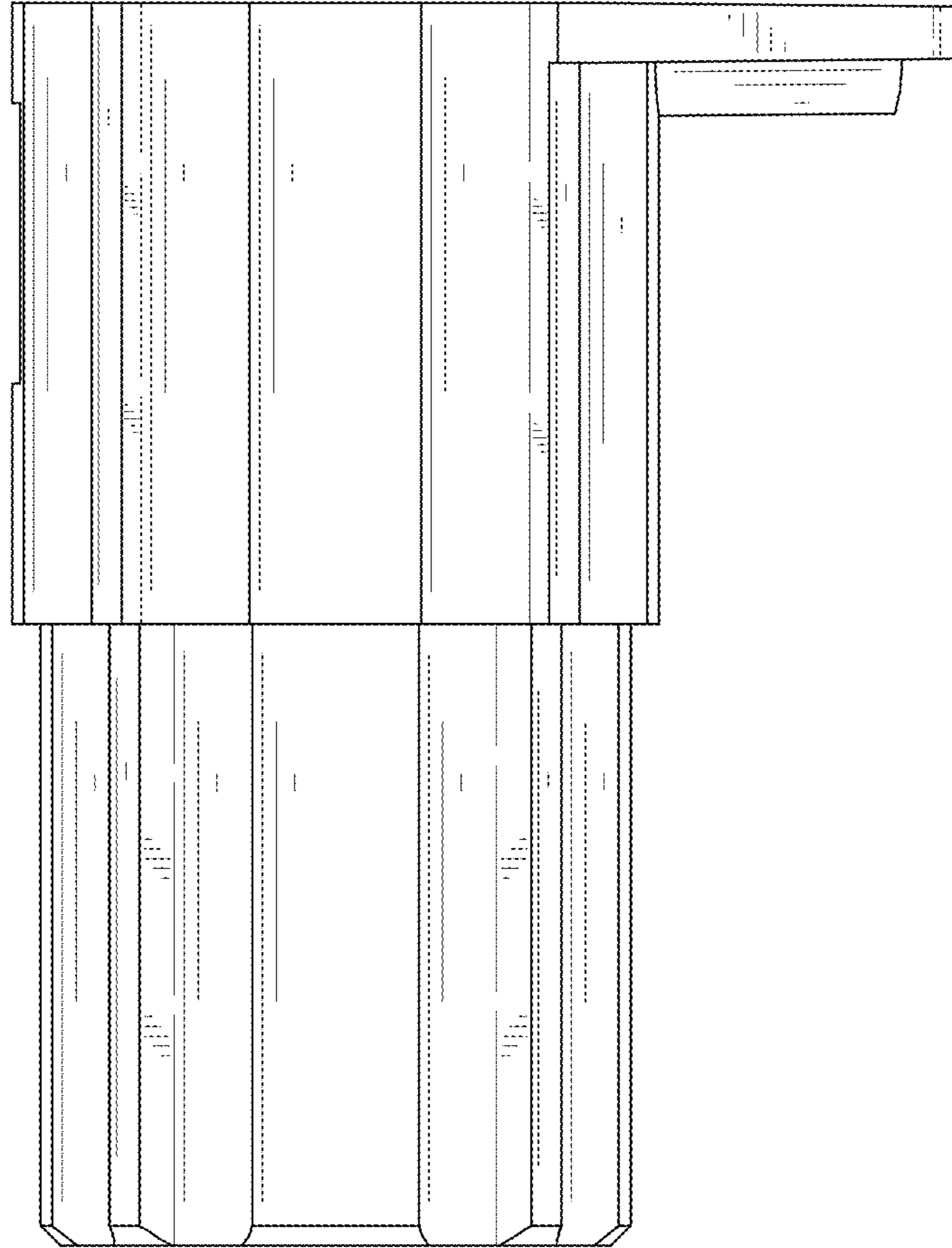


FIG. 4

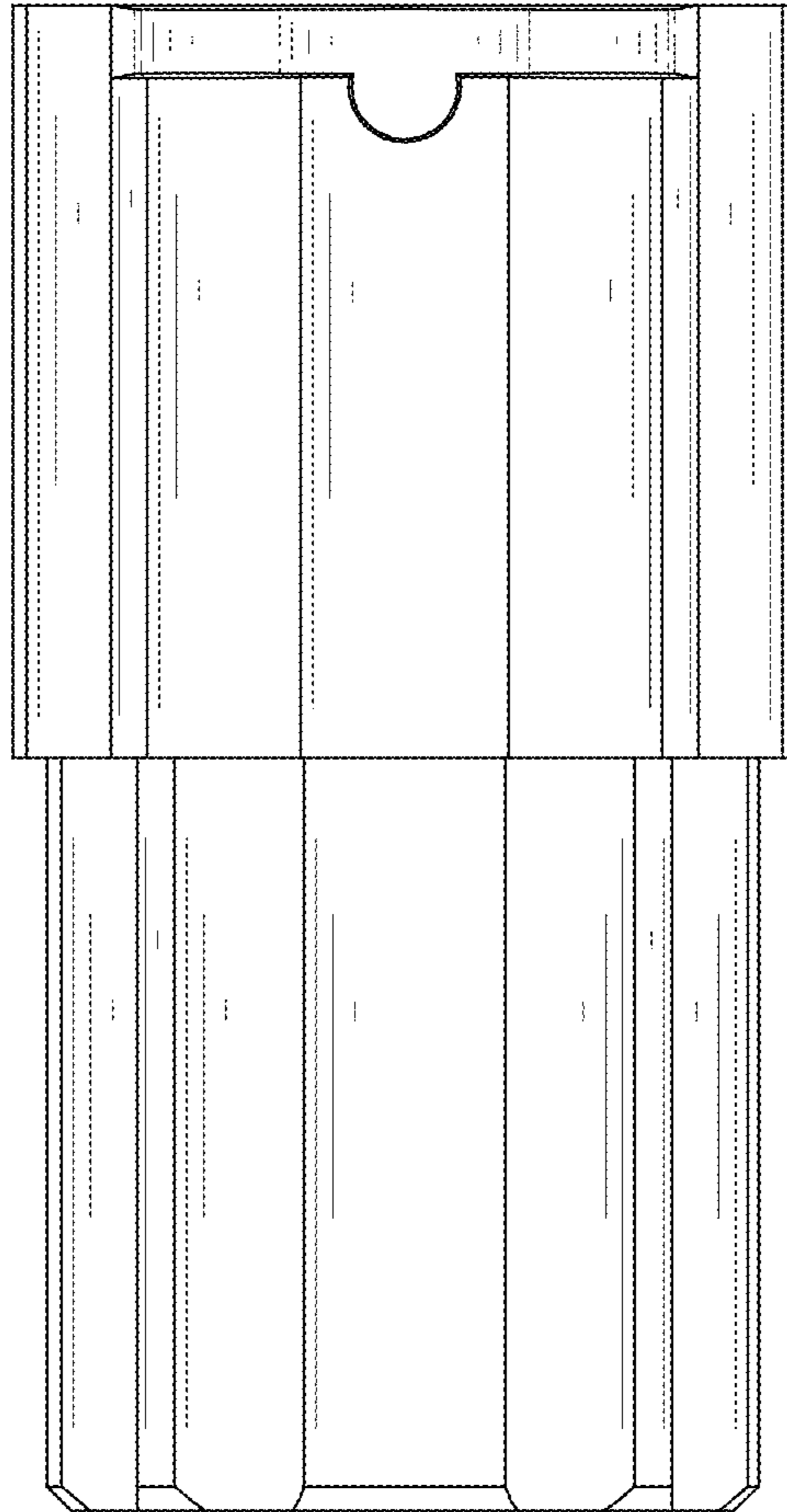


FIG. 5

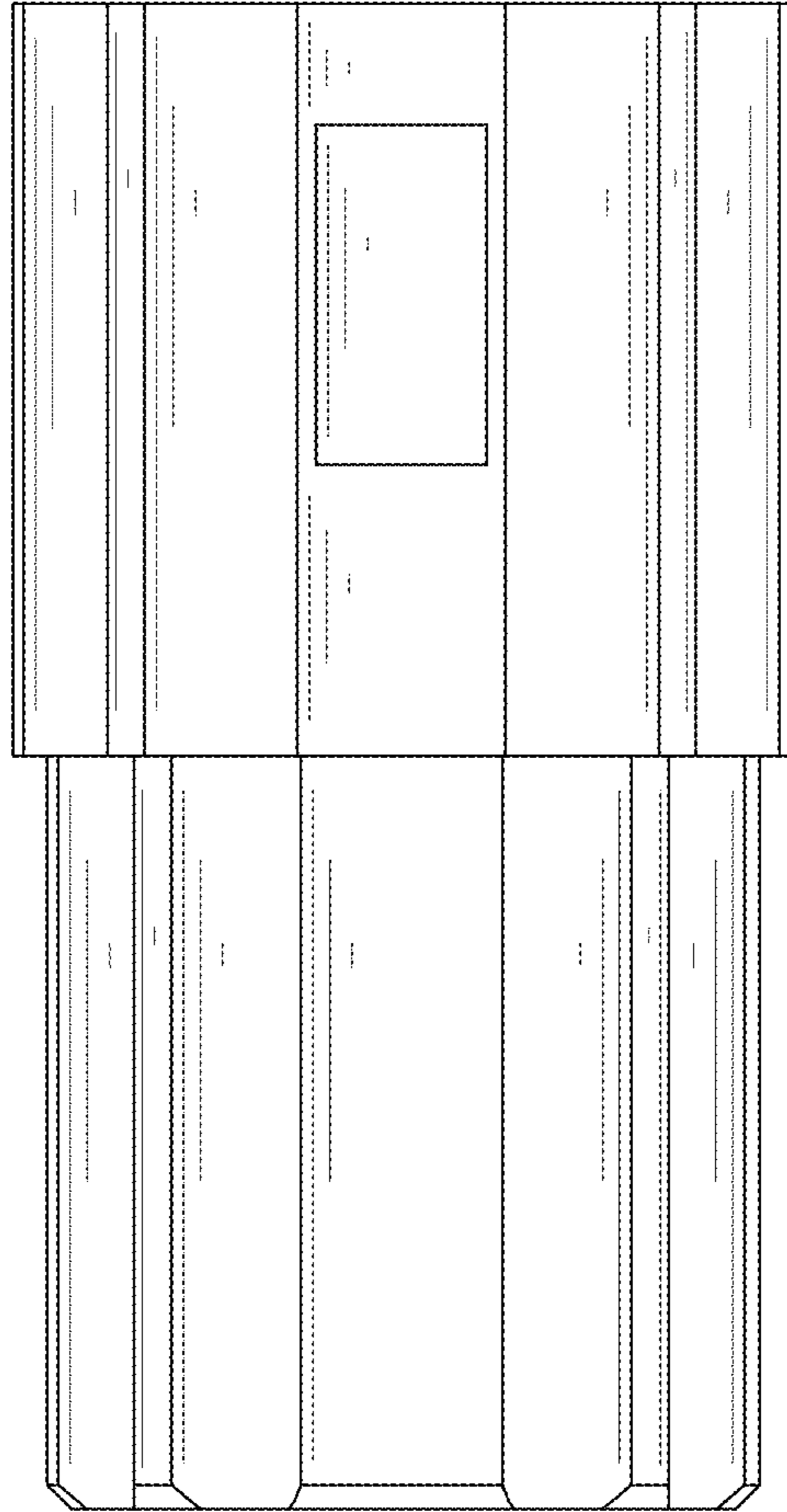


FIG. 6



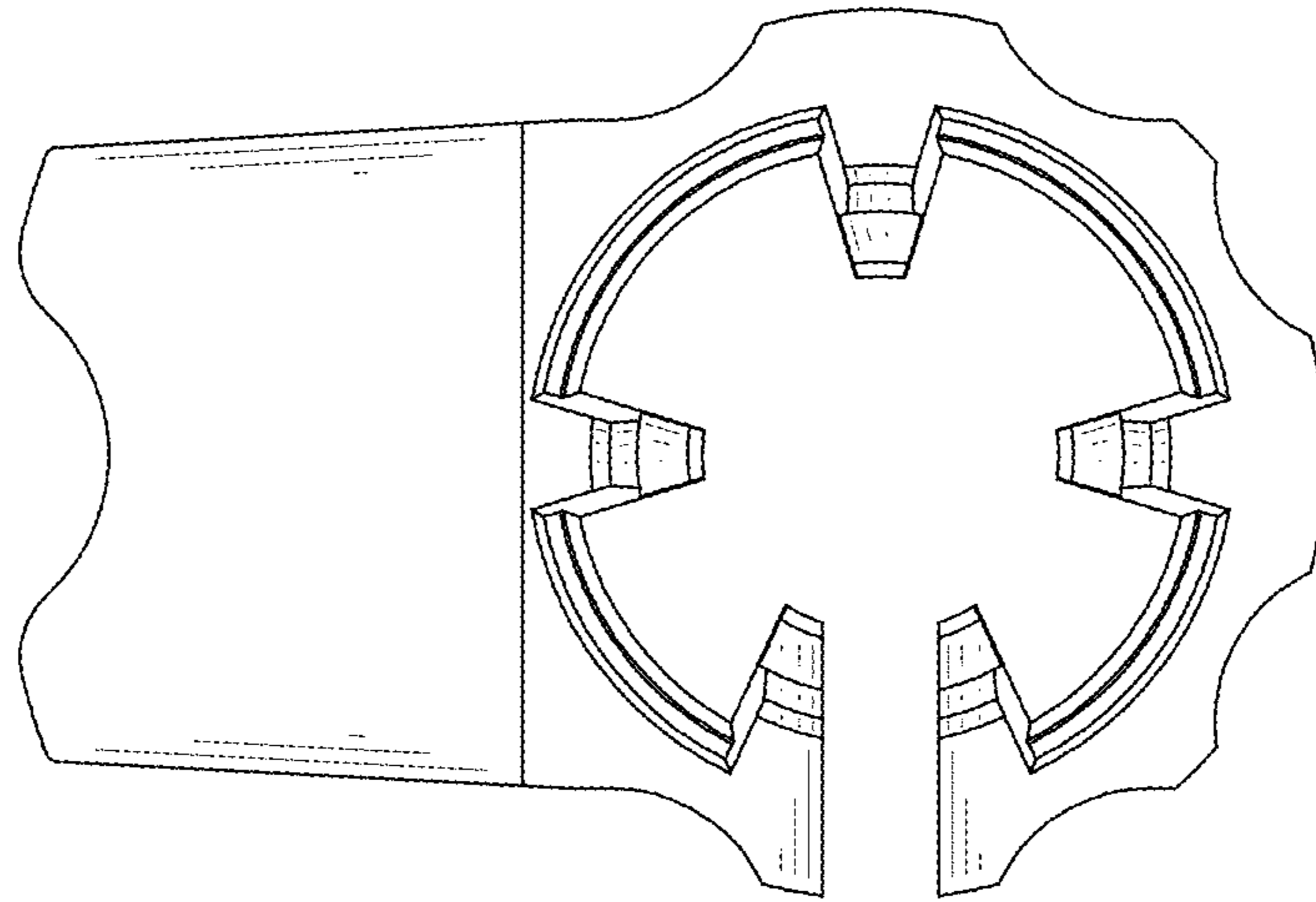


FIG. 7

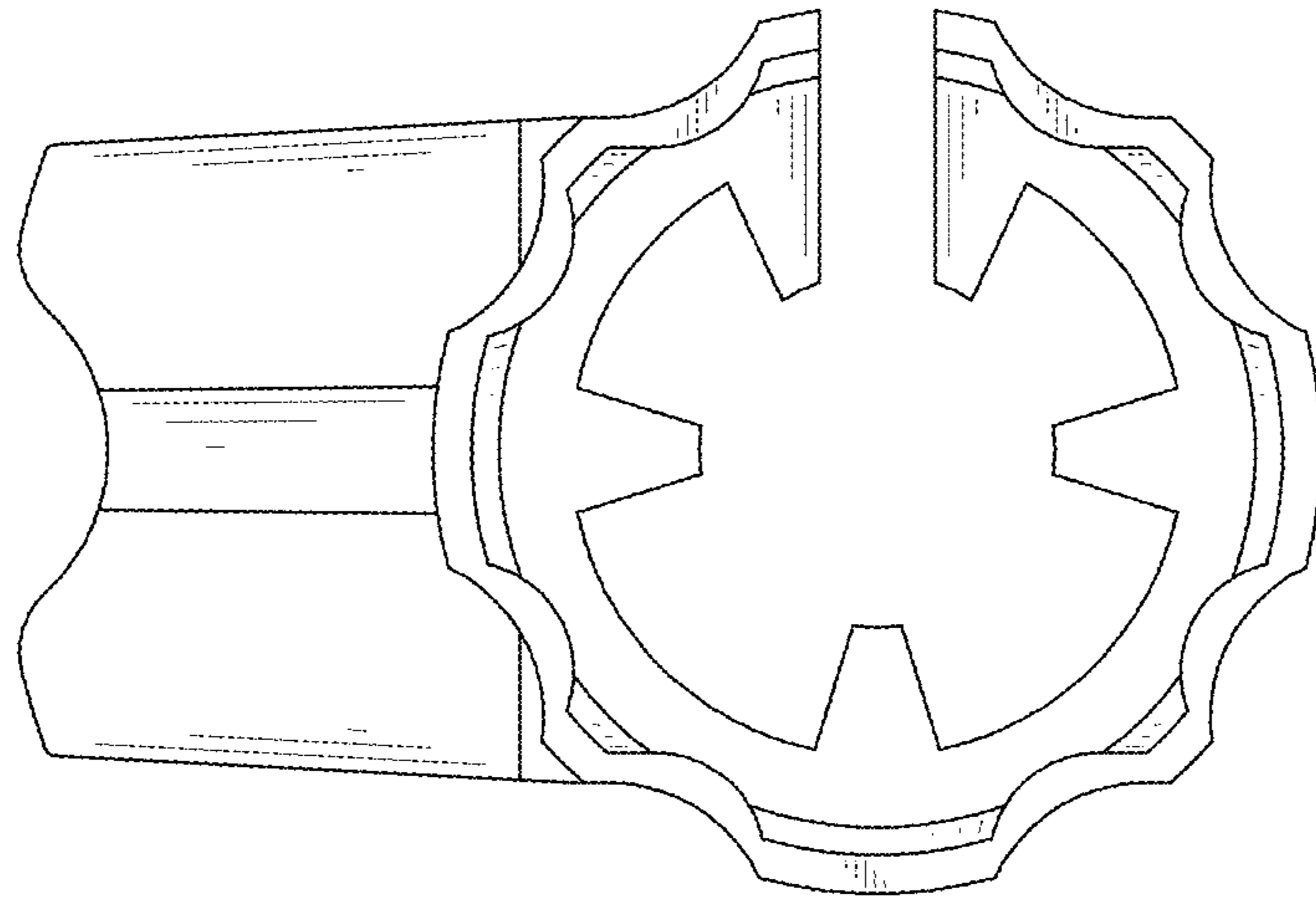


FIG. 8



FIG. 9