



US00D953425S

(12) **United States Design Patent** (10) **Patent No.:** **US D953,425 S**
Luo (45) **Date of Patent:** **** May 31, 2022**

(54) **MARKER ATTACHMENT**

(71) Applicant: **Huiliang Luo**, Yichun (CN)

(72) Inventor: **Huiliang Luo**, Yichun (CN)

(**) Term: **15 Years**

(21) Appl. No.: **29/782,773**

(22) Filed: **May 9, 2021**

(51) **LOC (13) Cl.** **19-06**

(52) **U.S. Cl.**
USPC **D19/202**

(58) **Field of Classification Search**
USPC D19/115, 192-204; D10/73, 74;
D14/411
CPC . B43K 5/005; B43K 7/12; B43K 8/00; B43K
8/02; B43K 8/04; B43K 8/06; B43K
21/006; B43K 21/06; B43K 23/004
See application file for complete search history.

(56) **References Cited**

U.S. PATENT DOCUMENTS

209,411	A *	10/1878	McGill	B26B 5/006 30/320
210,256	A *	11/1878	Hoffman	B44D 3/225 33/41.6
1,478,049	A *	12/1923	Nelson	B43K 29/18 24/11 CC
D248,862	S *	8/1978	Miyamoto	D19/123
D357,278	S *	4/1995	Turney	D19/197
D358,168	S *	5/1995	Osada	D19/170
D426,378	S *	6/2000	Cohen	D3/215
6,347,898	B1 *	2/2002	Rhodes	B43K 29/02 401/195
D470,780	S *	2/2003	Hsieh	D10/73
D570,415	S *	6/2008	Richter	D19/197
D586,420	S	2/2009	Tyndale-Biscoe	
D588,912	S *	3/2009	Christensen	D9/434
D682,939	S *	5/2013	Larson	D19/197
D730,448	S	5/2015	Rau et al.	

D852,887	S *	7/2019	Mitchell	D19/197
D880,059	S	3/2020	Goldstein	
D902,997	S *	11/2020	Wolter	D19/202
D902,998	S *	11/2020	Wolter	D19/202
D902,999	S *	11/2020	Wolter	D19/202
D916,965	S *	4/2021	Ghaloostian	D19/197
2007/0048061	A1 *	3/2007	Travers	B65D 75/366 401/6
2012/0318707	A1 *	12/2012	Zivitz	B43K 29/007 206/575

OTHER PUBLICATIONS

SPPQ Pen Adapter Set, 91 ratings, Manufacturer Part No. SP210510_ JOY04, ASIN: B094JMKT1R, online on Amazon.com, Date First Available: May 10, 2021.*

* cited by examiner

Primary Examiner — Elizabeth A. Albert

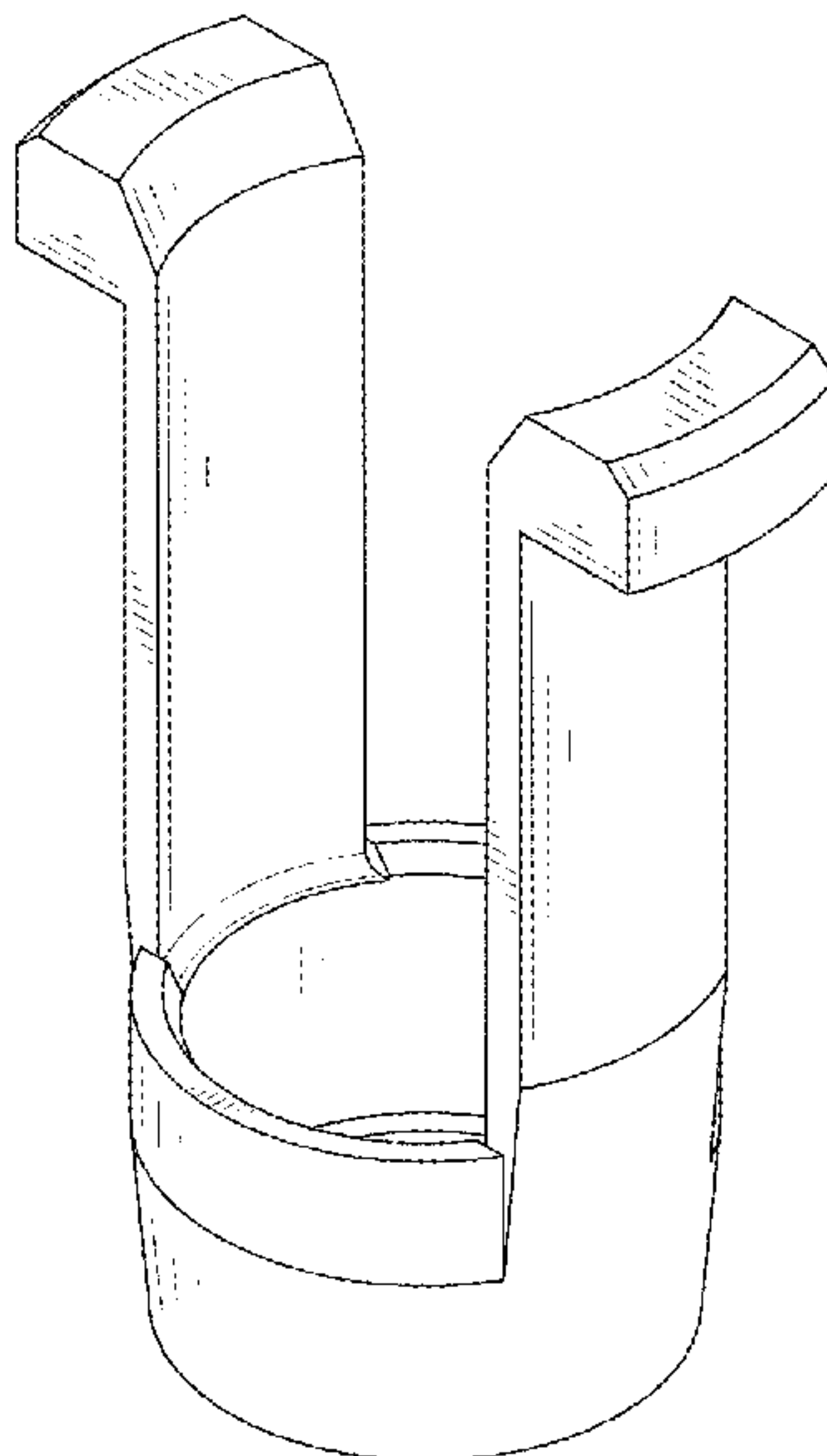
(57) **CLAIM**

The ornamental design for a marker attachment, as shown and described.

DESCRIPTION

FIG. 1 is a first perspective view of a marker attachment showing my new design;
FIG. 2 is a second perspective view thereof;
FIG. 3 is a front view thereof;
FIG. 4 is a back view thereof;
FIG. 5 is a left side view thereof;
FIG. 6 is a right side view thereof;
FIG. 7 is a top view thereof;
FIG. 8 is a bottom view thereof; and,
FIG. 9 is a perspective view of another state of the marker attachment thereof.
The broken lines shown in the drawings depict portions of the marker attachment in which the design is embodied that form no part of the claimed design.

1 Claim, 9 Drawing Sheets



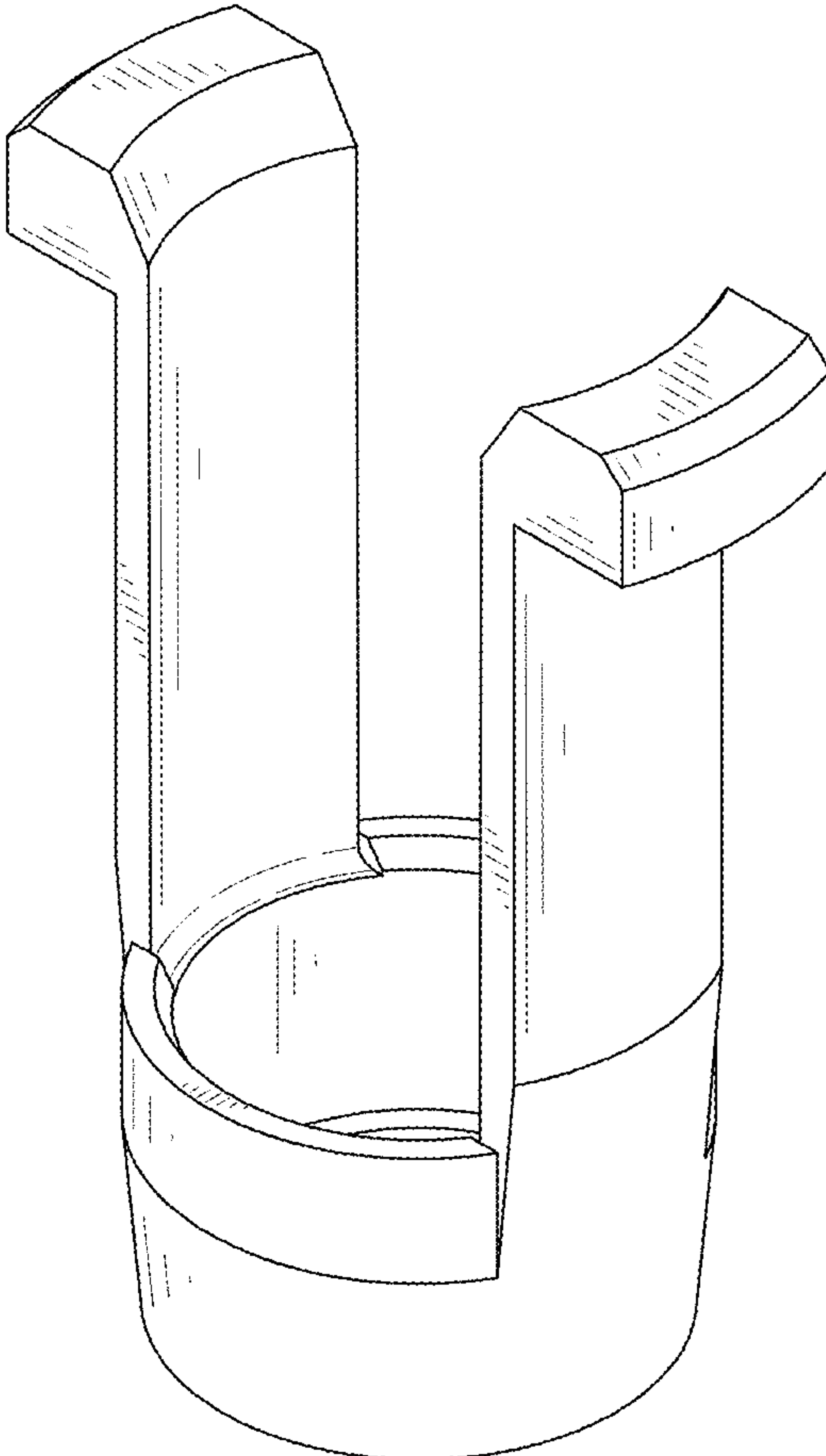


FIG. 1

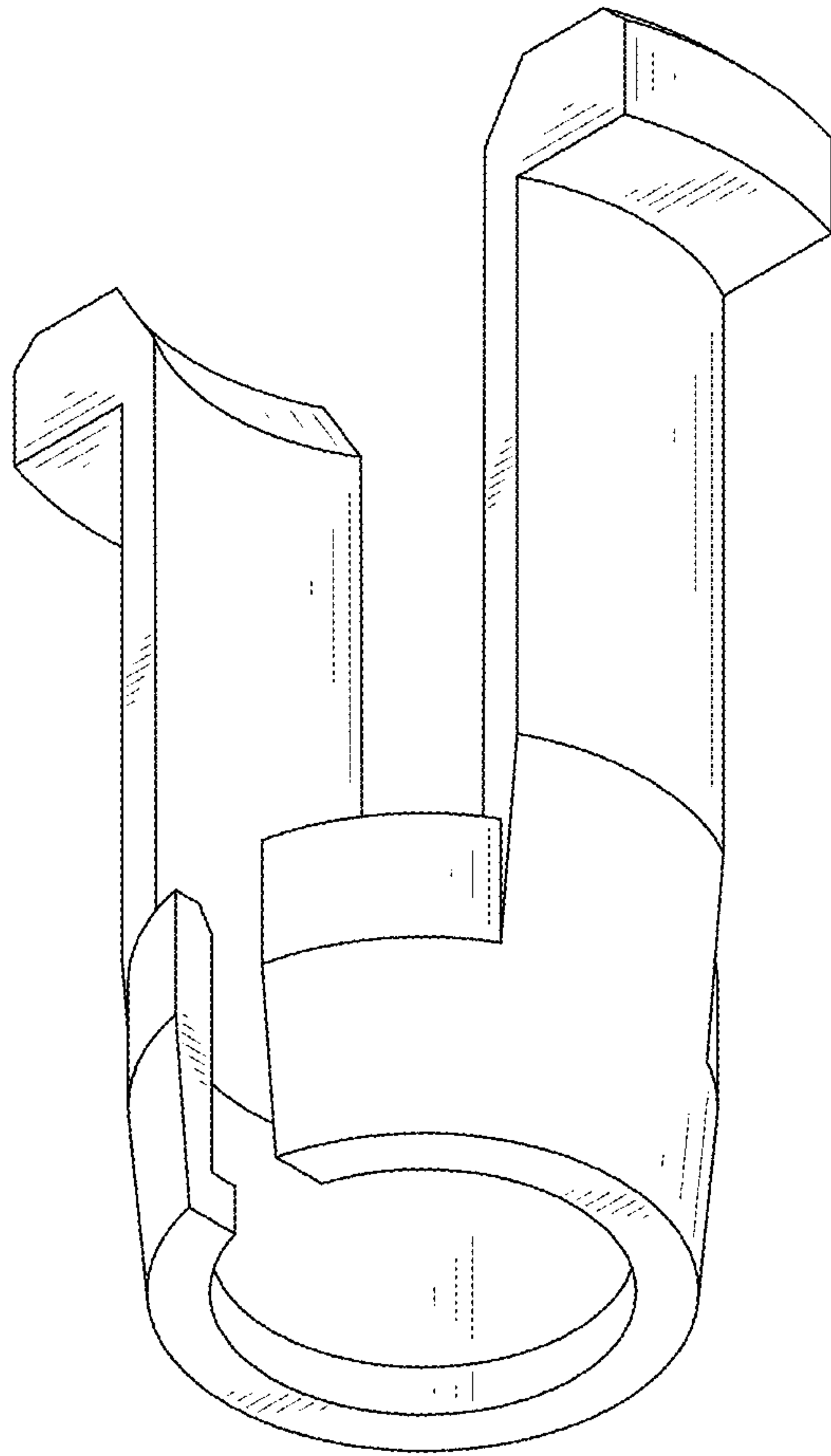


FIG. 2

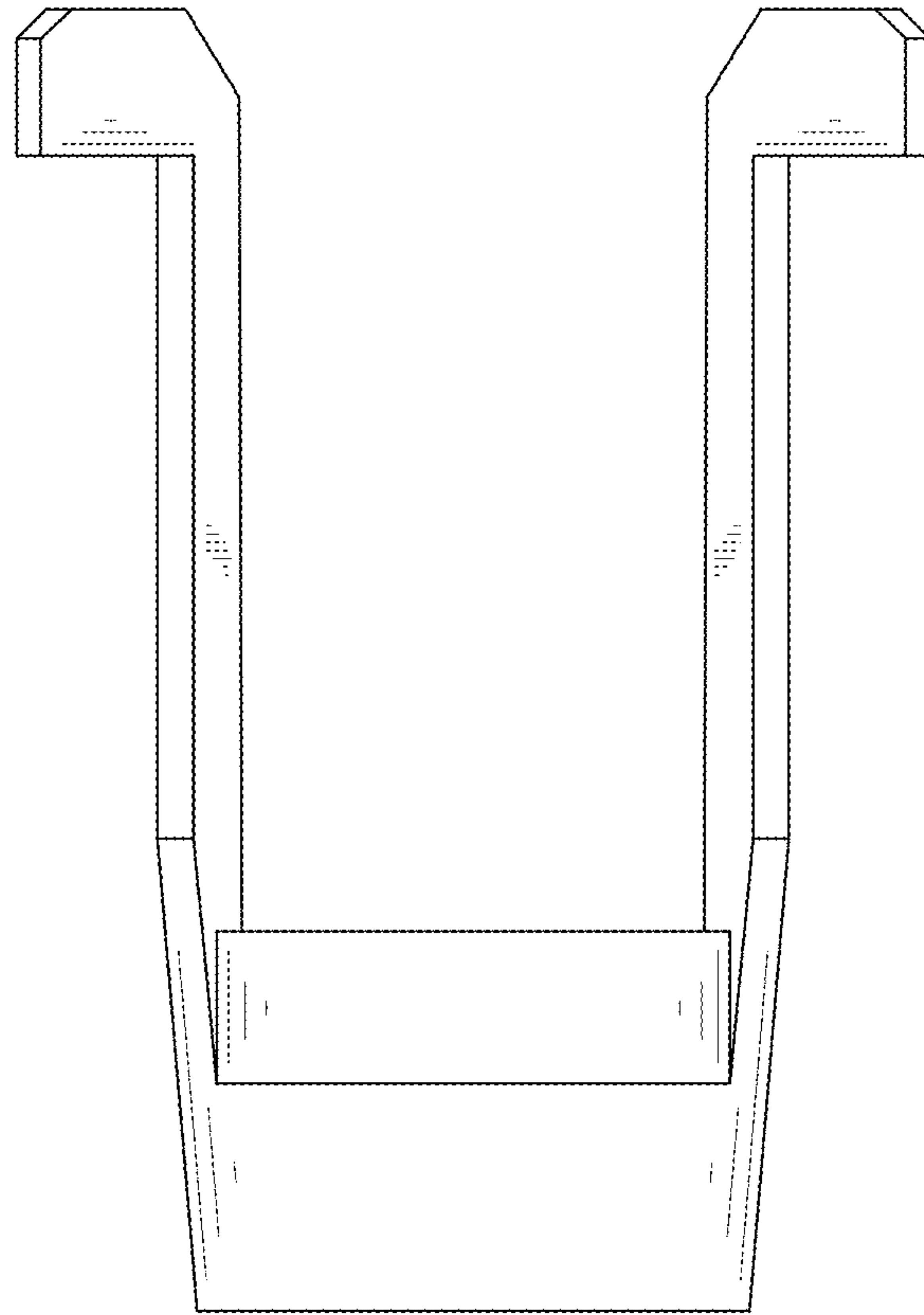


FIG. 3

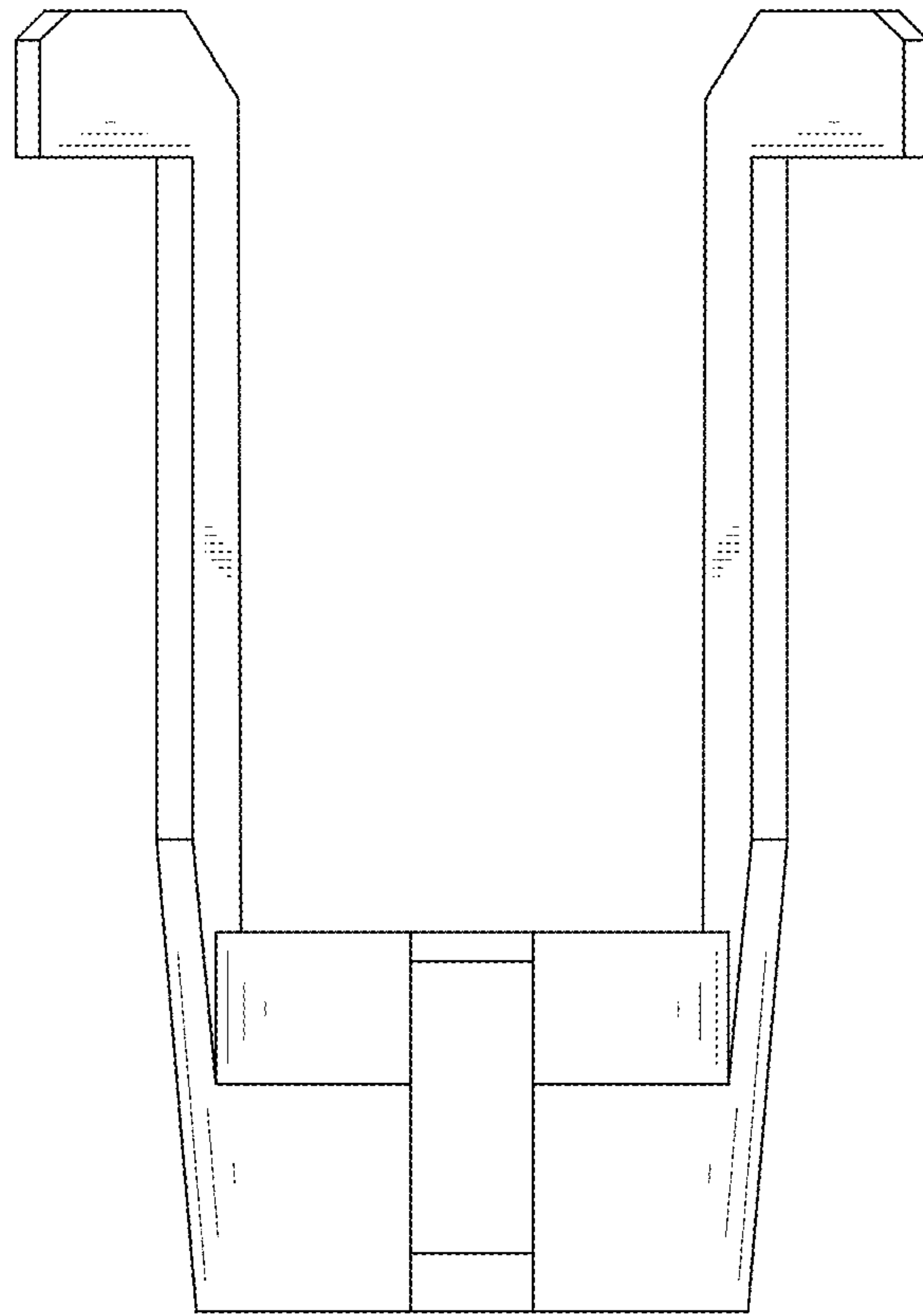


FIG. 4

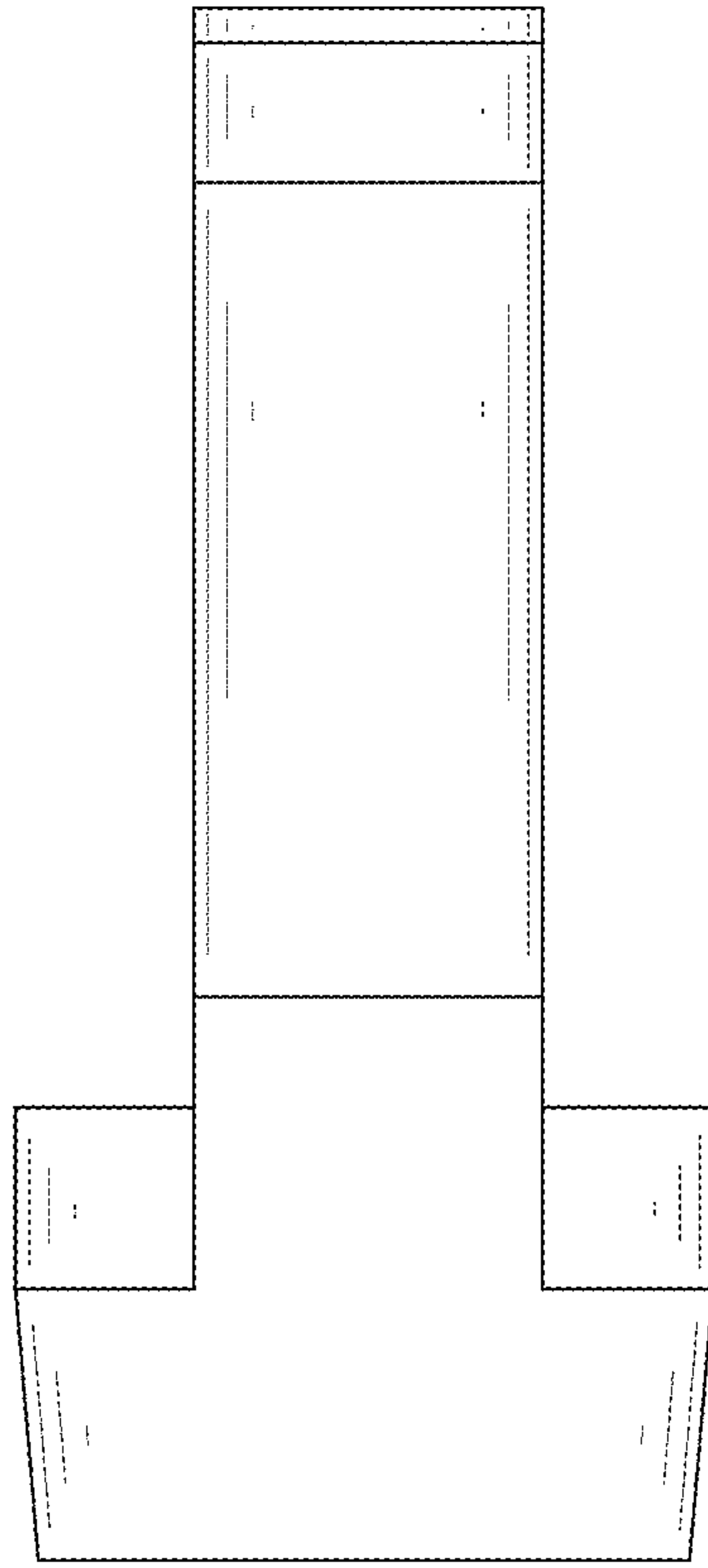


FIG. 5

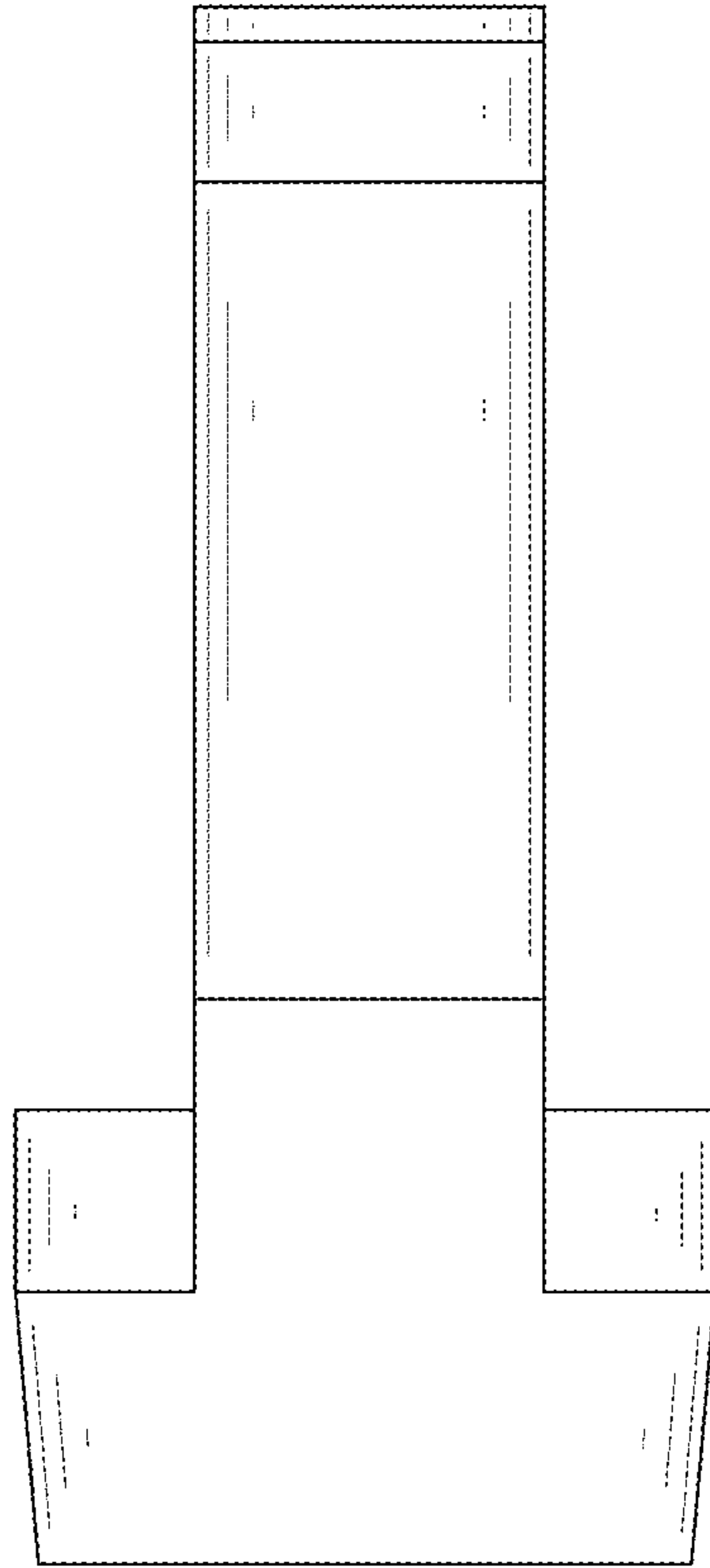


FIG. 6

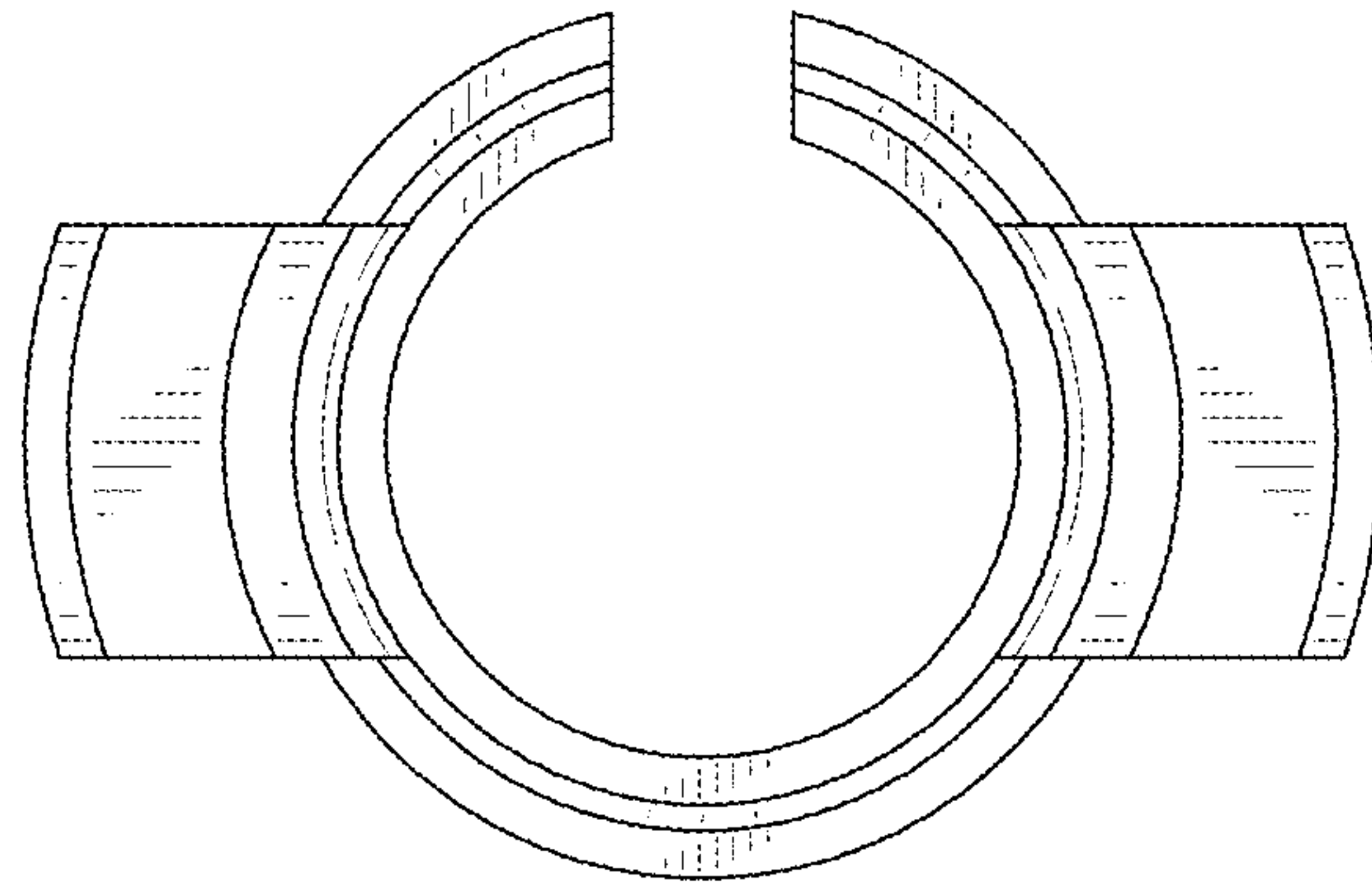


FIG. 7

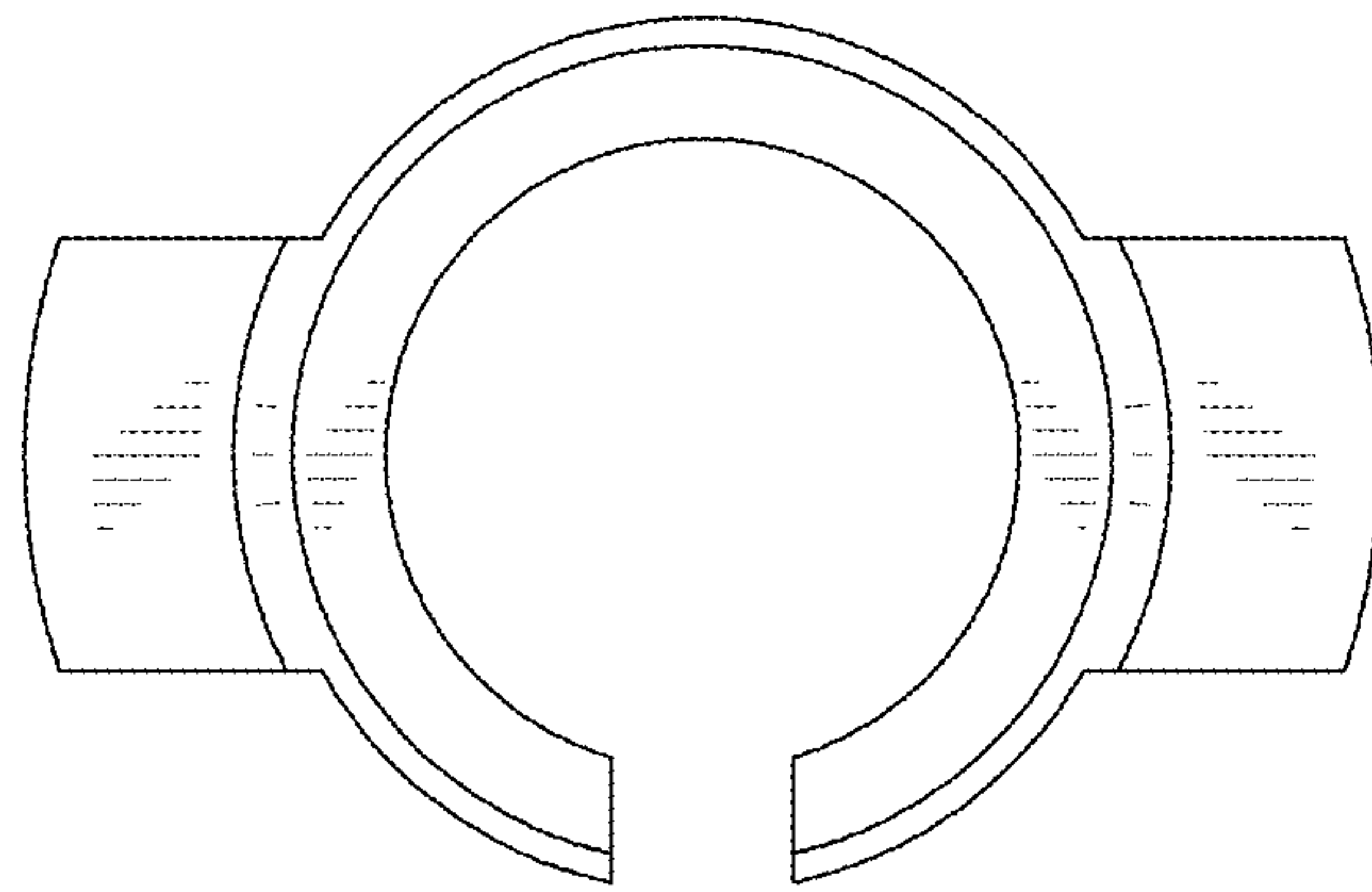


FIG. 8

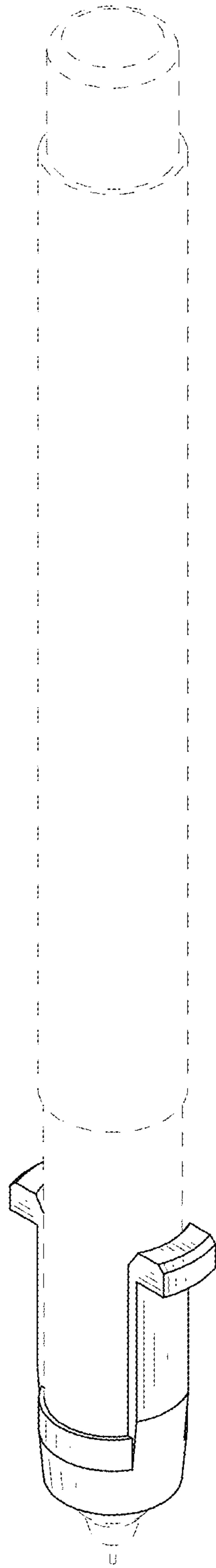


FIG. 9