



US00D953421S

(12) **United States Design Patent** (10) **Patent No.:** **US D953,421 S**
Chui (45) **Date of Patent:** **** May 31, 2022**

(54) **BINDER**
(71) Applicant: **Chiu Wai Chui**, Hong Kong (CN)
(72) Inventor: **Chiu Wai Chui**, Hong Kong (CN)
(**) Term: **15 Years**
(21) Appl. No.: **29/696,825**
(22) Filed: **Jul. 1, 2019**
(51) **LOC (13) Cl.** **19-04**
(52) **U.S. Cl.**
USPC **D19/27**
(58) **Field of Classification Search**
USPC D19/26, 27, 32, 33, 34, 113, 86, 124,
D19/100, 91, 2, 3; D5/41, 63, 99
CPC G09F 5/00; G09F 5/02; G09F 5/04; G09F
2005/041; G09F 5/042; B42F 7/02; B42F
7/025; B42F 7/04; B42F 7/06; B42F
7/065; B42F 17/00; B42F 19/00; B42F
21/00; B42F 21/02; B42F 23/00; B42F
15/0011; B42F 15/0017; B42F 15/0023;
B42F 15/007; B42F 15/0082; B42F
15/0088; B42F 15/0094; B42F 13/02;
B42F 13/04; B42F 13/06; B42F 13/08;
B42F 13/10; B42F 13/14; B42F 13/65;
B42D 1/04; B42D 3/08; B42D 3/10;
B42D 3/12; B42D 3/123; B42C 7/00;
B42C 7/01; B42C 7/02; B42C 7/03;
B42C 7/04; B42C 7/05; B42C 7/06;
B42C 7/07; B42C 7/08; B42C 7/09
See application file for complete search history.

(56) **References Cited**
U.S. PATENT DOCUMENTS
D429,180 S * 8/2000 Koucky D11/90
D453,120 S * 1/2002 Cheng D11/90
D495,737 S 9/2004 Miller
7,387,461 B2 * 6/2008 Brandt B42F 13/0006
281/31

D574,290 S * 8/2008 Shah D11/91
D610,933 S * 3/2010 Sandberg D11/1
D633,559 S * 3/2011 Le D19/27
D649,187 S * 11/2011 Menchine D19/32
D675,676 S * 2/2013 Menchine D19/32
D686,661 S * 7/2013 Radtke D19/27
D701,932 S * 4/2014 Wellington D22/105
D845,388 S 4/2019 Chui
D845,389 S 4/2019 Chui
D883,849 S * 5/2020 Koyama D11/90
D899,294 S * 10/2020 Parikh D11/90
2002/0030989 A1 3/2002 Stephen
2005/0157486 A1 7/2005 Beuselinck

(Continued)

FOREIGN PATENT DOCUMENTS

CN 305308037 * 8/2019
KR 301098745.0000 * 3/2021

OTHER PUBLICATIONS

Zazzle. Link: https://www.zazzle.com/mid_century_modern_eames_atomic_starbursts_journal_3_ring_binder-127707737662898466 Visited Jan. 4, 2022. Mid Century Modern Eames Atomic Starbursts Journal. (Year: 2022).*

(Continued)

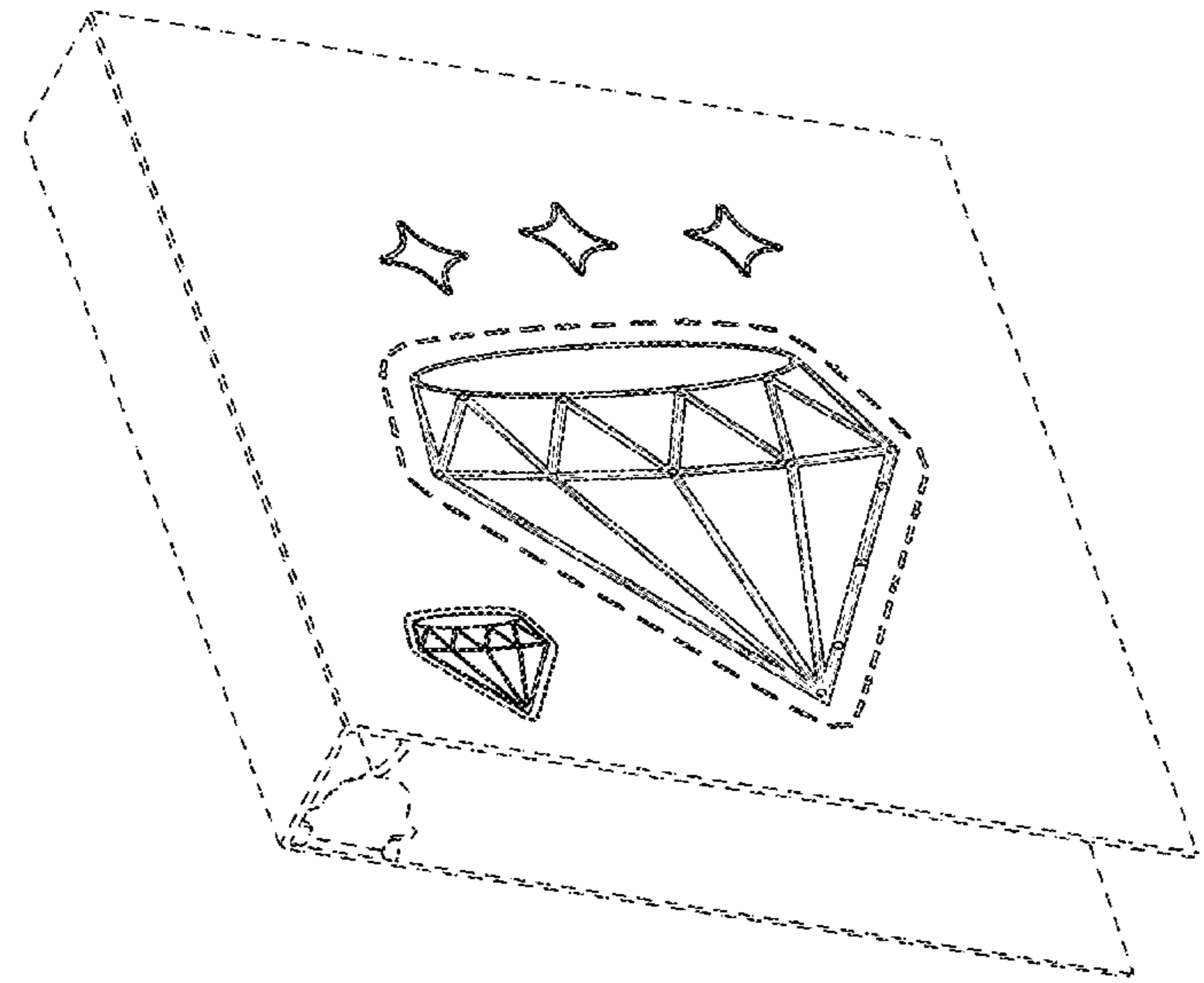
Primary Examiner — Lauren D McVey

(57) **CLAIM**
The ornamental design for a binder, as shown and described.

DESCRIPTION

FIG. 1 is a perspective view of a binder showing my new design; and,
FIG. 2 is a front elevational view thereof.
The broken line showing the outer structure of the binder in FIGS. 1-2 is included for the purpose of illustrating environmental structure and forms no part of the claimed design.

1 Claim, 2 Drawing Sheets



(56)

References Cited

U.S. PATENT DOCUMENTS

2012/0093569 A1 4/2012 Zhu

OTHER PUBLICATIONS

Etsy. Link: <https://www.etsy.com/listing/604341685/unicorn-epoxy-stickers-1-sheet-pastel>. Visited Jan. 4, 2022. Unicorn Epoxy Stickers—1 sheet—Pastel Crystal Pop up Moon Gem Castle Star Flowers Diamond Sticker—Scrap book—Card—Craft—Diary. (Year: 2022).*

Zazzle. Link: https://www.zazzle.com/opal_moon_and_gold_stars_3_ring_binder-127115527742106865. Visited Jan. 4, 2022. Opal Moon and Gold Stars 3 Ring Binder. (Year: 2022).*

Light up Menu Cover, Retrieved from Internet, Retrieved on Mar. 26, 2019 <URL: https://www.alibaba.com/product-detail/Light-up-menu-cover-led-light_60332651699.html?spm=a2700.details.maylikeexp.5.3b50614eNXEXHr>.

* cited by examiner

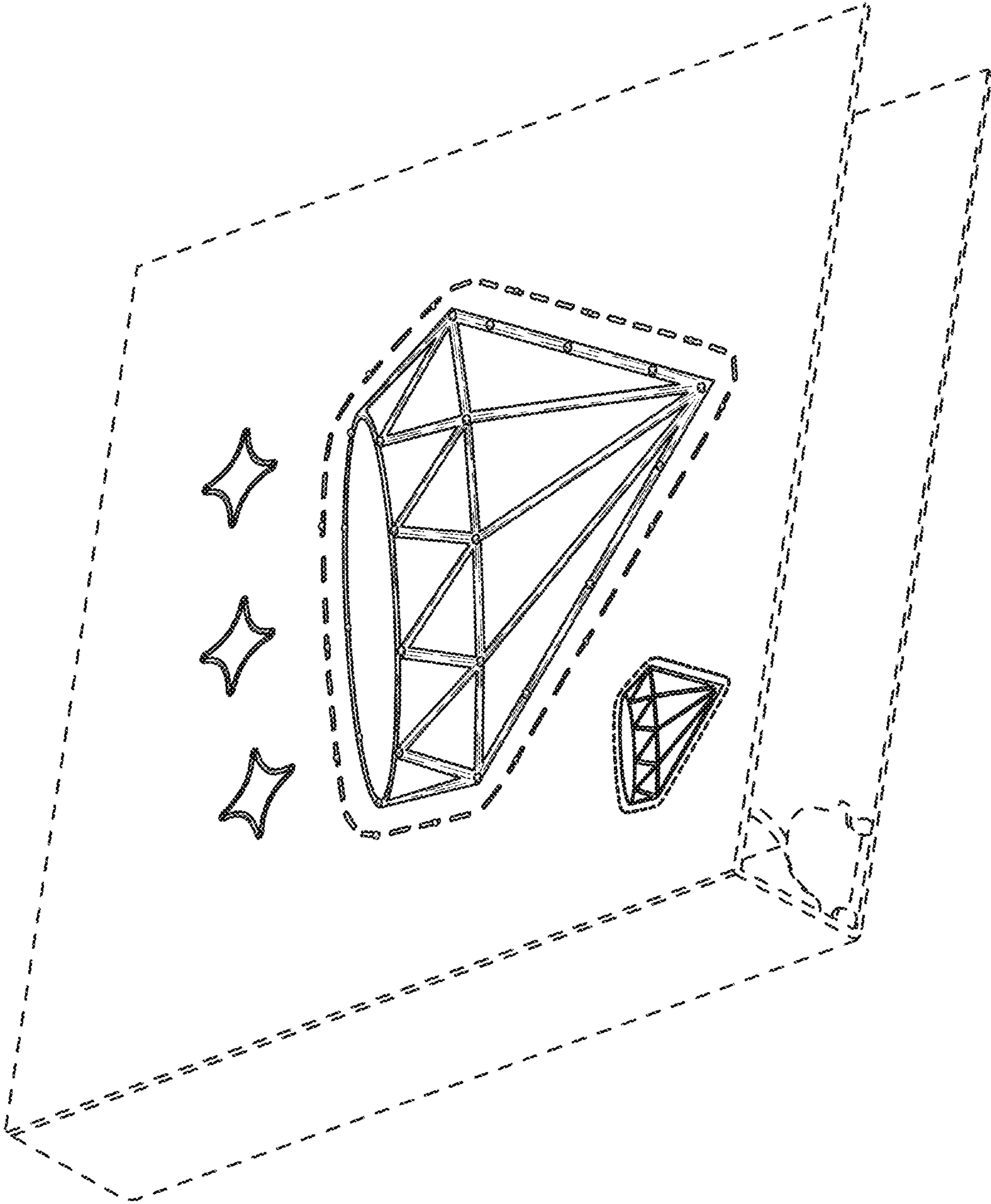


FIG. 1

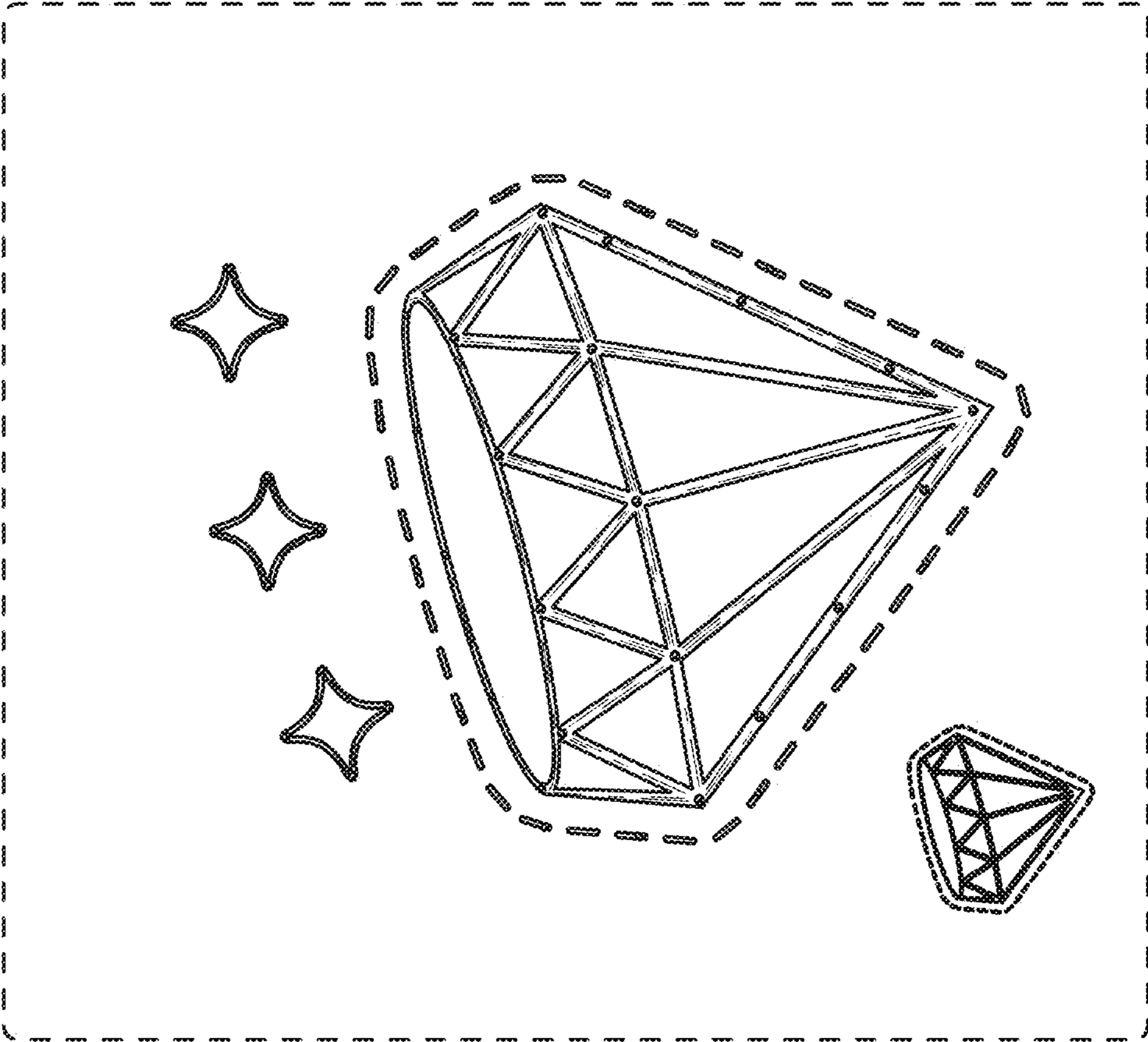


FIG. 2