



US00D953417S

(12) **United States Design Patent** (10) **Patent No.:** **US D953,417 S**
Motoyama et al. (45) **Date of Patent:** **** May 31, 2022**

(54) **PRINTER**
(71) Applicant: **BROTHER INDUSTRIES, LTD.**,
Nagoya (JP)
(72) Inventors: **Takahiro Motoyama**, Nagoya (JP);
Takaaki Oguchi, Nagoya (JP); **Toshiya**
Inada, Nagoya (JP)

D737,895 S * 9/2015 Nanno D18/50
D770,565 S * 11/2016 Tanaka D18/50
D806,790 S * 1/2018 Sato D18/50
D815,683 S * 4/2018 Tanaka D18/50
D816,156 S * 4/2018 Tanaka D18/56
D822,759 S * 7/2018 Yamamoto D18/50
D829,276 S * 9/2018 Higuchi D18/50
D850,528 S * 6/2019 Gosselin D18/34.3
D856,412 S * 8/2019 Higuchi D18/50

(Continued)

(73) Assignee: **BROTHER INDUSTRIES, LTD.**,
Nagoya (JP)

FOREIGN PATENT DOCUMENTS

(**) Term: **15 Years**

JP D1576182 * 5/2018

(21) Appl. No.: **29/720,196**

OTHER PUBLICATIONS

(22) Filed: **Jan. 10, 2020**

Brother Inkjet Printer, MFC-J895DW, p. 13-2018, Amazon.com_29720196—https://www.amazon.com/dp/B07CCDVN8W?ref=emc_p_m_5_i (Year: 2018).*

(30) **Foreign Application Priority Data**

(Continued)

Jul. 10, 2019 (JP) 2019-015487

(51) **LOC (13) Cl.** **14-02**

Primary Examiner — Jennifer L Rempfer
Assistant Examiner — Danielle Nichole Bowly

(52) **U.S. Cl.**
USPC **D18/53**

(74) *Attorney, Agent, or Firm* — Oliff PLC

(58) **Field of Classification Search**
USPC ... D18/4.1, 4.4, 4.6, 34.1, 6, 7, 14, 19, 34.3,
D18/34.7, 34.8, 34.9, 36, 37, 38, 39, 46,
D18/47, 48, 49, 50, 53, 54, 55, 56, 59;
D14/300, 301, 302, 303, 307, 308, 314,
D14/321, 365, 445, 446; D6/514, 672
CPC H04N 1/00278; B26D 1/065; B26D 1/45;
B41J 15/044; B41J 2/1752; B41J 29/02;
B41J 29/08; B41J 17/00; B41J 15/42;
B41J 15/12; B41J 11/58; B41J 3/4075;
B29C 47/12

(57) **CLAIM**

The ornamental design for a printer, as shown and described.

See application file for complete search history.

DESCRIPTION

FIG. 1 is a perspective view of a printer;
FIG. 2 is a front elevational view thereof;
FIG. 3 is a top plan view thereof;
FIG. 4 is a left-side elevational view thereof;
FIG. 5 is a right-side elevational view thereof;
FIG. 6 is a rear elevational view thereof; and,
FIG. 7 is a bottom plan view thereof.

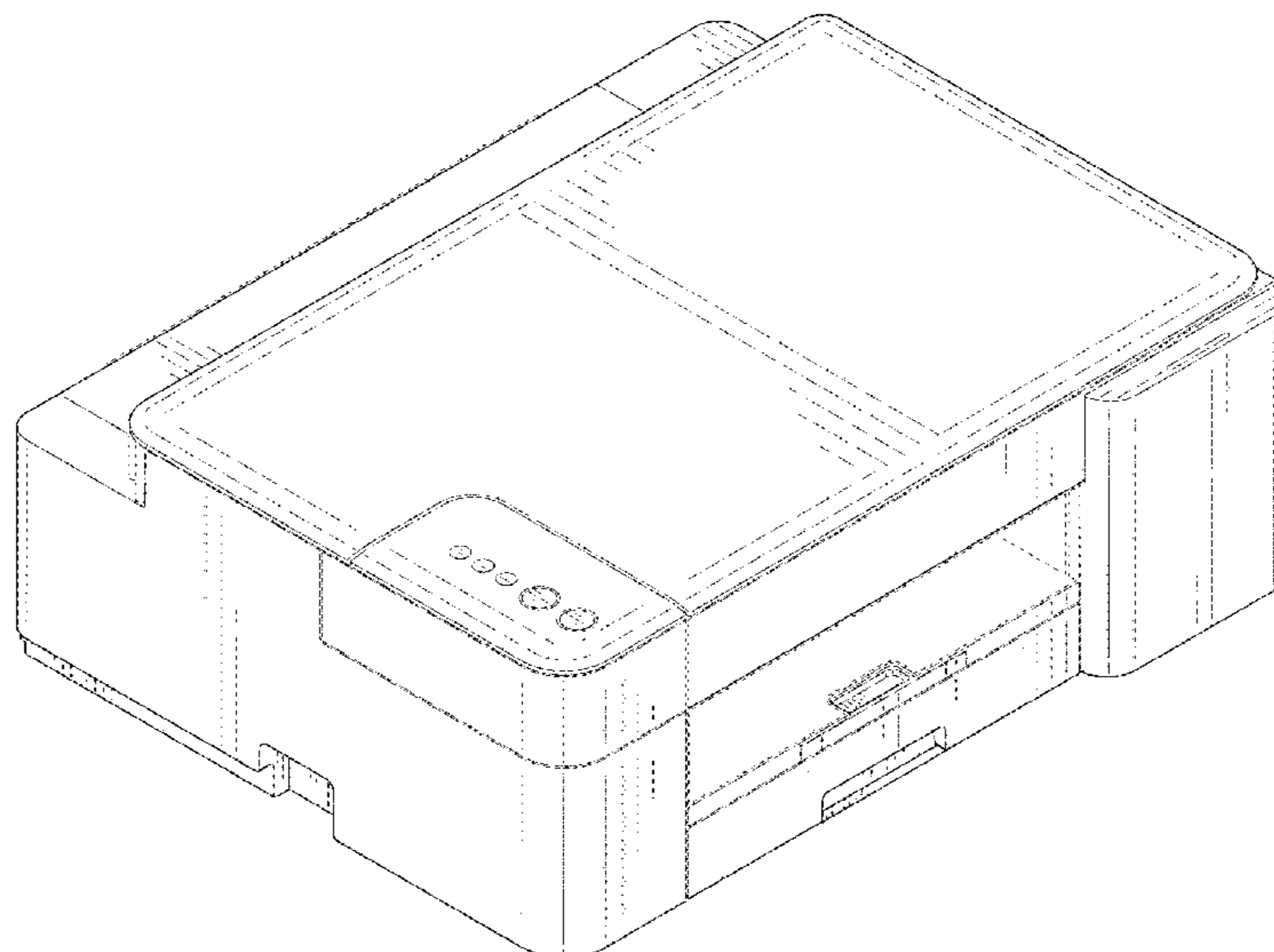
(56) **References Cited**

The evenly spaced broken lines depict unclaimed parts of the printer and form no part of the claimed design. The dot-dash chain lines depict a boundary of the claimed subject matter and form no part of the claimed design.

U.S. PATENT DOCUMENTS

D643,462 S * 8/2011 Yamashita D18/50
D681,720 S * 5/2013 Inada D18/50

1 Claim, 6 Drawing Sheets



(56)

References Cited

U.S. PATENT DOCUMENTS

D912,135 S * 3/2021 Odachi D18/56
D914,084 S * 3/2021 Takeuchi D18/55
D933,743 S * 10/2021 Odachi D18/50
D937,927 S * 12/2021 Odachi D18/56

OTHER PUBLICATIONS

Brother MFC-J1205W p. 13, 2021, Amazon.com_29720196—<https://amzn.to/3AnDFTL> (Year: 2021).*

U.S. Patent Design U.S. Appl. No. 29/704,343, filed Sep. 4, 2019 in the name of Toshiya Inada et al.

U.S. Patent Design U.S. Appl. No. 29/704,341, filed Sep. 4, 2019 in the name of Toshiya Inada et al.

U.S. Patent Design U.S. Appl. No. 29/704,385, filed Sep. 4, 2019 in the name of Toshiya Inada et al.

U.S. Patent Design U.S. Appl. No. 29/704,372, filed Sep. 4, 2019 in the name of Toshiya Inada et al.

* cited by examiner

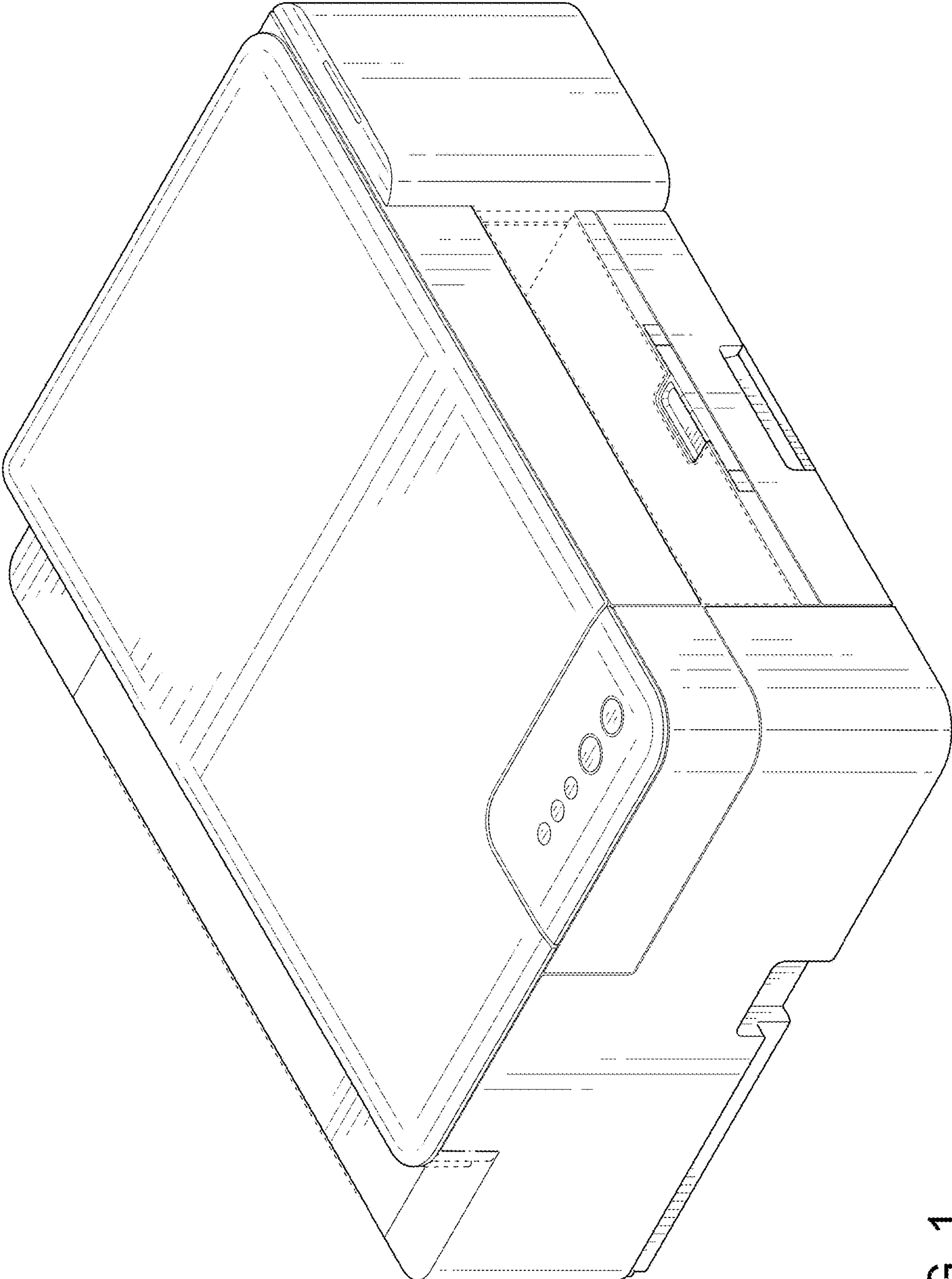


FIG. 1

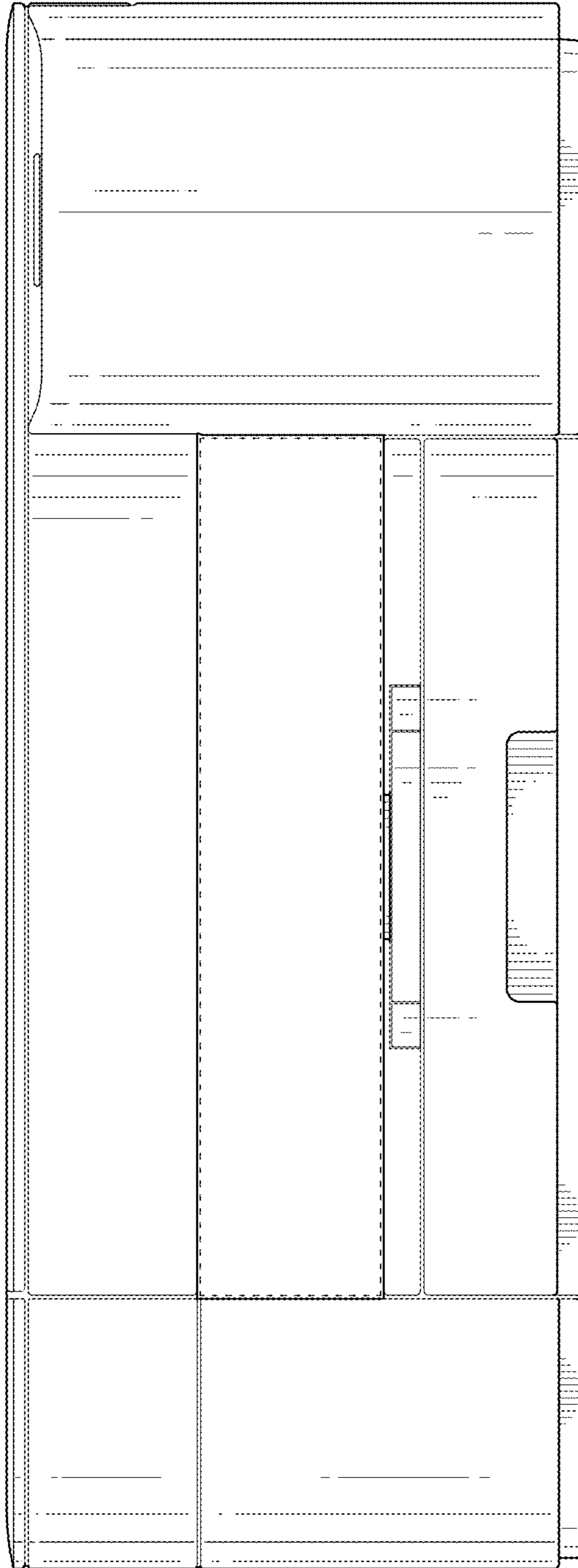


FIG. 2

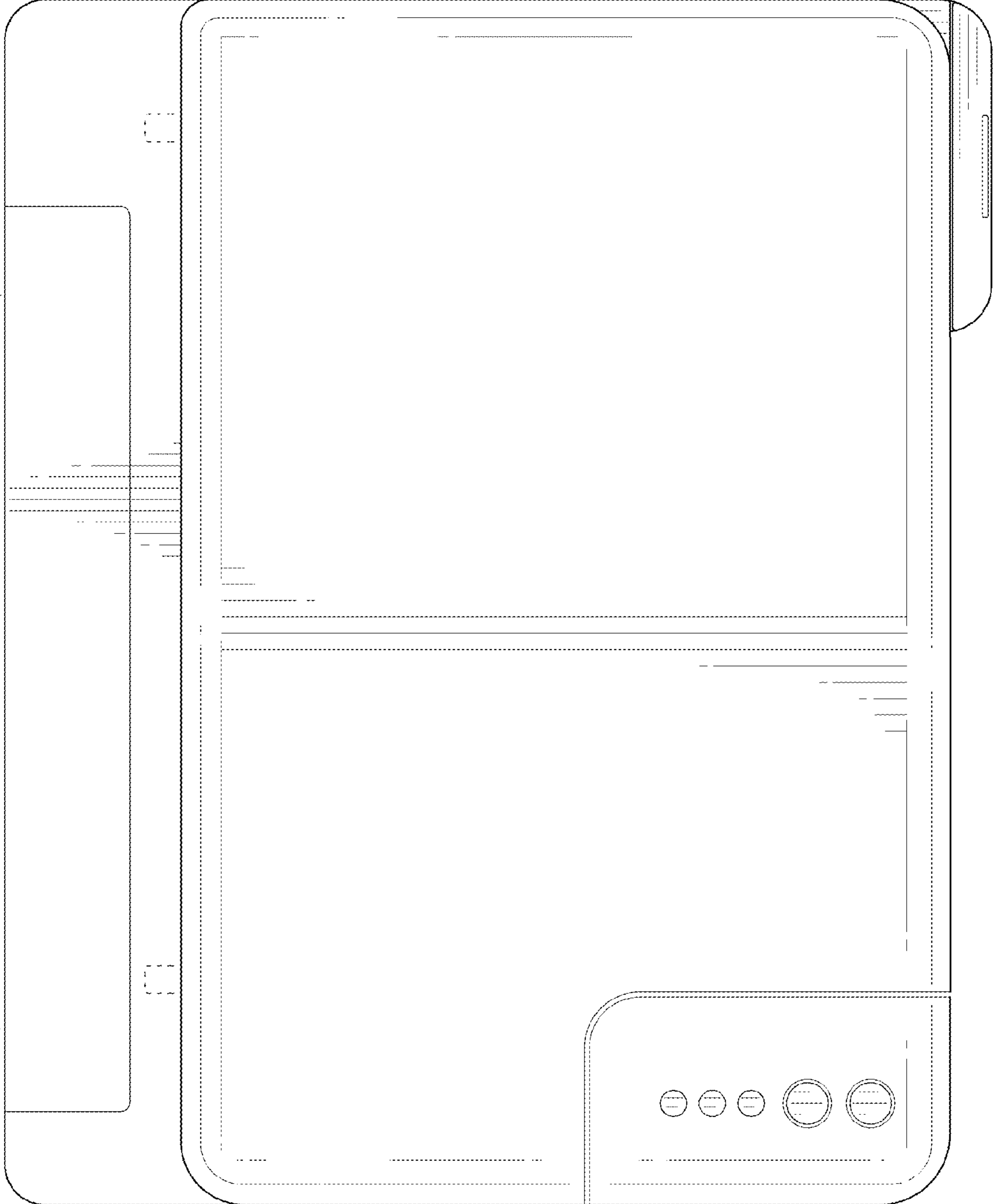


FIG. 3

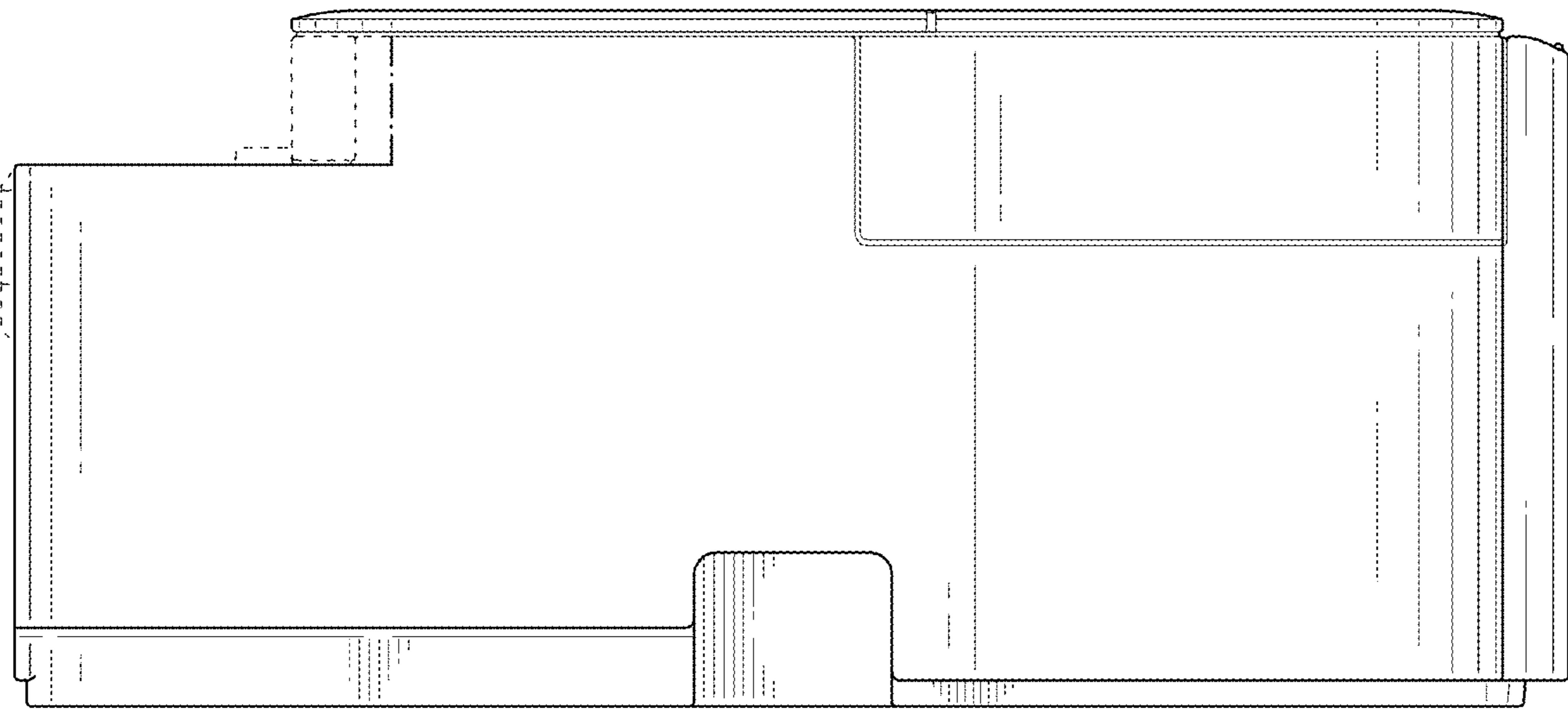


FIG. 4

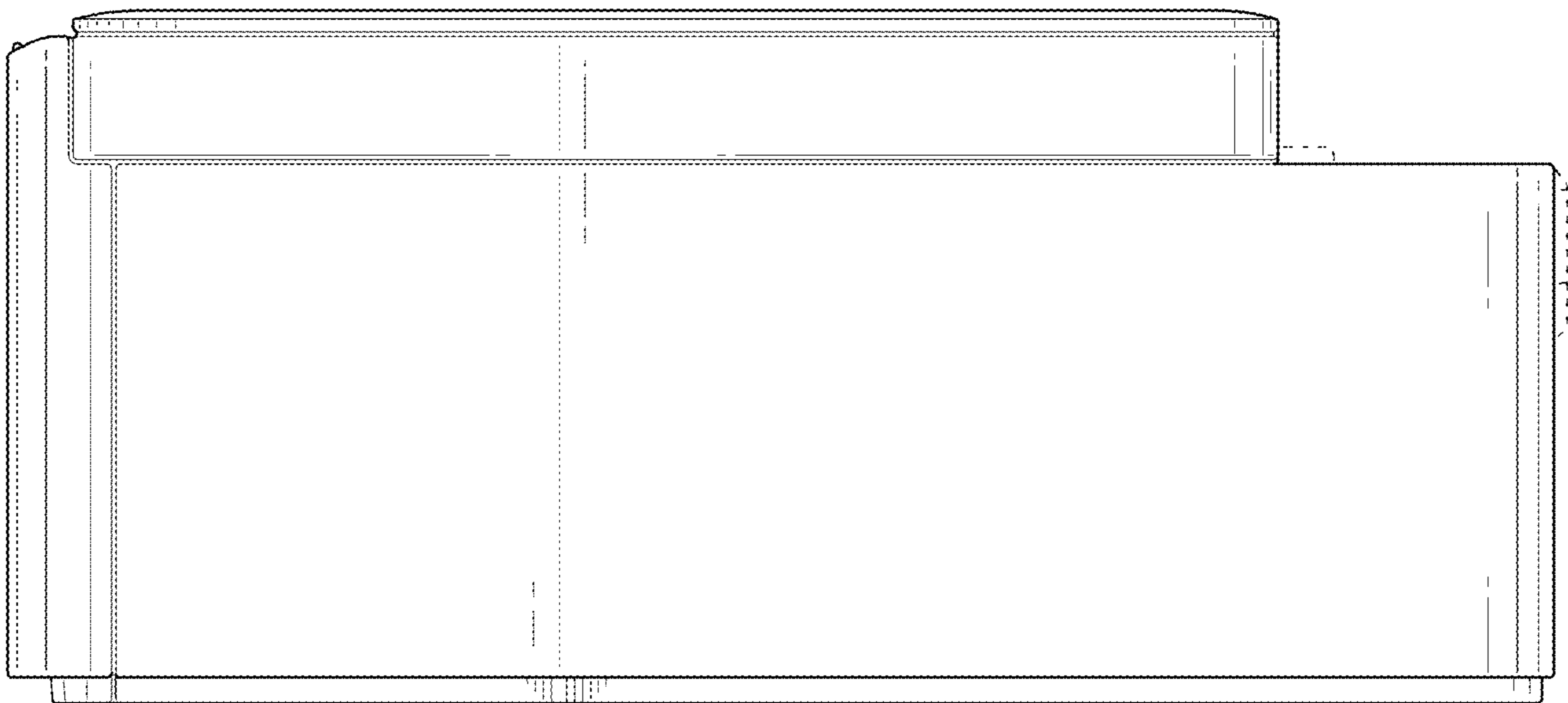


FIG. 5

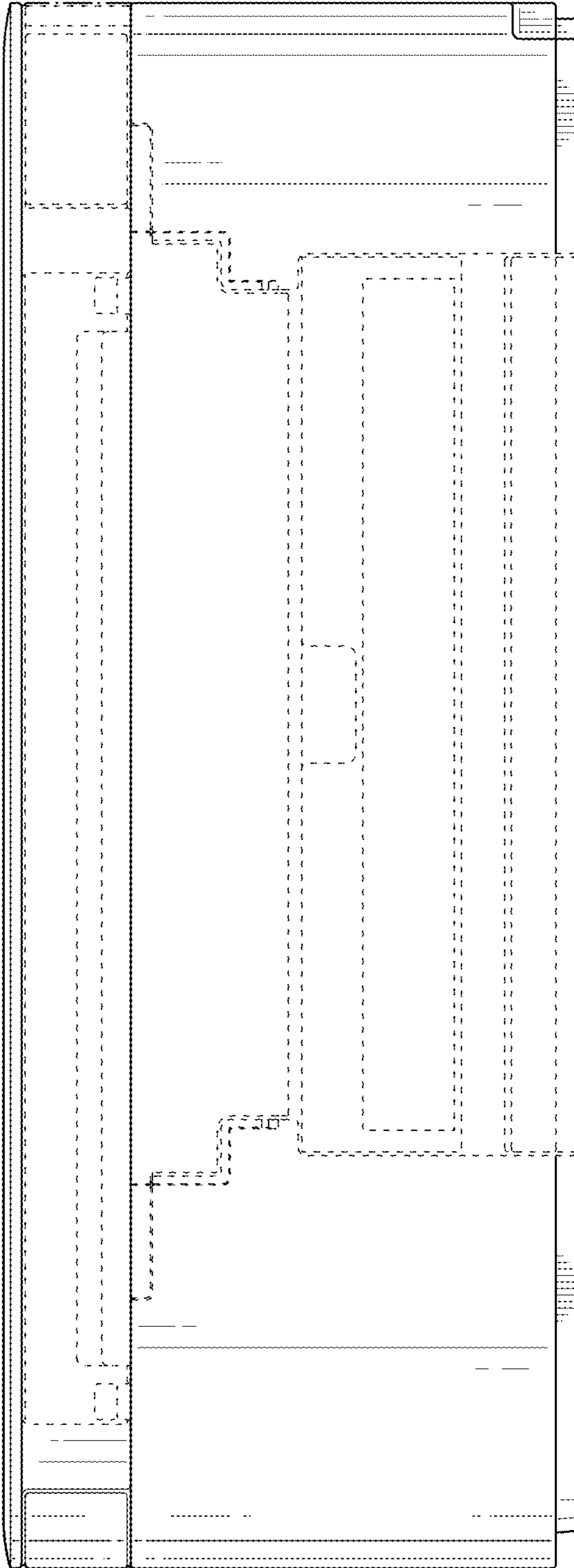


FIG. 6

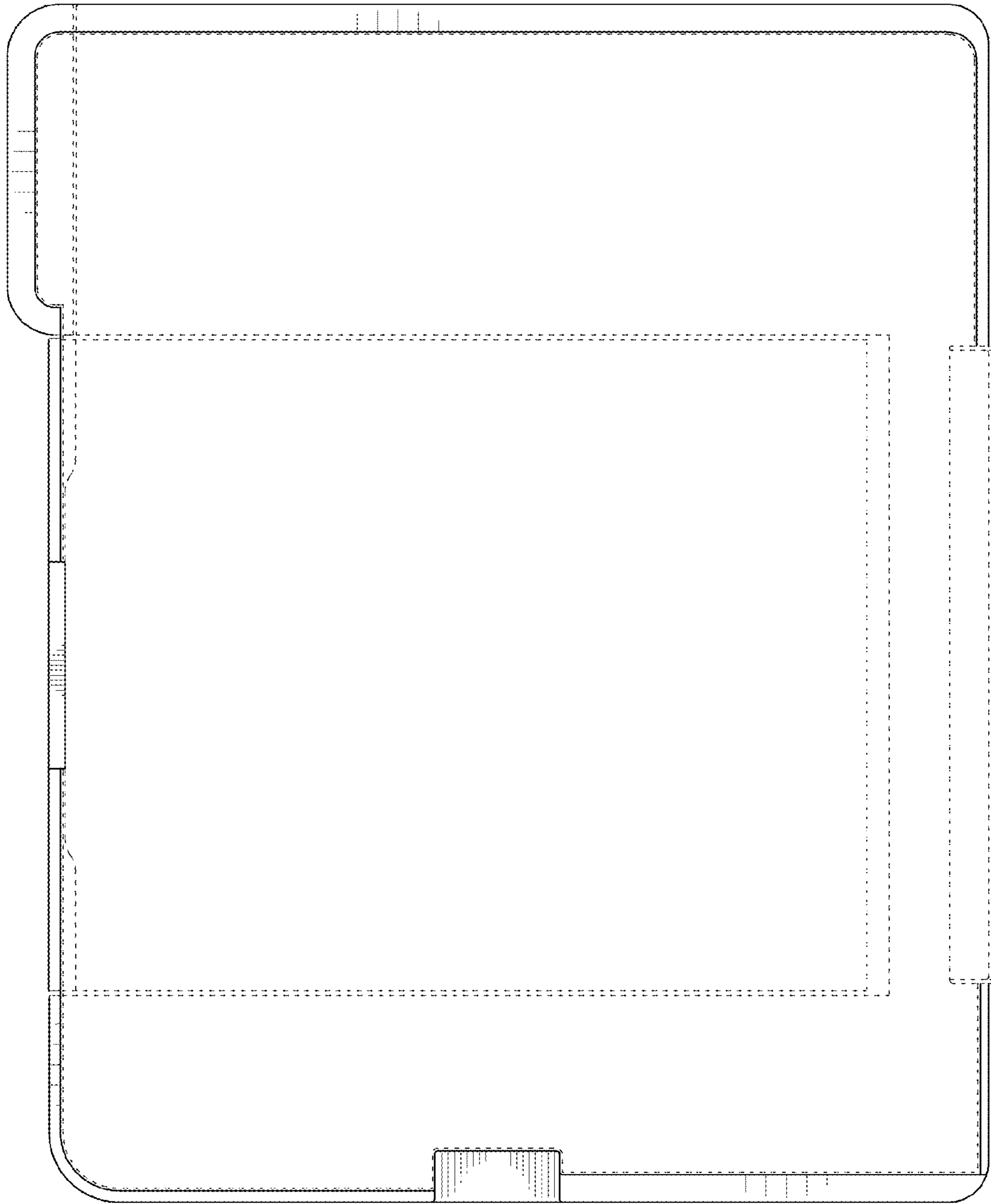


FIG. 7