



US00D953413S

(12) **United States Design Patent**
Jia

(10) **Patent No.:** **US D953,413 S**

(45) **Date of Patent:** **** May 31, 2022**

(54) **PEDAL TUNER**

(71) Applicant: **SWIFF TECHNOLOGY CO., LTD.**,
Guangdong (CN)

(72) Inventor: **He Jia**, Guangdong (CN)

(**) Term: **15 Years**

(21) Appl. No.: **29/714,756**

(22) Filed: **Nov. 26, 2019**

(51) **LOC (13) Cl.** **17-99**

(52) **U.S. Cl.**
USPC **D17/99**

(58) **Field of Classification Search**
USPC D17/9, 20, 99; D13/167
CPC G10D 3/00; G10D 3/053; G10D 3/14; G10D
3/147; G10D 13/16; G10D 13/11; G10H
3/186; G10H 1/348

See application file for complete search history.

(56) **References Cited**

U.S. PATENT DOCUMENTS

- 3,240,098 A * 3/1966 Hepler G10D 3/14
84/306
- D220,697 S * 5/1971 Osborn D12/400
- D235,779 S * 7/1975 Barr D10/75
- 4,088,855 A * 5/1978 Emery H01H 1/242
200/276.1
- D249,583 S * 9/1978 Worthing D17/20
- D280,523 S * 9/1985 Smith D17/20
- D316,249 S * 4/1991 King-Pei D13/167
- D870,199 S * 12/2019 Graham D17/99

- D917,609 S * 4/2021 Graham D17/99
- 2003/0070529 A1 * 4/2003 Hovermann, Jr. G10D 3/14
84/304
- 2019/0143470 A1 * 5/2019 Chen B23Q 17/2414
356/138

FOREIGN PATENT DOCUMENTS

FR 2932579 A3 * 12/2009

OTHER PUBLICATIONS

Swift Audio. <http://www.swiffmusic.com/en/product/digitalpiano/337.html>. "C10 Pedal Tuner". Nov. 3, 2019 (Year: 2019).*

* cited by examiner

Primary Examiner — R. Johnson

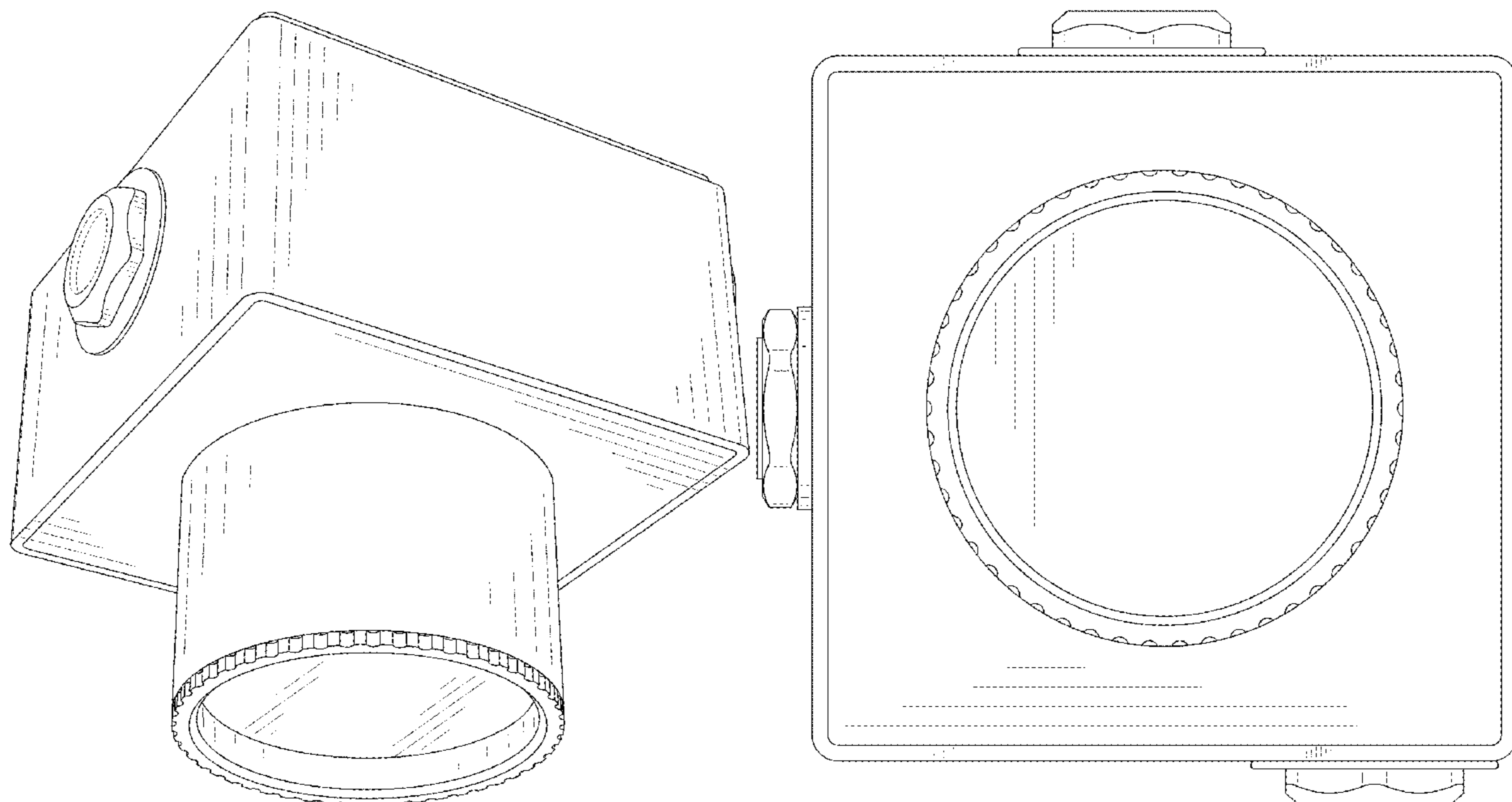
(57) **CLAIM**

The ornamental design for a pedal tuner, as shown and described.

DESCRIPTION

FIG. 1 is a front and bottom perspective view of a pedal tuner, showing my new design;
 FIG. 2 is a front elevational view thereof;
 FIG. 3 is a rear elevational view thereof;
 FIG. 4 is a left side elevational view thereof;
 FIG. 5 is a right side elevational view thereof;
 FIG. 6 is a top plan view thereof; and,
 FIG. 7 is a bottom plan view thereof.
 The broken lines in the figures illustrate portions of the pedal tuner that form no part of the claimed design.

1 Claim, 7 Drawing Sheets



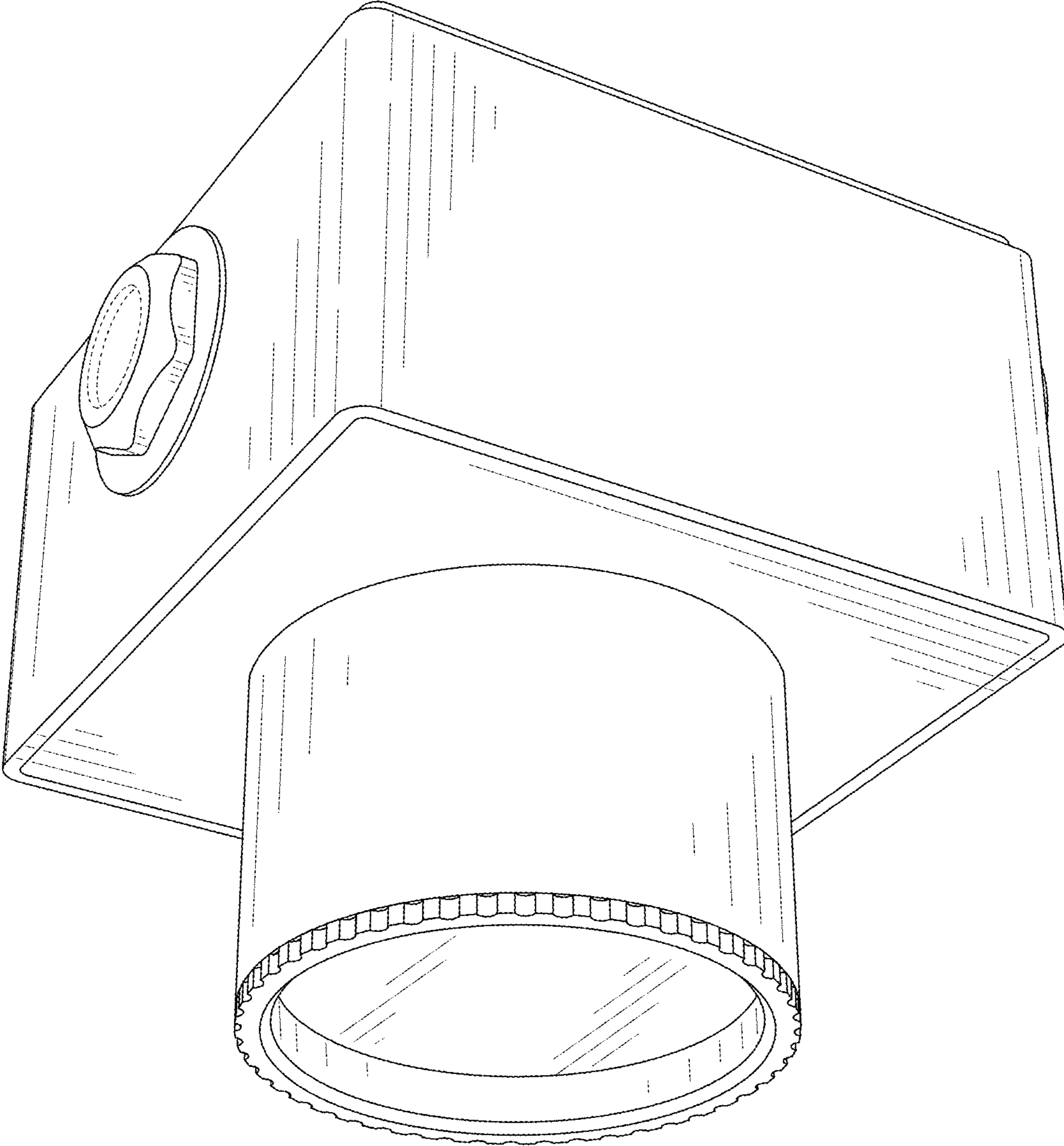


FIG. 1

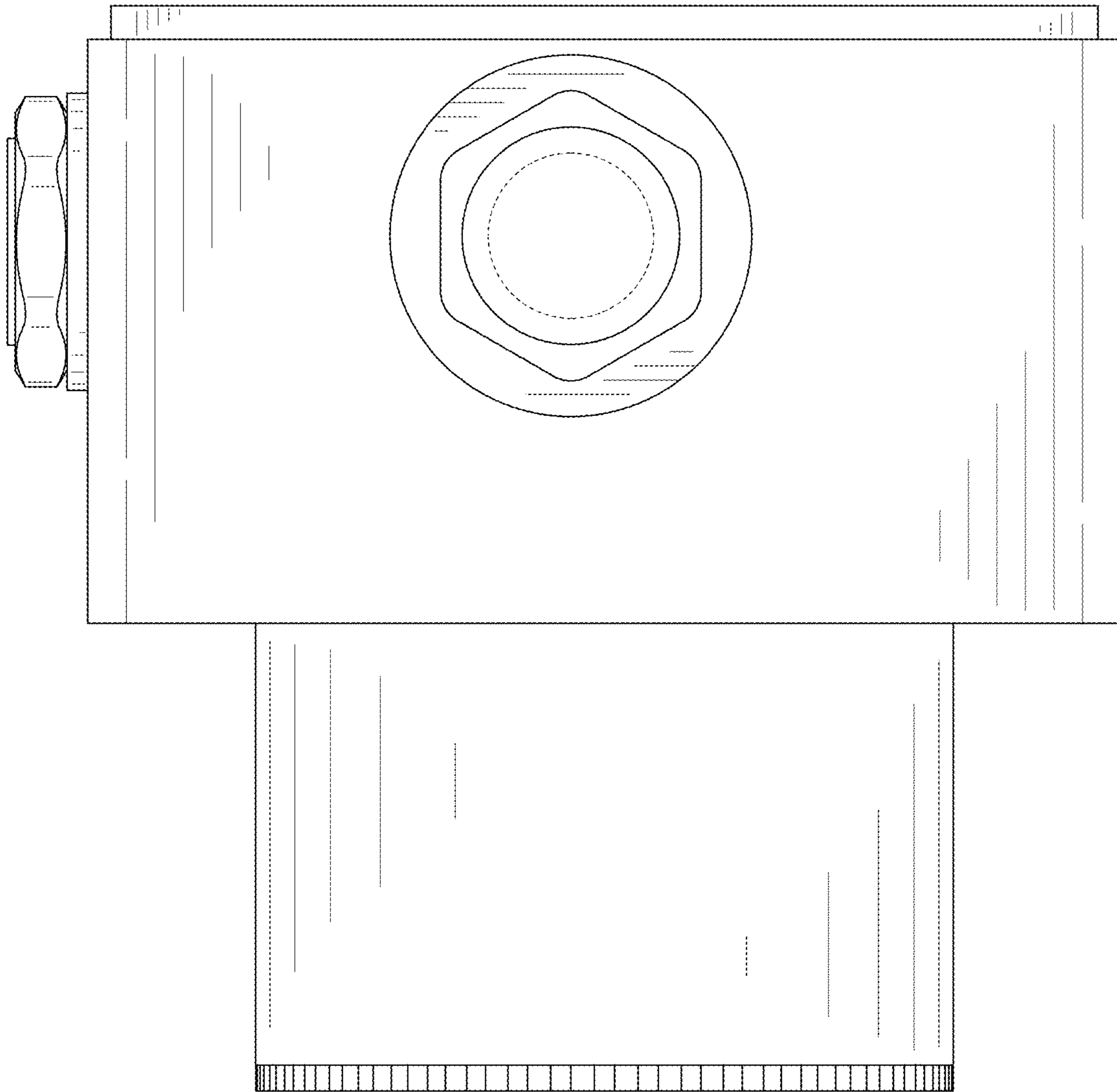


FIG. 2

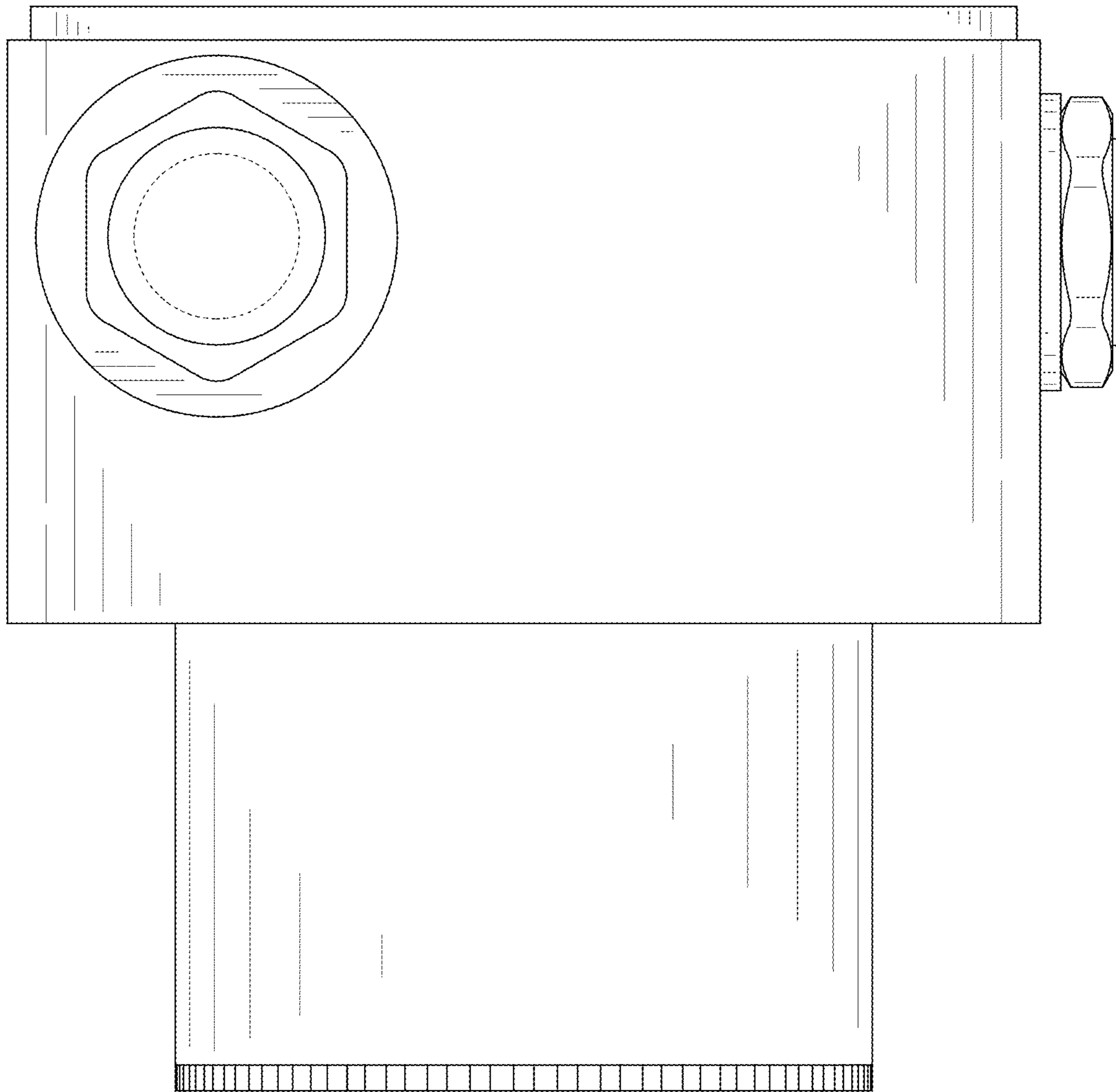


FIG. 3

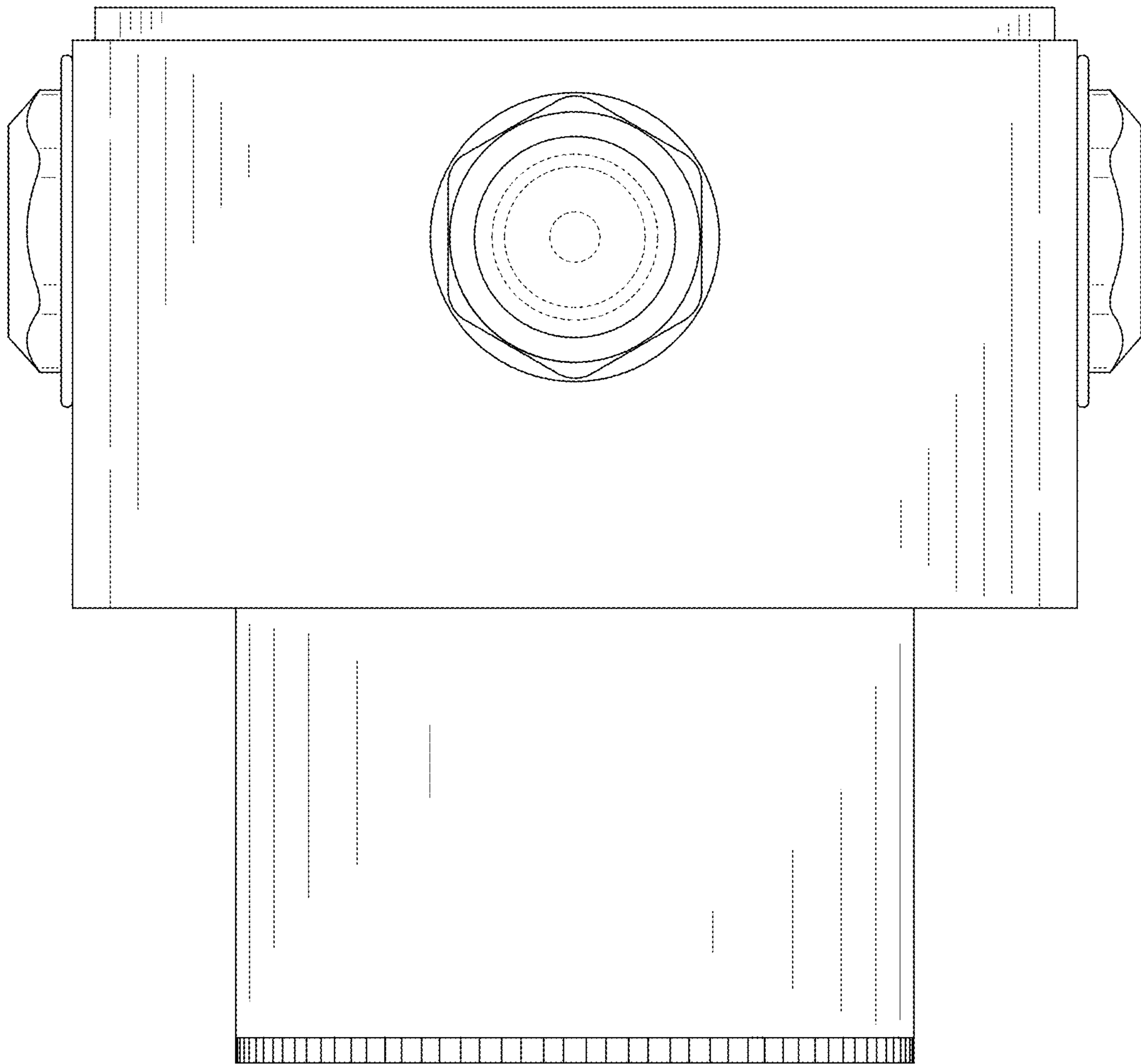


FIG. 4

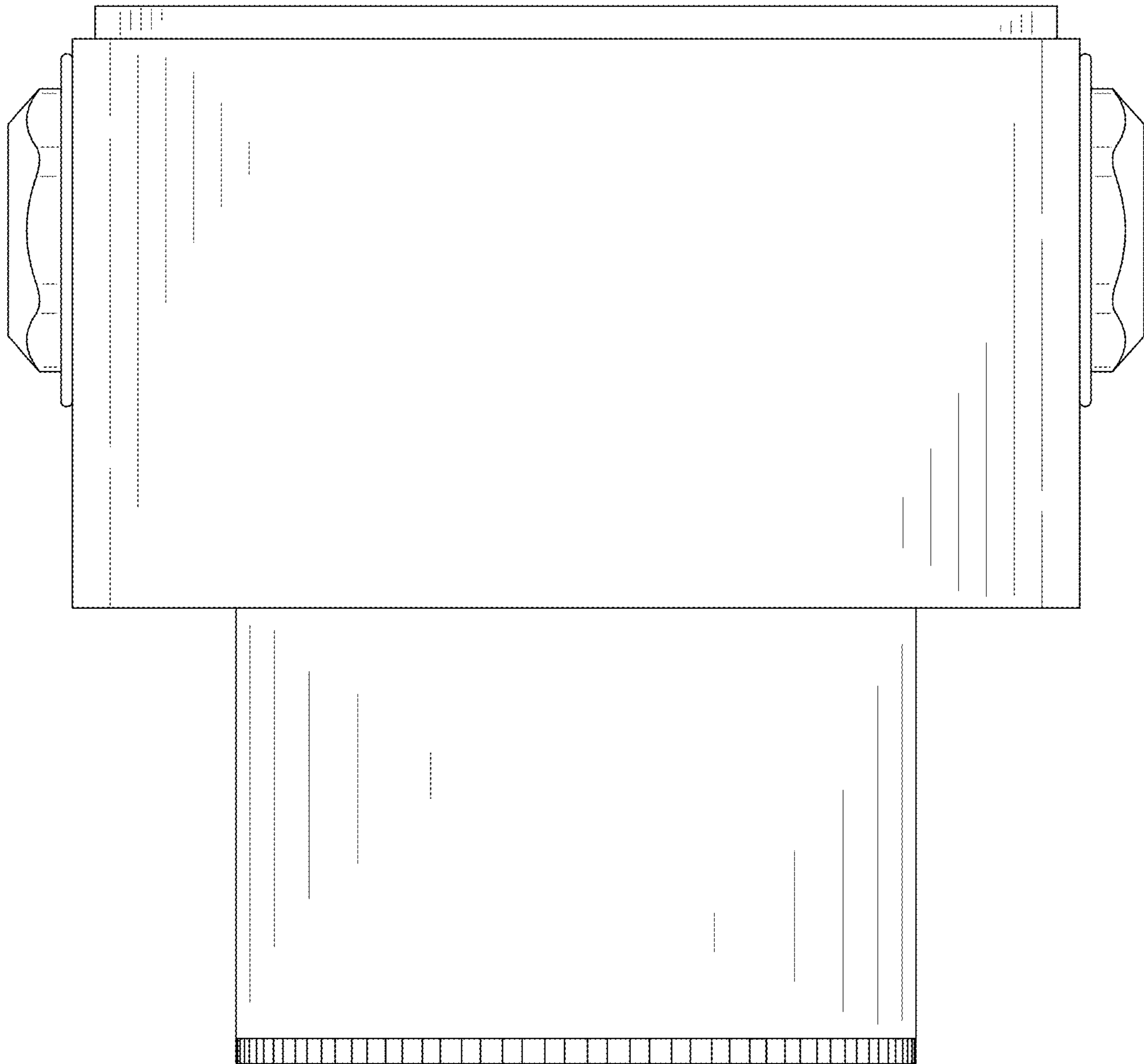


FIG. 5

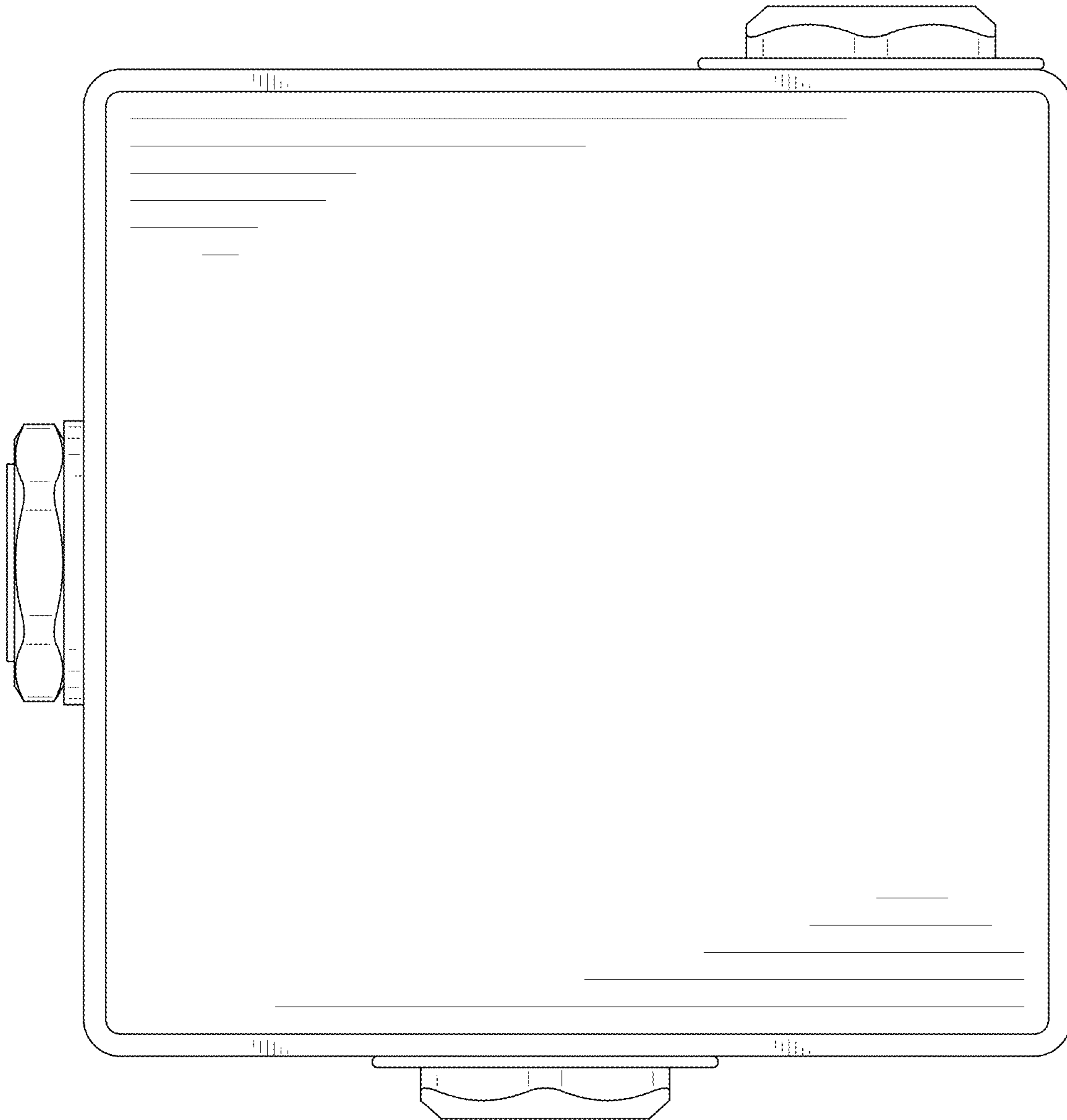


FIG. 6

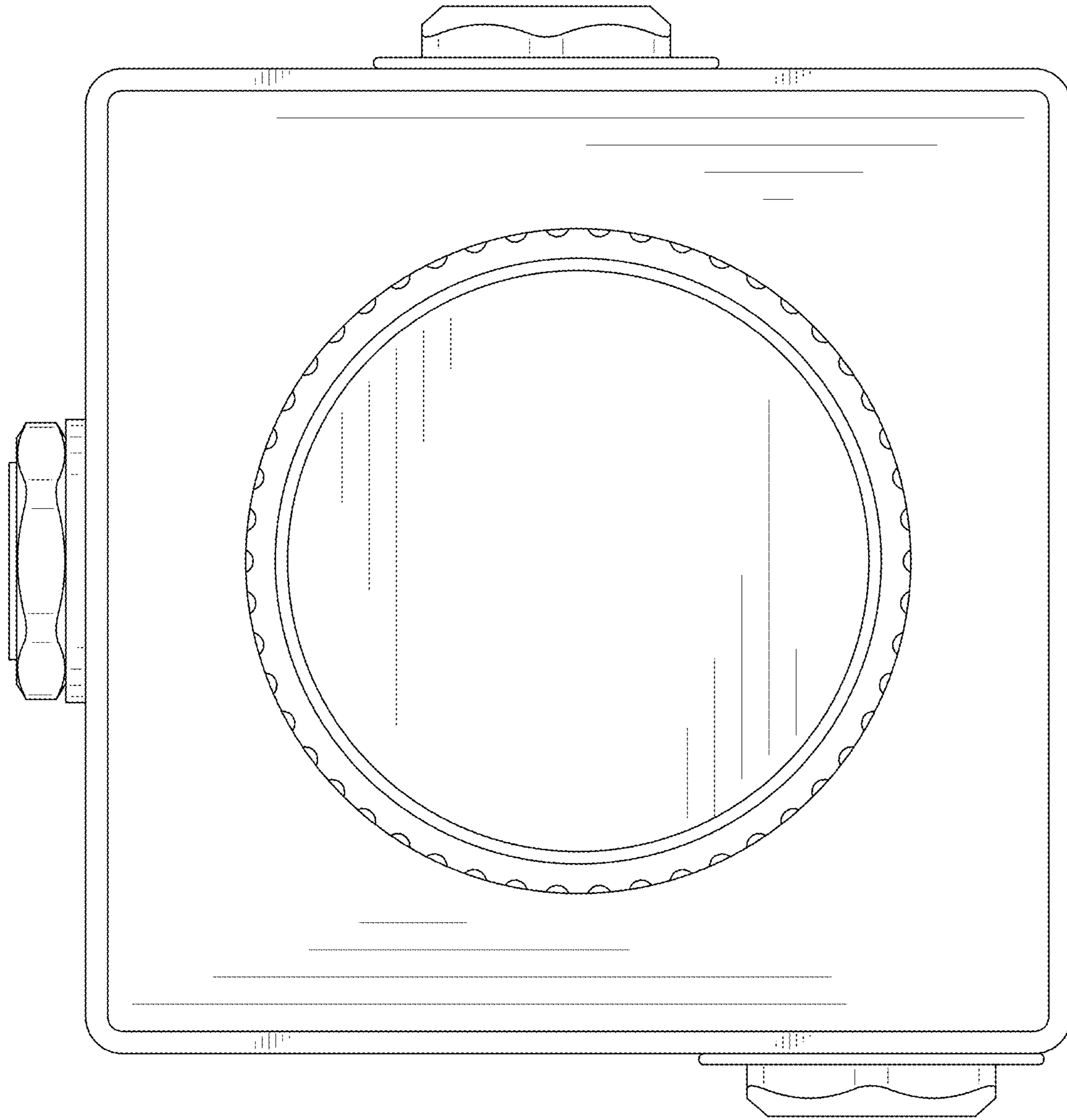


FIG. 7