



US00D953412S

(12) **United States Design Patent**
Yang

(10) **Patent No.:** **US D953,412 S**

(45) **Date of Patent:** **** May 31, 2022**

(54) **STEEL TONGUE DRUM**

(71) Applicant: **Fei Yang**, Guangzhou (CN)

(72) Inventor: **Fei Yang**, Guangzhou (CN)

(**) Term: **15 Years**

(21) Appl. No.: **29/774,286**

(22) Filed: **Mar. 16, 2021**

(30) **Foreign Application Priority Data**

Feb. 5, 2021 (CN) 202130087456.7

(51) **LOC (13) Cl.** **17-04**

(52) **U.S. Cl.**
USPC **D17/22**

(58) **Field of Classification Search**
USPC D17/22, 99; D21/405
CPC G10D 13/00; G10D 13/01; G10D 13/02;
G10D 13/03; G10D 13/10; G10D 13/12;
G10D 99/00

See application file for complete search history.

(56) **References Cited**

U.S. PATENT DOCUMENTS

D620,041 S * 7/2010 Doe G10D 13/08
D17/22
D914,798 S * 3/2021 Yang D17/22

D914,799 S * 3/2021 Yang D17/22
D919,698 S * 5/2021 Yang D17/22
2015/0364121 A1* 12/2015 Güngör G10D 13/08
84/411 R

* cited by examiner

Primary Examiner — R. Johnson

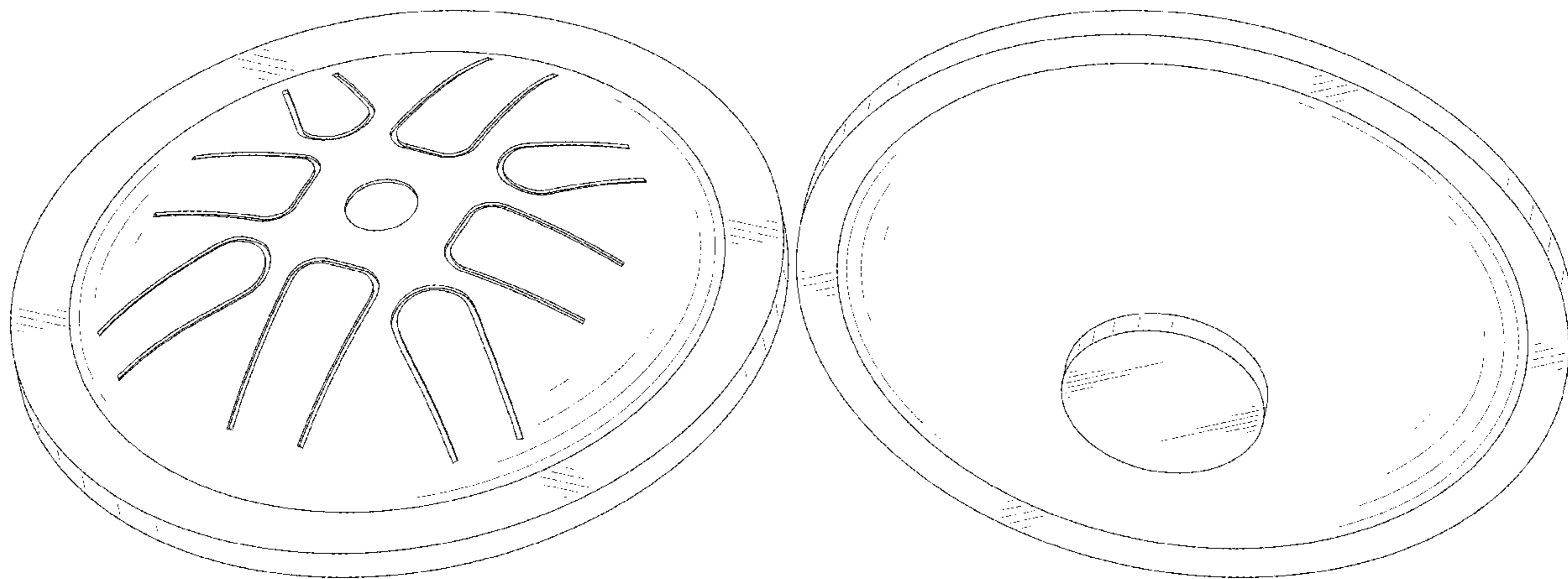
(57) **CLAIM**

The ornamental design for a steel tongue drum, as shown and described.

DESCRIPTION

FIG. 1 is a perspective view of a steel tongue drum showing my new design;
FIG. 2 is another perspective view thereof;
FIG. 3 is a front elevational view thereof;
FIG. 4 is a rear elevational view thereof;
FIG. 5 is a left side elevational view thereof;
FIG. 6 is a right side elevational view thereof;
FIG. 7 is a top plan view thereof; and,
FIG. 8 is a bottom plan view thereof.

1 Claim, 8 Drawing Sheets



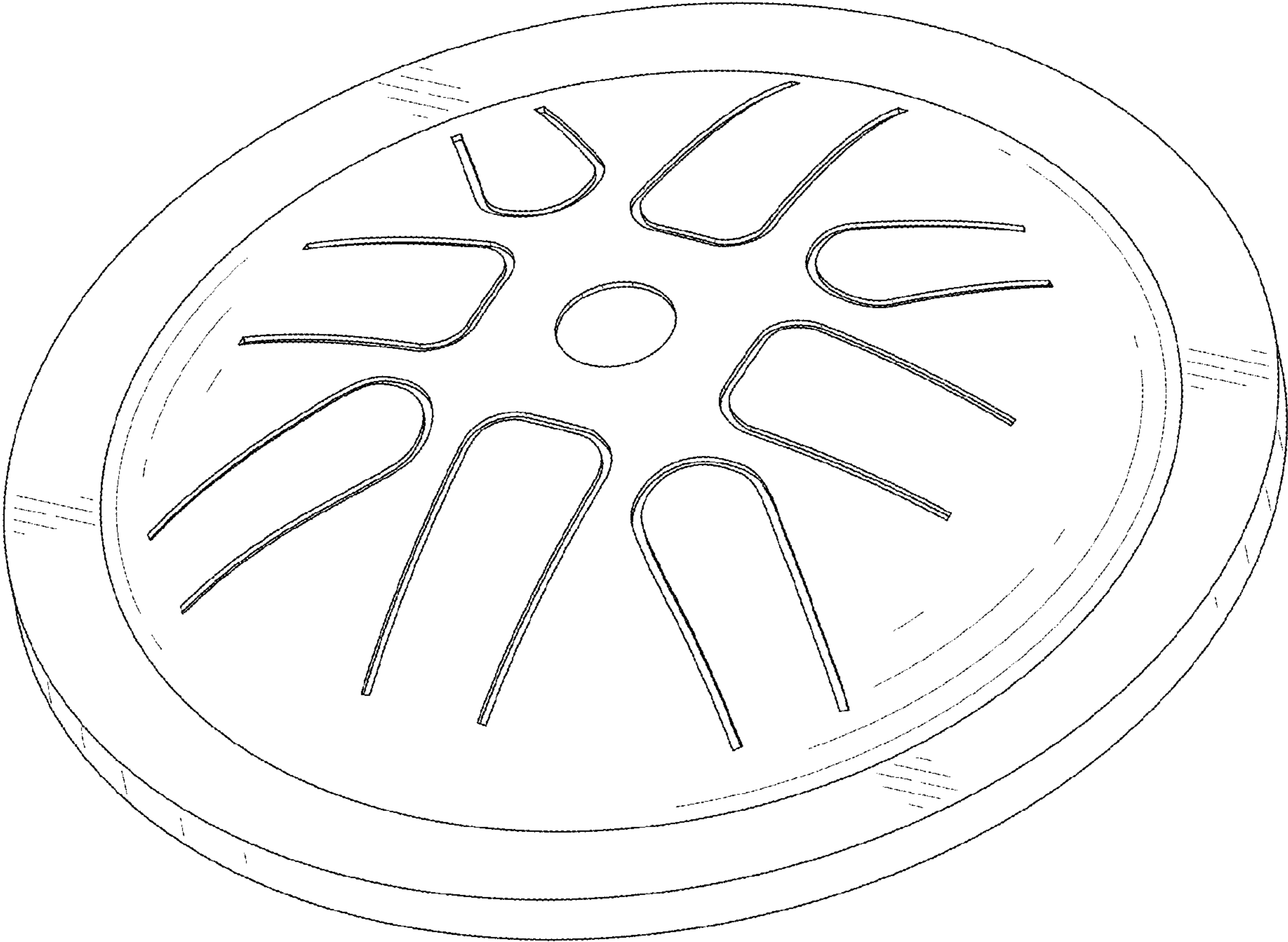


FIG. 1

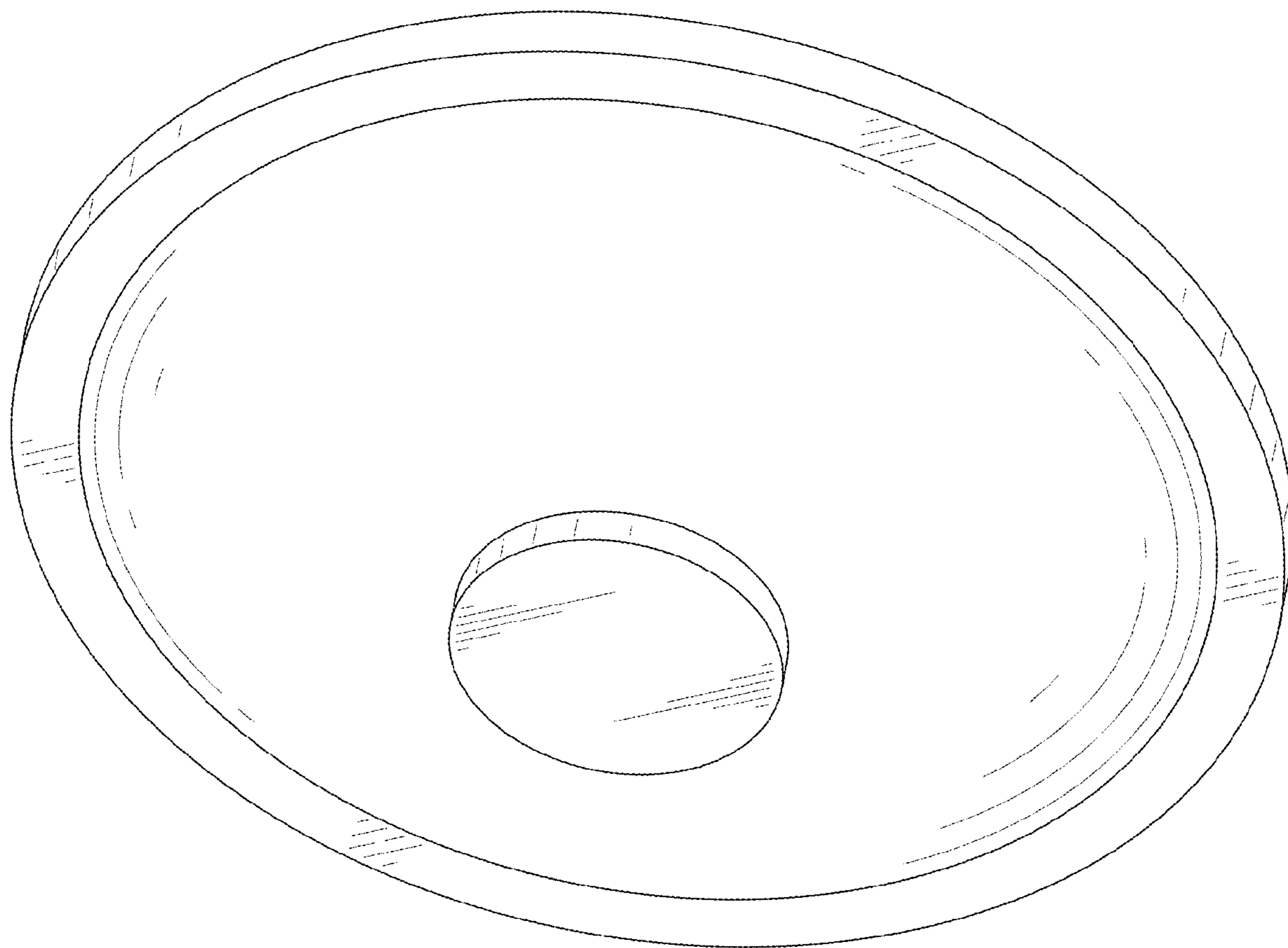


FIG. 2

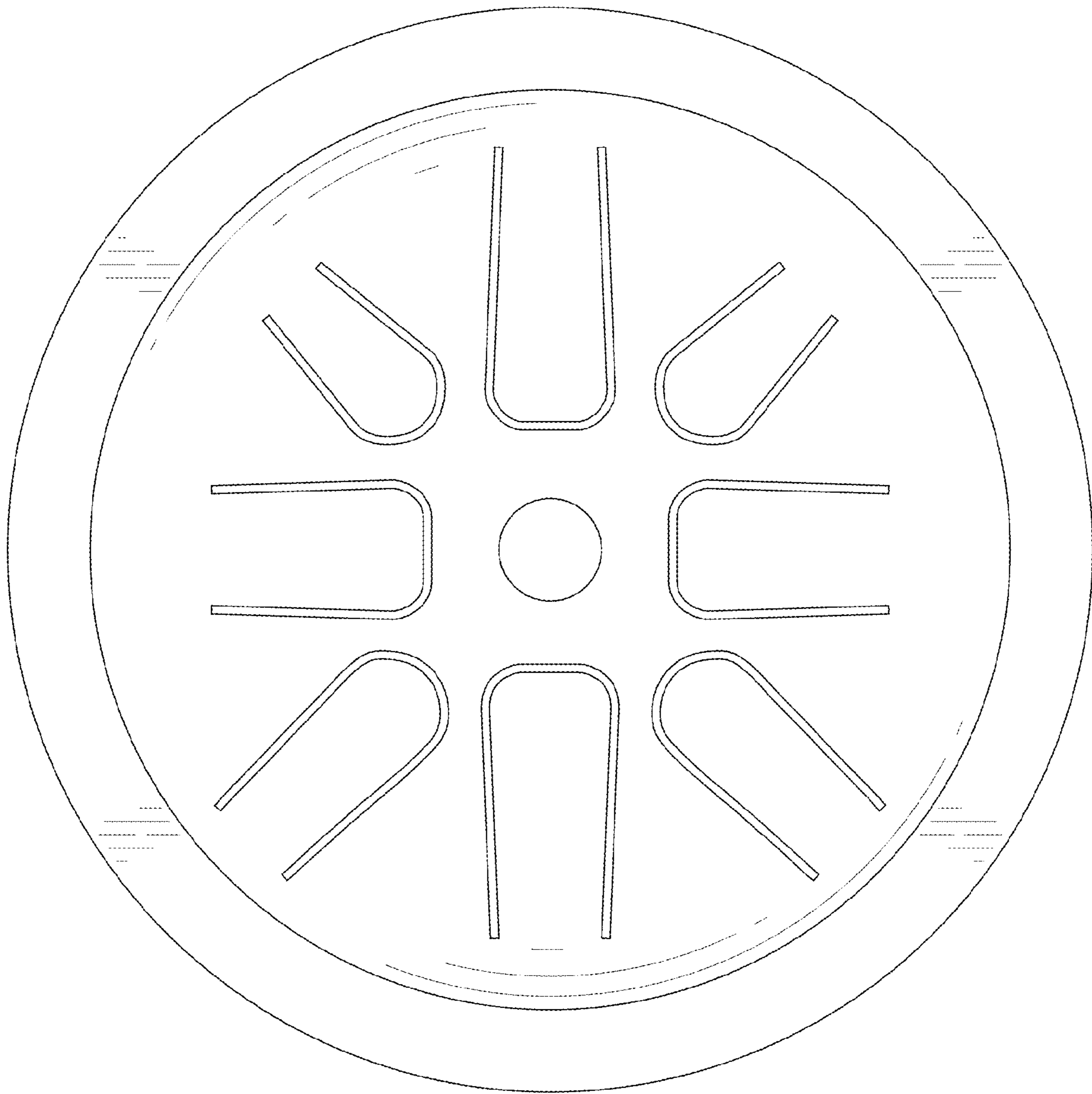


FIG. 3



FIG. 4

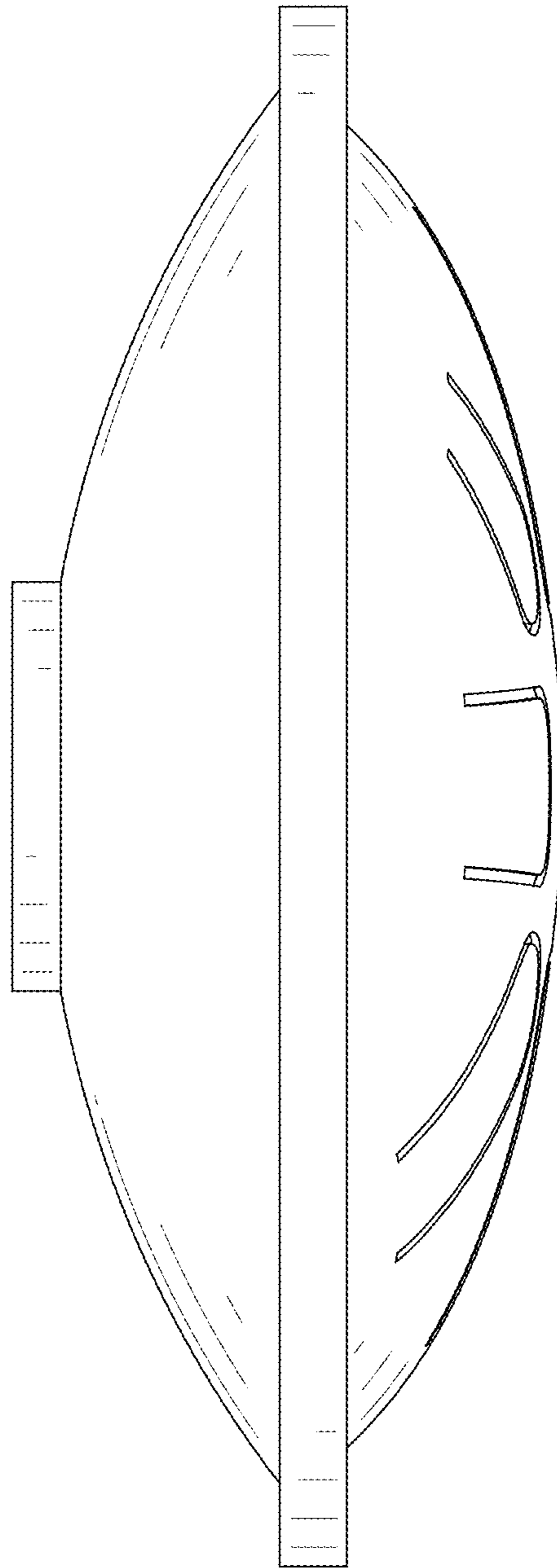


FIG. 5

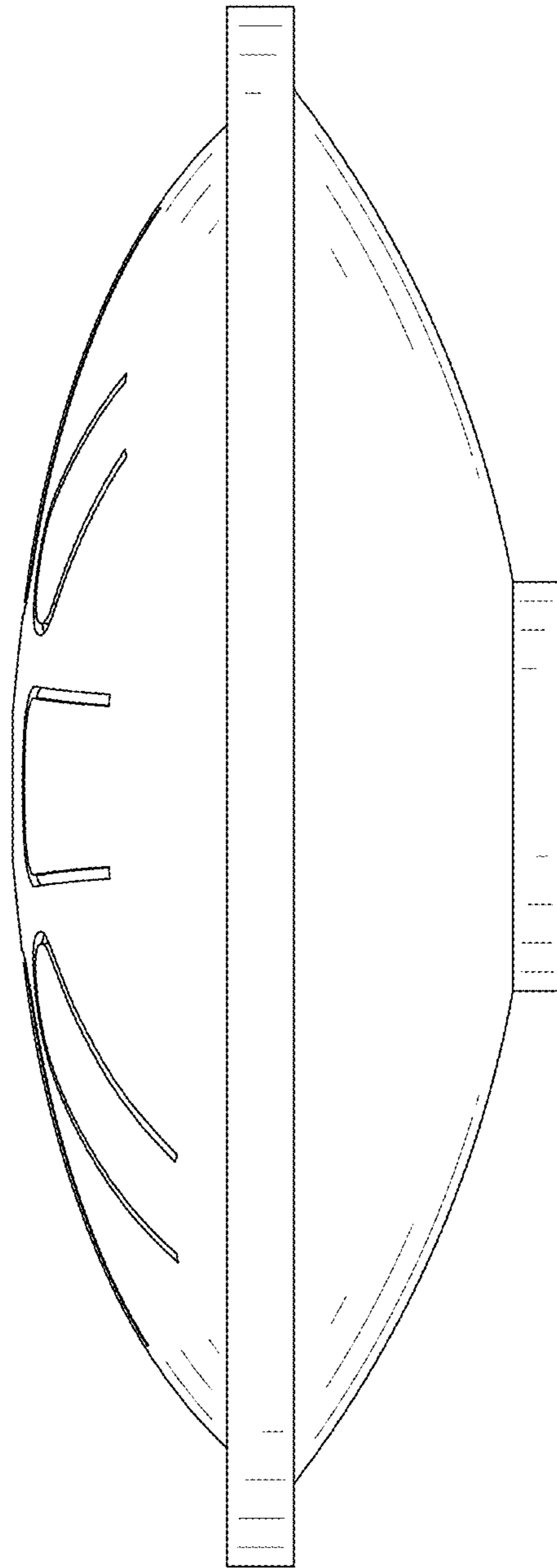


FIG. 6

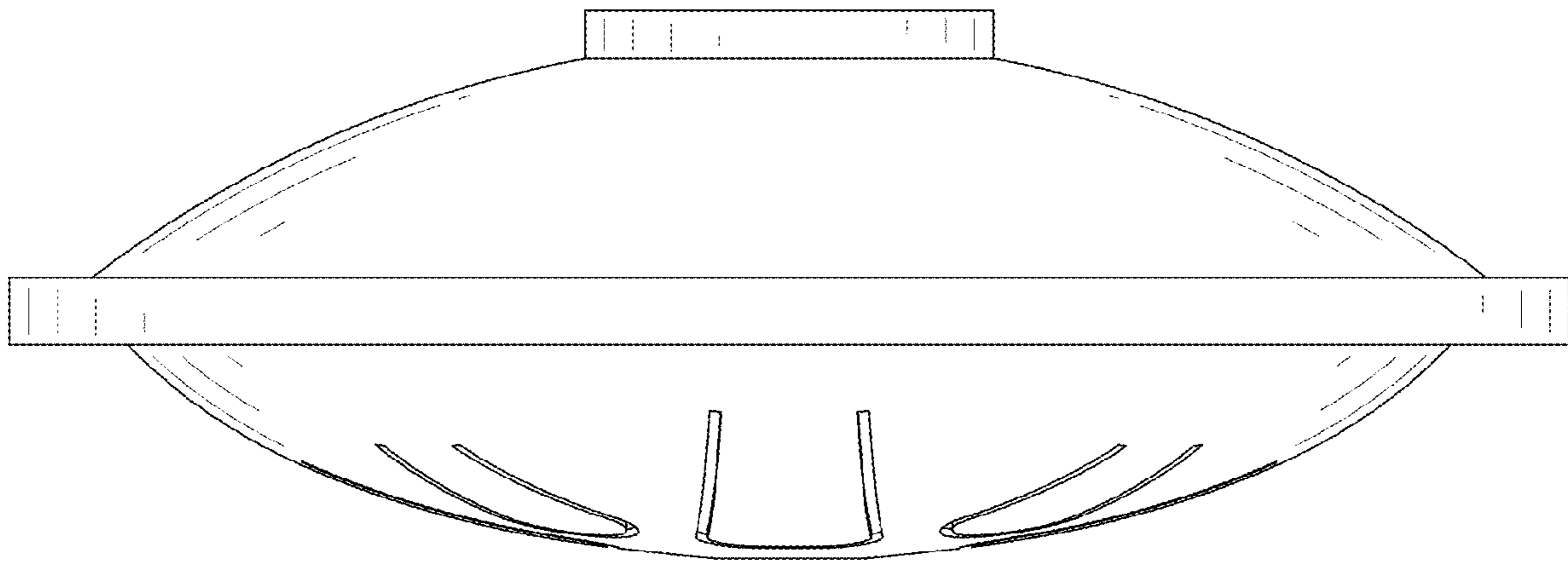


FIG. 7

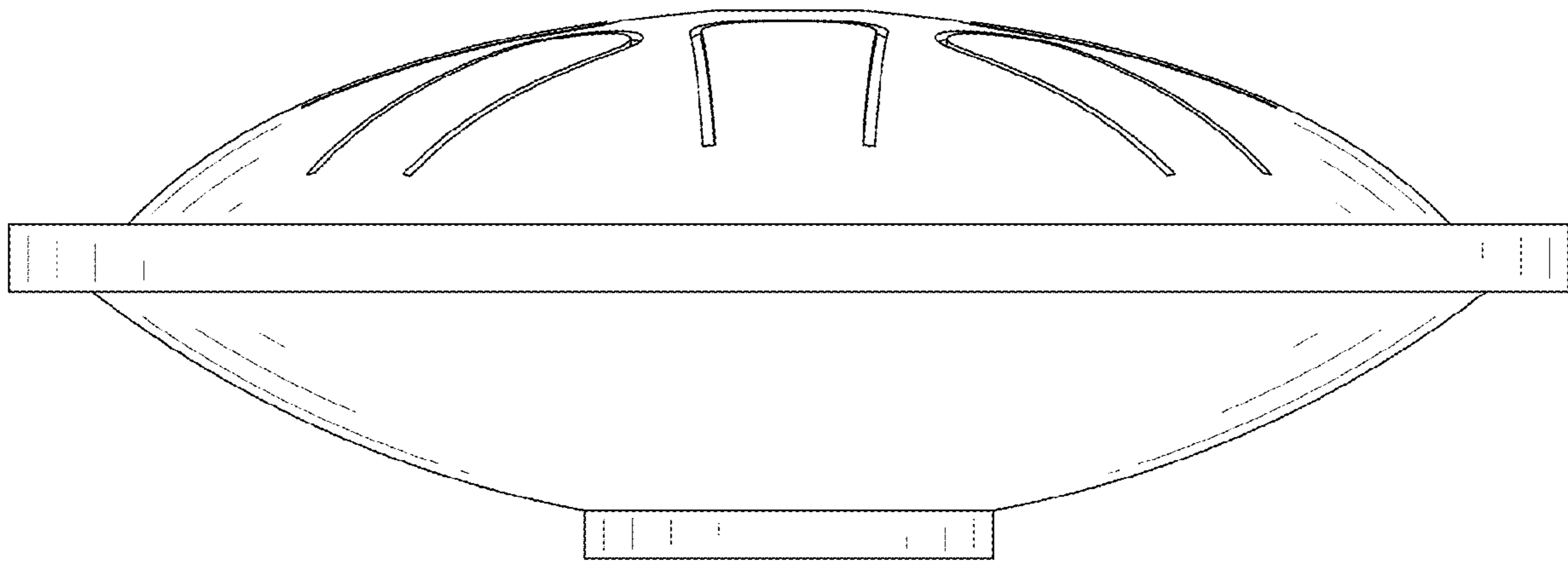


FIG. 8