



US00D953411S

(12) **United States Design Patent**
Long et al.

(10) **Patent No.:** US D953,411 S
(45) **Date of Patent:** ** May 31, 2022

(54) **STEEL TONGUE DRUM**

(71) Applicant: **DONGGUAN MANZHUSHAHUA MUSICAL INSTRUMENT MANUFACTURING CO., LTD.**, Dongguan (CN)

(72) Inventors: **Feiyu Long**, Dongguan (CN); **Xiaojin Cai**, Dongguan (CN)

(73) Assignee: **DONGGUAN MANZHUSHAHUA MUSICAL INSTRUMENT MANUFACTURING CO. LTD.**, Dongguan (CN)

(**) Term: **15 Years**

(21) Appl. No.: **29/766,944**

(22) Filed: **Jan. 19, 2021**

(51) **LOC (13) Cl.** **17-04**

(52) **U.S. Cl.**
USPC **D17/22**

(58) **Field of Classification Search**
USPC D17/22, 99; D21/405
CPC G10D 13/00; G10D 13/01; G10D 13/02;
G10D 13/03; G10D 13/10; G10D 13/11;
G10D 13/12; G10D 99/00
See application file for complete search history.

(56) **References Cited**

U.S. PATENT DOCUMENTS

D897,420	S	*	9/2020	Chen	D17/22
D914,798	S	*	3/2021	Yang	D17/22
D914,799	S	*	3/2021	Yang	D17/22
D919,698	S	*	5/2021	Yang	D17/22
2015/0364121	A1	*	12/2015	Güngör	G10D 13/08 84/411 R

OTHER PUBLICATIONS

Amazon.com. https://www.amazon.com/Happybuy-Percussion-Tongues-Handpan-Decoration/dp/B07VBD2PCF?pd_rd_w=bLpGz&pf_rd_p=c9b3a448-7c3c-4399-ac60-2bdc98844f72&pf_rd_r=HWY6N2NNGBSB0J69AX1E&pd_rd_r=749eb8c7-5739-4bea-8f90-69e93d210eb&pd_rd_wg=qLNvF&ref_=sspa_dk_rhf_detail_pt_sub_13&spLa=ZW5jcnlwdGVkUXVhbGlmaWVyPUEXMUQ5NkVGWkIBTjROJmVuY3J5cHRIZEIkPUEwMTUxNjI2MUNTWjIlVDVPTUszUyZlbnNyeXB0ZWZWRBZEIkPUEwMDM2NTEwMjU0NjUwMkEyVVNTTCZ3aWRnZXROeWw1IPXNwX3JoZl9kZXRhWmYWN0aW9uPWNsaWNrUmVkaXJlY3QmZG90b3RMb2dDbGljaz10cnVI&th=1. "Happybuy Black Steel Tongue Drum"; Sep. 17, 2019 (Year: 2019).*

* cited by examiner

Primary Examiner — R. Johnson

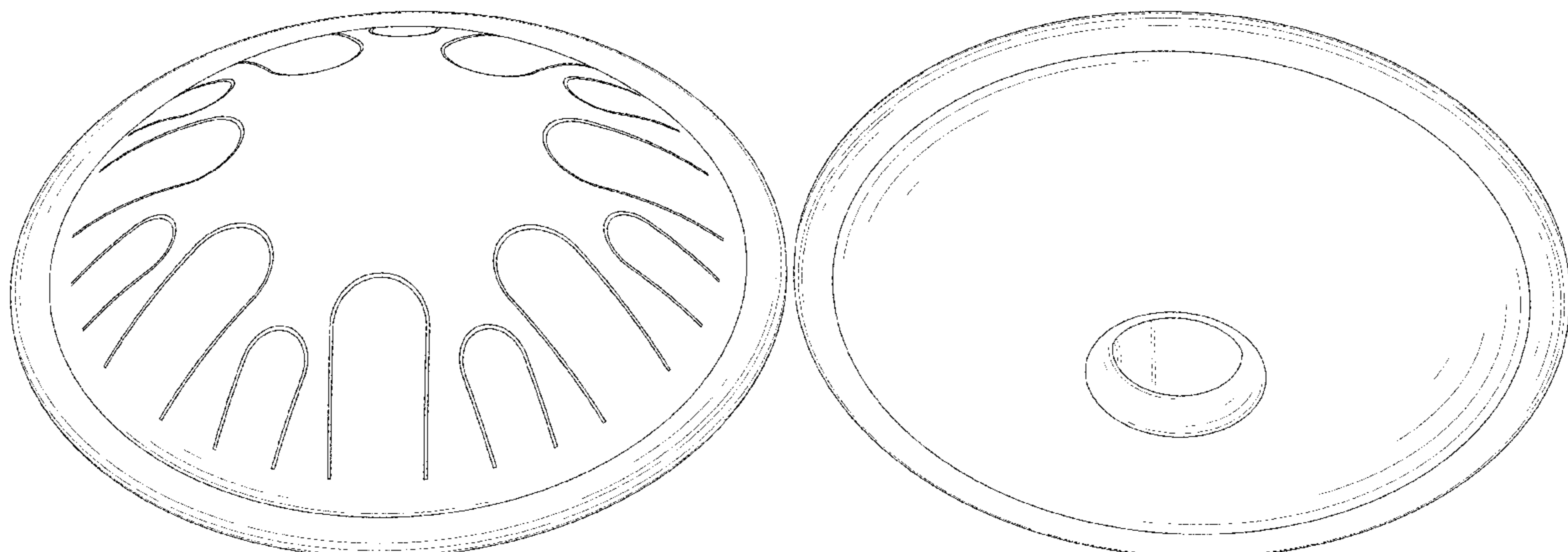
(57) **CLAIM**

The ornamental design for a steel tongue drum, as shown and described.

DESCRIPTION

FIG. 1 is a perspective view of a steel tongue drum showing my new design;
FIG. 2 is another perspective view thereof;
FIG. 3 is a front elevational view thereof;
FIG. 4 is a rear elevational view thereof;
FIG. 5 is a left side elevational view thereof;
FIG. 6 is a right side elevational view thereof;
FIG. 7 is a top plan view thereof; and,
FIG. 8 is a bottom plan view thereof.
The broken lines in the drawings depict portions of the steel tongue drum that form no part of the claimed design.

1 Claim, 8 Drawing Sheets



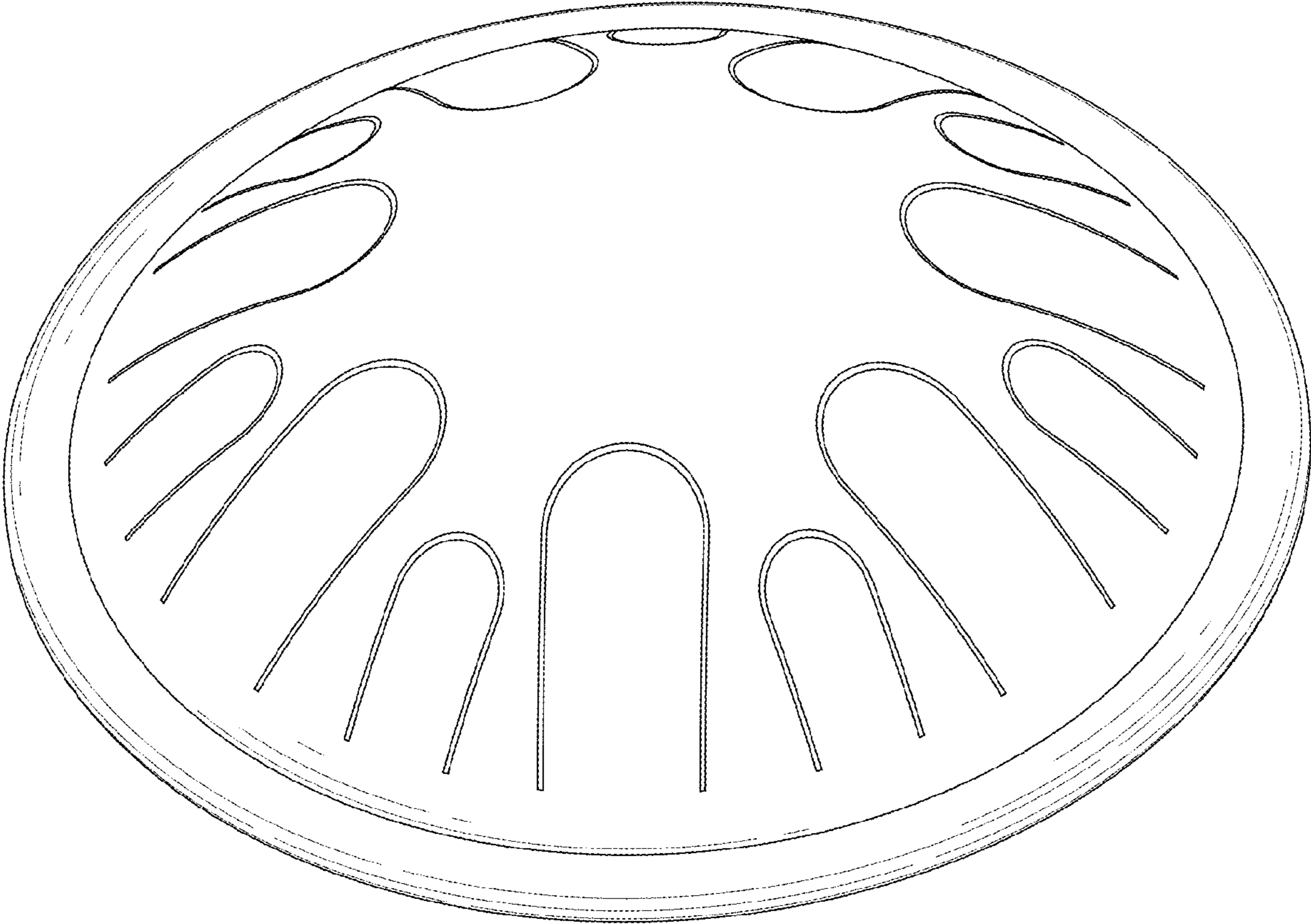


FIG. 1

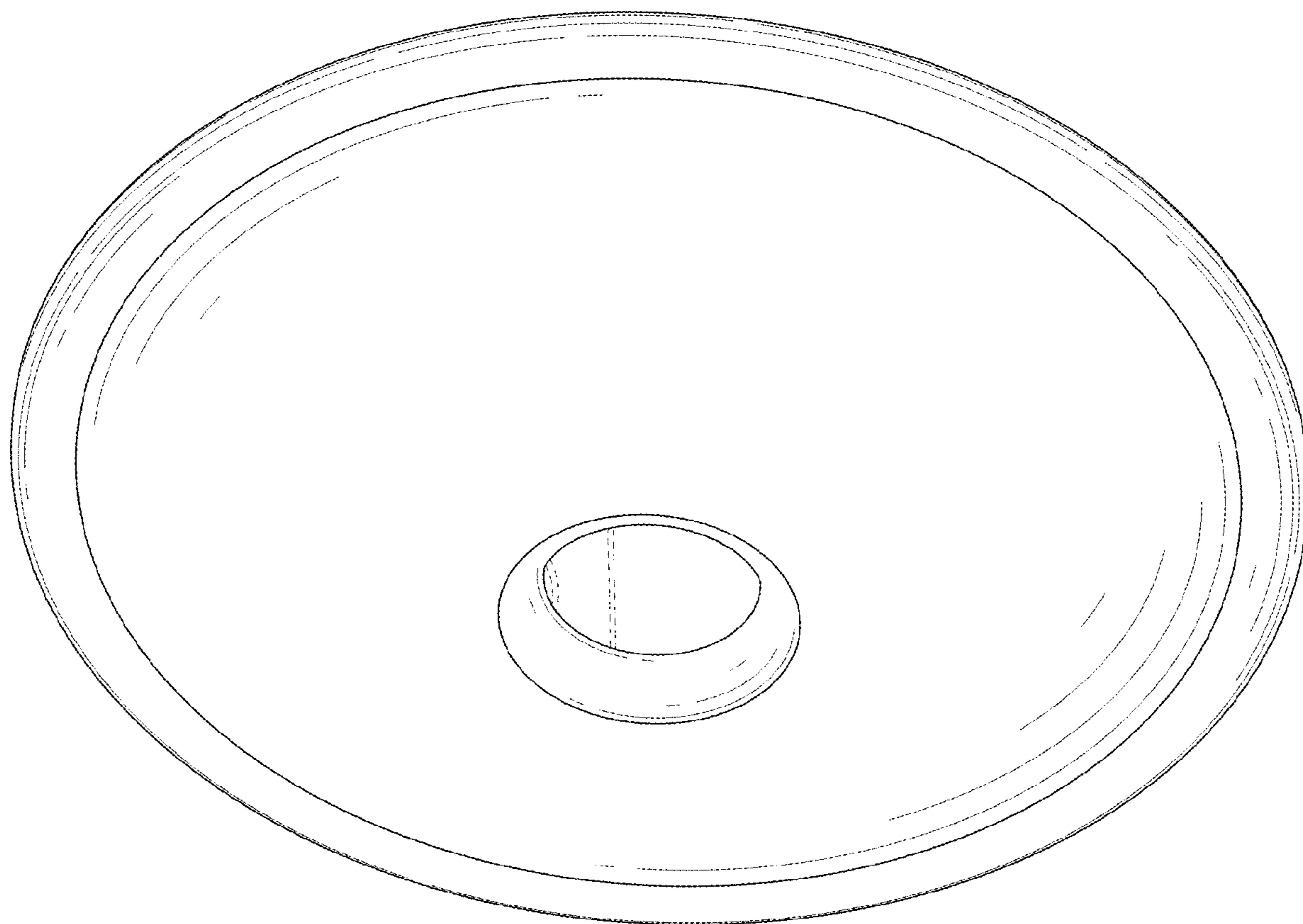


FIG. 2

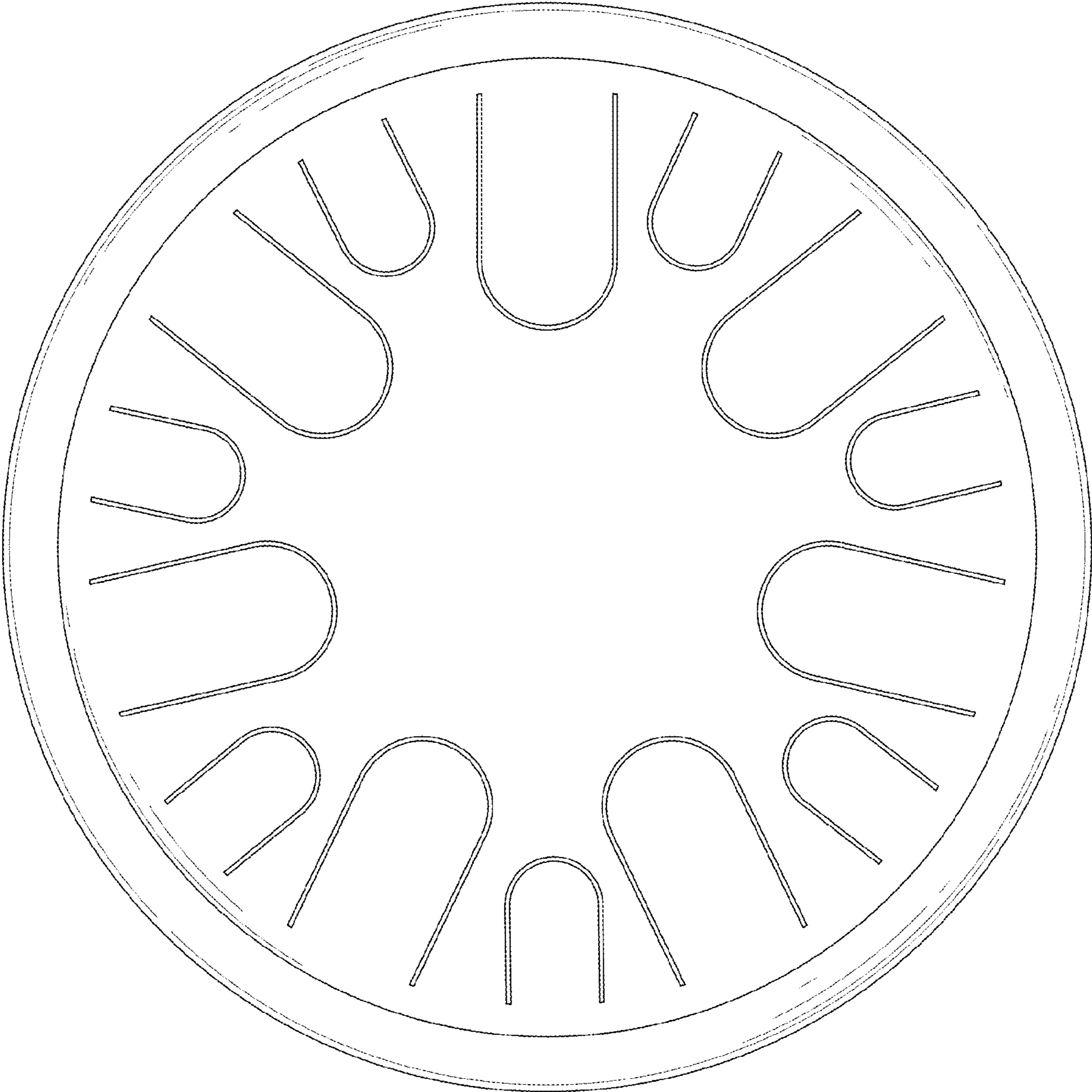


FIG. 3



FIG. 4

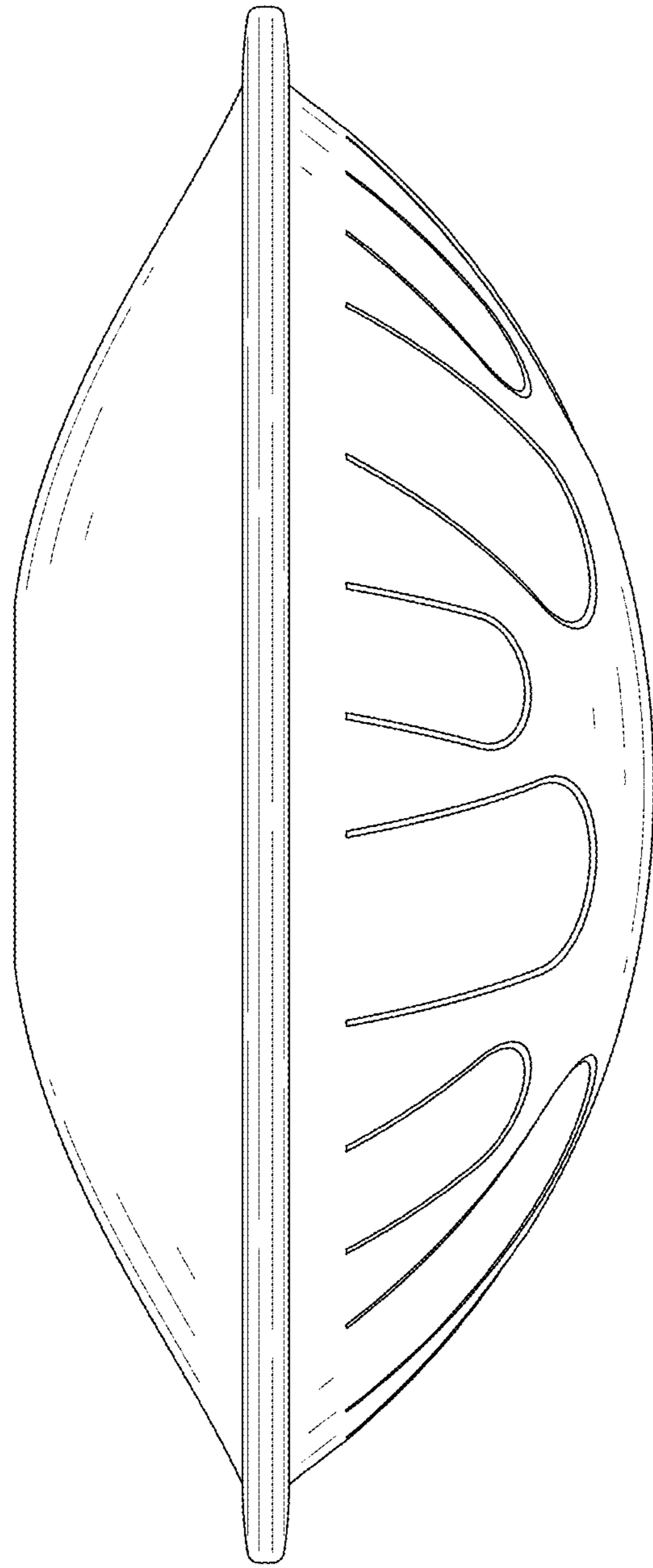


FIG. 5

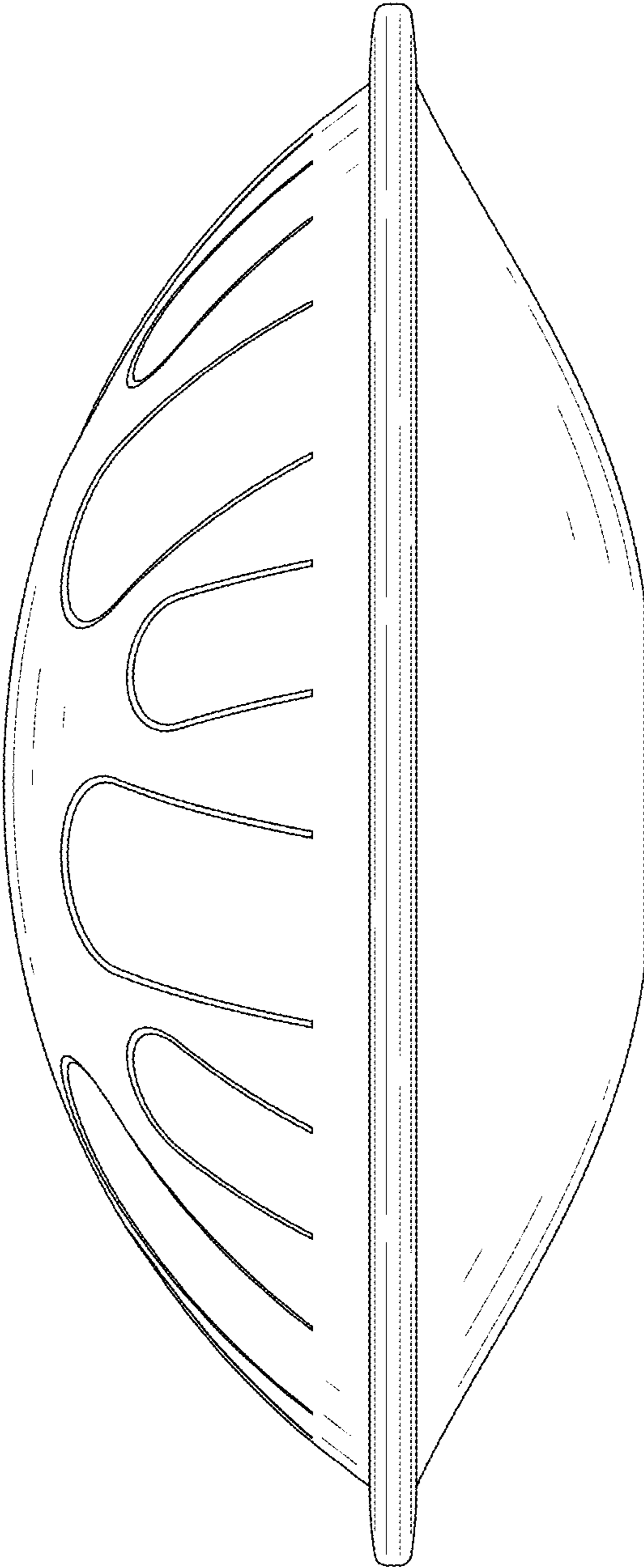


FIG. 6

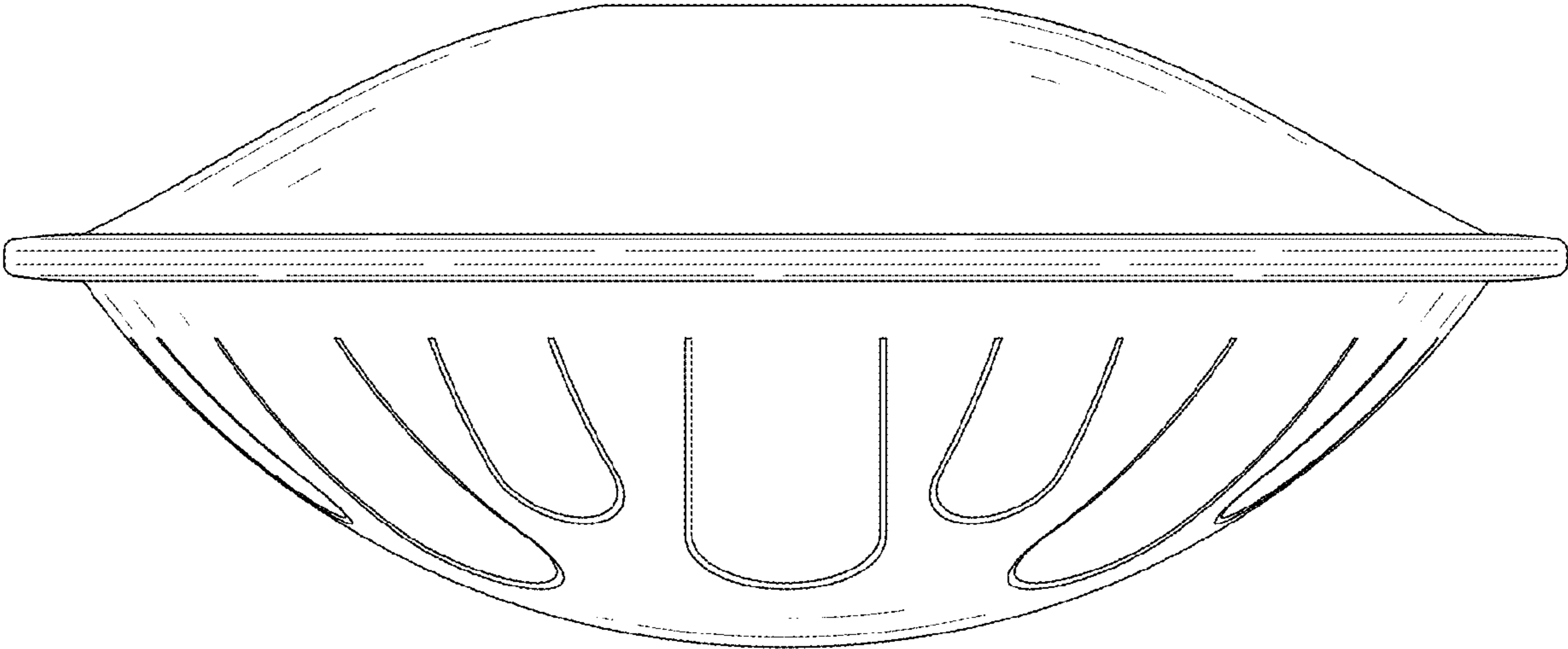


FIG. 7

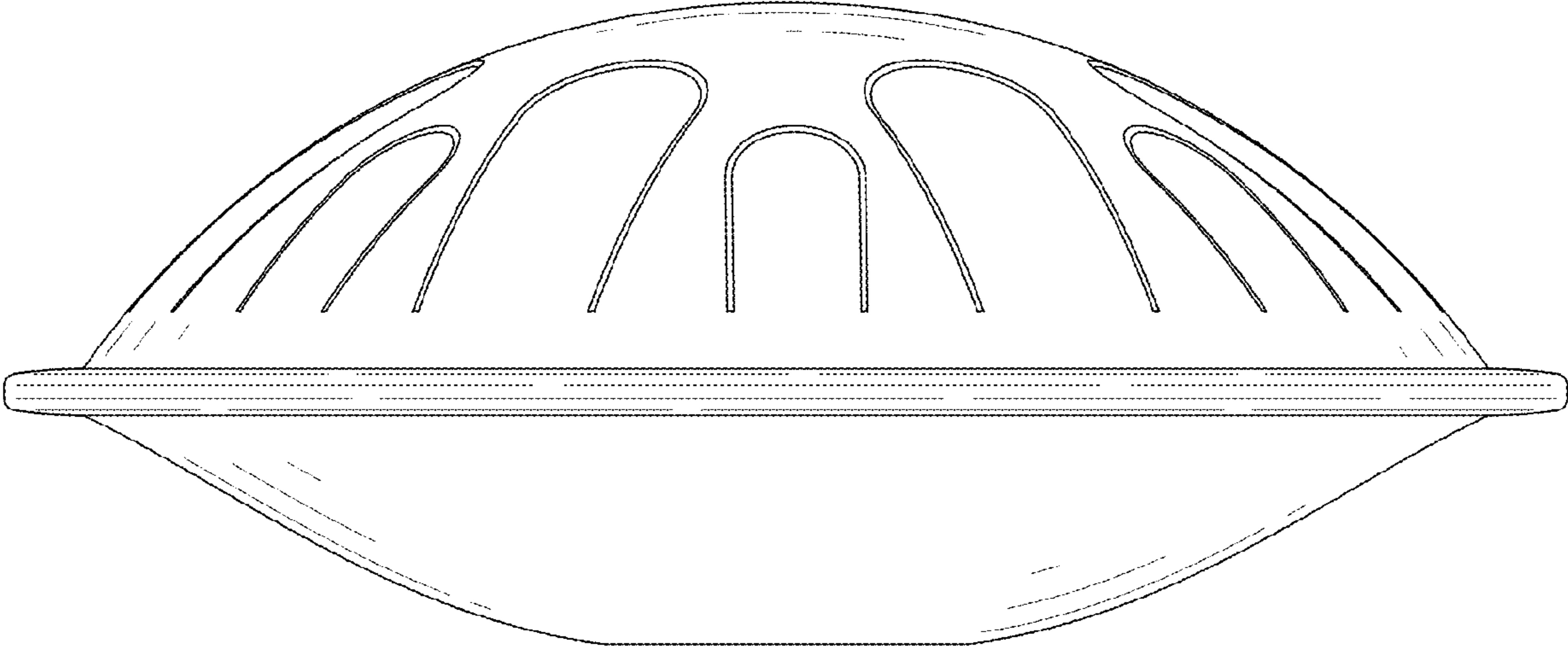


FIG. 8