



US00D953409S

(12) **United States Design Patent**
Zhang et al.

(10) **Patent No.:** **US D953,409 S**

(45) **Date of Patent:** **** May 31, 2022**

(54) **BRACKET FOR CAMERA**

(71) Applicant: **BEIJING XIAOMI MOBILE SOFTWARE CO., LTD.**, Beijing (CN)

(72) Inventors: **Qian Zhang**, Beijing (CN); **Ningning Li**, Beijing (CN); **Lei Zhang**, Beijing (CN)

(73) Assignee: **BEIJING XIAOMI MOBILE SOFTWARE CO., LTD.**, Beijing (CN)

(**) Term: **15 Years**

(21) Appl. No.: **35/509,813**

(22) Filed: **Mar. 9, 2020**

(80) **Hague Agreement Data**

Int. Filing Date: **Mar. 9, 2020**
Int. Reg. No.: **DM/209034**
Int. Reg. Date: **Mar. 9, 2020**
Int. Reg. Pub. Date: **Jul. 17, 2020**

(30) **Foreign Application Priority Data**

Sep. 23, 2019 (CN) 201930522244.X

(51) **LOC (13) Cl.** **16-05**

(52) **U.S. Cl.**
USPC **D16/242**

(58) **Field of Classification Search**
USPC D16/200, 205, 208, 211, 214, 218-220,
D16/235, 237-250, 302, 303
CPC G03B 17/14; G03B 17/26; G03B 17/30;
G03B 17/56
See application file for complete search history.

(56) **References Cited**

U.S. PATENT DOCUMENTS

D214,703 S * 7/1969 Kiven D16/242
D230,634 S * 3/1974 Kardach D16/242

D367,284 S * 2/1996 Hoerter D16/242
D370,193 S * 5/1996 Shull D12/114
D376,380 S * 12/1996 Yang D16/242
D449,638 S * 10/2001 Boyle D16/242
D452,135 S * 12/2001 Wyatt D8/354
D483,789 S * 12/2003 Dordick D16/242
D591,325 S * 4/2009 Dordick D16/242
D618,992 S * 7/2010 Rix D8/394
D634,770 S * 3/2011 Dittmer D16/235
D649,576 S * 11/2011 Jannard D16/242
D656,533 S * 3/2012 Dordick D16/242
D666,662 S * 9/2012 Runnals D16/242
D675,661 S * 2/2013 Jannard D16/242

(Continued)

Primary Examiner — Holly E Thurman

(74) *Attorney, Agent, or Firm* — Syncoda LLC; Feng Ma

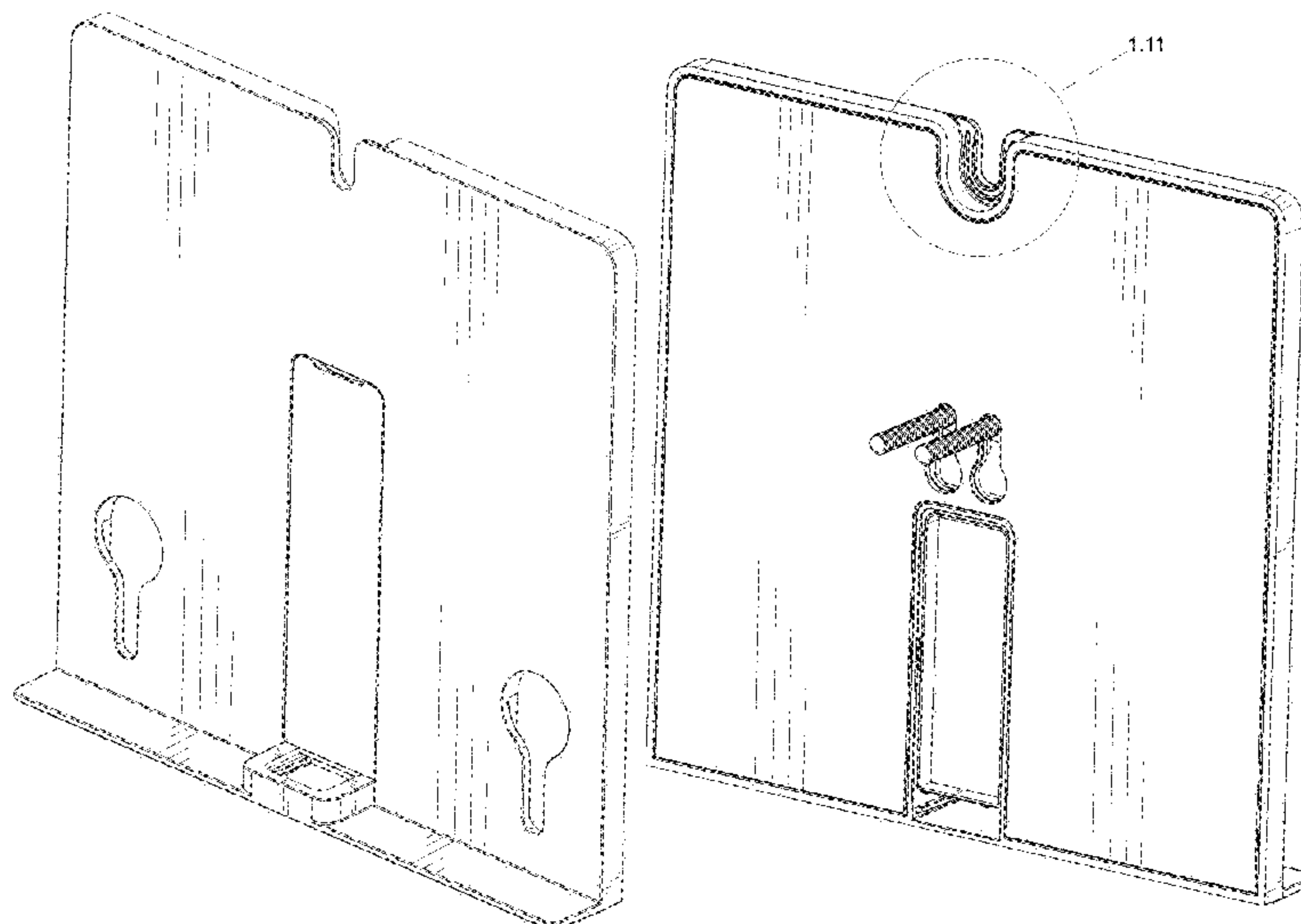
(57) **CLAIM**

The ornamental design for a bracket for camera, as shown and described.

DESCRIPTION

1.1 is a front view of a bracket for camera showing our new design;
1.2 is a back view thereof;
1.3 is a left view thereof;
1.4 is a right view thereof;
1.5 is a top view thereof;
1.6 is a bottom view thereof;
1.7 is a front perspective view thereof;
1.8 is a back perspective view thereof;
1.9 is a front perspective view thereof, shown in a state of use;
1.10: is a partial enlarged view of reproduction **1.5**; and
1.11: is a partial enlarged view of reproduction **1.8**.
The broken lines in reproduction **1.9** depict environment and form no part of the claimed design. The dash-dot broken lines shown in the reproductions **1.5**, **1.8**, **1.10** and **1.11** are for the purpose of illustrating the boundaries of the partially enlarged views and form no part of the claimed design, whereas the views therein form part of the claimed design.

1 Claim, 11 Drawing Sheets



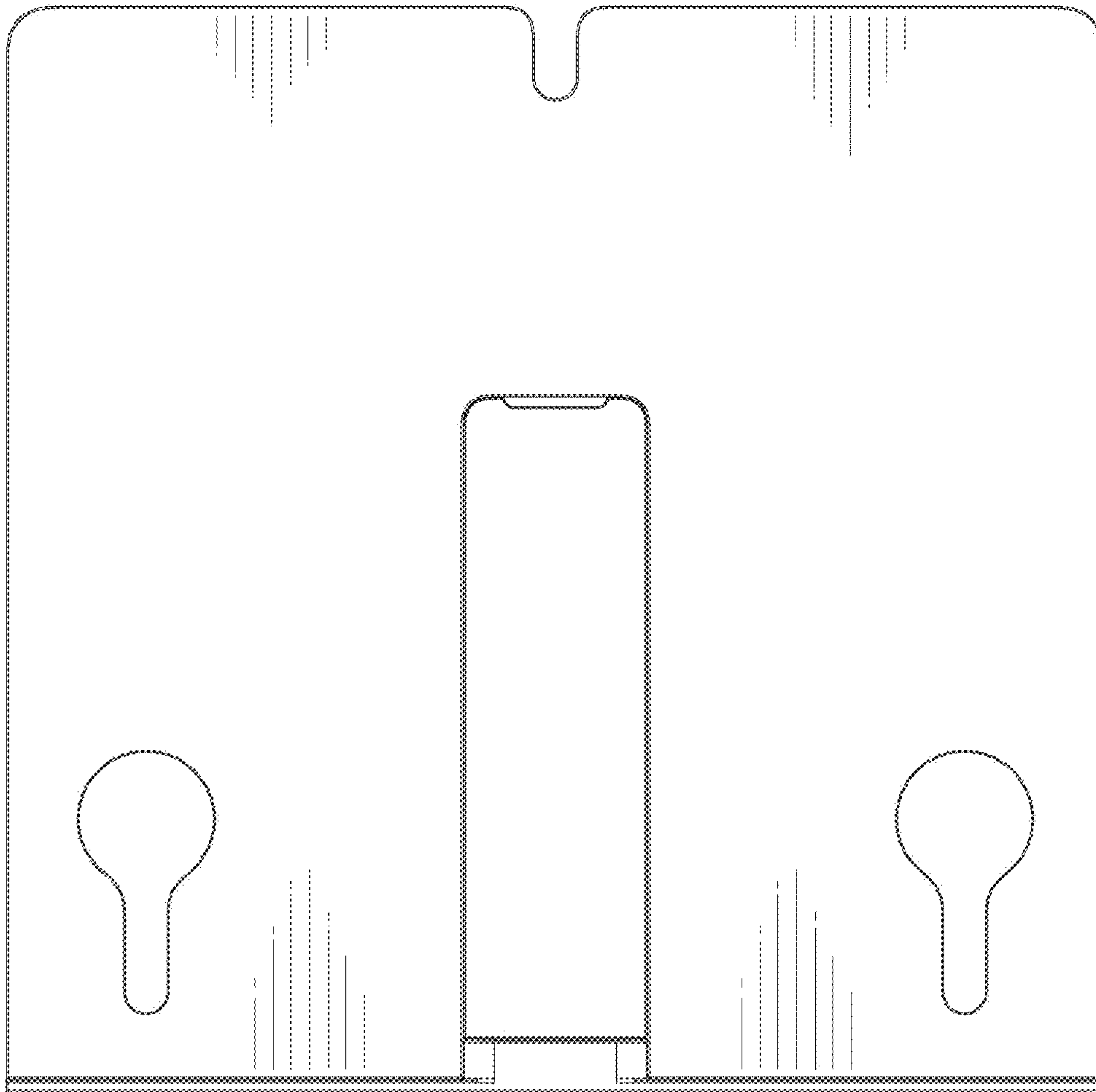
(56)

References Cited

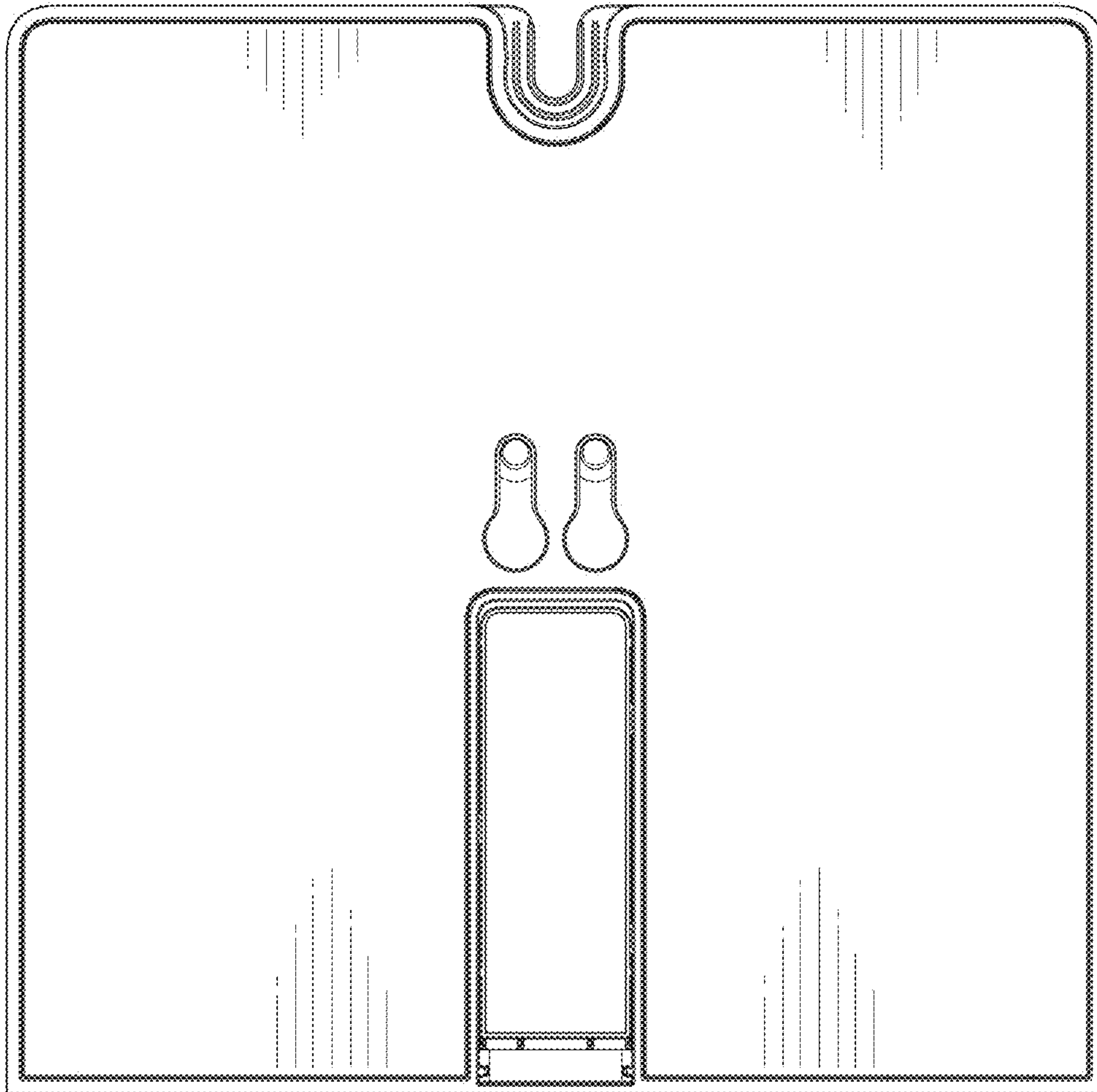
U.S. PATENT DOCUMENTS

D678,386 S *	3/2013	Huguley	D16/243
D680,151 S *	4/2013	Katori	D16/242
D752,677 S *	3/2016	Fliger	D16/242
D820,343 S *	6/2018	Dordick	D16/242
D852,871 S *	7/2019	Wilson	D16/242

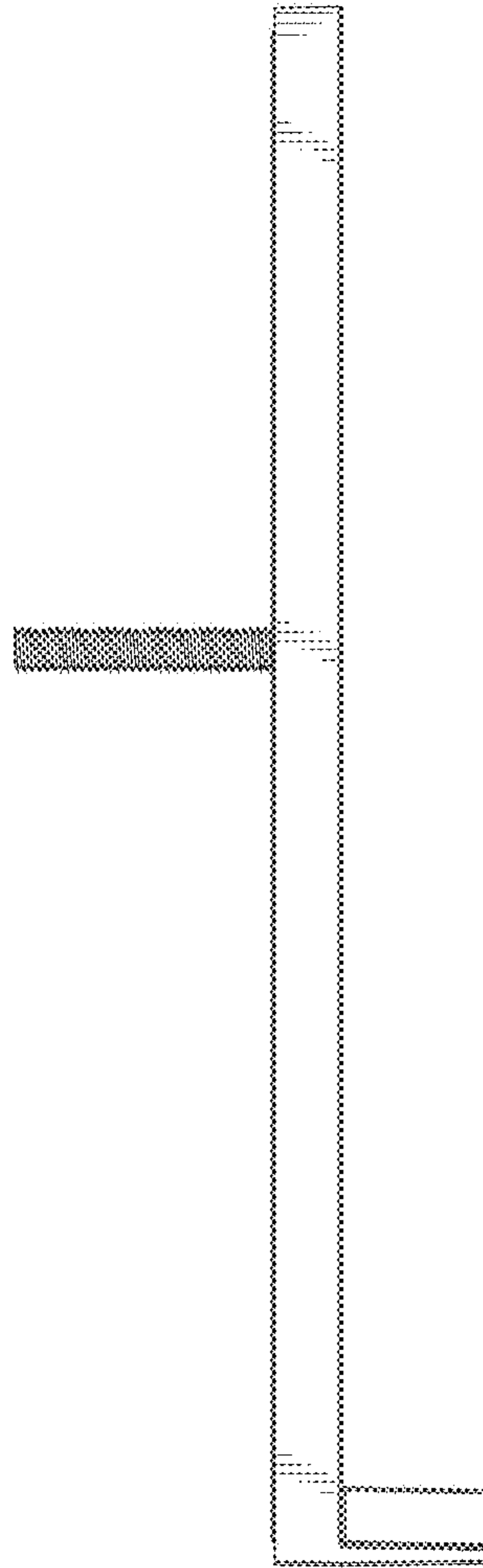
* cited by examiner



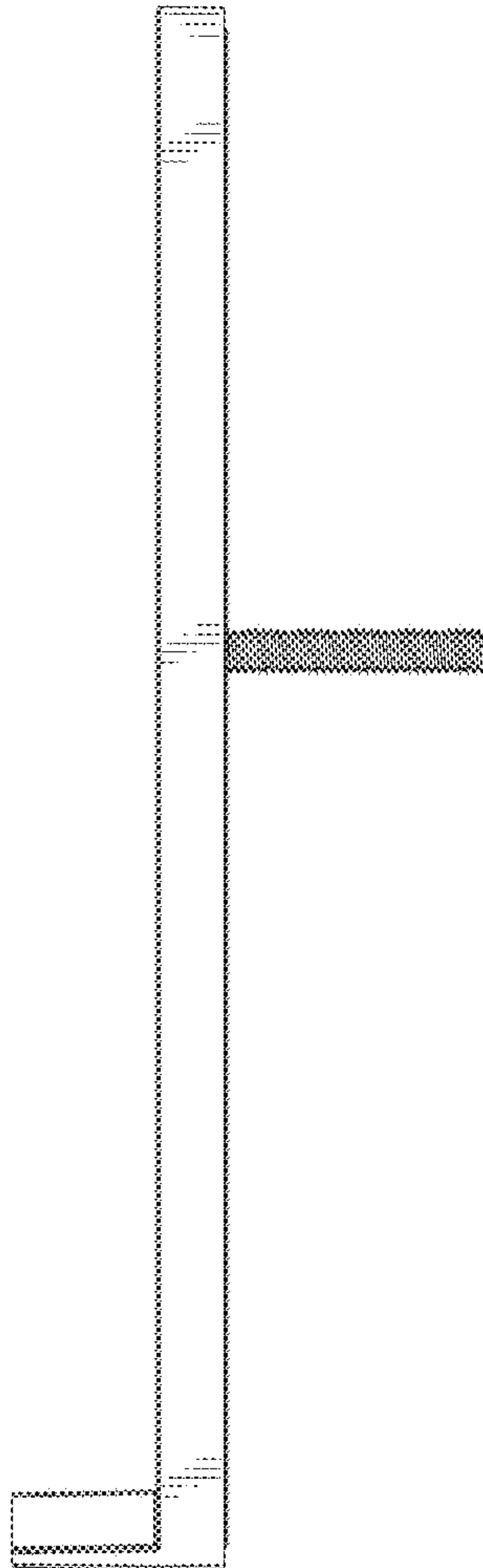
1.1



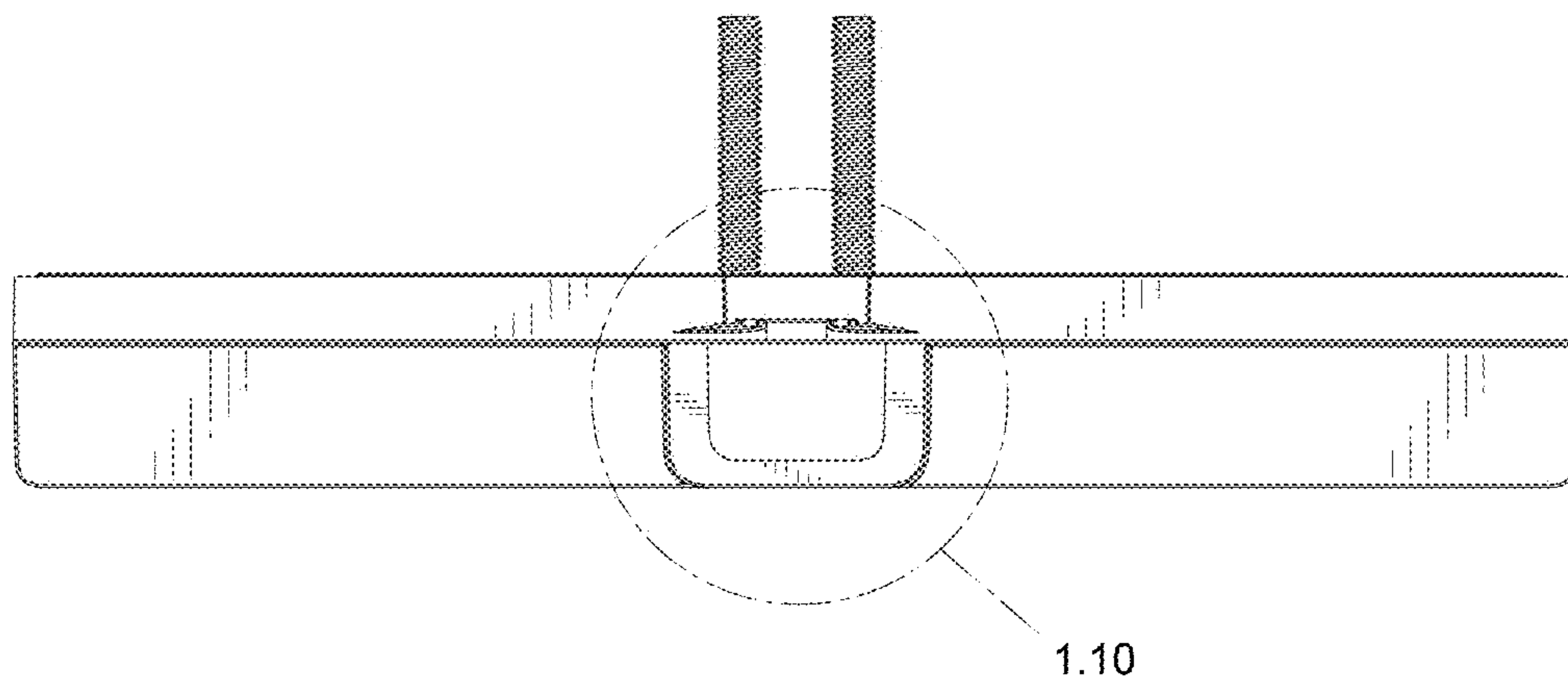
1.2



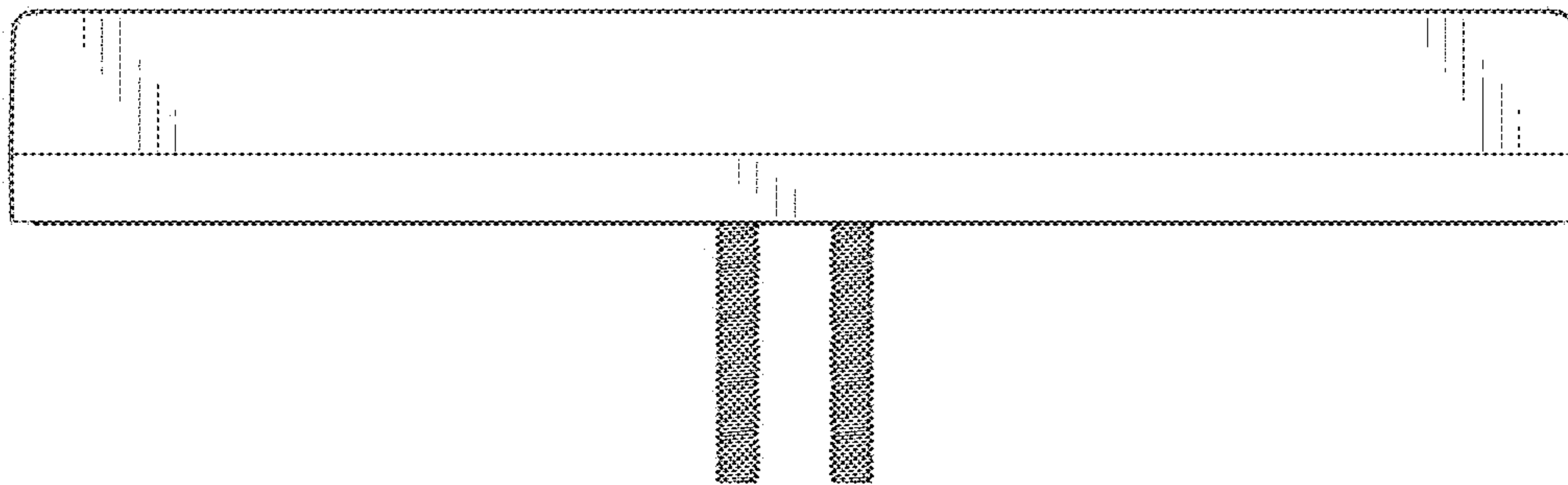
1.3



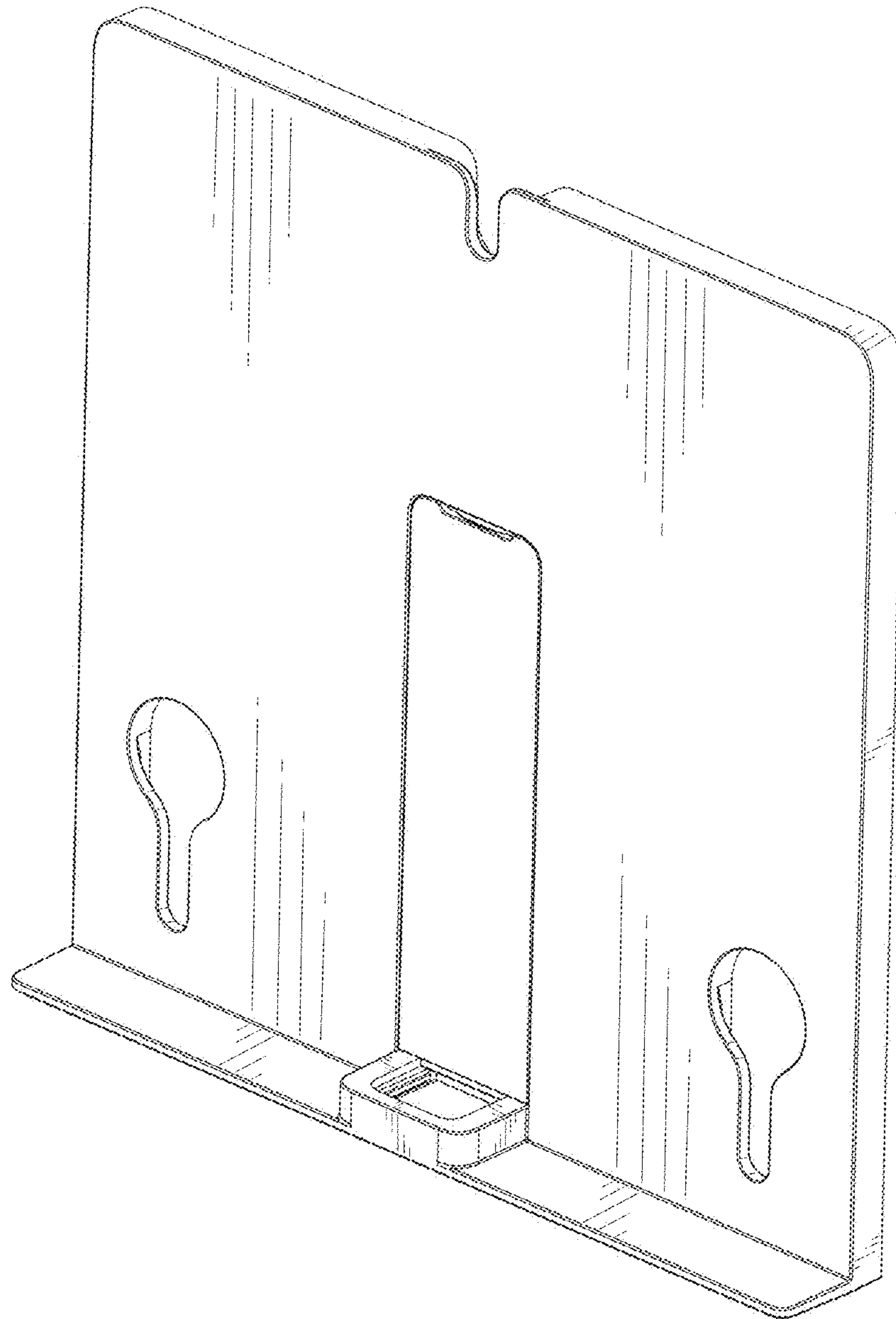
1.4



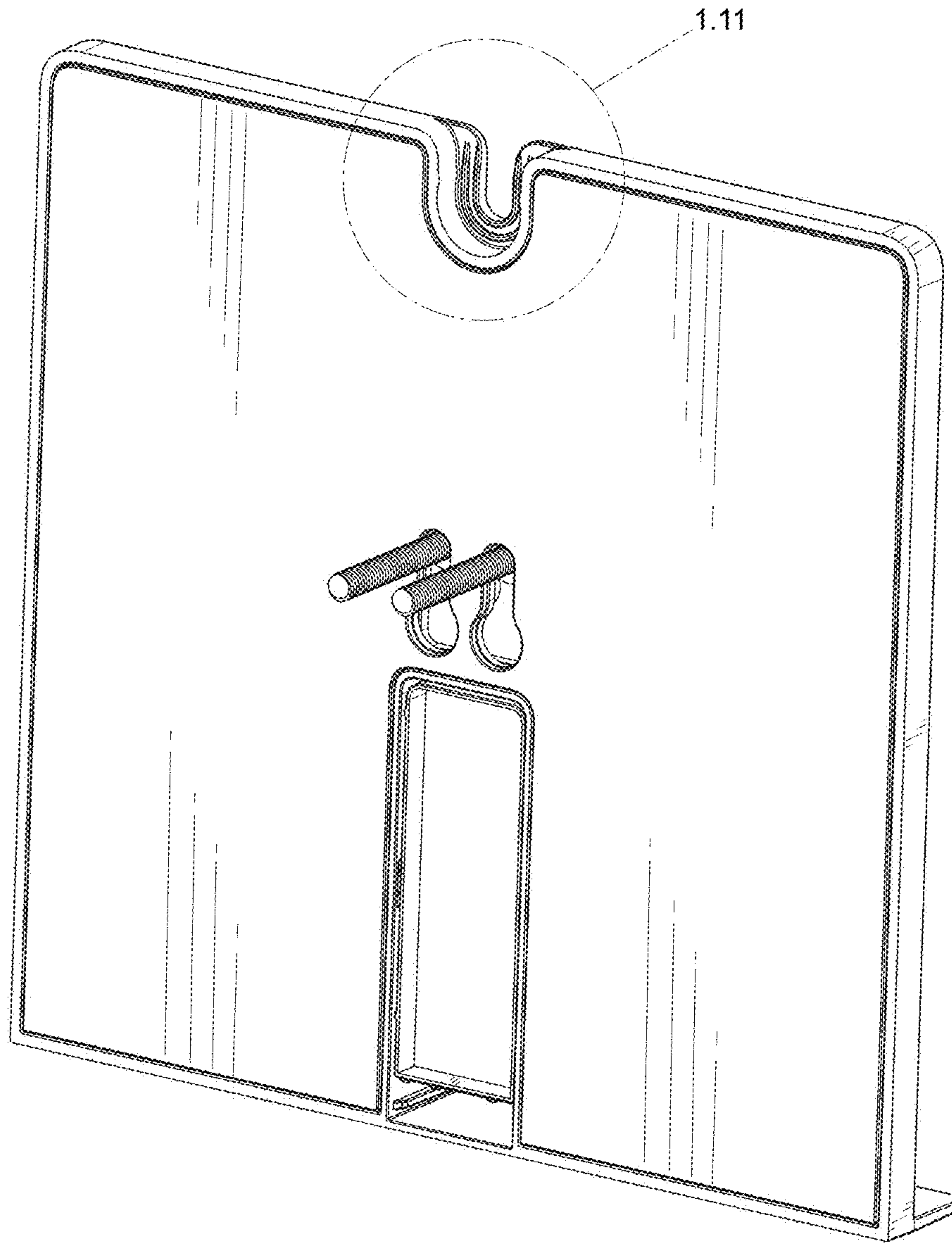
1.5



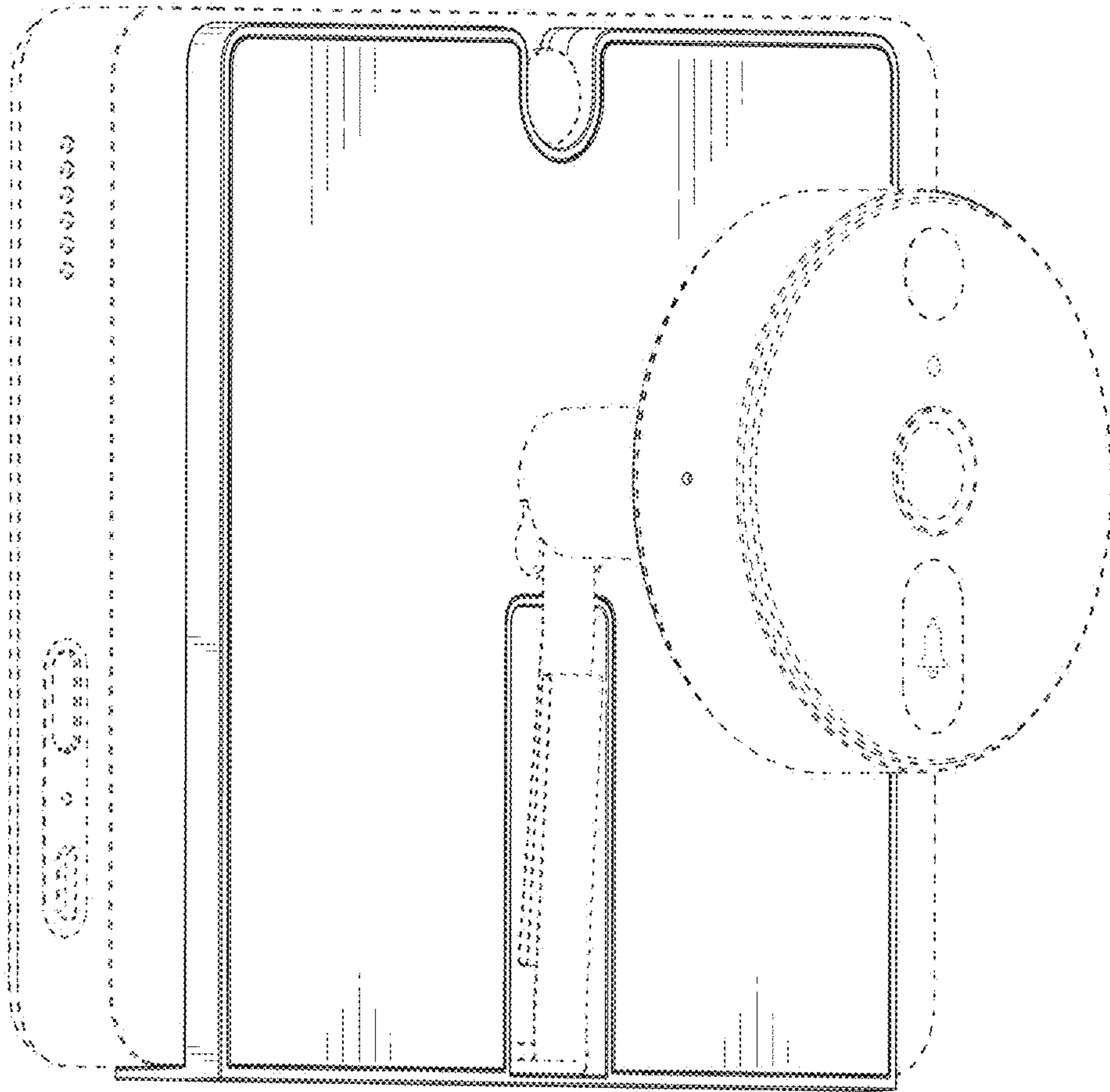
1.6



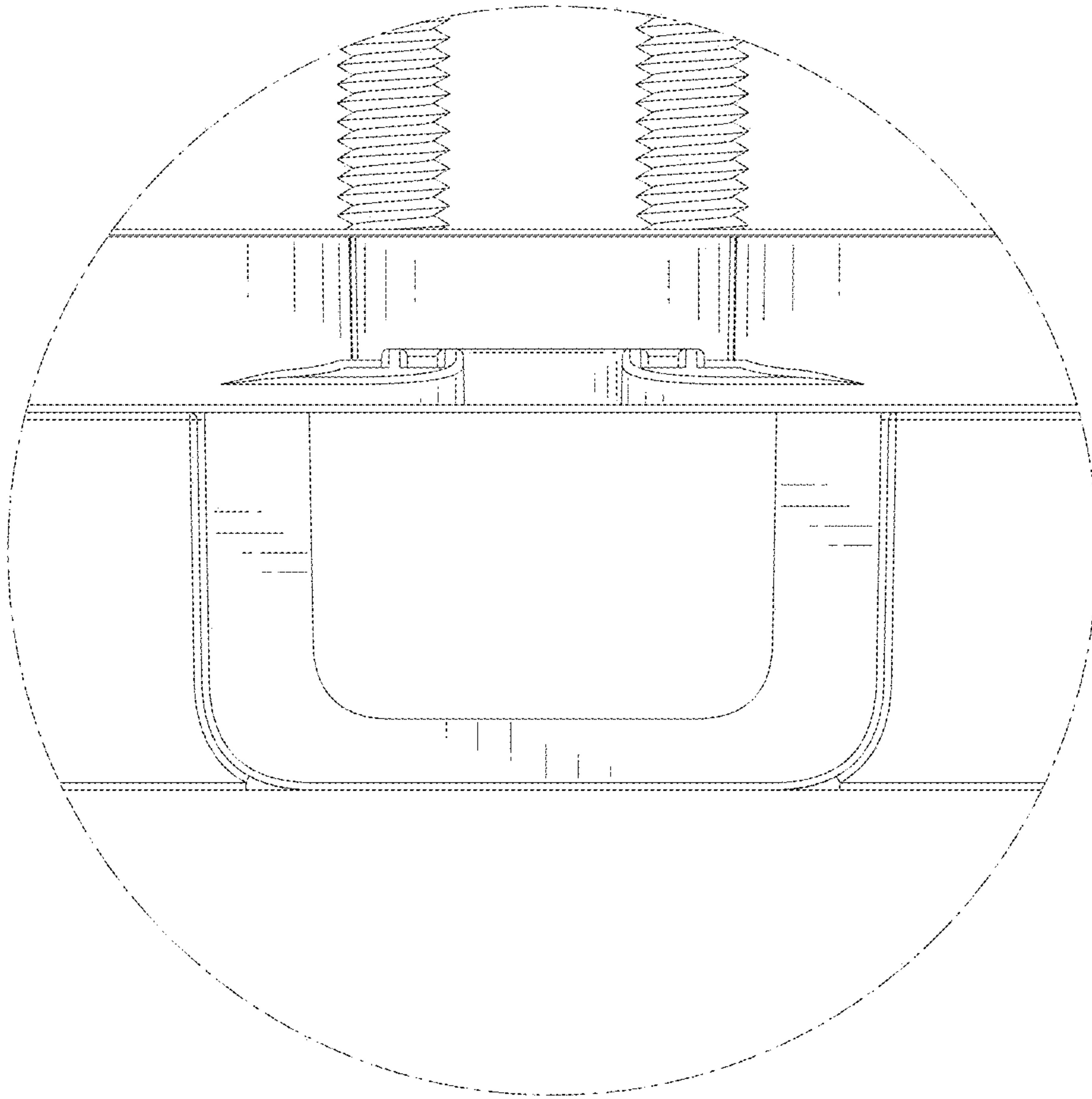
1.7



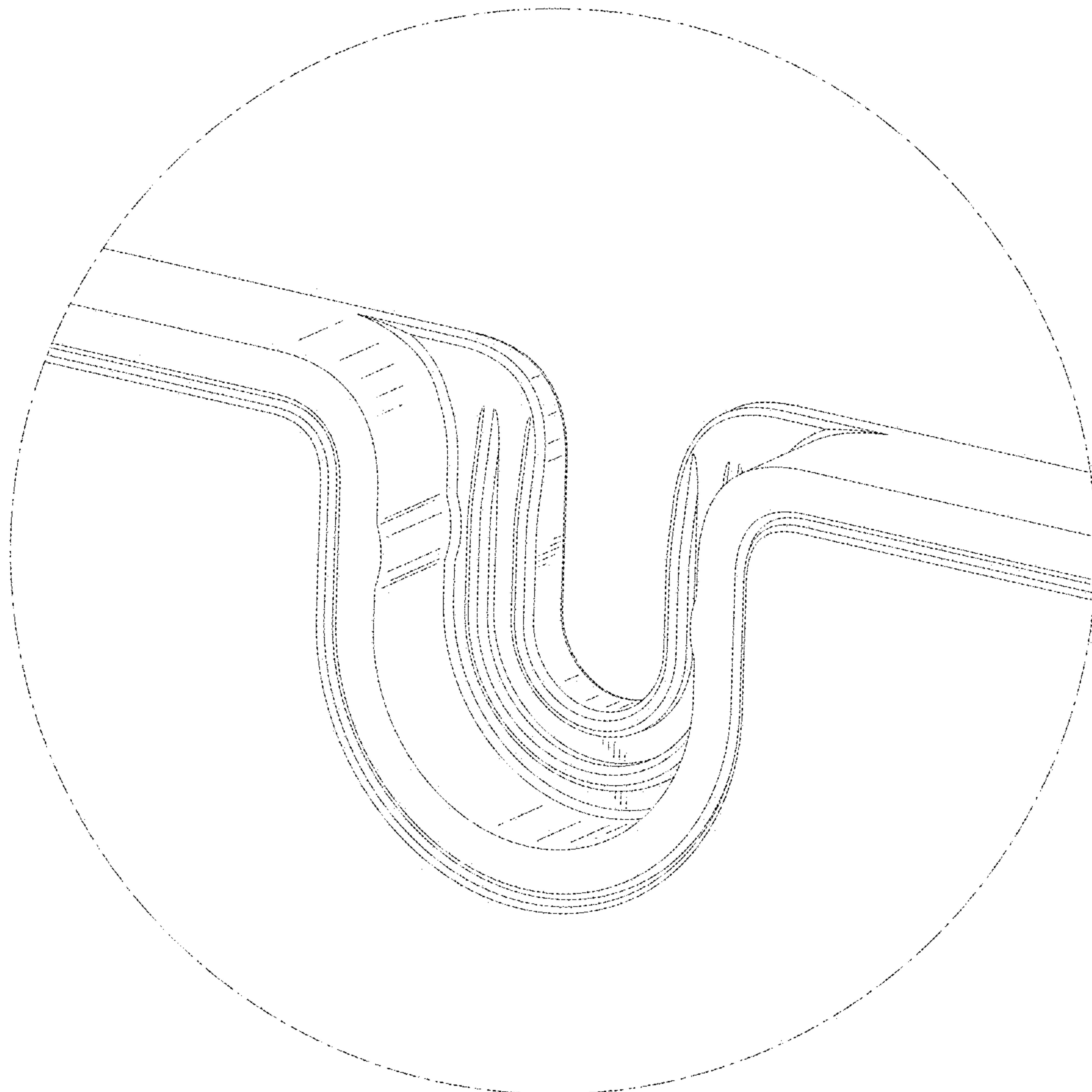
1.8



1.9



1.10



1.11