



US00D953408S

(12) **United States Design Patent** (10) **Patent No.:** **US D953,408 S**
Liu (45) **Date of Patent:** **** May 31, 2022**

(54) **SUCTION CUP DASH CAM MOUNT**
(71) Applicant: **Shenzhen Leaderway Times Technology Co., Ltd, Guangdong (CN)**
(72) Inventor: **Li Liu, Guangdong (CN)**
(73) Assignee: **Shenzhen Leaderway Times Technology Co., Ltd, Shenzhen (CN)**

D581,344 S * 11/2008 Richter D12/415
D688,726 S * 8/2013 Samuels D16/242
D698,851 S * 2/2014 Samuels D16/242
D715,132 S * 10/2014 McSweyn D8/363
D818,421 S * 5/2018 Hu D12/415
D825,545 S * 8/2018 McSweyn D14/447
D877,138 S * 3/2020 McSweyn D12/415
D885,377 S * 5/2020 Hu D14/253
D889,383 S 7/2020 Wang
D889,475 S 7/2020 Yamamoto
2004/0256529 A1* 12/2004 Richter F16M 11/041
248/309.1
2010/0320341 A1* 12/2010 Baumann F16B 47/006
248/299.1

(**) Term: **15 Years**
(21) Appl. No.: **29/799,498**

(22) Filed: **Jul. 14, 2021**
(51) **LOC (13) Cl.** **16-05**
(52) **U.S. Cl.**
USPC **D16/242; D14/253; D12/415**
(58) **Field of Classification Search**
USPC D14/251-253, 439, 240, 447; D3/218;
D12/415, 407; D16/242-245
CPC H04M 1/04; H04M 1/0279; A45F
2200/0516; A45F 5/00; A45F 2200/0525;
A45C 2011/002; A45C 2011/003; B60R
11/0241; B60R 11/04; B60R 2011/0056;
F16B 47/006
See application file for complete search history.

OTHER PUBLICATIONS

Sportway S40 Dash Cam Suction Mount by Leaderway USA, published by Amazon.com on Aug. 5, 2021. <https://www.amazon.com/dp/B098NTPP4P/ref=cm_sw_em_r_mt_dp_8G3RFFFX240TBF35C54D6?_encoding=UTF8&psc=1> (Year: 2021).*

* cited by examiner

Primary Examiner — Janice Hallmark

(57) **CLAIM**

The ornamental design for a suction cup dash cam mount, as shown and described.

DESCRIPTION

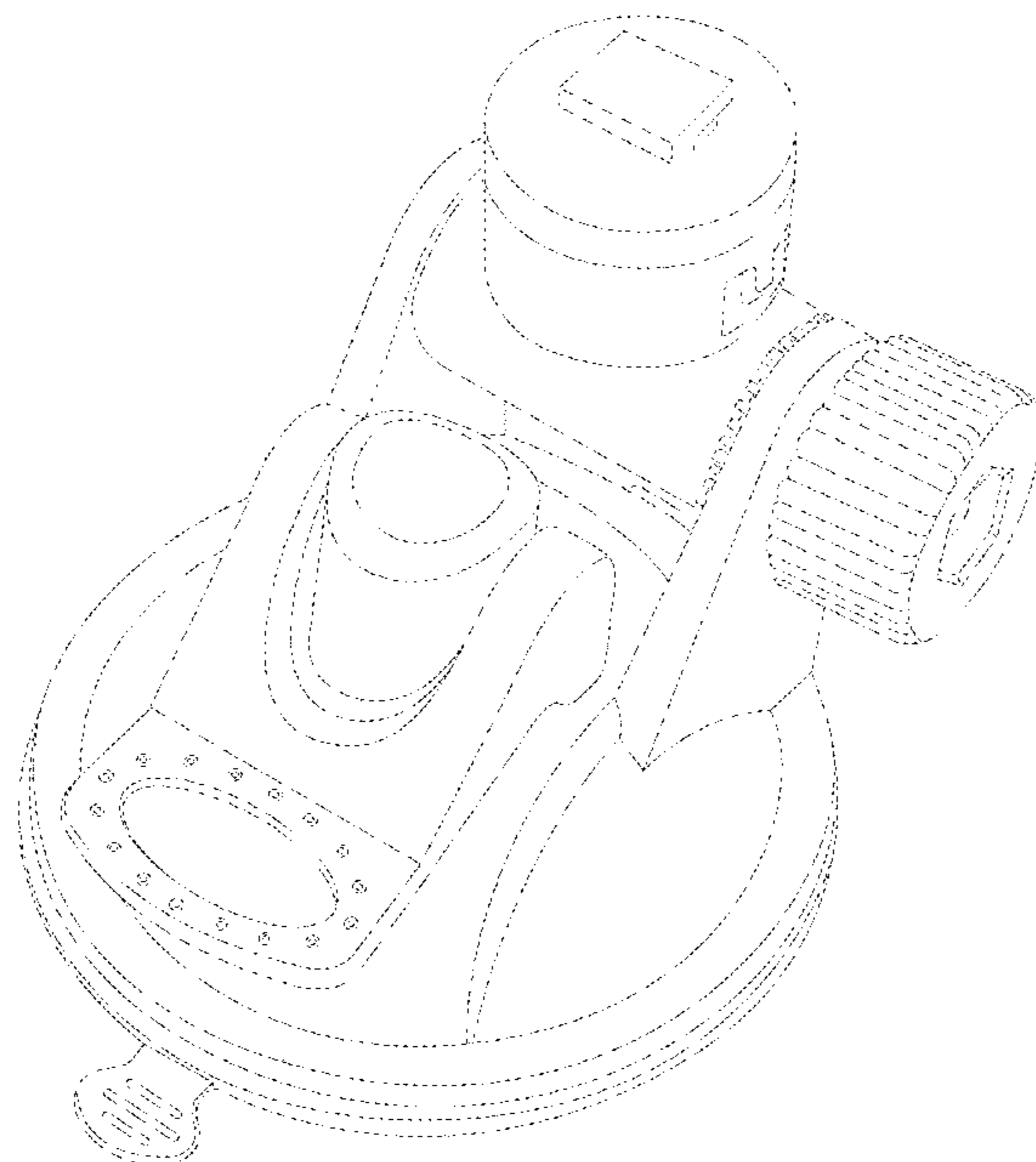
FIG. 1 is a perspective view of a suction cup dash cam mount showing my new design;
FIG. 2 is a front view thereof;
FIG. 3 is a back view thereof;
FIG. 4 is a left side view thereof;
FIG. 5 is a right side view thereof;
FIG. 6 is a top view thereof; and,
FIG. 7 is a bottom view thereof.

1 Claim, 7 Drawing Sheets

(56) **References Cited**

U.S. PATENT DOCUMENTS

6,966,533 B1 * 11/2005 Kalis F16M 13/022
248/316.4
7,021,593 B1 * 4/2006 Fan F16B 47/00
248/292.12
D521,850 S * 5/2006 Richter D8/354
D554,042 S * 10/2007 Richter D12/415
D563,309 S * 3/2008 Richter D12/415
D579,854 S * 11/2008 Mo D12/415
D580,847 S * 11/2008 Mo D12/415



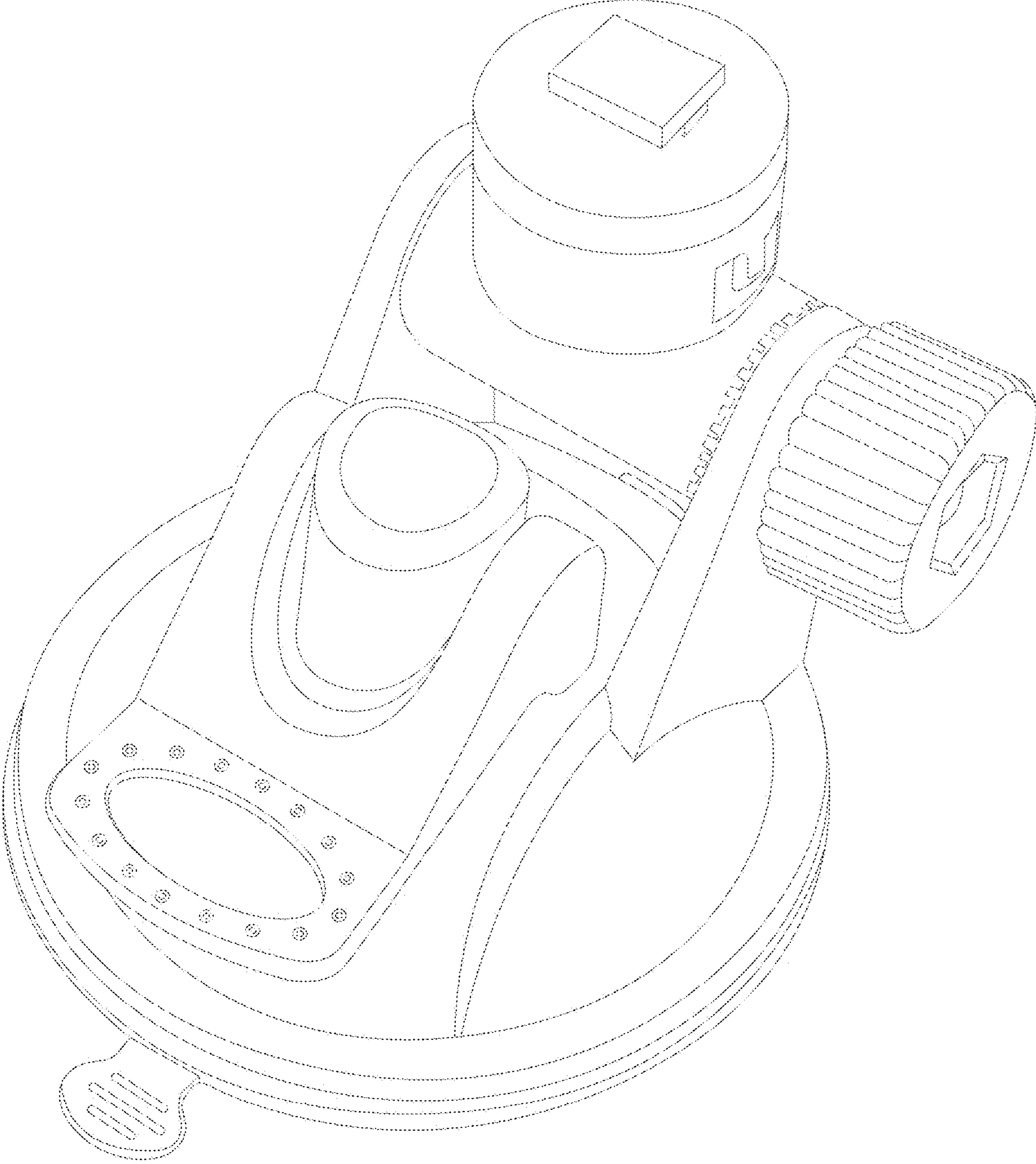


FIG 1

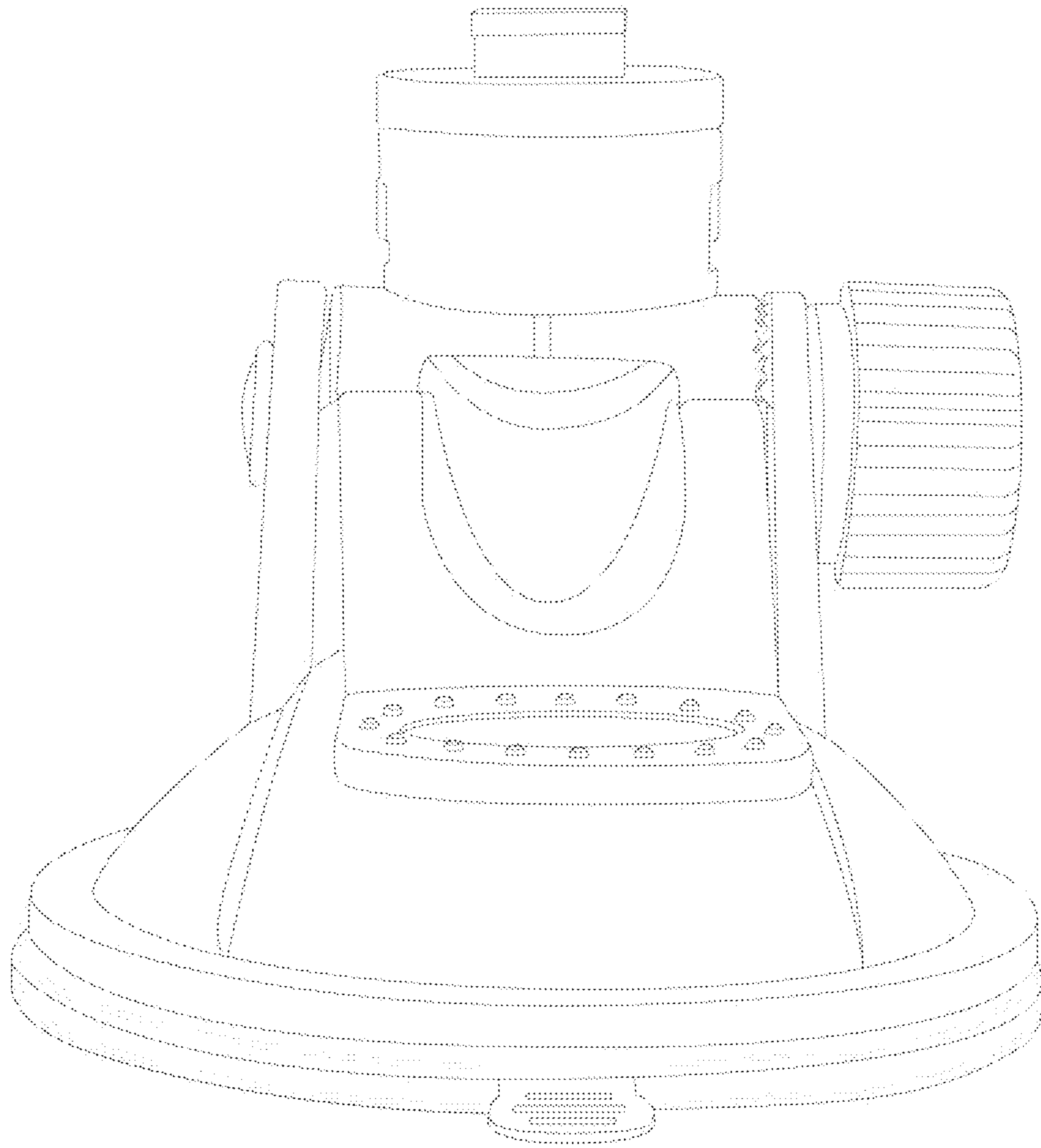


FIG 2

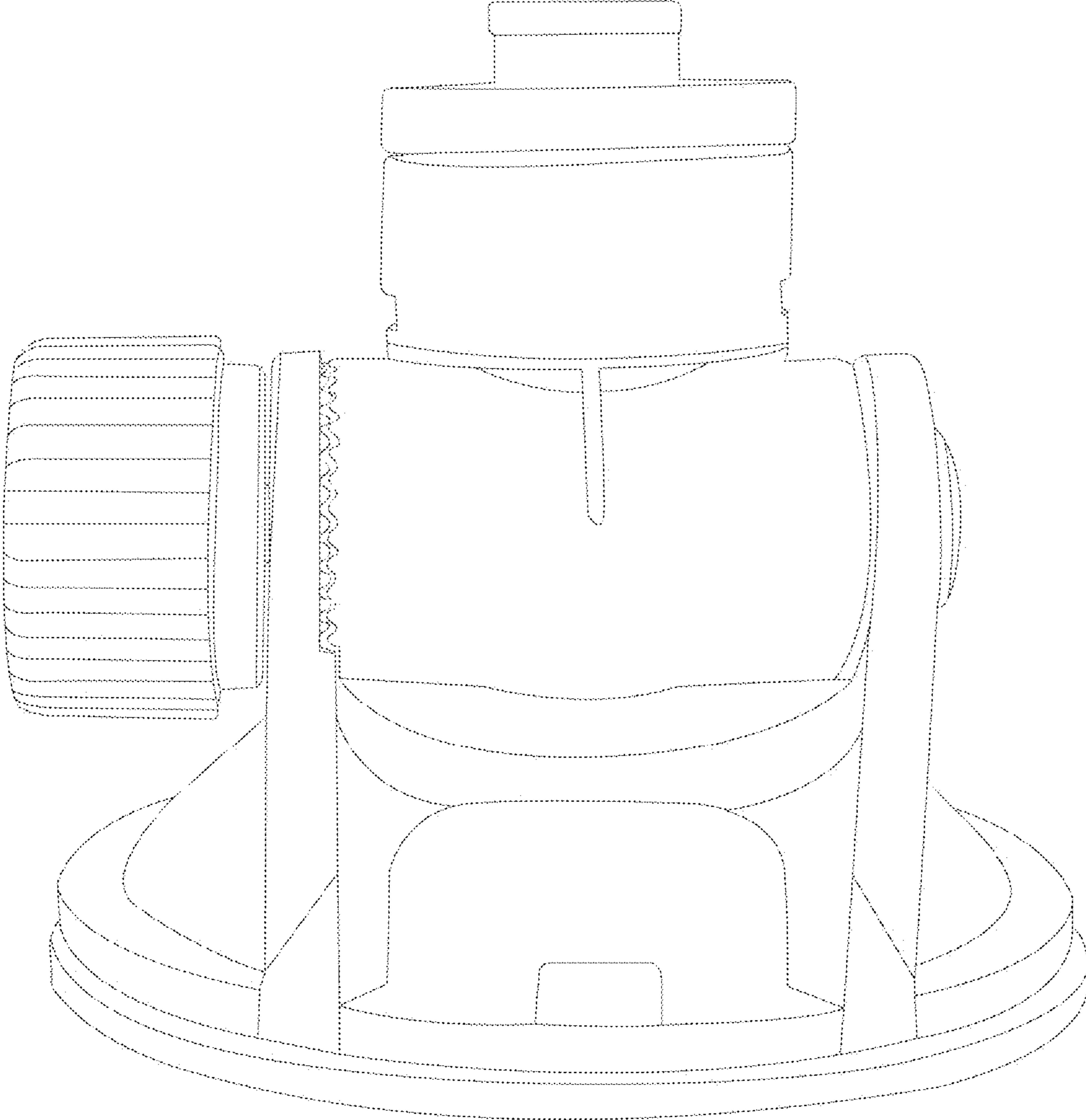


FIG 3

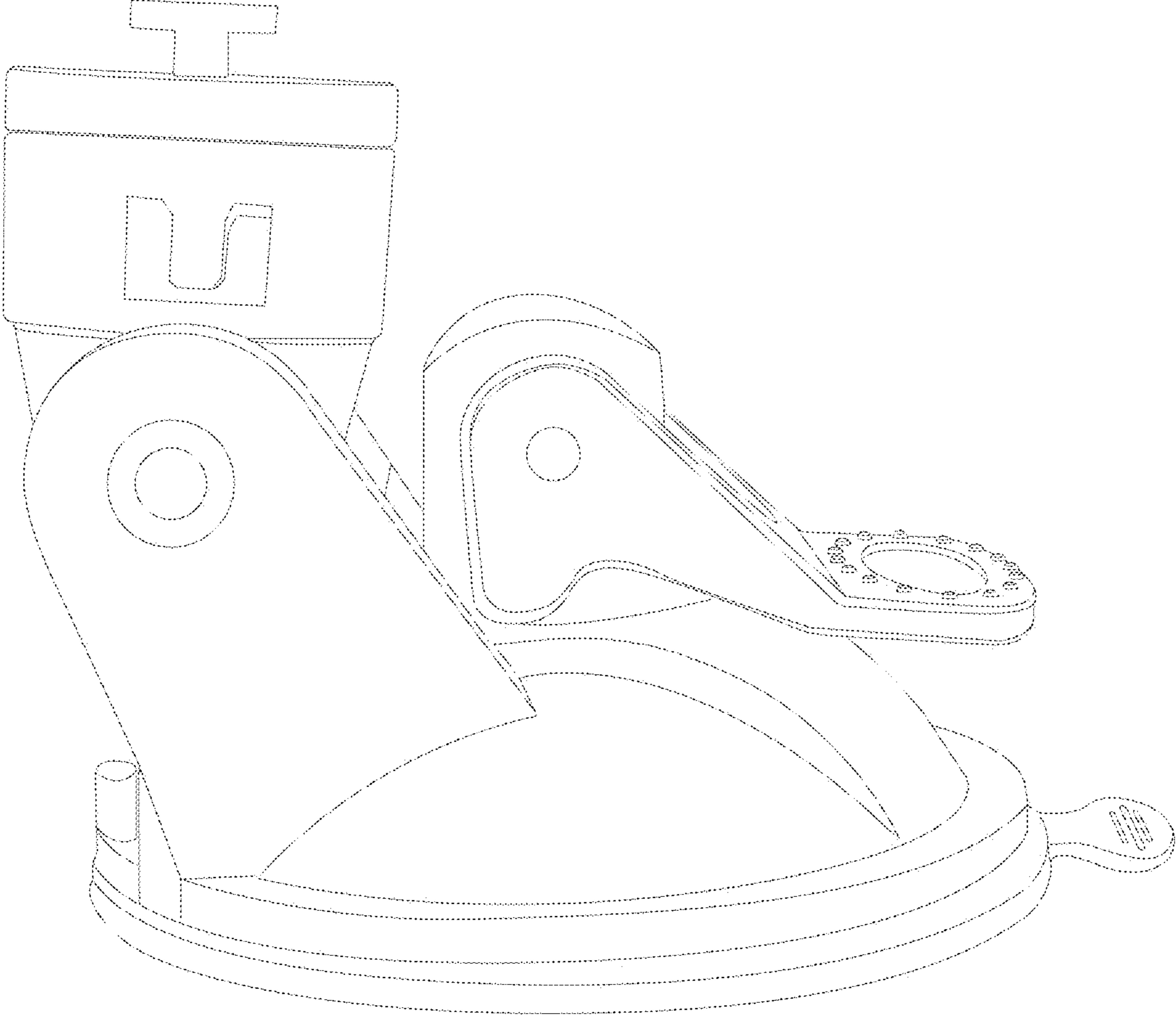


FIG 4

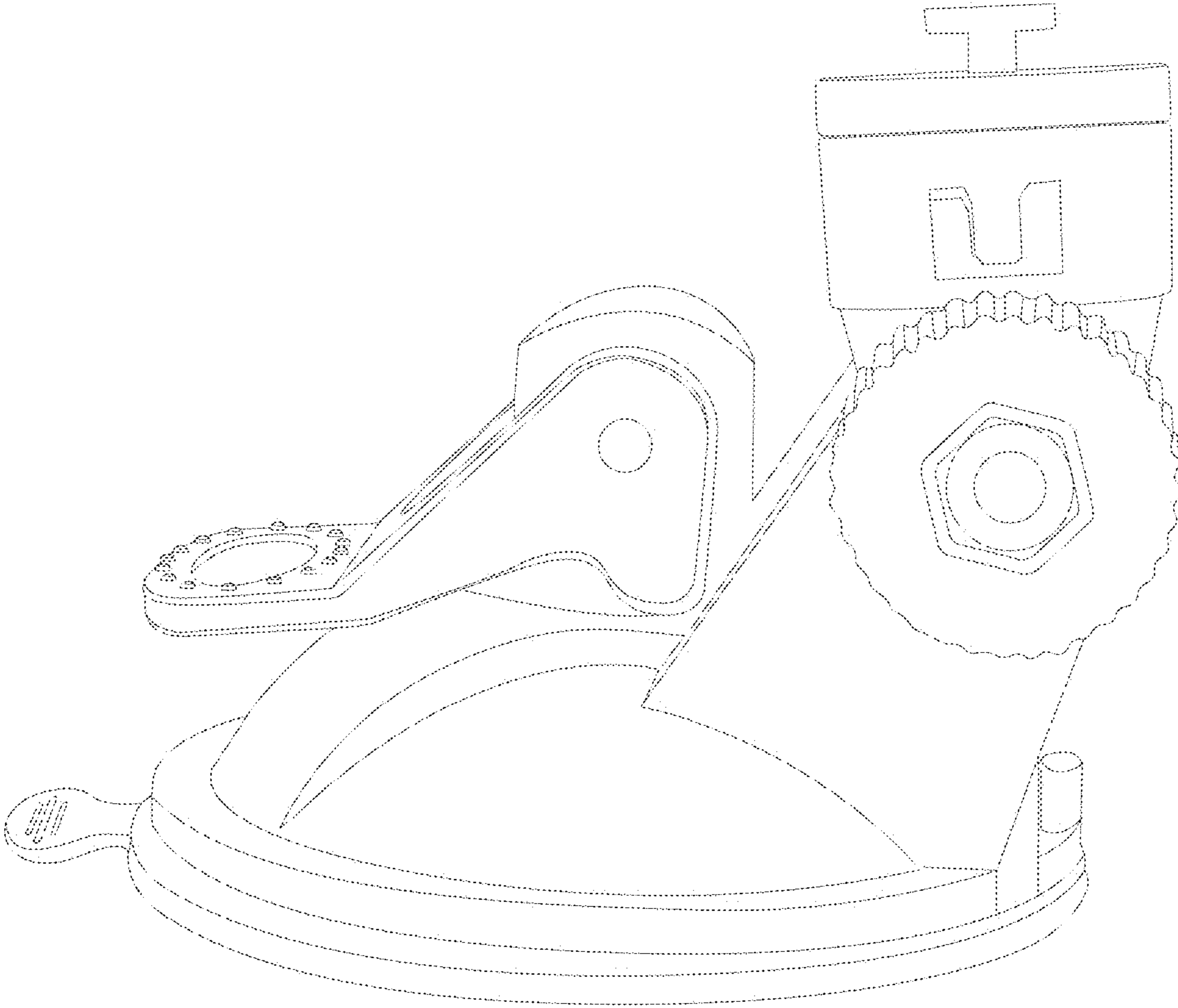


FIG 5

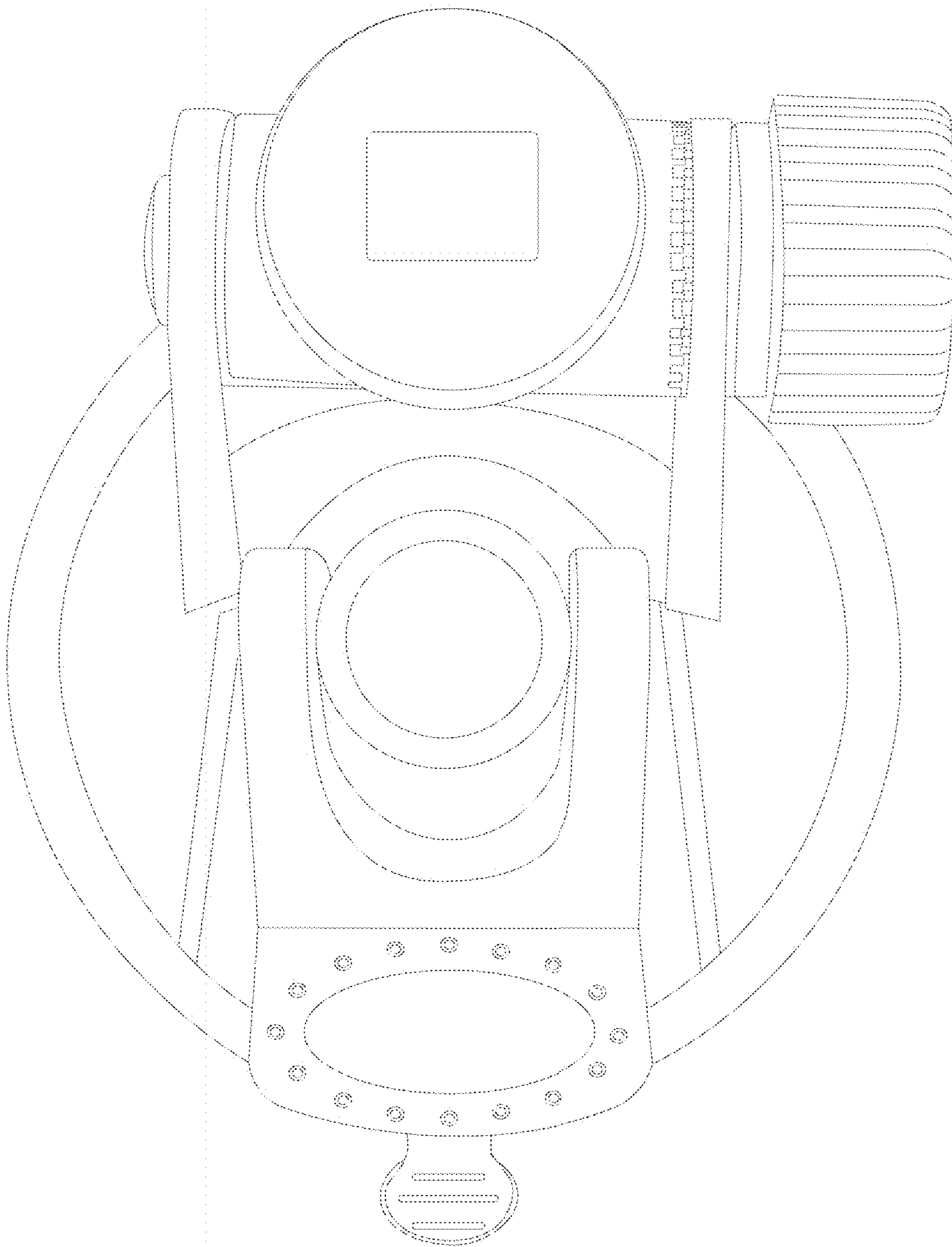


FIG 6

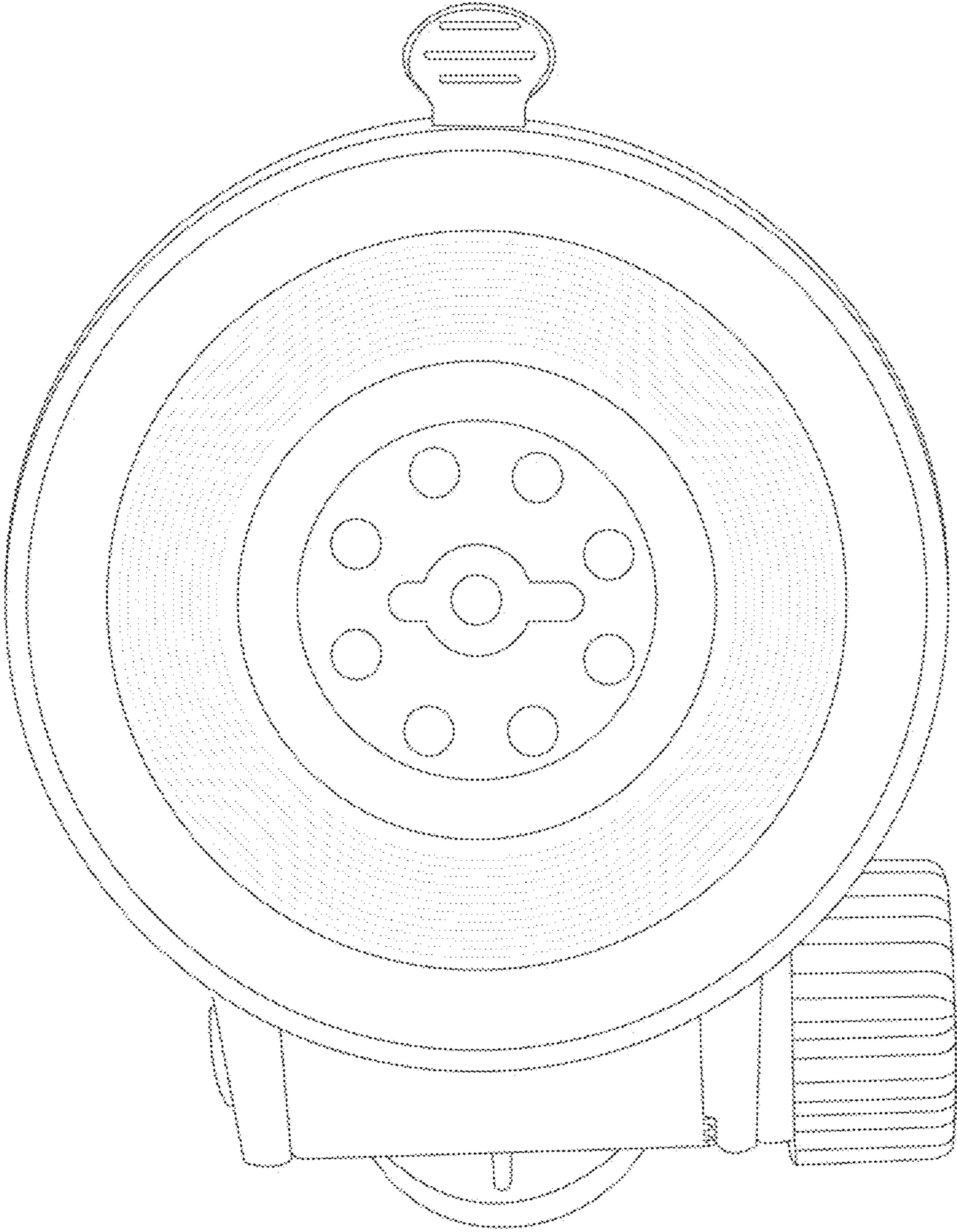


FIG 7