



US00D953406S

(12) **United States Design Patent** (10) **Patent No.:** **US D953,406 S**
Druker et al. (45) **Date of Patent:** **** May 31, 2022**

(54) **CAMERA HOUSING**
(71) Applicant: **GoPro, Inc.**, San Mateo, CA (US)
(72) Inventors: **Joshua T. Druker**, Redwood City, CA (US); **Matthew David Thomas**, Castro Valley, CA (US); **Huy Phuong Nguyen**, Alpine, UT (US); **Bessy Liang**, San Jose, CA (US); **Daniel J. Coster**, Oakura (NZ)
(73) Assignee: **GoPro, Inc.**, San Mateo, CA (US)
(**) Term: **15 Years**
(21) Appl. No.: **29/811,083**
(22) Filed: **Oct. 11, 2021**

D265,829 S 8/1982 Shimoda
4,646,141 A 2/1987 Timmermans
4,763,151 A 8/1988 Klinger
D298,760 S 11/1988 Yoshida
5,092,552 A 3/1992 Dayton
5,325,139 A 6/1994 Matsumoto
D349,126 S 7/1994 Lee
5,353,079 A 10/1994 Sakai
5,576,781 A 11/1996 Deleeuw
5,738,321 A 4/1998 Moriyasu
D441,386 S 5/2001 Yamazaki
D469,338 S 1/2003 Chace
D491,968 S 6/2004 Isshiki
D492,953 S 7/2004 Mitsuse
D499,131 S 11/2004 Tania
D504,904 S 5/2005 Nagai
D515,121 S 2/2006 Bleau
D550,741 S 9/2007 Vernon
D563,486 S 3/2008 Slater
D582,955 S 12/2008 Sekine
7,537,399 B2 5/2009 Mayumi
D594,050 S 6/2009 Hartmut
7,621,680 B2 11/2009 Frick
D616,480 S 5/2010 Ookawa
8,014,656 B2 9/2011 Woodman
D646,313 S 10/2011 Woodman
D647,554 S 10/2011 Yim
D647,935 S 11/2011 Raken
D653,687 S 2/2012 Yu
D657,808 S 4/2012 Woodman
D674,428 S 1/2013 Woodman
D684,569 S 6/2013 Willenborg
8,467,675 B2 6/2013 Chen
D692,507 S 10/2013 Meys
8,544,643 B2 10/2013 Yim
8,596,890 B2 12/2013 Yim
D699,276 S 2/2014 Samuels
D699,277 S 2/2014 Samuels
D702,747 S 4/2014 Woodman
8,718,457 B2 5/2014 Clark
D706,603 S 6/2014 Kokawa
D710,921 S 8/2014 Gioscia
D710,922 S 8/2014 Gioscia
8,794,579 B2 8/2014 Sturman
D722,097 S 2/2015 Kim
D724,637 S 3/2015 Samuels
D724,638 S 3/2015 Samuels
D725,169 S 3/2015 Gioscia
D727,387 S 4/2015 Hasegawa
9,004,783 B1 4/2015 Woodman
D730,423 S 5/2015 Vandebussche
D732,601 S 6/2015 Coyle
D733,787 S 7/2015 Baker

Related U.S. Application Data

(60) Continuation of application No. 29/772,002, filed on Feb. 26, 2021, now Pat. No. Des. 933,115, which is a division of application No. 29/707,664, filed on Sep. 30, 2019, now Pat. No. Des. 912,120.

(51) **LOC (13) Cl.** **16-01**

(52) **U.S. Cl.**
USPC **D16/200**

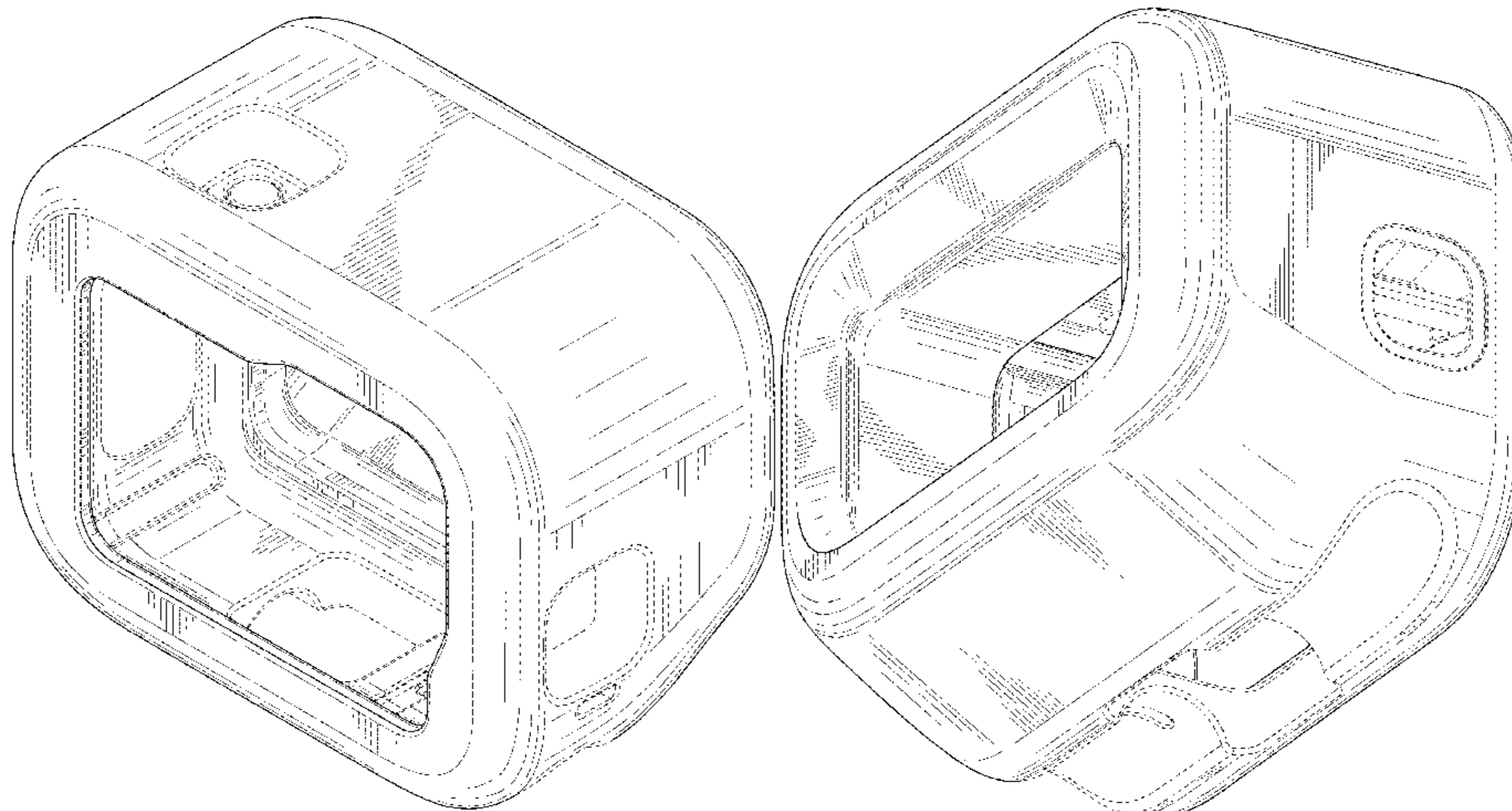
(58) **Field of Classification Search**
USPC D16/200, 202-208, 218, 219, 242;
348/164, 373-376; 396/448, 535,
396/539-541
CPC G03B 17/02; G03B 19/04; G03B 17/56;
G03B 17/04; G03B 15/03; H04N 5/2251;
H04N 5/2252; H04N 5/2253; H04N
5/2254; H04N 7/181; H04N 7/183; H04N
7/18; G08B 13/1963; G08B 13/19619;
G08B 13/19632; F16M 11/04; F16M
13/00

See application file for complete search history.

(56) **References Cited**

U.S. PATENT DOCUMENTS

679,881 A 8/1901 Bullard
1,467,556 A 9/1923 Nagel
1,612,277 A 12/1926 Leo
2,336,104 A 12/1943 Laube
4,341,452 A 7/1982 Korling



US D953,406 S

D733,788 S 7/2015 Baker
 D736,848 S 8/2015 Kim
 D737,647 S 9/2015 Elder
 D739,451 S 9/2015 Gioscia
 D740,876 S 10/2015 Woodman
 D745,589 S 12/2015 Lee
 D749,164 S 2/2016 Racciah
 D750,146 S 2/2016 Costa
 D750,680 S 3/2016 Chen
 D750,687 S 3/2016 Samuels
 D752,671 S 3/2016 Harrison
 D752,672 S 3/2016 Clearman
 9,282,226 B2 3/2016 Samuels
 D754,230 S 4/2016 Mori
 D754,240 S 4/2016 Samuels
 D755,277 S 5/2016 Gerd
 D758,474 S 6/2016 Harrison
 D759,141 S 6/2016 Bacon
 D759,145 S 6/2016 Lee
 D760,309 S 6/2016 Parfitt
 D760,312 S 6/2016 Lee
 9,360,742 B1 6/2016 Harrison
 D762,759 S 8/2016 Wu
 D763,941 S 8/2016 Smith
 D768,228 S 10/2016 Muhlenkamp, IV
 D768,752 S 10/2016 Silver
 D768,754 S 10/2016 Bennett
 D769,346 S 10/2016 Nguyen
 D773,546 S 12/2016 Nguyen
 D776,738 S 1/2017 Clearman
 D776,741 S 1/2017 Parfitt
 D777,239 S 1/2017 Costa
 D783,079 S 4/2017 Lee
 D785,068 S 4/2017 Patsis
 9,635,226 B2 4/2017 Samuels
 D785,696 S 5/2017 Parfitt
 D785,697 S 5/2017 Costa
 D790,000 S 6/2017 Wang
 D790,002 S 6/2017 Nguyen
 D800,815 S 10/2017 Clearman
 D800,819 S 10/2017 Parfitt
 9,816,666 B2 11/2017 Wang
 D806,775 S 1/2018 Nguyen
 D808,163 S 1/2018 Song
 9,880,451 B2 1/2018 Clearman
 9,894,278 B2 2/2018 Wei
 9,894,279 B2 2/2018 Wei
 9,903,533 B2 2/2018 Wei
 D816,751 S 5/2018 Harrison
 D819,117 S 5/2018 Lee
 D827,696 S 9/2018 Crow
 D827,697 S 9/2018 Crow
 10,101,637 B2 10/2018 Peddecord
 D837,861 S 1/2019 Luo
 D840,463 S 2/2019 Nguyen
 D846,620 S 4/2019 Katori
 D848,500 S 5/2019 Miyashita
 D849,084 S 5/2019 Hu
 D850,520 S 6/2019 Voss
 D854,597 S 7/2019 Gao
 D856,391 S 8/2019 Liu
 D861,761 S 10/2019 Bergman
 D867,420 S 11/2019 Zhang
 D868,871 S 12/2019 Nguyen
 D869,539 S 12/2019 Hu
 D871,480 S 12/2019 Hu
 D880,567 S 4/2020 Zhang
 D880,569 S 4/2020 Zhang
 D884,061 S 5/2020 Arens
 D888,792 S 6/2020 Luo
 D890,835 S 7/2020 Nguyen
 D904,498 S 12/2020 Lim
 D907,680 S 1/2021 Nguyen
 D909,450 S * 2/2021 Grant D16/208
 D911,411 S 2/2021 Coster
 D911,412 S 2/2021 Alberstein
 D912,120 S 3/2021 Druker
 D920,419 S 5/2021 Muhlenkamp, IV
 D921,084 S 6/2021 Muhlenkamp, IV

D924,297 S 7/2021 Imai
 D926,853 S * 8/2021 Wei D16/200
 D929,489 S 8/2021 Coster
 D933,115 S 10/2021 Druker
 D935,506 S 11/2021 Tan
 2002/0046218 A1 4/2002 Gilbert
 2007/0071423 A1 3/2007 Fantone
 2008/0152337 A1 6/2008 Gartner
 2011/0317065 A1 12/2011 Lin
 2014/0185853 A1 7/2014 Aihara
 2014/0198932 A1 7/2014 Parkins
 2014/0226055 A1 8/2014 Schmidt
 2015/0168815 A1 6/2015 Chen
 2015/0316835 A1 11/2015 Scott
 2015/0326748 A1 11/2015 Tisch
 2016/0004142 A1 1/2016 Zhang
 2016/0100083 A1 4/2016 Harrison
 2016/0229556 A1 8/2016 Zhou
 2016/0246162 A1 8/2016 Niemeyer
 2017/0059967 A1 3/2017 Harrison
 2017/0192341 A1 7/2017 Casarez
 2019/0079373 A1 3/2019 Wang
 2019/0161208 A1 5/2019 Sun

FOREIGN PATENT DOCUMENTS

CN	302944108	5/2014
CN	303933789	6/2016
GB	4034453	3/2014

OTHER PUBLICATIONS

Action Video Suction Cup. [online] Published date Oct. 23, 2014. Retrieved on Nov. 2, 2016 from <URL: <https://www.amazon.com/Suction-Locking-JOBY-Easy-Anti-Vibration-Cameras/dp/B0008R7A72/ref=pdsim_421_2?encoding=UTF8&pd_rd_i=B0008R7A72&pd_rd_r=AGCVZH2ZHQKHT5BBX2GZ&pdrd_w=7Jkpc&pdrd_wg=OMkYF&pdc=1&refRID=AGCVZH2ZHQKHT5BBX2GZ>. (9 pages).

Google Express IGoPro Karma Harness for HERO4 Black/Silver Camera—AGFHA-001 , first reviewed on Mar. 17, 2017, © 2018 Google [online], [site visited Mar. 16, 2018]. Available from Internet, <URL: <https://goo.gl/hugSGv/>> 1 page.

GoPro i Shop i Mounts & Accessories, posted on Nov. 16, 2017, © 2018 GoPro, Inc. [online], [site visited Mar. 16, 2018]. Available from Internet, <URL: <https://shop.gopro.com/mounts-accessories/>> (13 Pgs).

GoPro The Frame for HERO5 Black, [online] Published date unknown. Retrieved on Oct. 26, 2016 from <URL: <https://www.bhphotovideo.com/c/product/1274422-REG/gopro.sub.--aafrm.sub.--001.sub.--frame.sub.--for.sub.--hero5.html>>. 3 pages.

GoPro, “Karma Stabilizer,” Date Unknown, two pages. [Online] [Retrieved Nov. 2, 2016] Retrieved from the internet <<http://shop.gopro.com/accessories-2/karma-stabilizer/AGMBL-001.html>>. (2 pages).

Linxv i Action Camera Accessories i Action Camera Strap, posted on Jun. 4, 2016, © 2012 Avada [online], [site visited Mar. 16, 2018], Available from Internet, <URL: <http://www.linxv.com/action-camera-accessories/action-camera-strap/>> (4 Pgs).

Silicon Sleeve Cases for the Frame of Your Gopro Hero 5 , retrieved from URL: <https://www.amazon.com/Silicone-Sleeve-Cases-Frame-Gopro/dp/B01NCQ3GOY>, retrieved Mar. 30, 2018 (6 pages).

Silicon Sleeve for GoPro Her04 Housing—Gocase, retrieved from URL: <https://www.gocase.com/products/silicon-sleeve-for-gopro-hero4-housing>, retrieved Mar. 30, 2018 (2 pages).

Silicone Sleeve Cases for The Frame of your Gopro Hero 5 (1x Frame / 1x Camera Case, Blue + Black), URL: https://www.amazon.com/dp/B01MR00OPJ/ref=asc_df_B01MR00OPJ5357481/?tag=hyprod-20&creative=395033&creativeASIN=B01MR00OPJ&linkCode=df0&hvadid=167139098072&hvpos=1o1&hvnetw=g&hvrnd=8248390090609077295&hvpone=&hvptwo=&hvqmt=&hvdev=c&hvdvcmdl=&hvlocint=&hvlocphy=1014237&hvtargid=pla-332273337114, retrieved Mar. 30, 2018 (6 pages).

Suction Cup & Locking Arm. Online, published date unknown. Retrieved on Jan. 11, 2018 from URL: <https://joby.com/suction-cup-with-locking-arm> (1 page).

The Frame, [online] Published date unknown. Retrieved on Oct. 24, 2016 from <URL: <http://shop.gopro.com/accessories-2/the-frame/ANDFR-302.html>>. 3 pages.

United States Office Action, U.S. Appl. No. 29/548,666, dated Nov. 17, 2016, 8 pages.

* cited by examiner

Primary Examiner — Ramzi Almatrahi

(74) *Attorney, Agent, or Firm* — Young Basile Hanlon & MacFarlane, P.C.

(57) **CLAIM**

The ornamental design for a camera housing, as shown and described.

DESCRIPTION

FIG. 1 is a top, front, and right side perspective view of a camera housing showing our new design;

FIG. 2 is a bottom, rear, and left side perspective view thereof;

FIG. 3 is a front elevation view thereof;

FIG. 4 is a rear elevation view thereof;

FIG. 5 is right side elevation view thereof;

FIG. 6 is a left side elevation view thereof;

FIG. 7 is a top plan view thereof; and,

FIG. 8 is a bottom plan view thereof.

The broken lines depict portions of the camera housing that form no part of the claimed design.

1 Claim, 8 Drawing Sheets

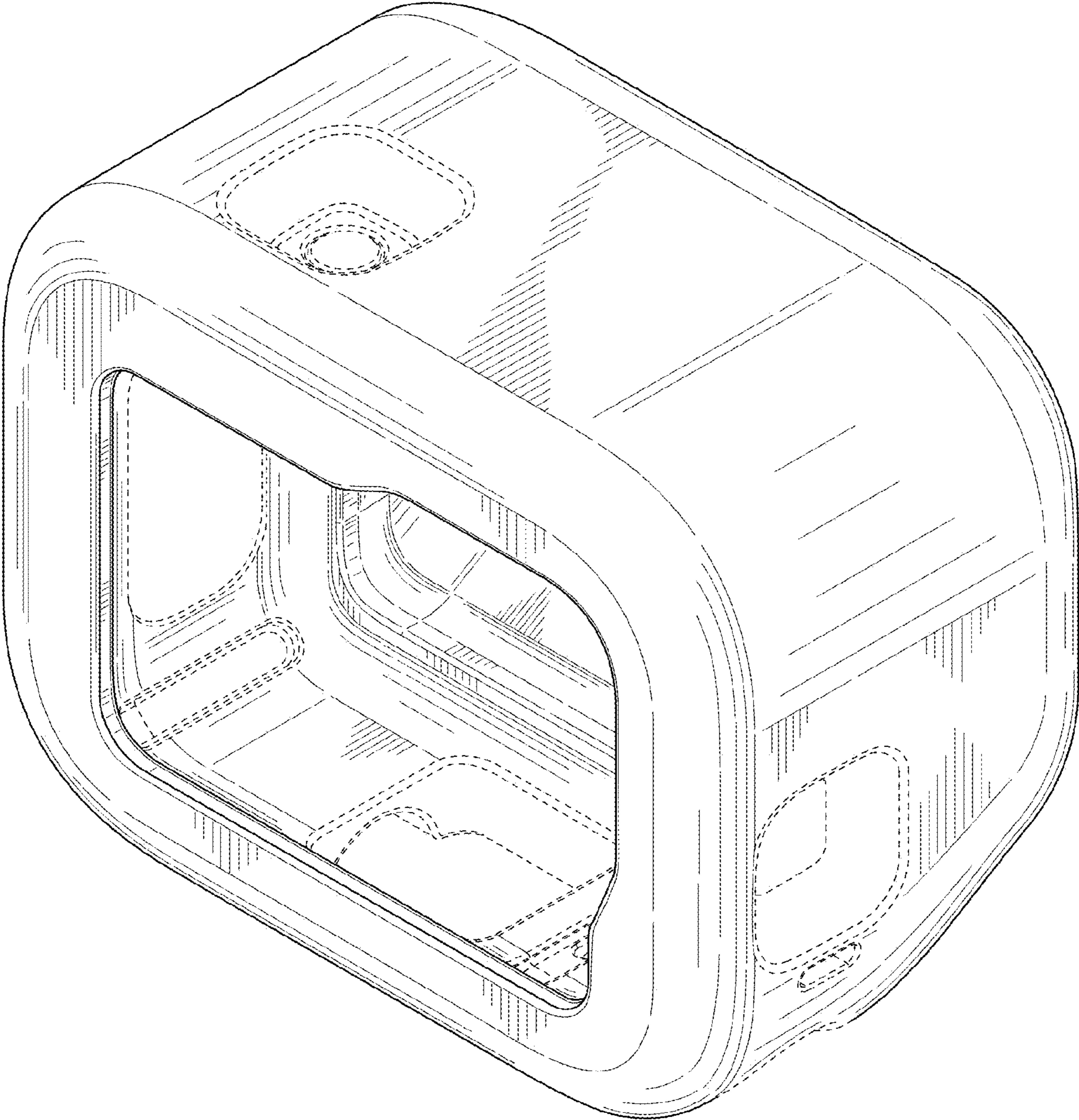


FIG. 1

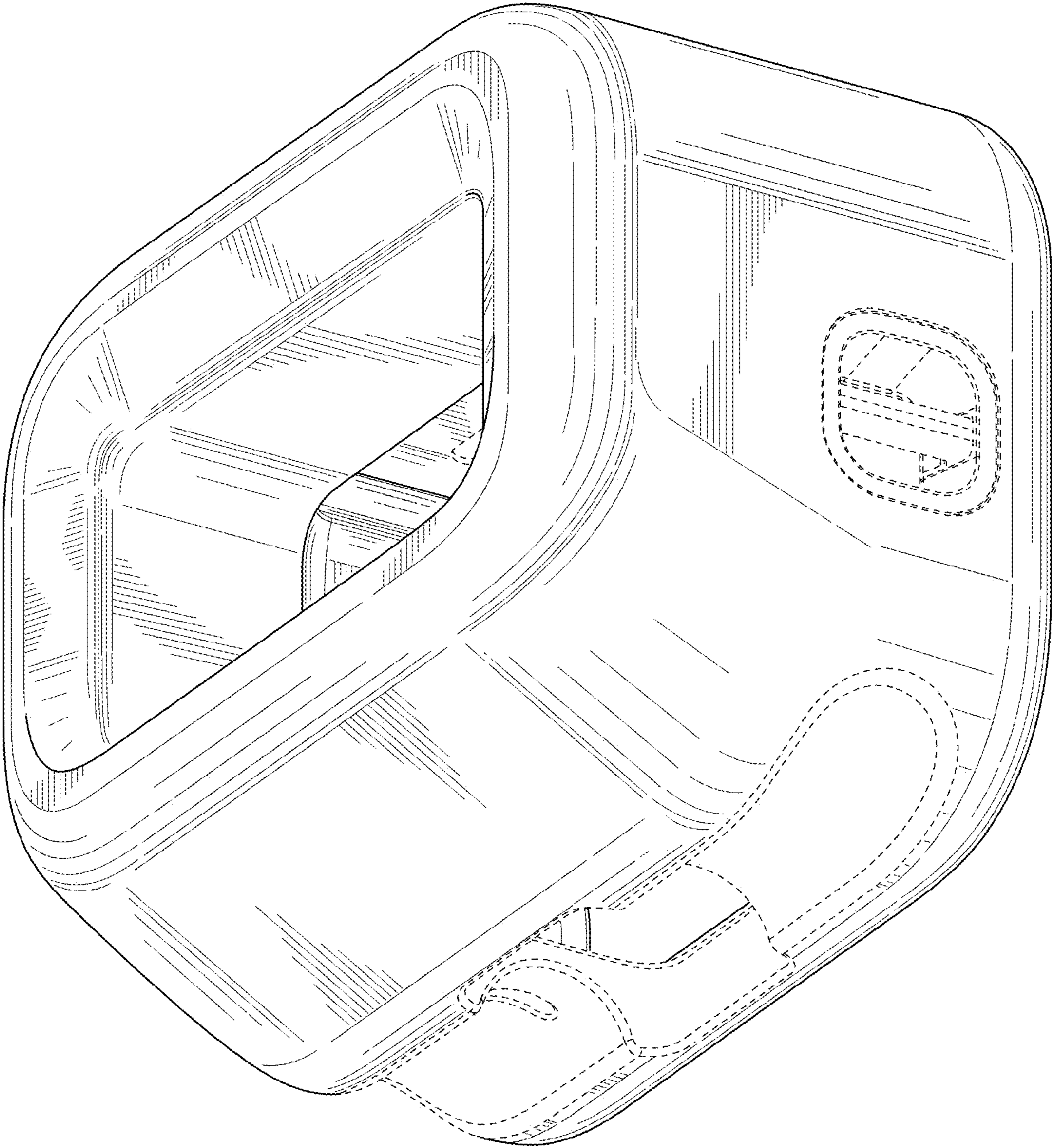


FIG. 2

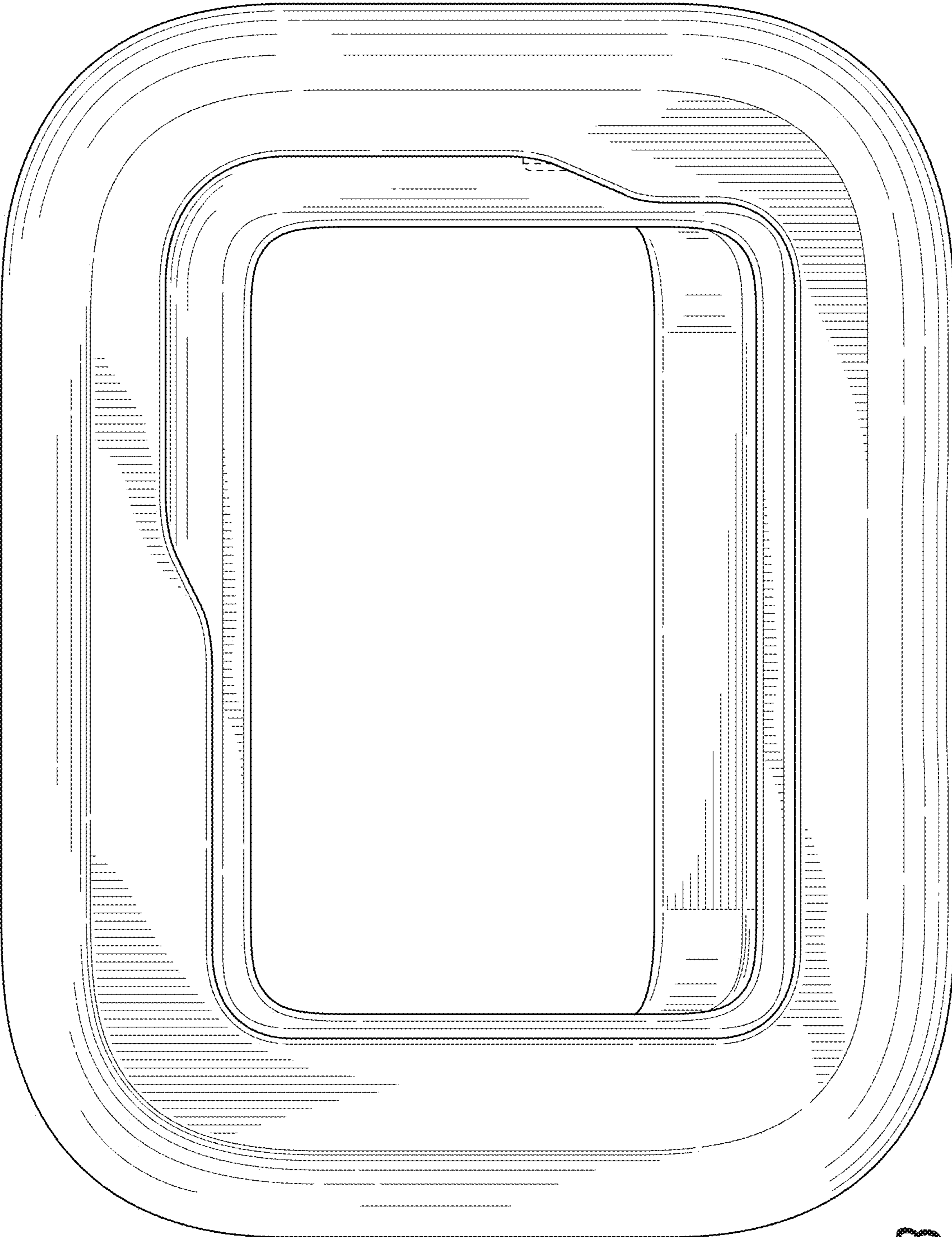


FIG. 3

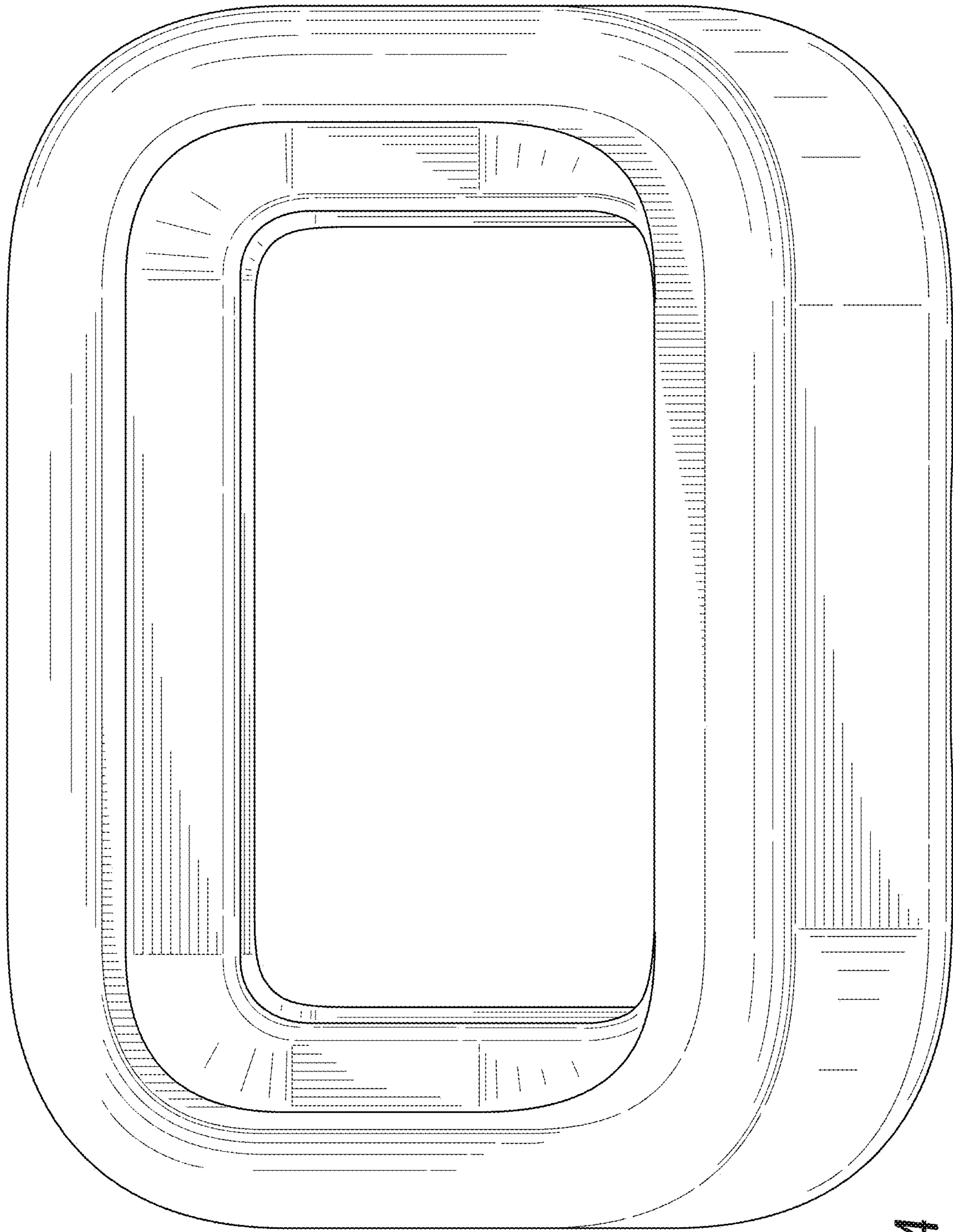


FIG. 4

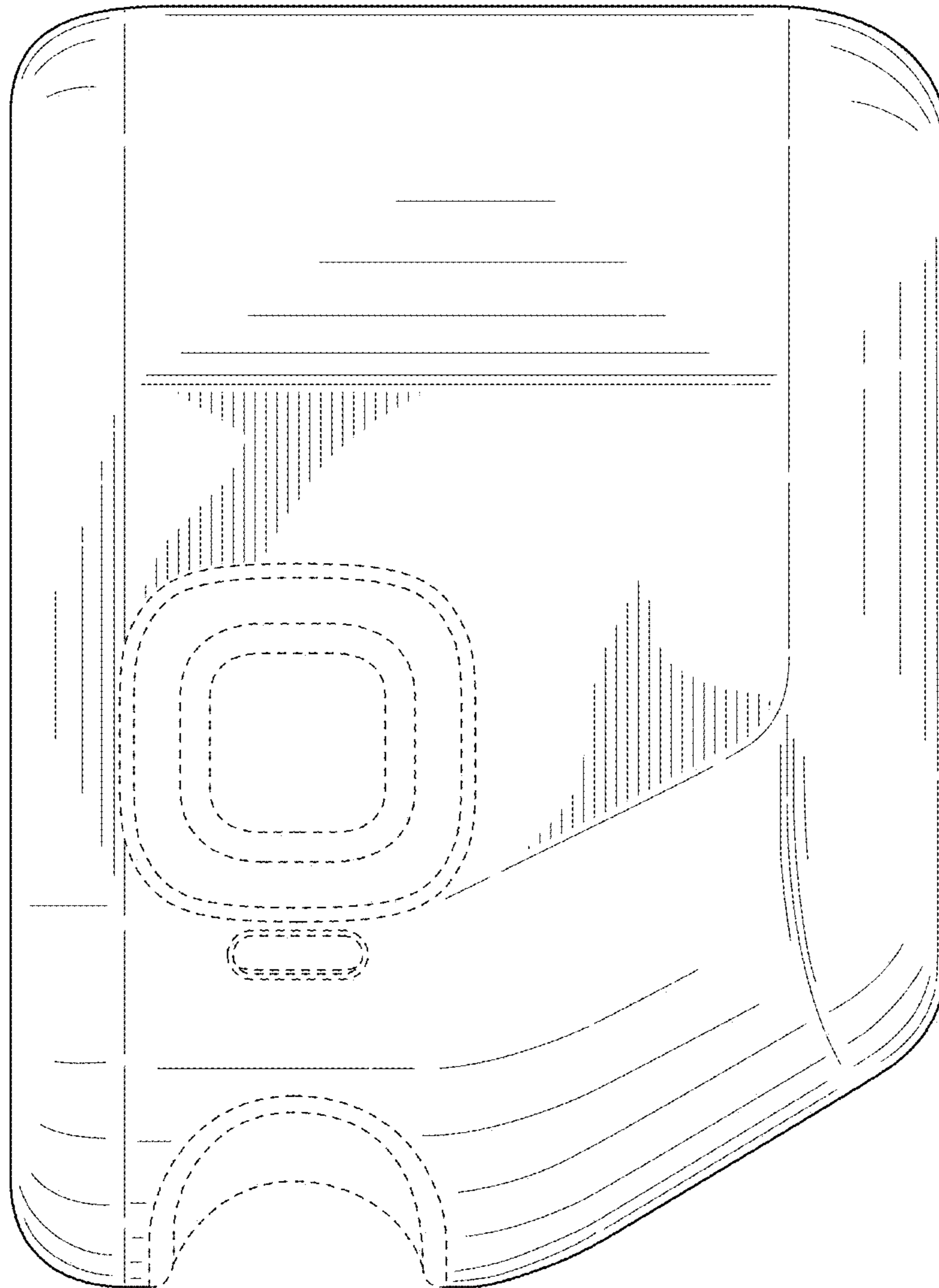


FIG. 5

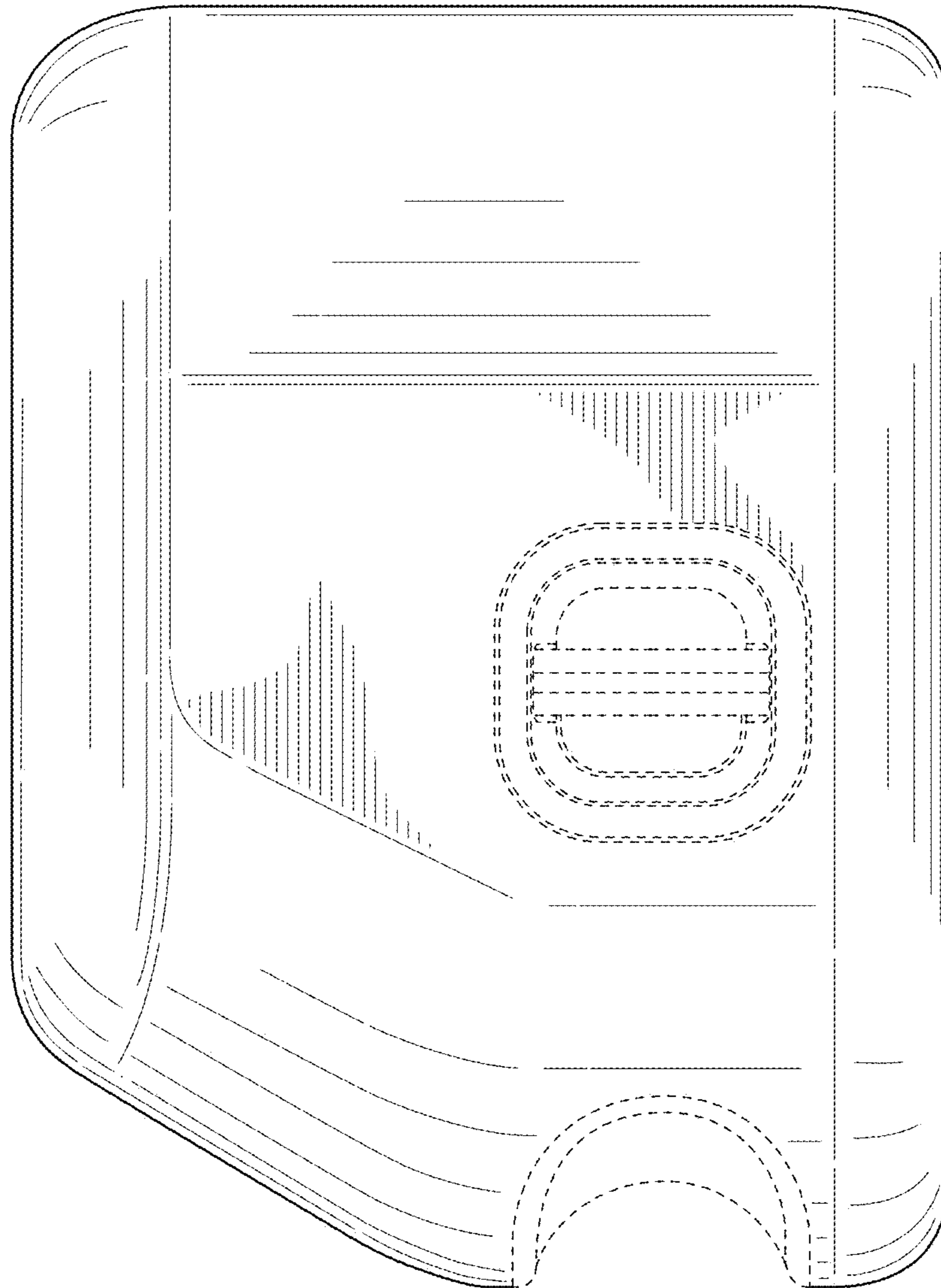


FIG. 6

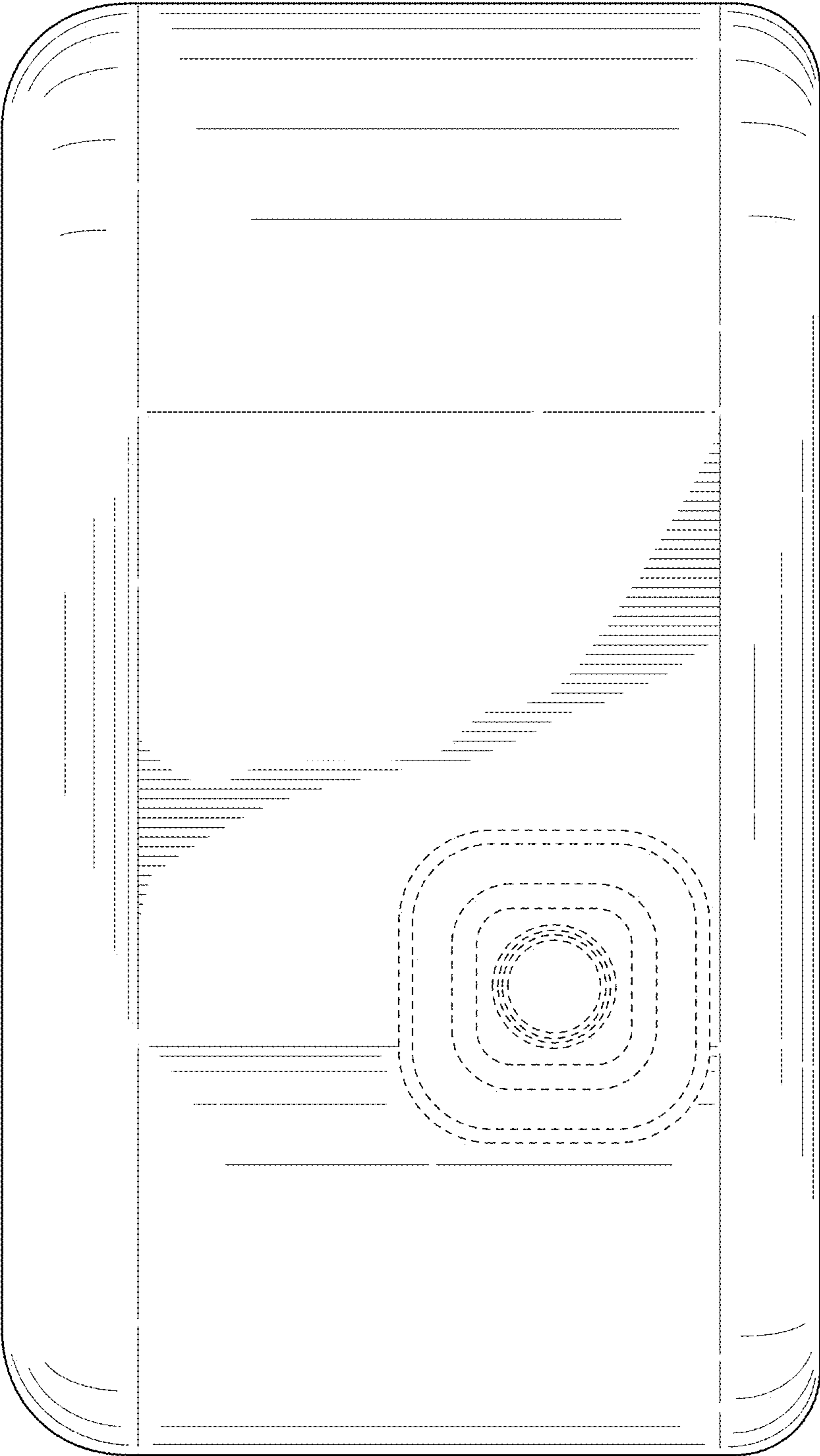


FIG. 7

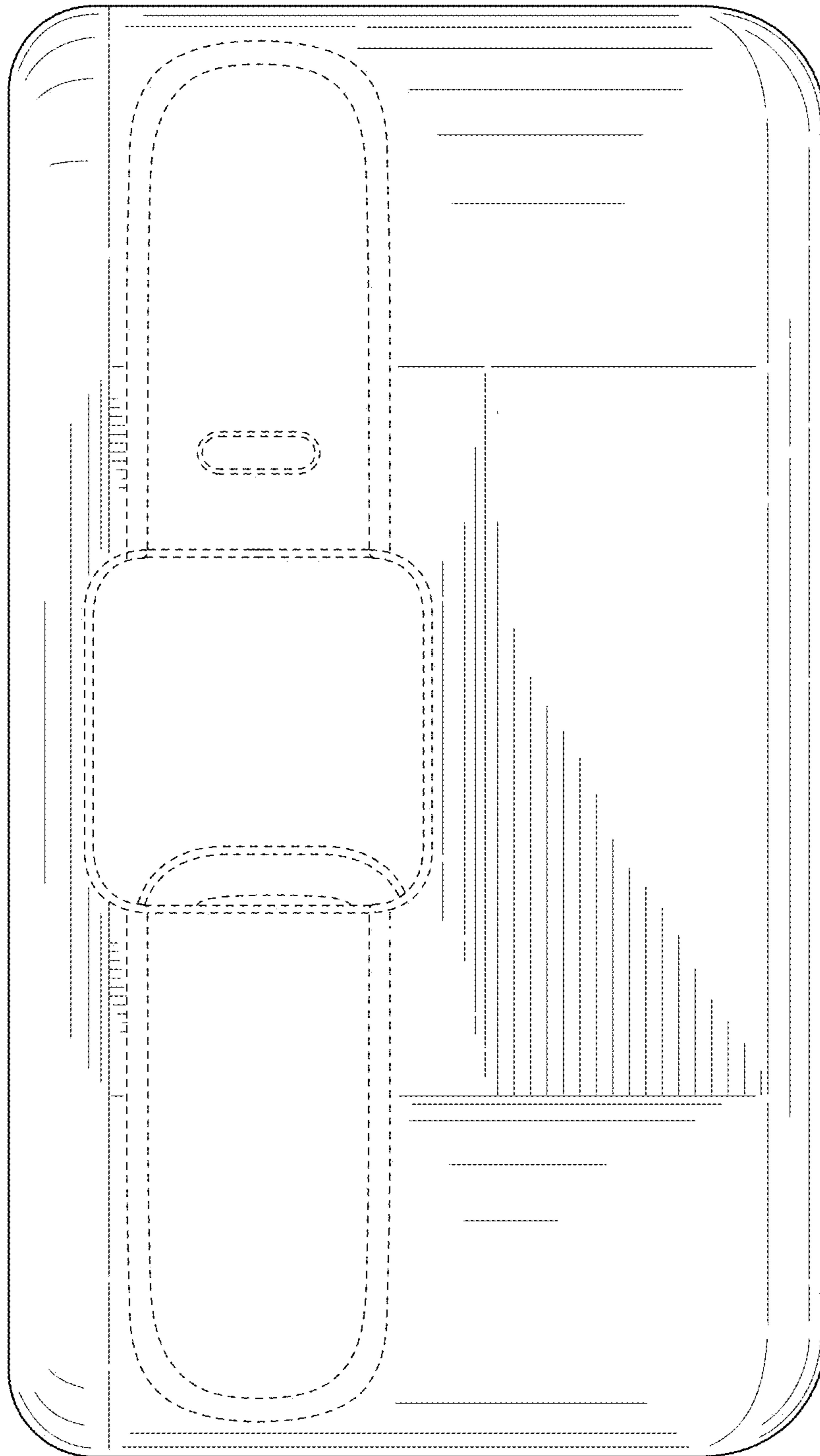


FIG. 8