



US00D953404S

(12) **United States Design Patent**
Au et al.

(10) **Patent No.:** **US D953,404 S**

(45) **Date of Patent:** **** May 31, 2022**

(54) **CAMERA HOUSING**

(71) Applicant: **GoPro, Inc.**, San Mateo, CA (US)

(72) Inventors: **Heman Au**, San Mateo, CA (US); **John George Muhlenkamp, IV**, Brisbane, CA (US); **Huy Phuong Nguyen**, San Mateo, CA (US); **Zhijun Guo**, Shenzhen (CN)

(73) Assignee: **GoPro, Inc.**, San Mateo, CA (US)

(**) Term: **15 Years**

(21) Appl. No.: **29/746,616**

(22) Filed: **Aug. 14, 2020**

(51) **LOC (13) Cl.** **16-01**

(52) **U.S. Cl.**
USPC **D16/200**

(58) **Field of Classification Search**
USPC D16/200, 202–208, 218, 219, 242;
348/164, 373–376; 396/448, 535,
396/539–541
CPC G03B 17/02; G03B 19/04; G03B 17/56;
G03B 17/04; G03B 15/03; H04N 5/2251;
H04N 5/2252; H04N 5/2253; H04N
5/2254; H04N 7/181; H04N 7/183; H04N
7/18; G08B 13/1963; G08B 13/19619;
G08B 13/19632; F16M 11/04; F16M
13/00

See application file for complete search history.

(56) **References Cited**

U.S. PATENT DOCUMENTS

679,881 A	8/1901	Bullard
1,467,556 A	9/1923	Nagel
1,612,277 A	12/1926	Leo
2,336,104 A	12/1943	Laube
4,341,452 A	7/1982	Korling
D265,829 S	8/1982	Shimoda
4,646,141 A	2/1987	Timmermans

4,763,151 A	8/1988	Klinger
D298,760 S	11/1988	Yoshida
5,092,552 A	3/1992	Dayton
5,325,139 A	6/1994	Matsumoto
D349,126 S	7/1994	Lee
5,353,079 A	10/1994	Sakai
5,576,781 A	11/1996	Deleeuw
5,738,321 A	4/1998	Moriyasu

(Continued)

FOREIGN PATENT DOCUMENTS

CN	302944108	5/2014
CN	303933789	6/2016
GB	4034453	3/2014

OTHER PUBLICATIONS

Silicon Sleeve Cases for the Frame of Your Gopro Hero 5 , retrieved from URL: <https://www.amazon.com/Silicone-Sleeve-Cases-Frame-Gopro/dp/B01NCQ3GOY>, retrieved Mar. 30, 2018 (6 pages).

(Continued)

Primary Examiner — Ramzi Almatrahi

(74) *Attorney, Agent, or Firm* — Young Basile Hanlon & MacFarlane, P.C.

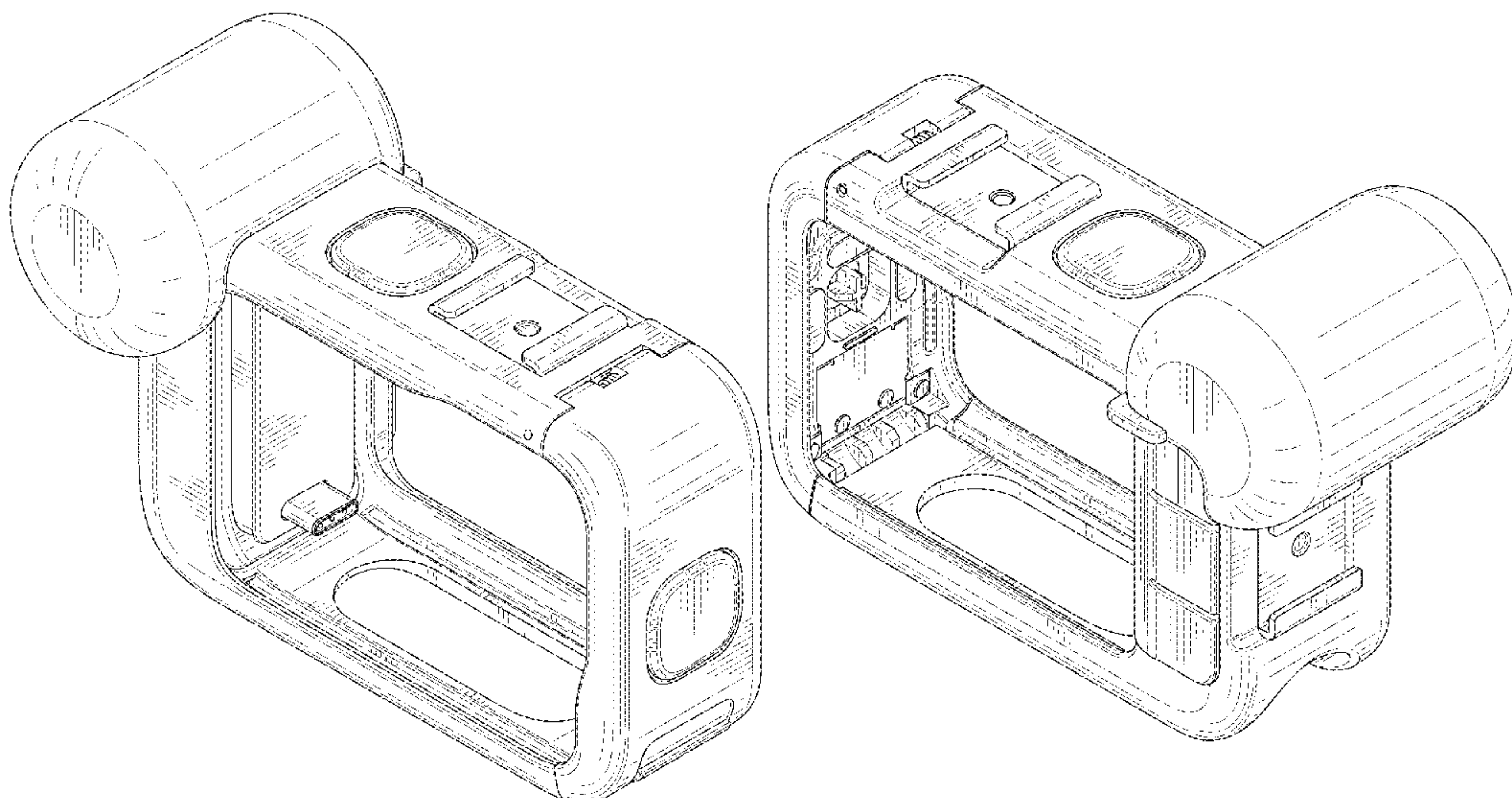
(57) **CLAIM**

The ornamental design for a camera housing, as shown and described.

DESCRIPTION

FIG. 1 is a top, front and right perspective view of a camera housing showing our new design;
FIG. 2 is a top, rear and left perspective view thereof;
FIG. 3 is a front view thereof;
FIG. 4 is a rear view thereof;
FIG. 5 is a right view thereof;
FIG. 6 is a left view thereof;
FIG. 7 is a top view thereof; and,
FIG. 8 is a bottom view thereof.

1 Claim, 8 Drawing Sheets



(56)

References Cited

U.S. PATENT DOCUMENTS

D441,386 S 5/2001 Yamazaki
 6,347,893 B1 2/2002 Shiono
 D469,338 S 1/2003 Chace
 D491,968 S 6/2004 Isshiki
 D492,953 S 7/2004 Mitsuse
 D499,131 S 11/2004 Tania
 D504,904 S 5/2005 Nagai
 D515,121 S 2/2006 Bleau
 D550,741 S 9/2007 Vernon
 D563,486 S 3/2008 Slater
 D582,955 S 12/2008 Sekine
 7,537,399 B2 5/2009 Mayumi
 D594,050 S 6/2009 Grtner
 7,621,680 B2 11/2009 Frick
 D616,480 S 5/2010 Ookawa
 8,014,656 B2 9/2011 Woodman
 D646,313 S 10/2011 Woodman
 D647,554 S 10/2011 Yim
 D647,935 S 11/2011 Raken
 D653,687 S 2/2012 Yu
 D657,808 S 4/2012 Woodman
 D674,428 S 1/2013 Woodman
 D684,569 S 6/2013 Willenborg
 8,467,675 B2 6/2013 Chen
 D692,507 S 10/2013 Meys
 8,544,643 B2 10/2013 Yim
 8,596,890 B2 12/2013 Yim
 D699,276 S 2/2014 Samuels
 D699,277 S 2/2014 Samuels
 D702,747 S 4/2014 Woodman
 8,718,457 B2 5/2014 Clark
 D706,603 S 6/2014 Kokawa
 D710,921 S 8/2014 Gioscia
 D710,922 S 8/2014 Gioscia
 8,794,579 B2 8/2014 Sturman
 D724,637 S 3/2015 Samuels
 D724,638 S 3/2015 Samuels
 D725,169 S 3/2015 Gioscia
 D727,387 S 4/2015 Hasegawa
 9,004,783 B1 4/2015 Woodman
 D730,423 S 5/2015 Vandenbussche
 D732,601 S 6/2015 Coyle
 D737,647 S 9/2015 Elder
 D739,451 S 9/2015 Gioscia
 D740,876 S 10/2015 Woodman
 D745,589 S 12/2015 Lee
 D749,164 S 2/2016 Raccach
 D750,146 S 2/2016 Costa
 D750,680 S 3/2016 Chen
 D750,687 S 3/2016 Samuels
 D752,671 S 3/2016 Harrison
 D752,672 S 3/2016 Clearman
 9,282,226 B2 3/2016 Samuels
 D754,230 S 4/2016 Mori
 D755,277 S 5/2016 Shnholz
 D758,474 S 6/2016 Harrison
 D759,141 S 6/2016 Bacon
 D759,145 S 6/2016 Lee
 D760,309 S 6/2016 Parfitt
 D760,312 S 6/2016 Lee
 9,360,742 B1 6/2016 Harrison
 D762,759 S 8/2016 Wu
 D763,941 S 8/2016 Smith
 D768,228 S 10/2016 Muhlenkamp, IV
 D768,752 S 10/2016 Silver
 D768,754 S 10/2016 Bennett
 D769,346 S 10/2016 Nguyen
 D773,546 S 12/2016 Nguyen
 D776,738 S 1/2017 Clearman
 D776,741 S 1/2017 Parfitt
 D777,239 S * 1/2017 Costa D16/242
 D783,079 S 4/2017 Lee
 D785,068 S 4/2017 Patsis
 9,635,226 B2 4/2017 Samuels
 D785,696 S 5/2017 Parfitt

D785,697 S 5/2017 Costa
 D790,000 S 6/2017 Wang
 D790,002 S 6/2017 Nguyen
 D800,815 S 10/2017 Clearman
 9,816,666 B2 11/2017 Wang
 D806,775 S 1/2018 Nguyen
 D808,163 S * 1/2018 Song D3/269
 9,880,451 B2 1/2018 Clearman
 9,894,278 B2 2/2018 Wei
 9,894,279 B2 2/2018 Wei
 9,903,533 B2 2/2018 Wei
 D816,751 S 5/2018 Harrison
 D819,117 S 5/2018 Lee
 D827,696 S 9/2018 Crow
 D827,697 S 9/2018 Crow
 10,101,637 B2 10/2018 Peddecord
 D837,861 S * 1/2019 Luo D16/200
 D846,620 S 4/2019 Katori
 D848,500 S * 5/2019 Miyashita D16/200
 D849,084 S 5/2019 Hu
 D850,520 S 6/2019 Voss
 D861,761 S 10/2019 Bergman
 D868,871 S * 12/2019 Nguyen D16/218
 D880,567 S 4/2020 Zhang
 D880,569 S 4/2020 Zhang
 D890,835 S 7/2020 Nguyen
 D904,498 S 12/2020 Lim
 D907,680 S * 1/2021 Nguyen D16/202
 D908,778 S 1/2021 Xu
 D909,450 S 2/2021 Grant
 D911,411 S 2/2021 Coster
 D911,412 S 2/2021 Alberstein
 D912,120 S 3/2021 Druker
 D921,084 S 6/2021 Muhlenkamp, IV
 D924,297 S * 7/2021 Imai D16/202
 D926,853 S 8/2021 Wei
 D929,489 S 8/2021 Coster
 D933,115 S 10/2021 Druker
 D934,945 S 11/2021 Wu
 D939,608 S 12/2021 Han
 2002/0046218 A1 4/2002 Gilbert
 2007/0071423 A1 3/2007 Fantone
 2008/0152337 A1 6/2008 Gartner
 2011/0317065 A1 12/2011 Lin
 2014/0185853 A1 7/2014 Aihara
 2014/0198932 A1 7/2014 Parkins
 2014/0226055 A1 8/2014 Schmidt
 2015/0168815 A1 6/2015 Chen
 2015/0316835 A1 11/2015 Scott
 2015/0326748 A1 11/2015 Tisch
 2016/0004142 A1 1/2016 Zhang
 2016/0100083 A1 4/2016 Harrison
 2016/0229556 A1 8/2016 Zhou
 2016/0246162 A1 8/2016 Niemeyer
 2017/0059967 A1 3/2017 Harrison
 2017/0192341 A1 7/2017 Casarez
 2019/0079373 A1 3/2019 Wang
 2019/0161208 A1 5/2019 Sun

OTHER PUBLICATIONS

Silicon Sleeve for GoPro Her04 Housing—GOcase, retrieved from URL: <https://www.gocase.com/products/silicon-sleeve-for-gopro-hero4-housing>, retrieved Mar. 30, 2018 (2 pages).
 Silicone Sleeve Cases for The Frame of your Gopro Hero 5 (1x Frame / 1x Camera Case, Blue + Black), URL: https://www.amazon.com/dp/B01MR00OPJ/ref=asc_df_B01MR00OPJ5357481/?tag=hyprod-20&creative=395033&creativeASIN=B01MR00OPJ&linkCode=df0&hvadid=167139098072&hvpos=1o1&hvnetw=g&hvrnd=8248390090609077295&hvpone=&hvptwo=&hvqmt=&hvdev=c&hvdvcmdl=&hvlocint=&hvlocphy=1014237&hvtargid=pla-332273337114, retrieved Mar. 30, 2018 (6 pages).
 Action Video Suction Cup. [online] Published date Oct. 23, 2014. Retrieved on Nov. 2, 2016 from <URL: https://www.amazon.com/Suction-Locking-JOBY-Easy-Anti-Vibration-Cameras/dp/B0008R7A72/ref=pdsim_421_2?encoding=UTF8&pd_rd_i=B0008R7A72&pd_rd_r=AGCVZH2ZHQKHT5BBX2GZ&pd_rd_

(56)

References Cited

OTHER PUBLICATIONS

w=7Jkpc&pdrd_wg=OMkYF&psc=1&refRID=AGCVZH2ZHQKHT5BBX2GZ>. (9 pages).

GoPro The Frame for HERO5 Black. [online] Published date unknown. Retrieved on Oct. 26, 2016 from <URL: <https://www.bhphotovideo.com/c/product/1274422-REG/gopro.sub.--aafrm.sub.--001.sub.--frame.sub.--for.sub.--hero5.html>>. 3 pages.

The Frame. [online] Published date unknown. Retrieved on Oct. 24, 2016 from <URL: <http://shop.gopro.com/accessories-2/the-frame/ANDFR-302.html>>. 3 pages.

GOPRO, "Karma Stabilizer," Date Unknown, two pages. [Online] [Retrieved Nov. 2, 2016] Retrieved from the internet <<http://shop.gopro.com/accessories-2/karma-stabilizer/AGMBL-001.html>>. (2 pages).

United States Office Action, U.S. Appl. No. 29/548,666, dated Nov. 17, 2016, 8 pages.

Suction Cup & Locking Arm. Online, published date unknown. Retrieved on Jan. 11, 2018 from URL: <https://joby.com/suction-cup-with-locking-arm> (1 page).

GoPro i Shop i Mounts & Accessories, posted on Nov. 16, 2017, © 2018 GoPro, Inc. [online], [site visited Mar. 16, 2018]. Available from Internet, <URL: <https://shop.gopro.com/mounts-accessories/>> (13 PGS).

Linxv i Action Camera Accessories i Action Camera Strap, posted on Jun. 4, 2016, © 2012 Avada [online], [site visited Mar. 16, 2018]. Available from Internet, <URL: <http://www.linxv.com/action-camera-accessories/action-camera-strap/>> (4 PGS).

Google Express IGoPro Karma Harness for HERO4 Black/Silver Camera—AGFHA-001, first reviewed on Mar. 17, 2017, © 2018 Google [online], [site visited Mar. 16, 2018]. Available from Internet, <URL: <https://goo.gl/hugSGv/>> 1 page.

* cited by examiner

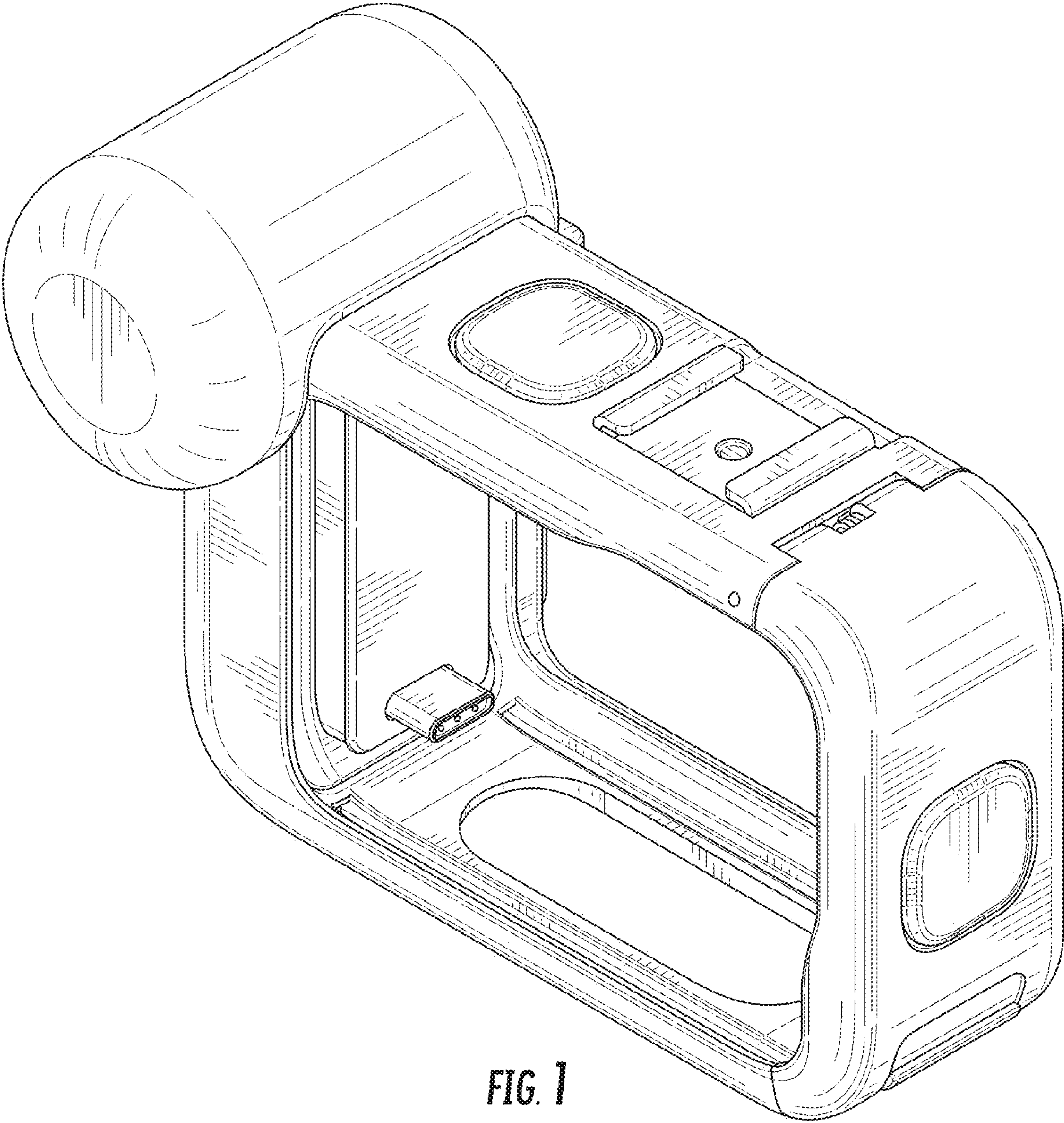


FIG. 1

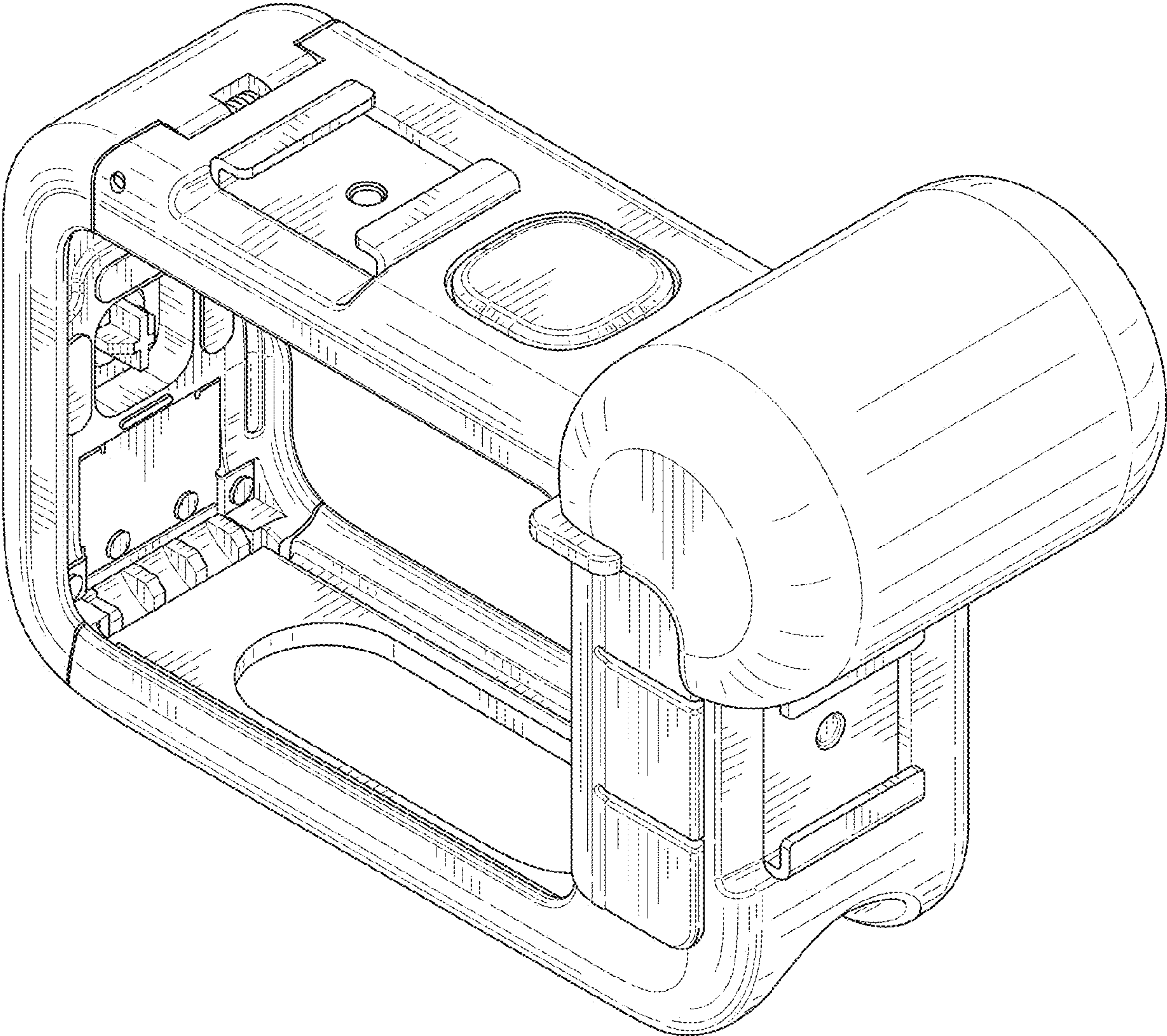


FIG. 2

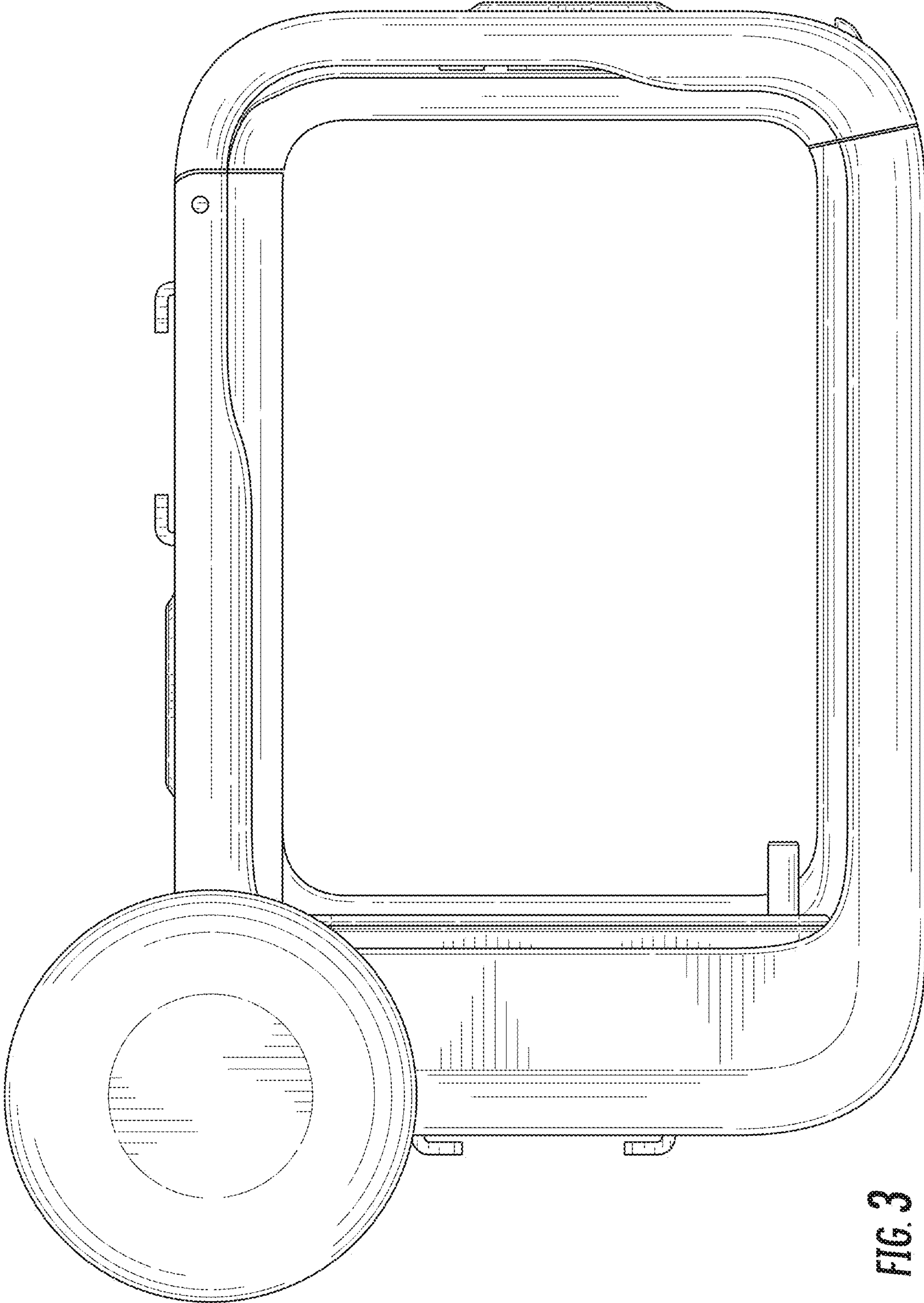
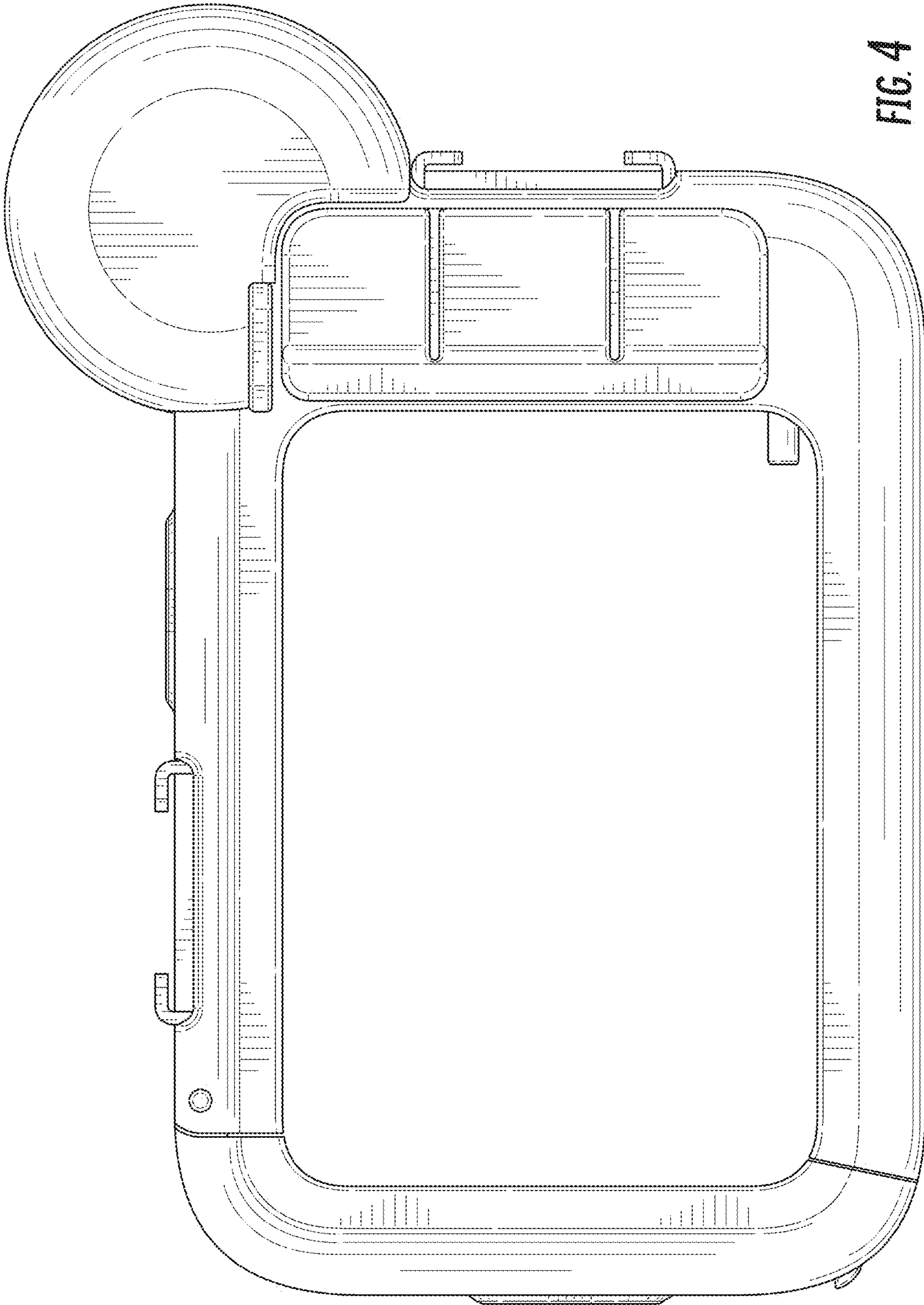


FIG. 3



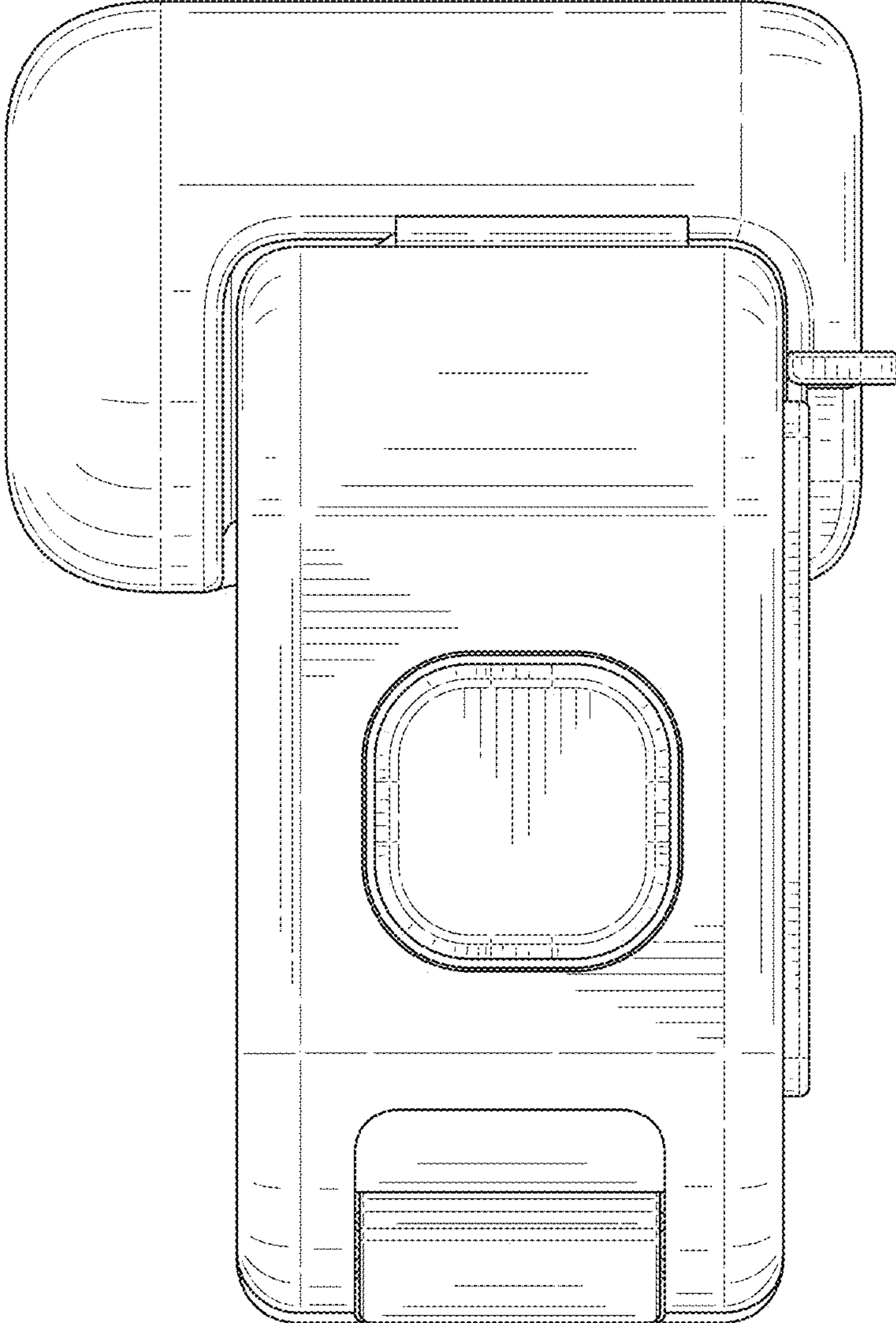


FIG. 5

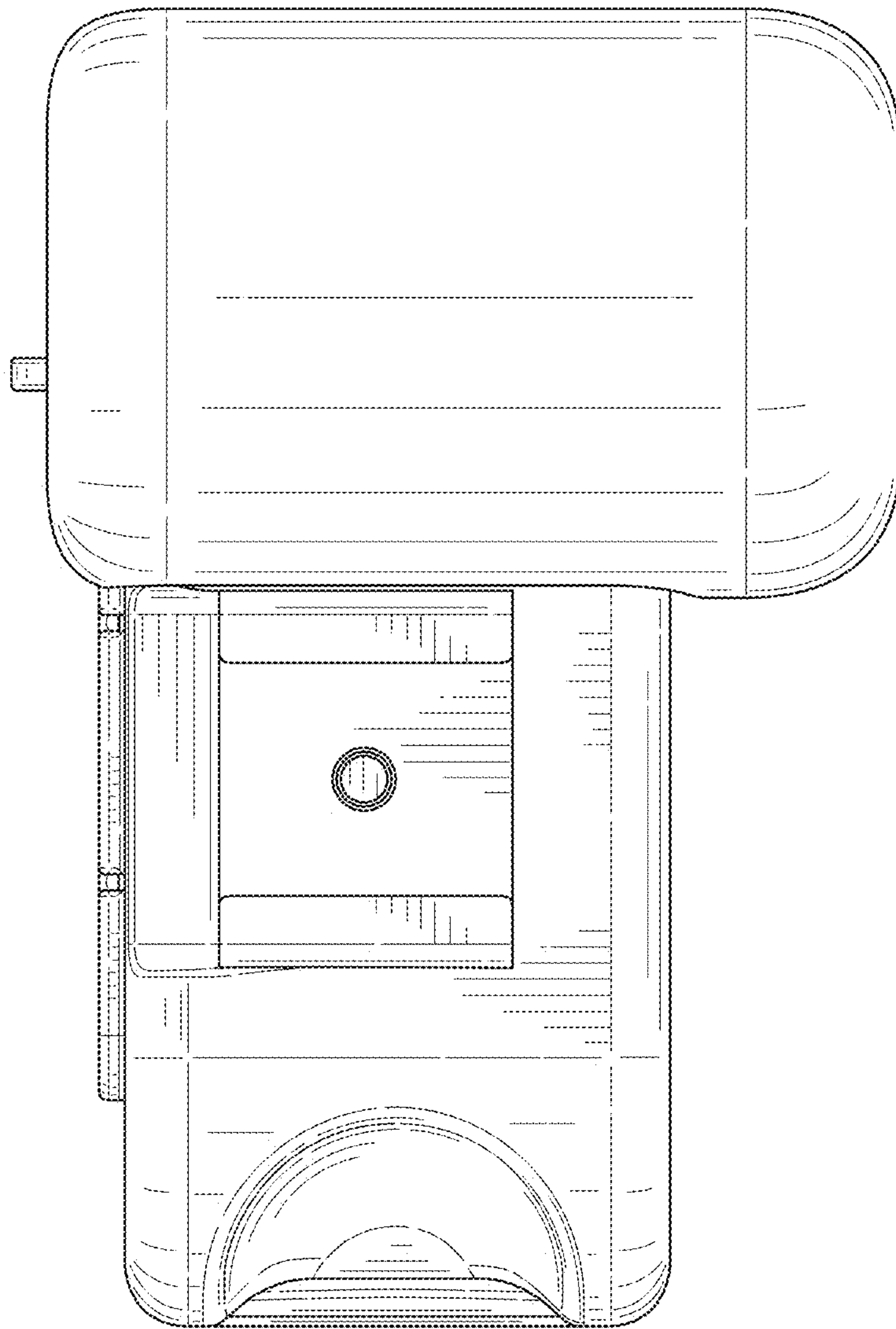


FIG. 6

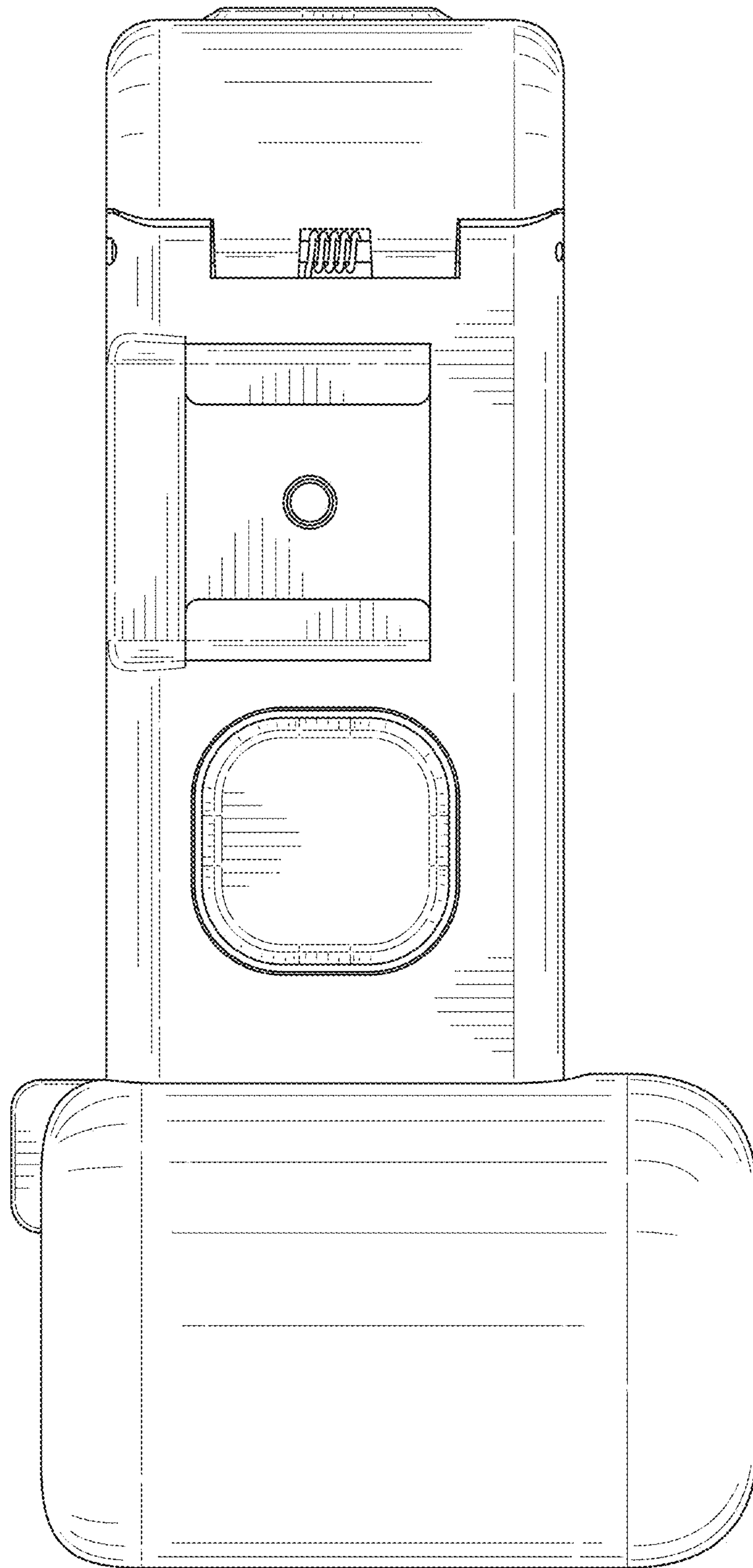


FIG. 7

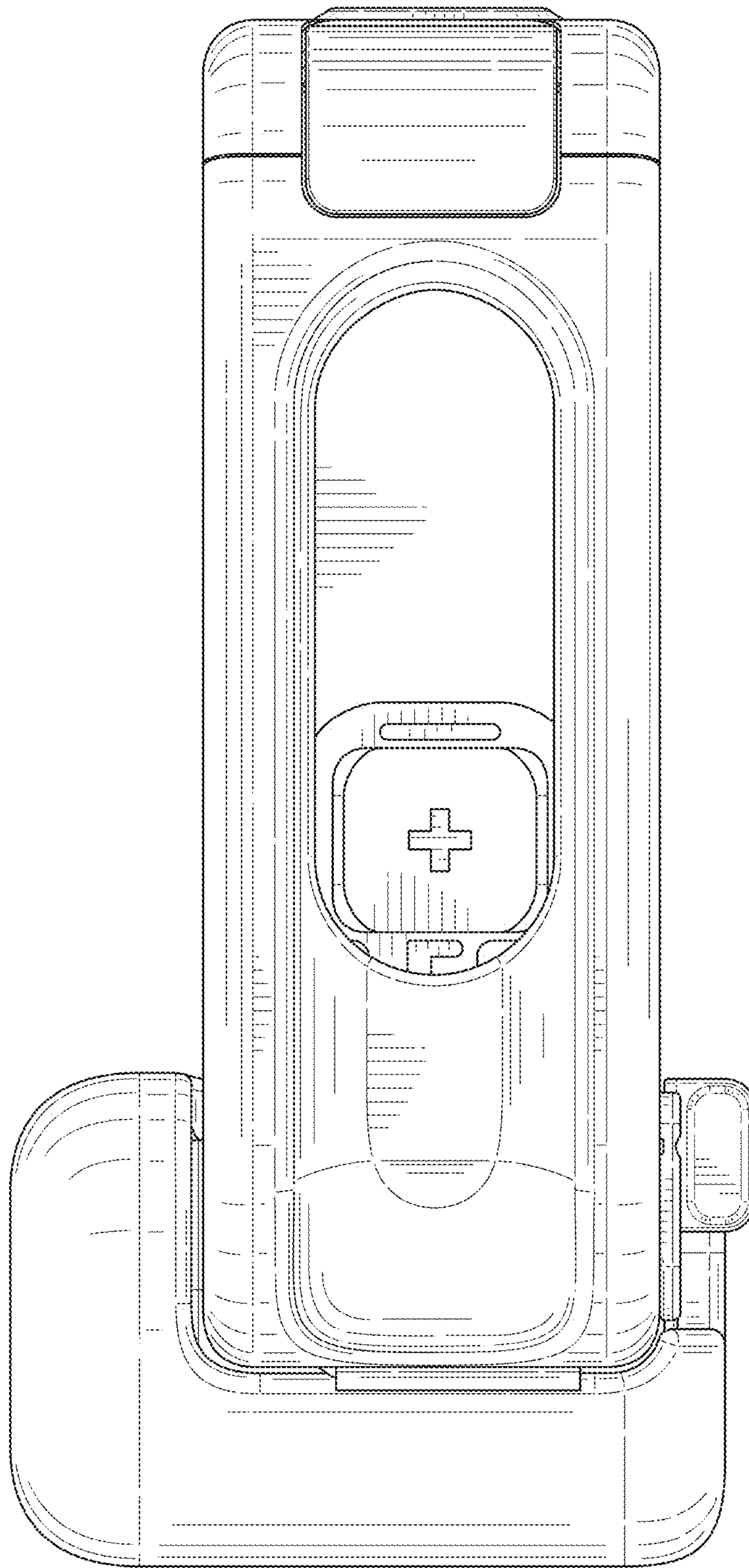


FIG. 8