



US00D953402S

(12) **United States Design Patent**
Huang

(10) **Patent No.:** **US D953,402 S**

(45) **Date of Patent:** **** May 31, 2022**

(54) **MAGNIFIER WITH LIGHTING
ARRANGEMENT**

(71) Applicant: **Kuan Da Huang**, Alhambra, CA (US)

(72) Inventor: **Kuan Da Huang**, Alhambra, CA (US)

(**) Term: **15 Years**

(21) Appl. No.: **29/752,081**

(22) Filed: **Sep. 24, 2020**

(51) **LOC (13) Cl.** **16-06**

(52) **U.S. Cl.**
USPC **D16/135; D26/38**

(58) **Field of Classification Search**
USPC D16/100, 130, 131, 132, 134, 133, 135,
D16/136, 219, 245, 310, 340; D26/37,
D26/38, 50, 51, 56

CPC E06B 9/24; G03B 17/02; C03B 2215/46;
G02B 2003/0093; G02B 3/04; G02B
25/002; G02B 25/007; G02B 25/02

See application file for complete search history.

(56) **References Cited**

U.S. PATENT DOCUMENTS

D196,270 S * 9/1963 Mehr D16/135
D324,060 S * 2/1992 Huang D16/135
D394,073 S * 5/1998 Hennessy D16/135

D602,967 S * 10/2009 Hui D16/135
D635,170 S * 3/2011 van der Lande D16/135
D637,220 S * 5/2011 Levine D16/135
D702,746 S * 4/2014 Gresko D16/135
D835,316 S * 12/2018 Edgar D26/51
D905,146 S * 12/2020 Huang D16/135
D905,147 S * 12/2020 Hillstrom D16/135
D916,168 S * 4/2021 Lin D16/208
D935,505 S * 11/2021 Bae D16/135

* cited by examiner

Primary Examiner — Richard Kearney

Assistant Examiner — Benjamin M Weeks

(74) *Attorney, Agent, or Firm* — Tsz Lung Yeung

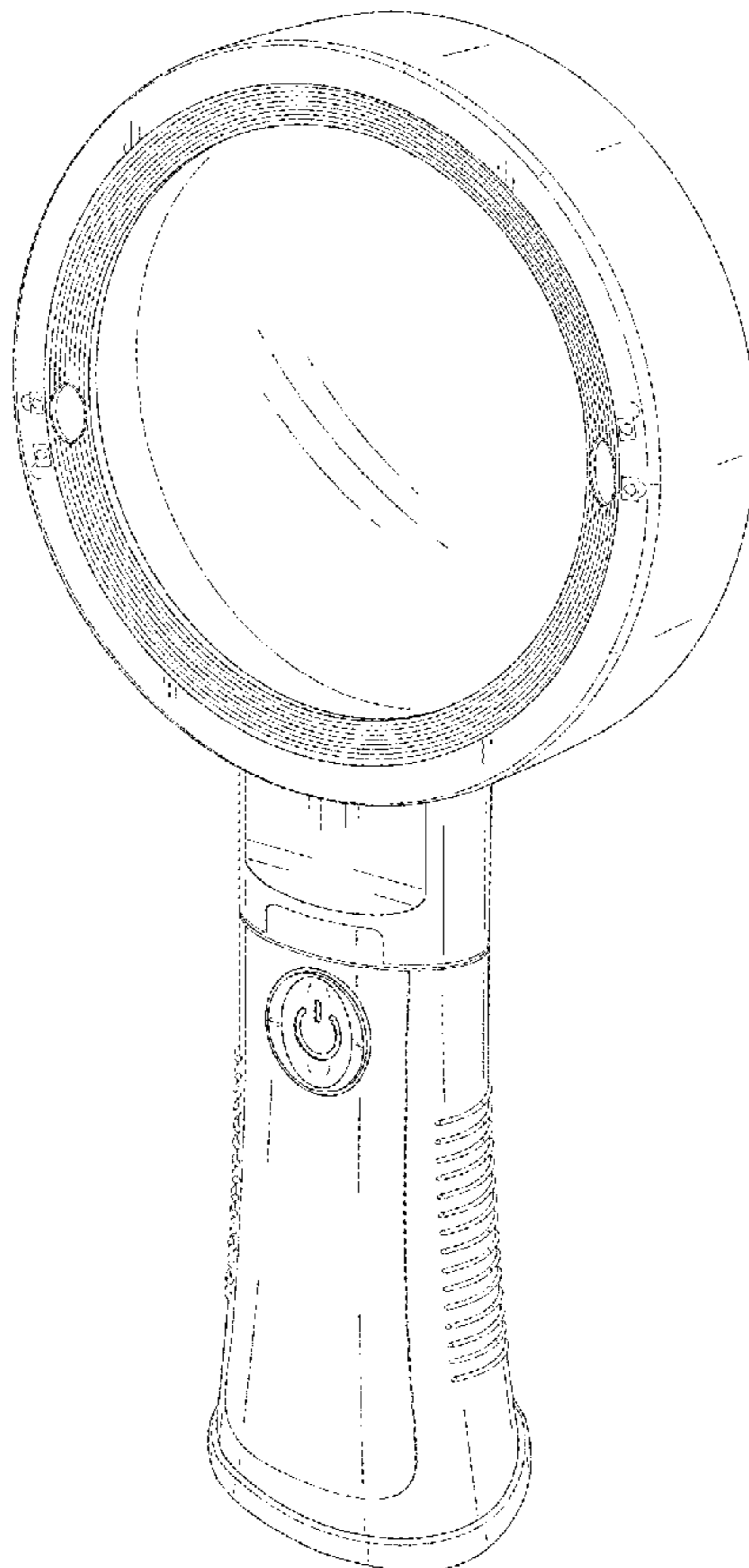
(57) **CLAIM**

The ornamental design for a magnifier with lighting arrangement, as shown and described.

DESCRIPTION

FIG. 1 is a perspective view of a magnifier with lighting arrangement showing my new design;
FIG. 2 is a front view thereof;
FIG. 3 is a rear view thereof;
FIG. 4 is a right end view thereof;
FIG. 5 is a left end view thereof;
FIG. 6 is a top view thereof;
FIG. 7 is a bottom view thereof; and,
FIG. 8 is another perspective view thereof.

1 Claim, 8 Drawing Sheets



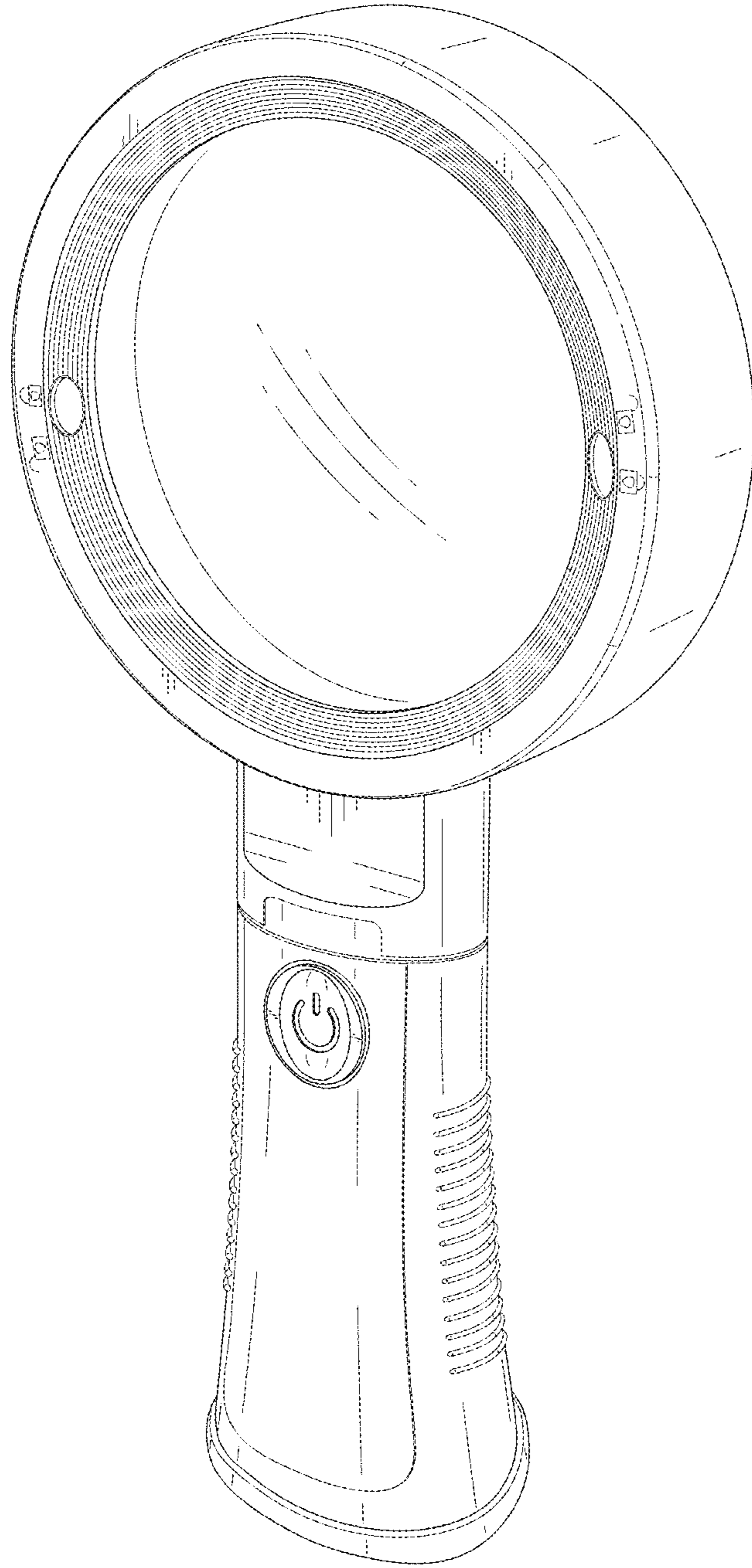


FIG. 1

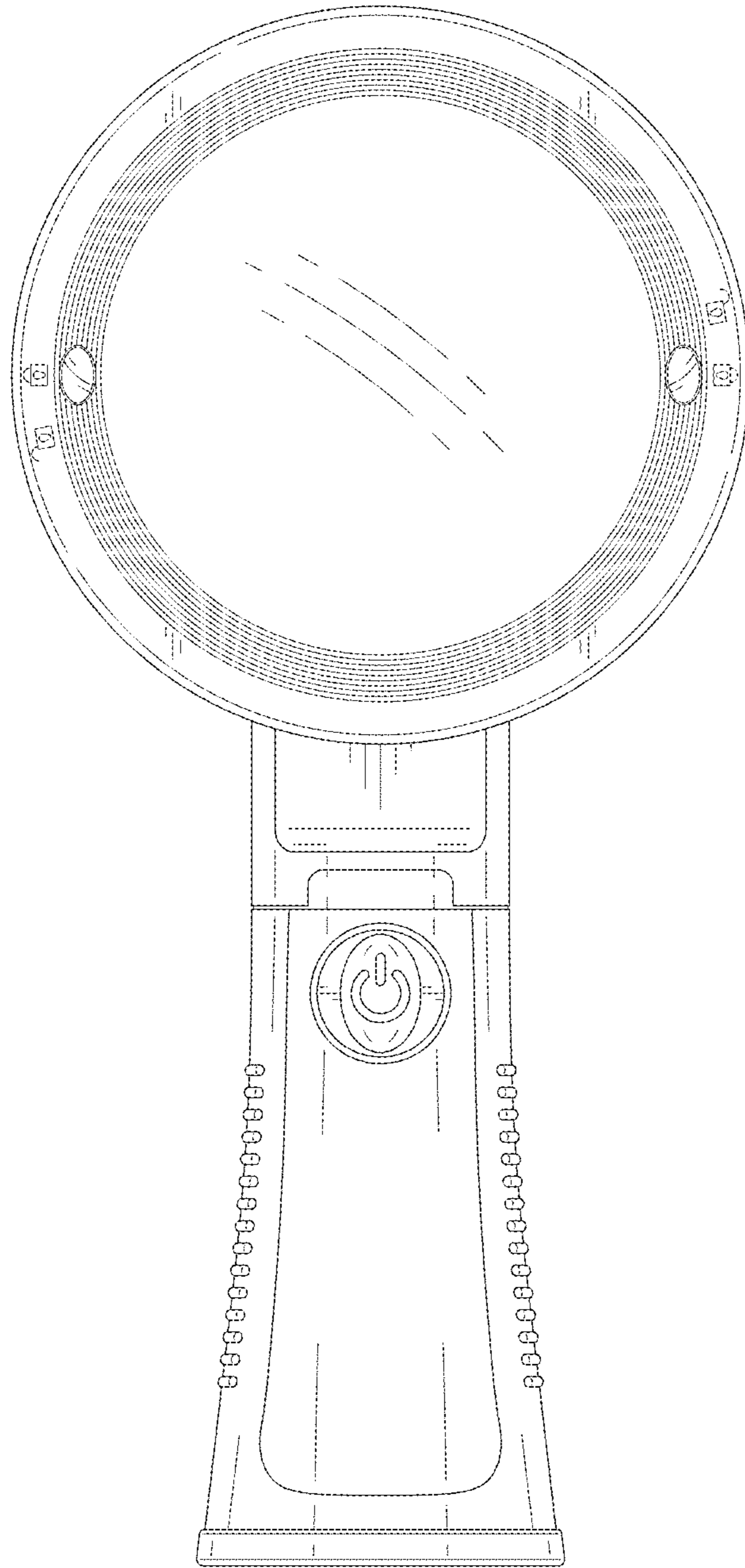


FIG. 2

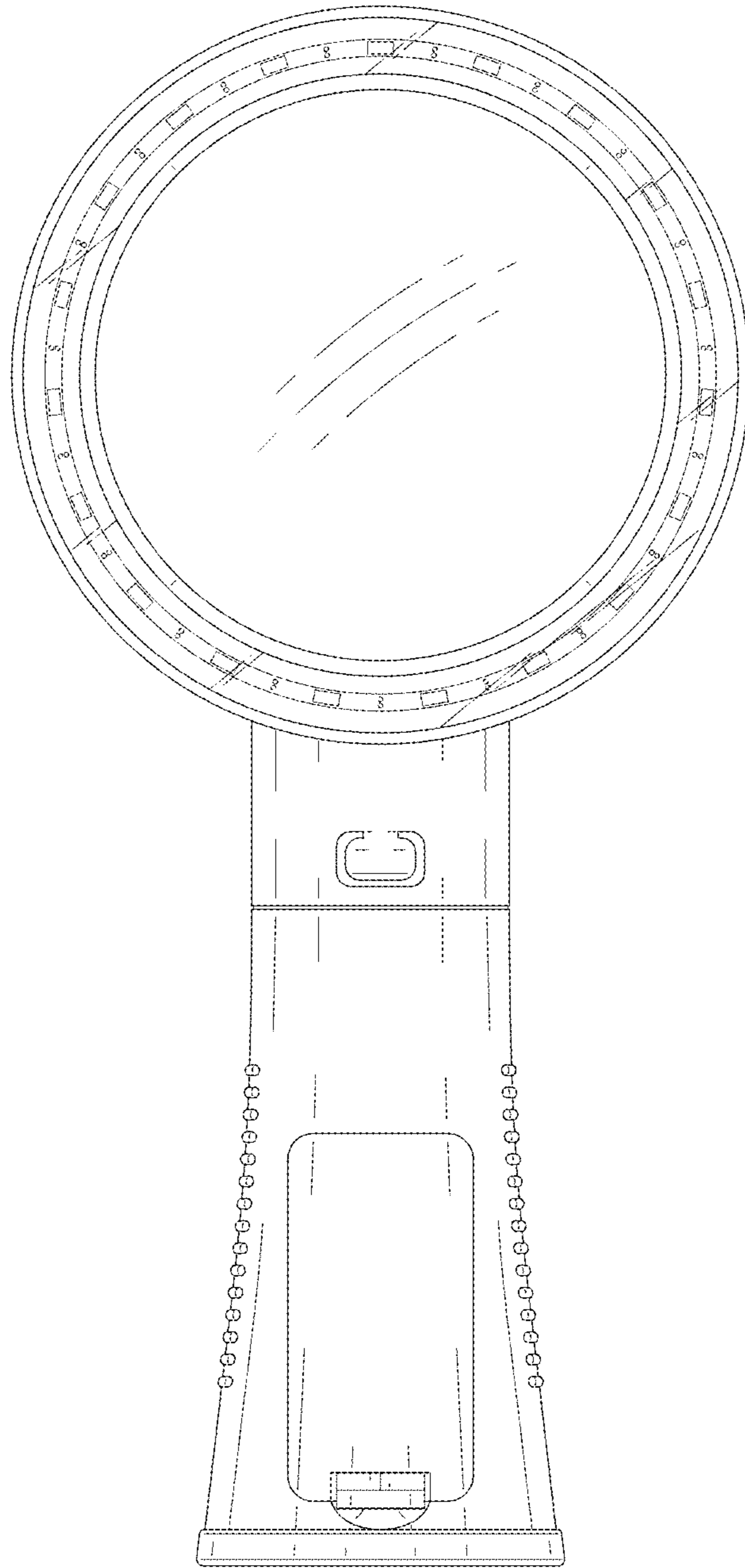


FIG. 3

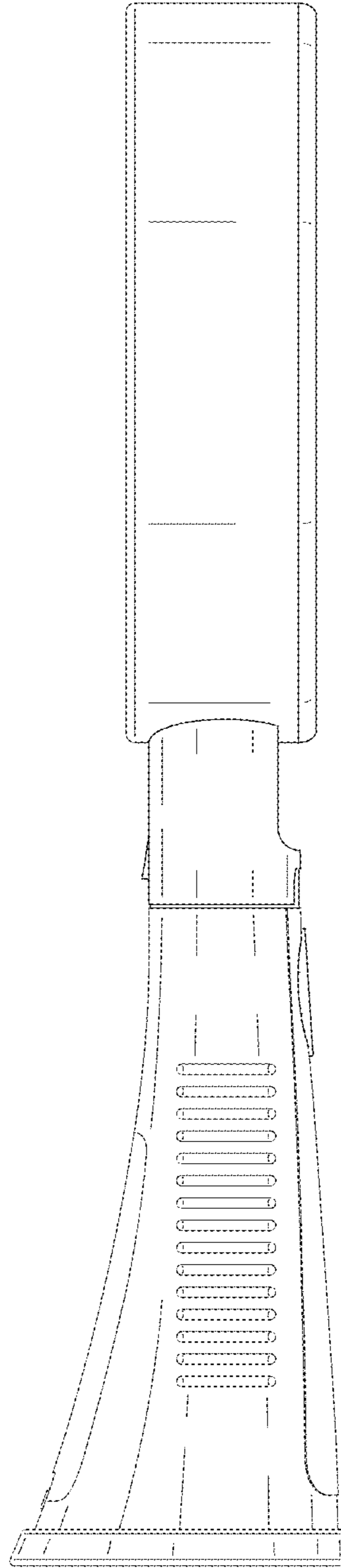


FIG. 4

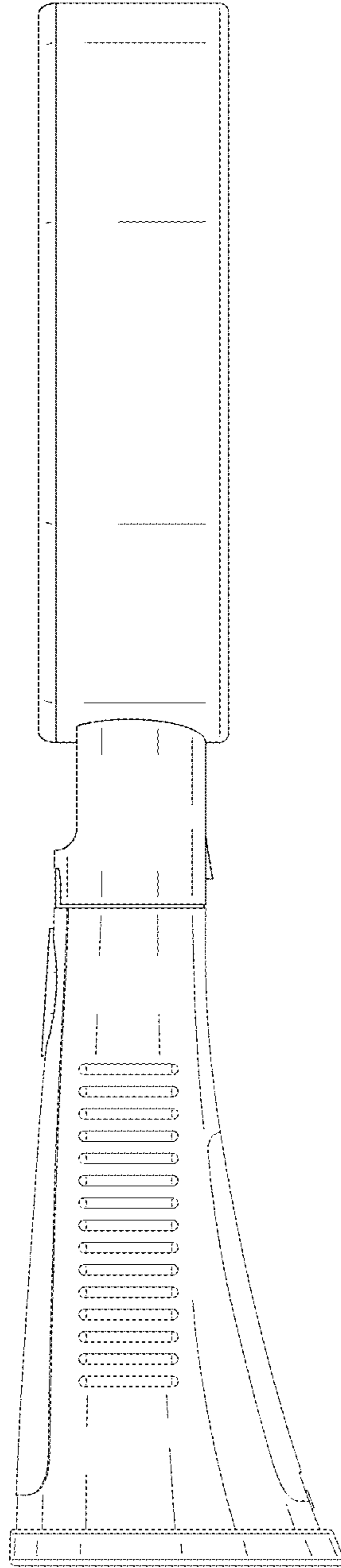


FIG. 5

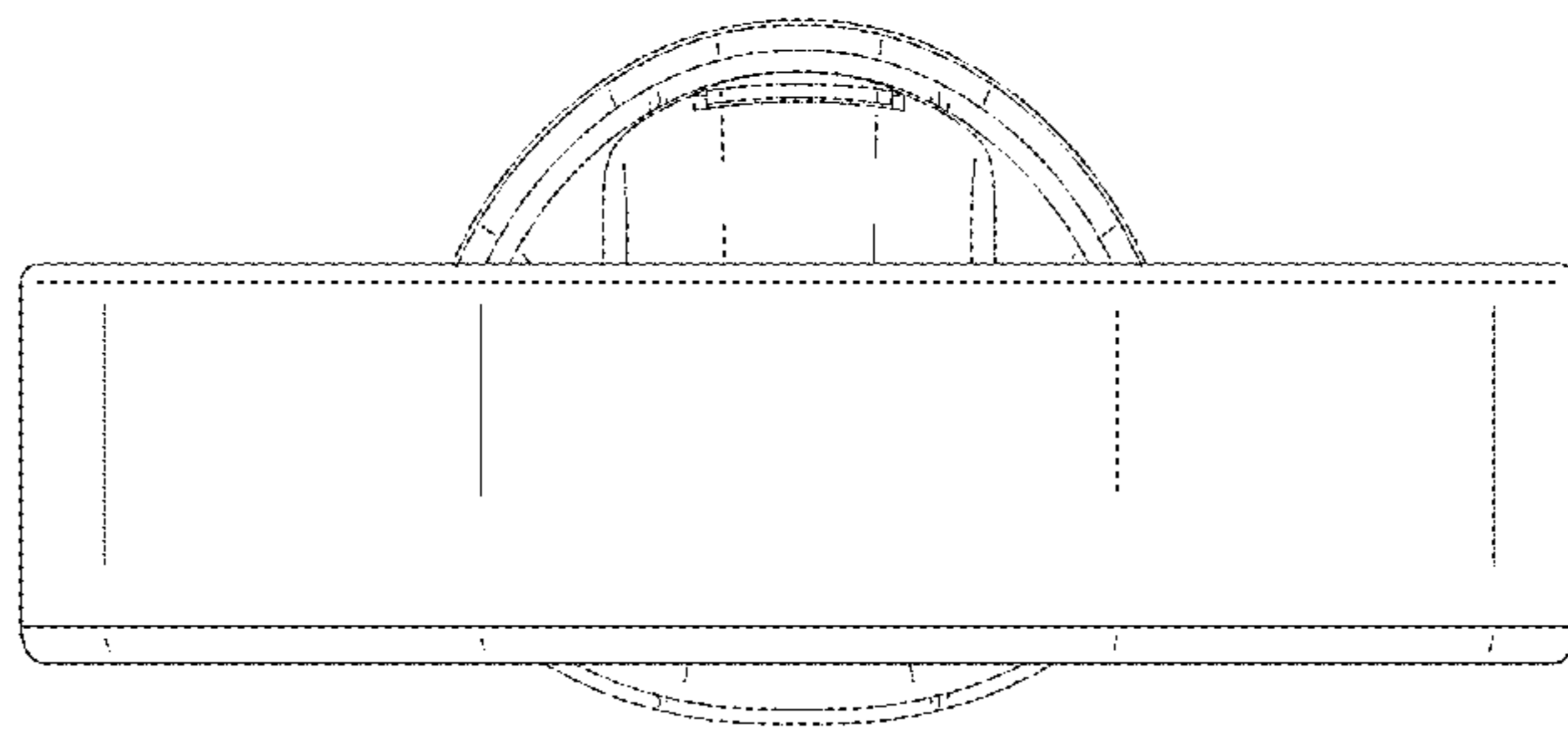


FIG. 6

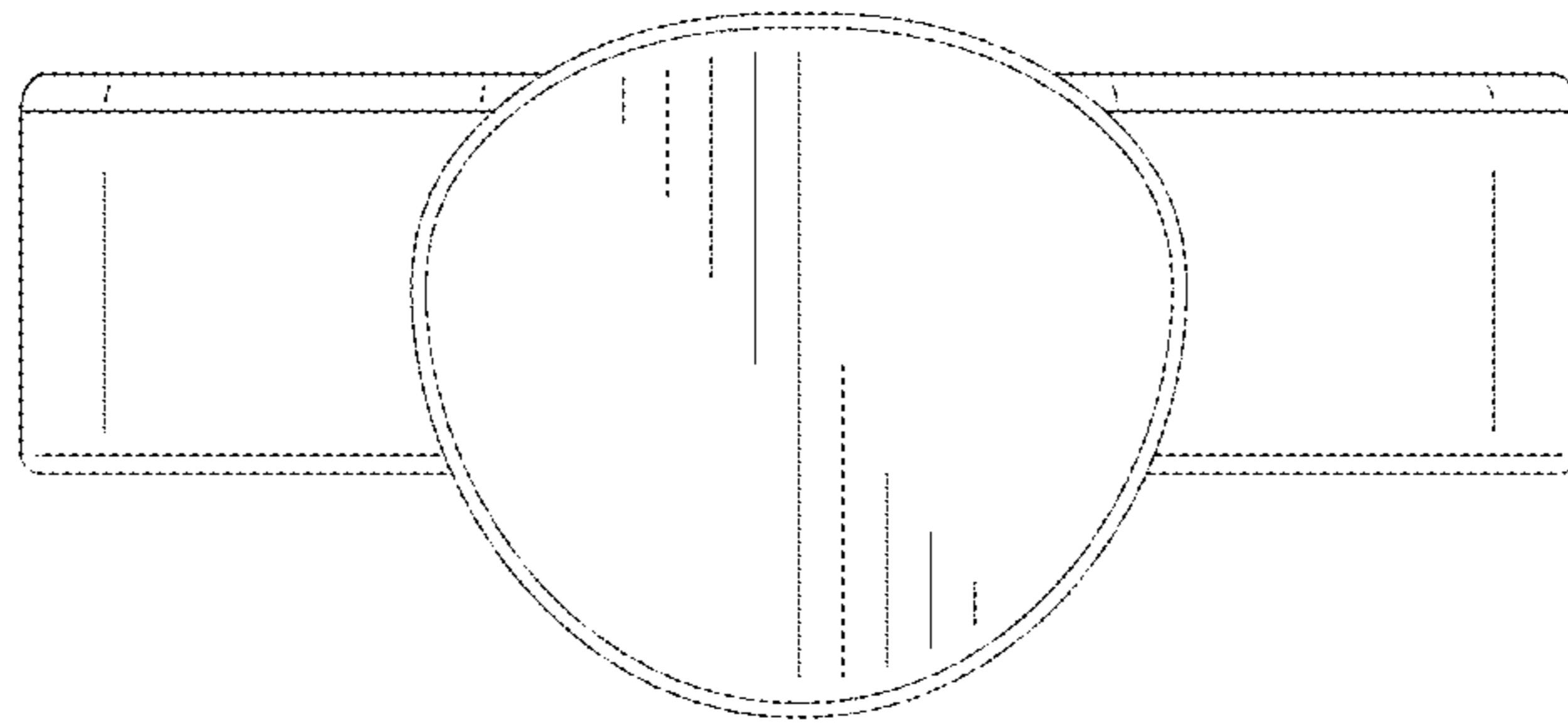


FIG. 7

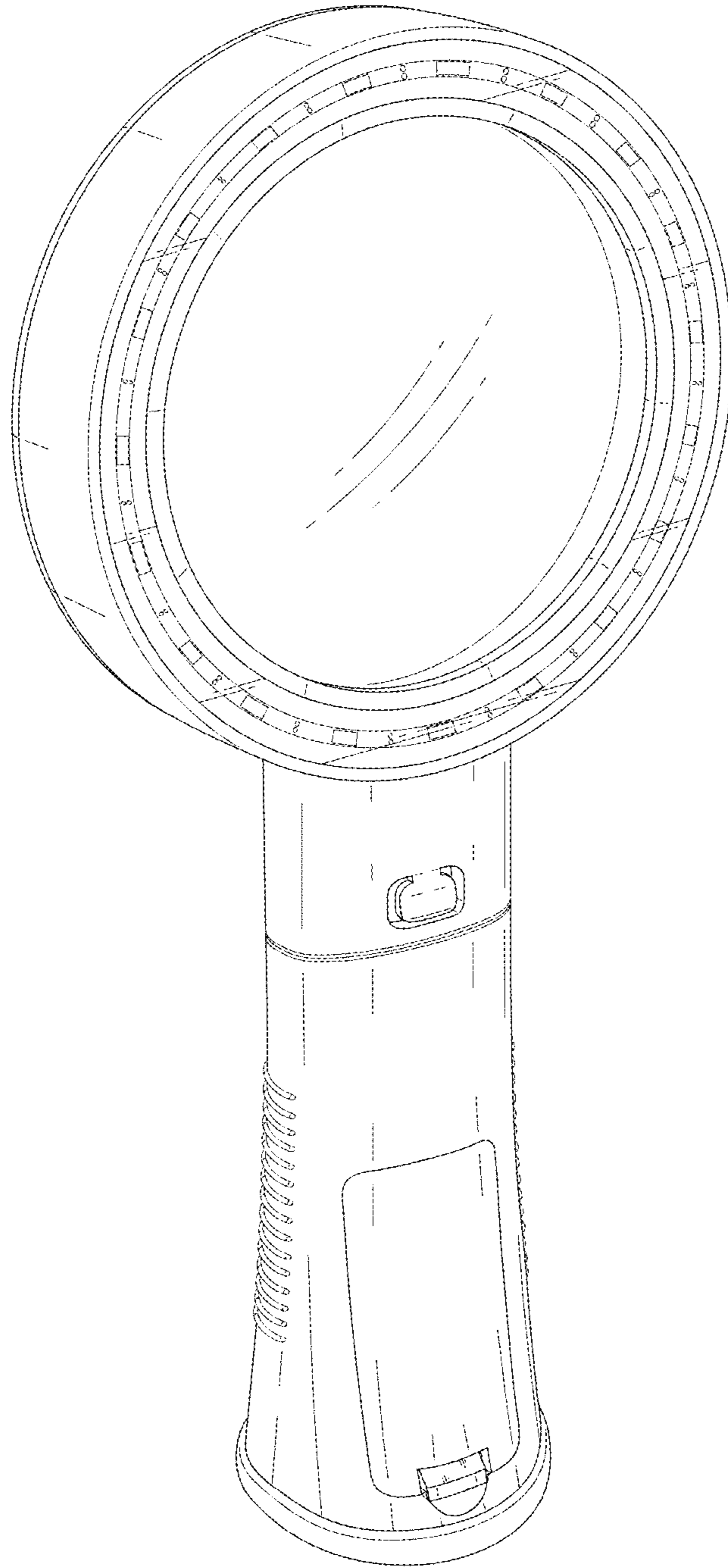


FIG. 8