



US00D953401S

(12) **United States Design Patent**
Wang

(10) **Patent No.:** **US D953,401 S**

(45) **Date of Patent:** **** May 31, 2022**

(54) **THERMAL IMAGER**

(71) Applicant: **Shenzhen Pard Technology Co., Ltd,**
Shenzhen (CN)

(72) Inventor: **Zhike Wang,** Shenzhen (CN)

(**) Term: **15 Years**

(21) Appl. No.: **29/783,887**

(22) Filed: **May 17, 2021**

(51) **LOC (13) Cl.** **16-06**

(52) **U.S. Cl.**

USPC **D16/132; D16/206**

(58) **Field of Classification Search**

USPC D10/70, 109.1, 109.2; D16/134, 130,
D16/131, 132, 135, 136, 202–208, 245,
D16/219; D24/120, 113, 118, 119, 121,
D24/122, 124, 125, 128; D22/108–110
CPC ... G01C 3/00; G01C 3/02; G01C 3/04; G01C
3/06; G01C 3/08; G01C 3/085; G01C
3/10; G01C 3/12; G01C 3/16; G01C
3/18; G01C 3/20; G01C 3/22; G01C
3/24; G01C 3/26; G01C 3/28; G01C
3/30; G01C 3/32; B60Q 1/04; B60Q
1/26; G02B 27/026; G02B 23/16; G02B
2003/0093; G02B 3/04; H04J 11/00;
H04J 13/00; E06B 9/24; G03B 17/02;
C03B 2215/46

See application file for complete search history.

(56) **References Cited**

U.S. PATENT DOCUMENTS

5,943,174 A * 8/1999 Bryant G02B 23/12
359/809
D472,256 S * 3/2003 Schick D16/132
D488,826 S * 4/2004 Zernov D16/204
D517,639 S * 3/2006 Sauter D16/132
D522,031 S * 5/2006 Siu D16/132
D564,555 S * 3/2008 Palmer D16/132

D603,436 S * 11/2009 Hamilton D16/132
D658,222 S 4/2012 Elrod et al.
D757,838 S 5/2016 Laho et al.
D769,955 S * 10/2016 Faehrmann D16/202
D848,499 S * 5/2019 Siminou D16/132
D886,176 S * 6/2020 Wu D16/202
D903,735 S * 12/2020 Chen D16/132
D913,354 S 3/2021 Marzette, Jr. et al.
D922,466 S * 6/2021 Larsen D16/202
D933,114 S * 10/2021 Lai D16/132

OTHER PUBLICATIONS

TA32 Therman Monocular (available online) Retrieved from the internet Jan. 25, 2022 from URL: https://www.pard-tech.com/Thermal-Imaging-optics-Pard-thermal-scope/Pard-thermal-monocular-series/PARD-TA32-Thermal-monocular-12um-384*288, PARD (Year: 2021).*

* cited by examiner

Primary Examiner — Richard Kearney
Assistant Examiner — Benjamin M Weeks

(57) **CLAIM**

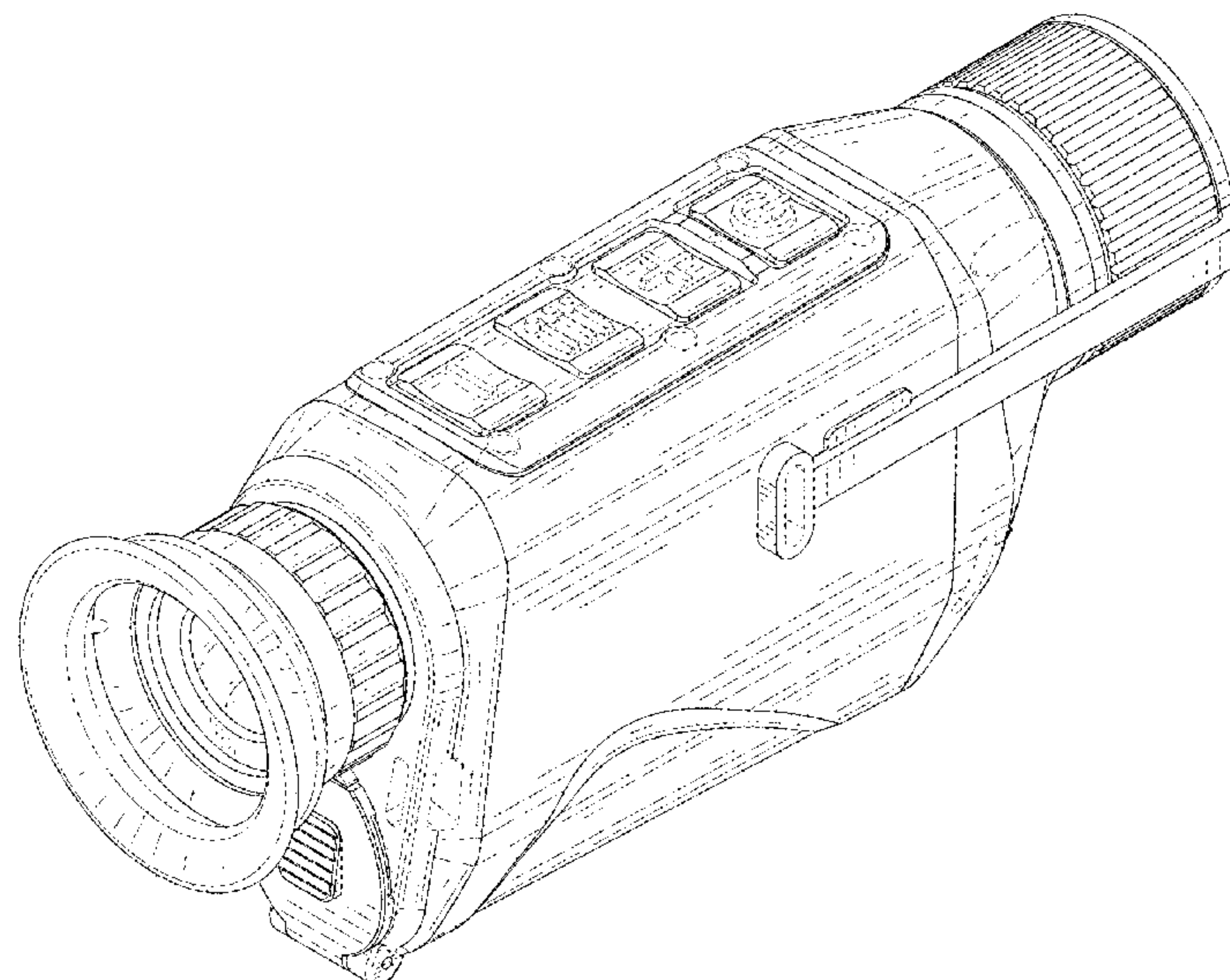
The ornamental design for a thermal imager, as shown and described.

DESCRIPTION

FIG. 1 is a first perspective view of a thermal imager showing my new design;
FIG. 2 is a second perspective view thereof;
FIG. 3 is a front view thereof;
FIG. 4 is a back view thereof;
FIG. 5 is a left side view thereof;
FIG. 6 is a right side view thereof;
FIG. 7 is a top view thereof; and,
FIG. 8 is a bottom view thereof.

The broken lines shown in the drawings depict portions of the thermal imager in which the design is embodied that form no part of the claimed design.

1 Claim, 8 Drawing Sheets



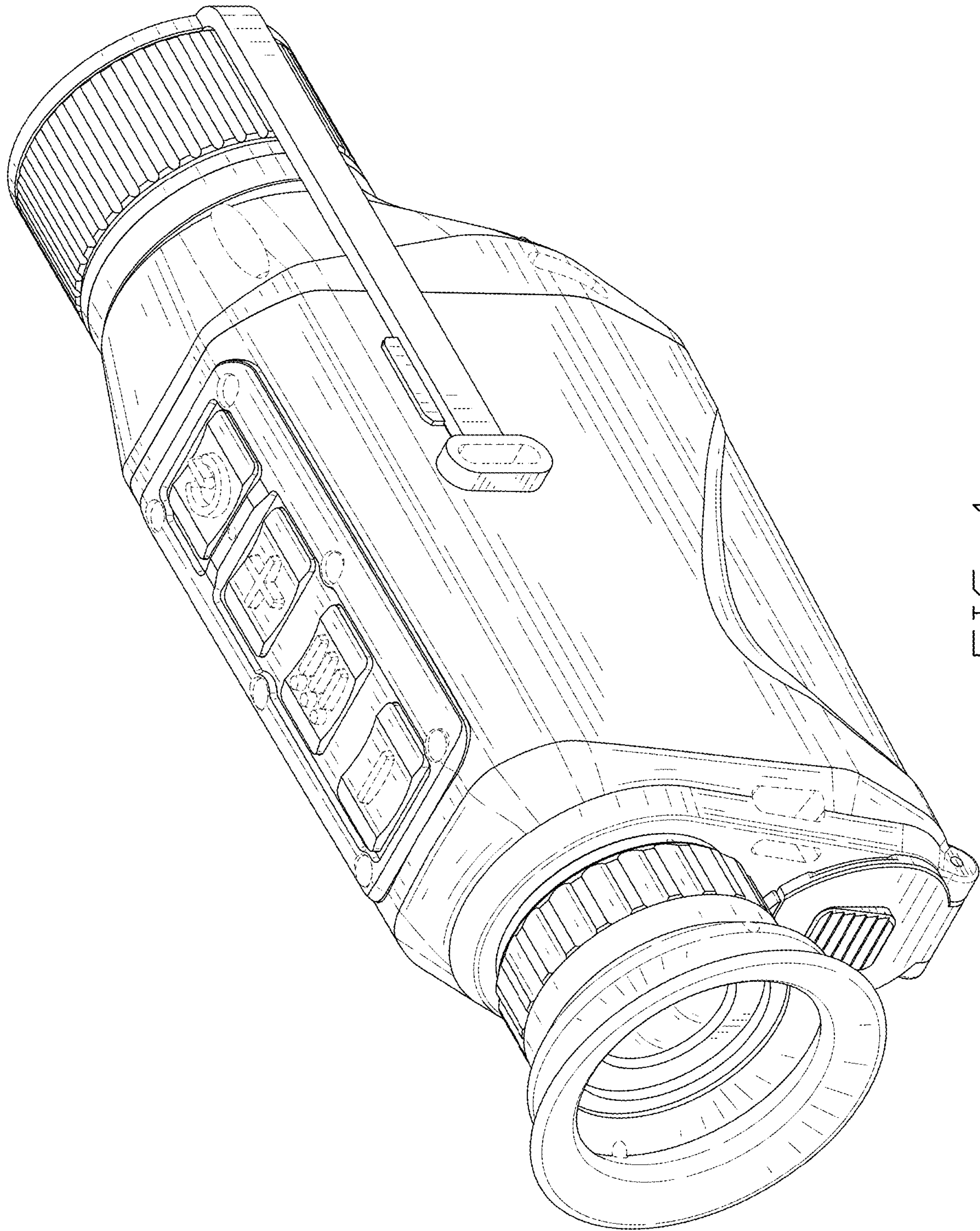


FIG. 1

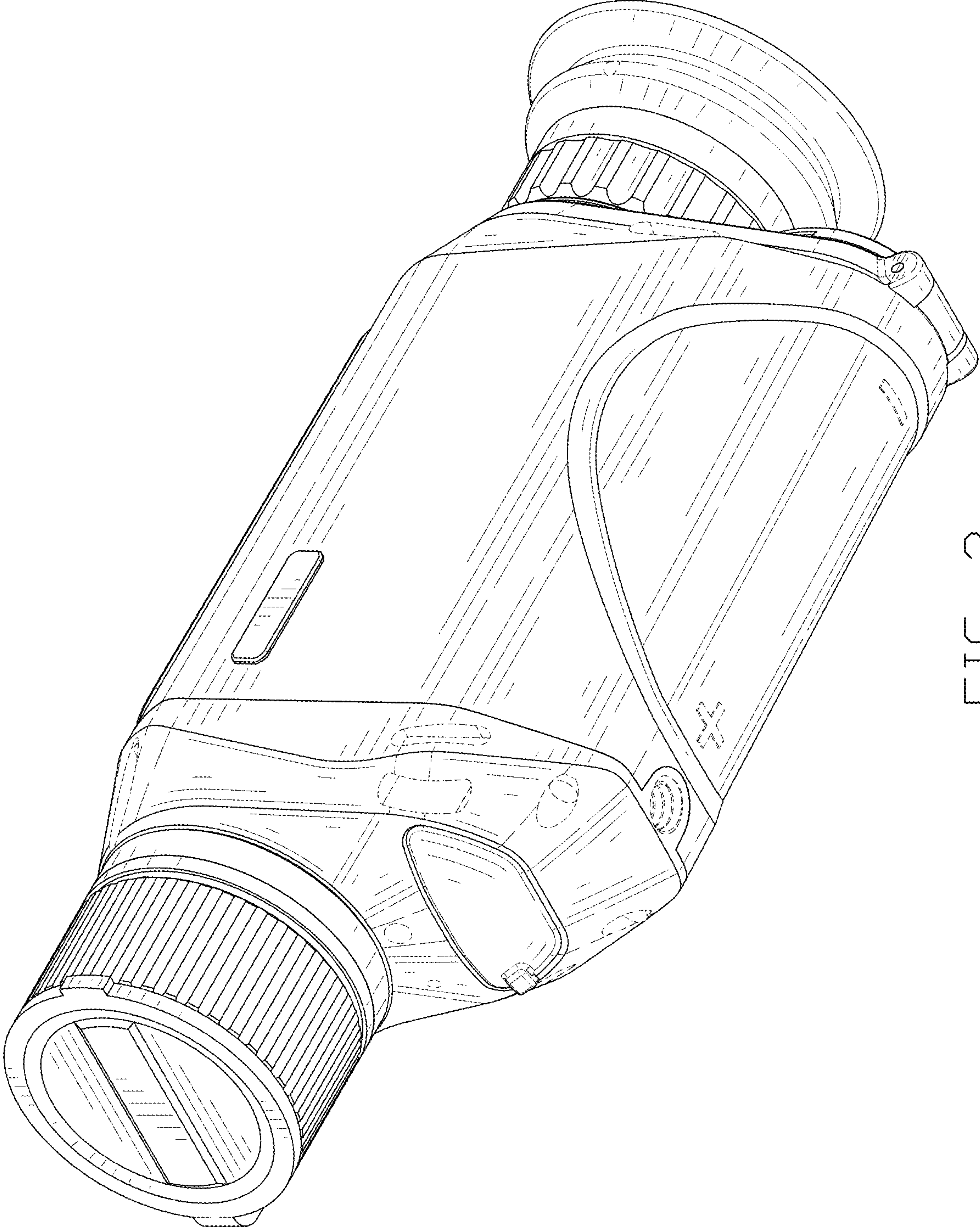


FIG. 2

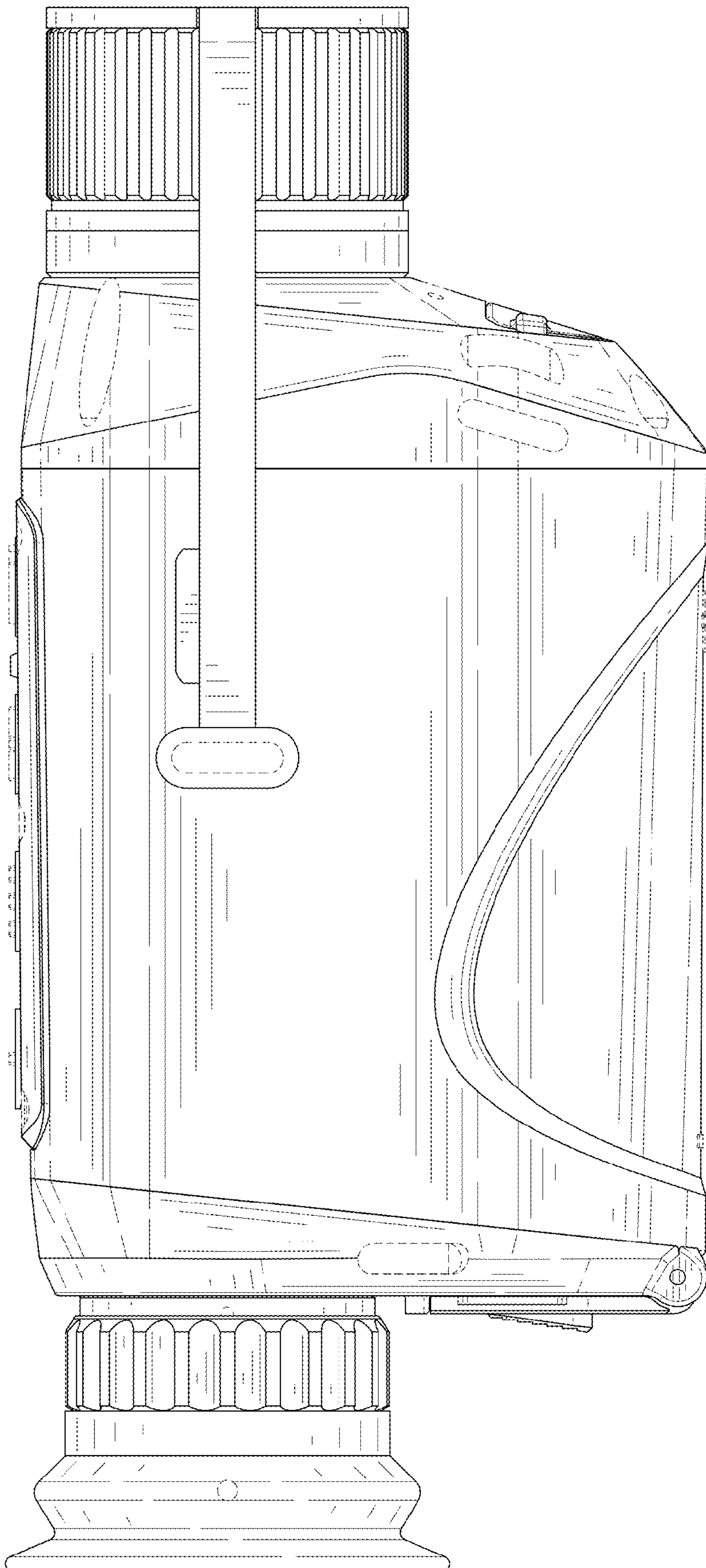


FIG. 3

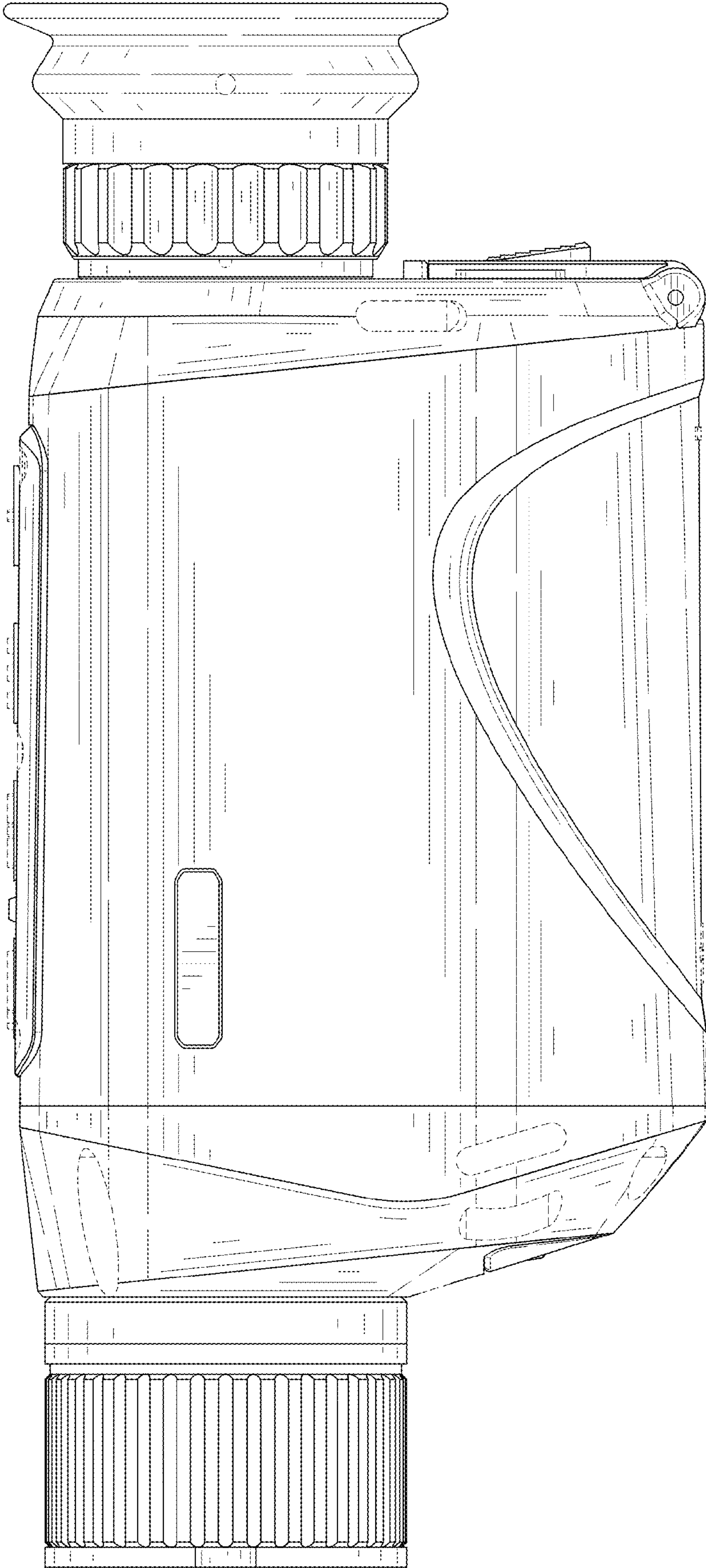


FIG. 4

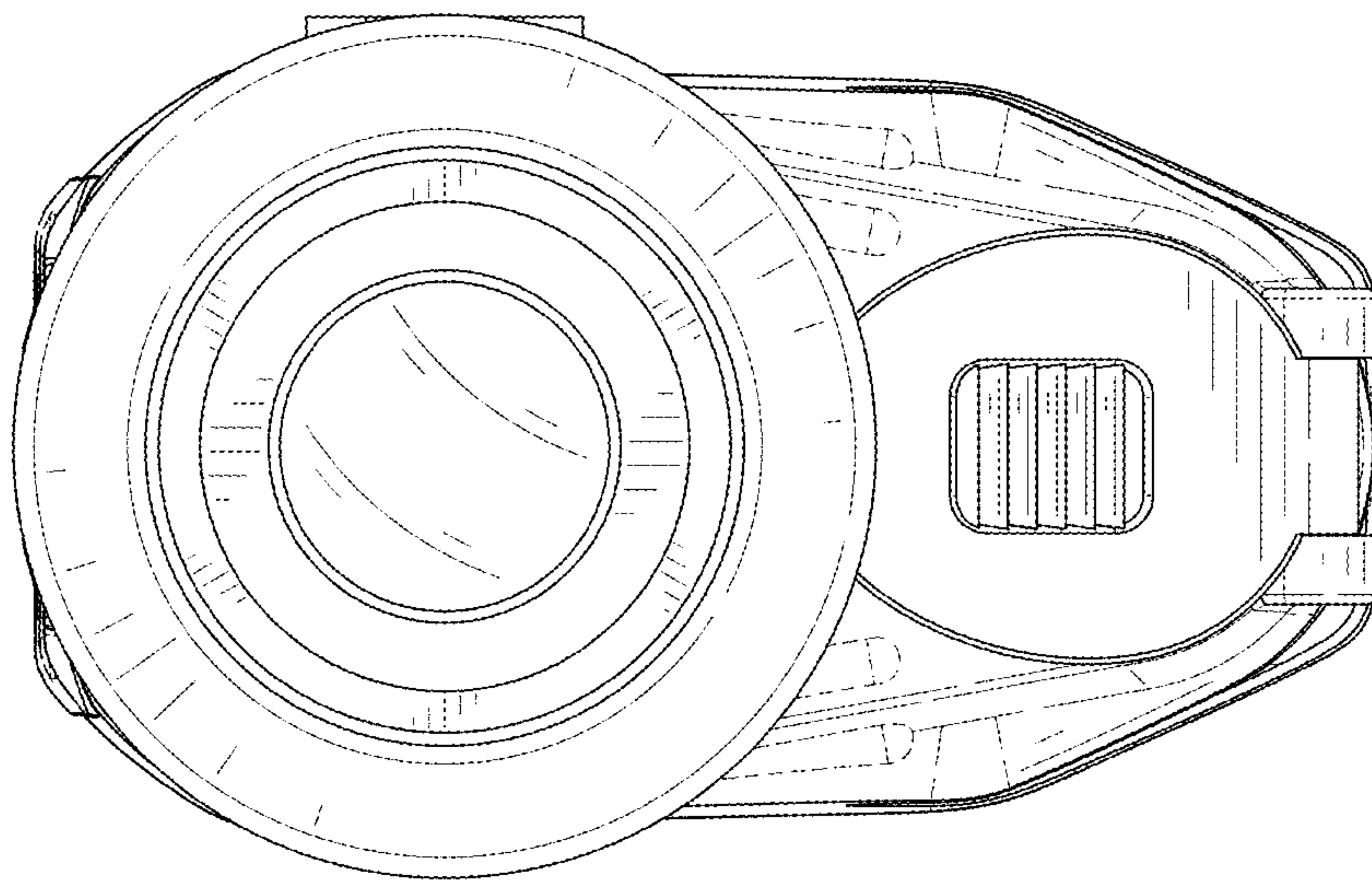


FIG. 5

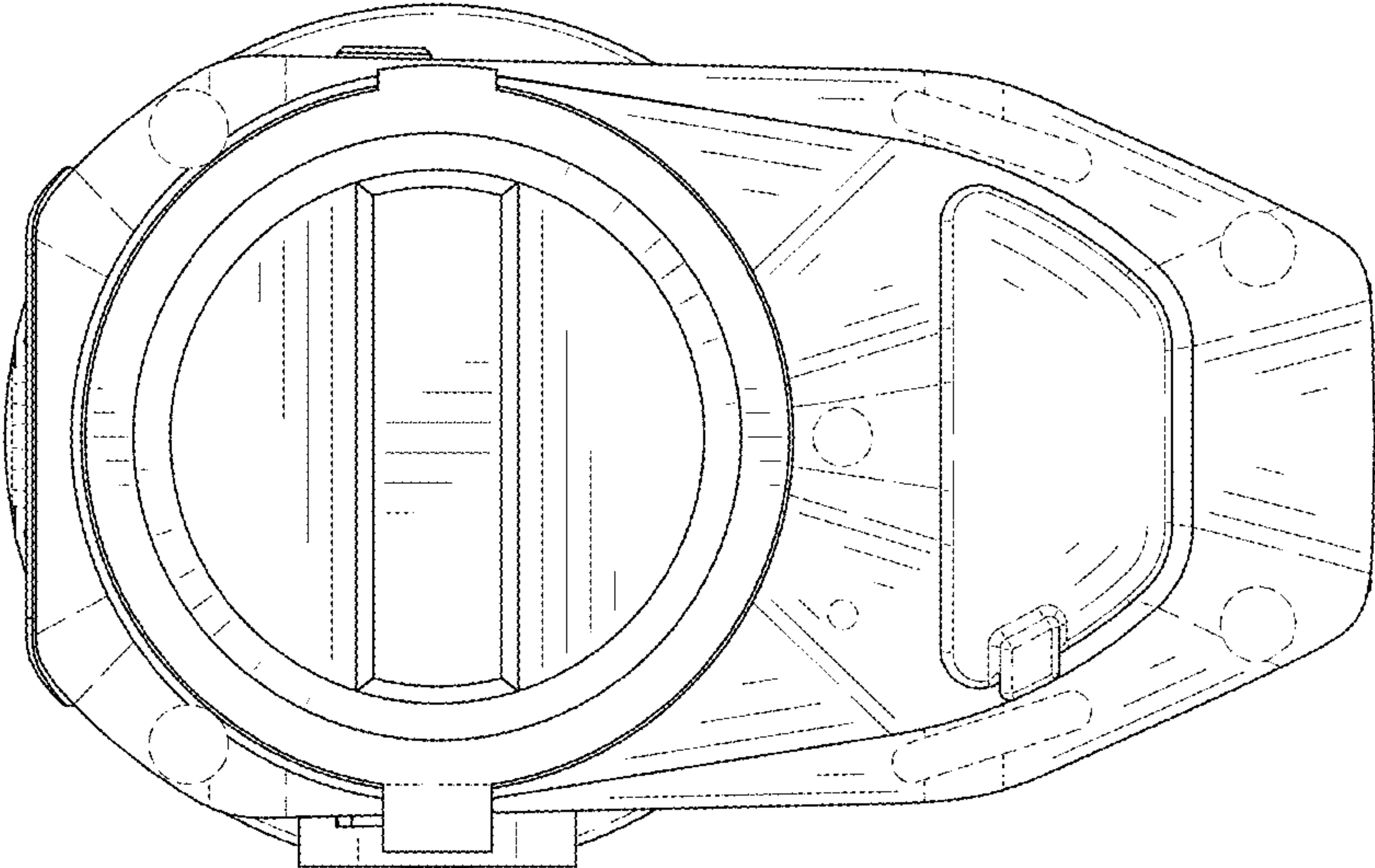


FIG. 6

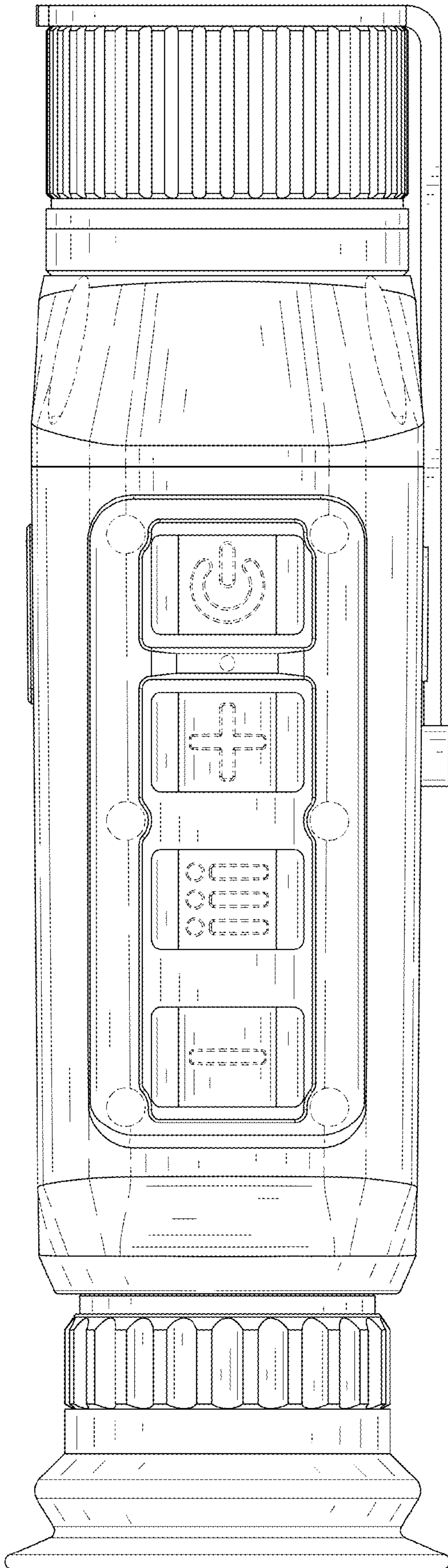


FIG. 7

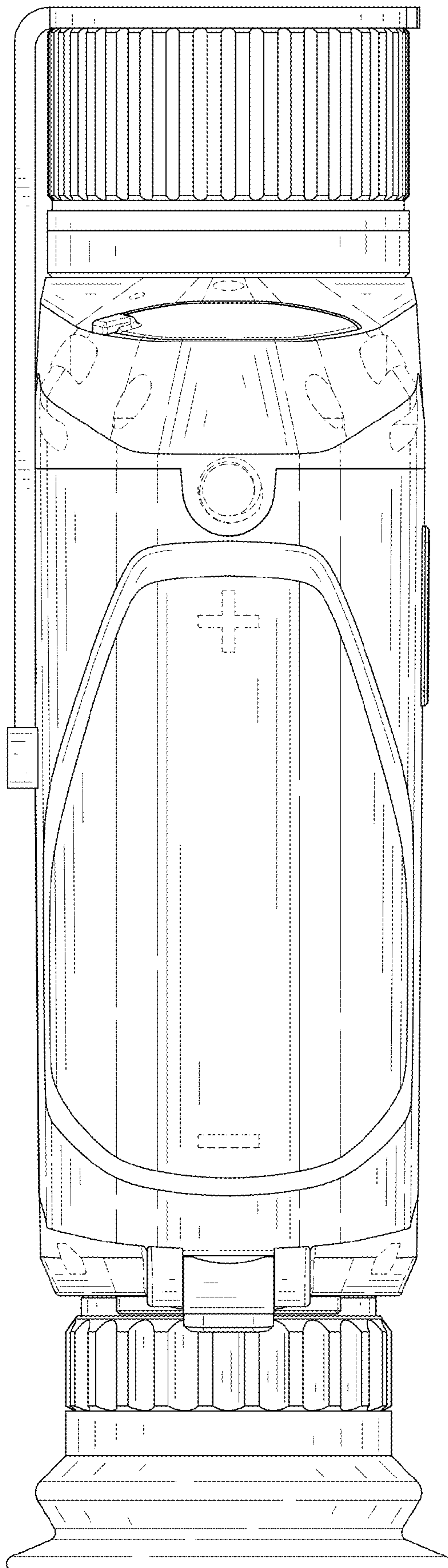


FIG. 8