

US00D953398S

(12) **United States Design Patent** (10) **Patent No.:** **US D953,398 S**
Cao (45) **Date of Patent:** **** May 31, 2022**

(54) **VACUUM SEALING MACHINE WITH ELECTRONIC SCALE**

(71) Applicant: **Chuanqing Cao**, Hunan (CN)

(72) Inventor: **Chuanqing Cao**, Hunan (CN)

(**) Term: **15 Years**

(21) Appl. No.: **29/750,697**

(22) Filed: **Sep. 16, 2020**

(51) **LOC (13) Cl.** **15-09**

(52) **U.S. Cl.**
USPC **D15/146**

(58) **Field of Classification Search**
USPC D15/145, 146; D18/50
CPC B23C 63/0065; B23C 63/0091; B23C
63/1018; B65B 31/046; B65B 31/047;
B65B 31/048; B65B 51/10
See application file for complete search history.

(56) **References Cited**

U.S. PATENT DOCUMENTS

D248,399 S *	7/1978	Dobson	D15/146
4,156,382 A *	5/1979	Baker	B29C 66/861 156/510
5,352,323 A *	10/1994	Chi	B65B 51/148 156/583.9
5,806,575 A *	9/1998	Tsay	B65D 81/2015 141/192
7,003,928 B2 *	2/2006	Patterson	B65B 31/06 53/405
D536,355 S *	2/2007	Levsen	B65B 31/06 D15/146
7,540,127 B2 *	6/2009	Sung	B65B 31/046 53/434
D597,572 S *	8/2009	Tsai	B29C 66/861 D15/146
D618,716 S *	6/2010	Huang	D15/146
D633,118 S *	2/2011	Beatty	D15/146

D682,329 S *	5/2013	Day	D15/146
D686,649 S *	7/2013	Zhou	D15/146
D694,793 S *	12/2013	Cumming	D15/146
D763,334 S *	8/2016	Yoshitomi	D15/146
D812,662 S *	3/2018	Chang	D15/146
D823,913 S *	7/2018	Chou	D15/146
D866,624 S *	11/2019	Choi	D15/146
D910,100 S *	2/2021	Qiu	D15/146
D910,726 S *	2/2021	Sun	D15/146
D912,710 S *	3/2021	Choi	D15/146
D912,711 S *	3/2021	Choi	D15/146
D921,730 S *	6/2021	Chen	D15/146
D922,462 S *	6/2021	Leyden	D15/146
D936,717 S *	11/2021	Chen	B65B 51/10
2005/0022480 A1 *	2/2005	Brakes	B65B 31/00 53/512
2013/0008130 A1 *	1/2013	Kim	F04B 33/00 53/79
2019/0047733 A1 *	2/2019	Zheng	B65B 51/10

* cited by examiner

Primary Examiner — Patricia A Palasik

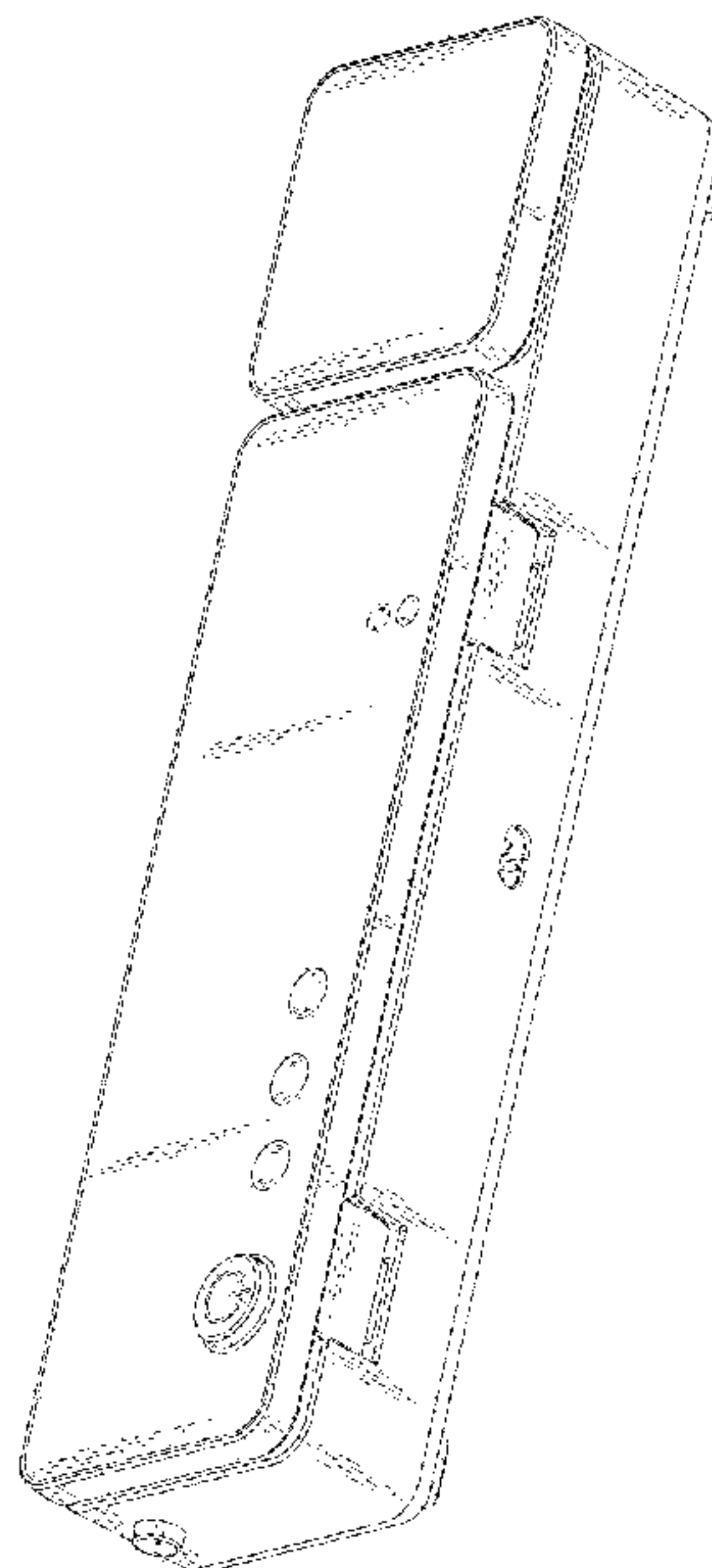
(57) **CLAIM**

The ornamental design for a vacuum sealing machine with electronic scale, as shown and described.

DESCRIPTION

FIG. 1 is a perspective view of a vacuum sealing machine with electronic scale showing my new design;
FIG. 2 is a top plan view thereof;
FIG. 3 is a bottom plan view thereof;
FIG. 4 is a front elevation view thereof;
FIG. 5 is a rear elevation view thereof;
FIG. 6 is a left side elevation view thereof; and,
FIG. 7 is a right side elevation view thereof.
The broken lines depict portions of the vacuum sealing machine with electronic scale that form no part of the claimed design.

1 Claim, 7 Drawing Sheets



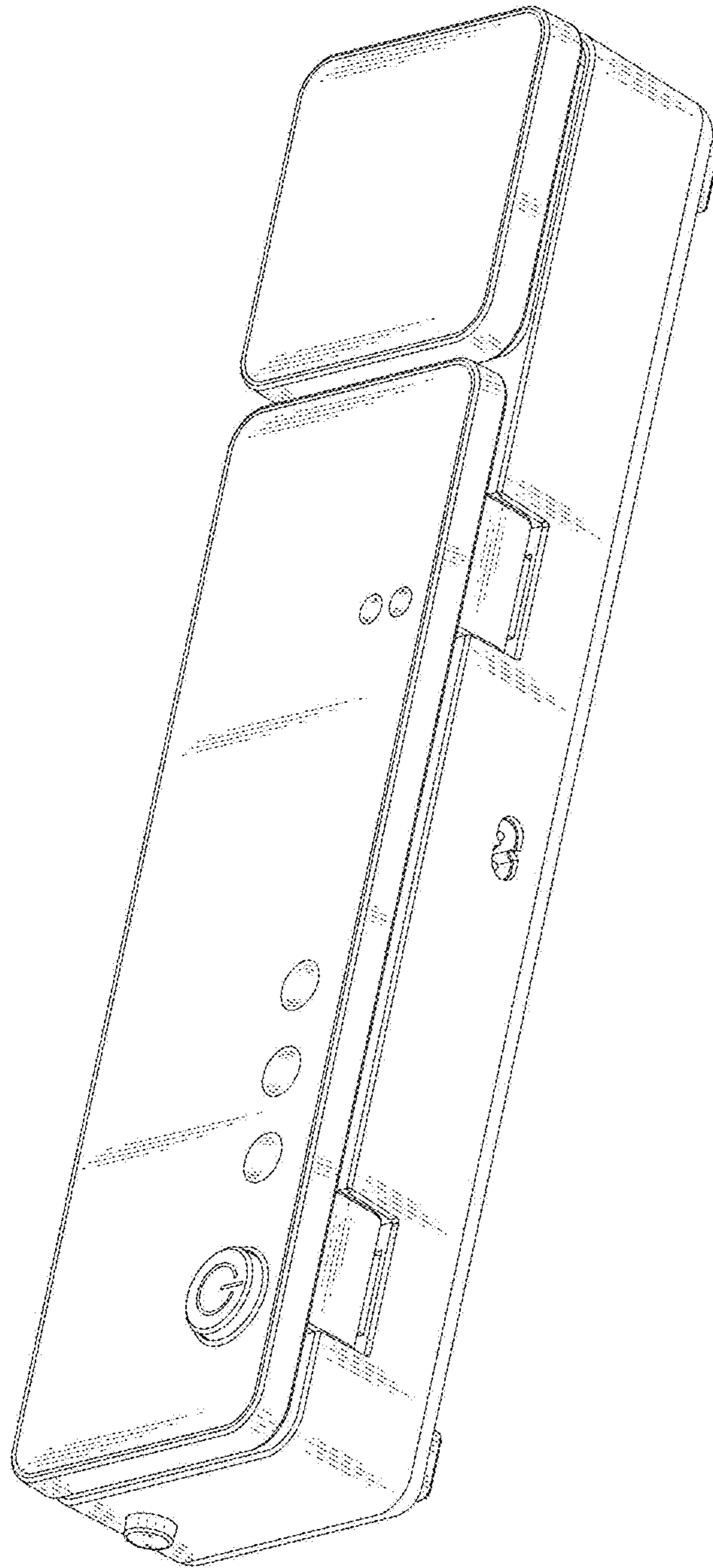


FIG.1

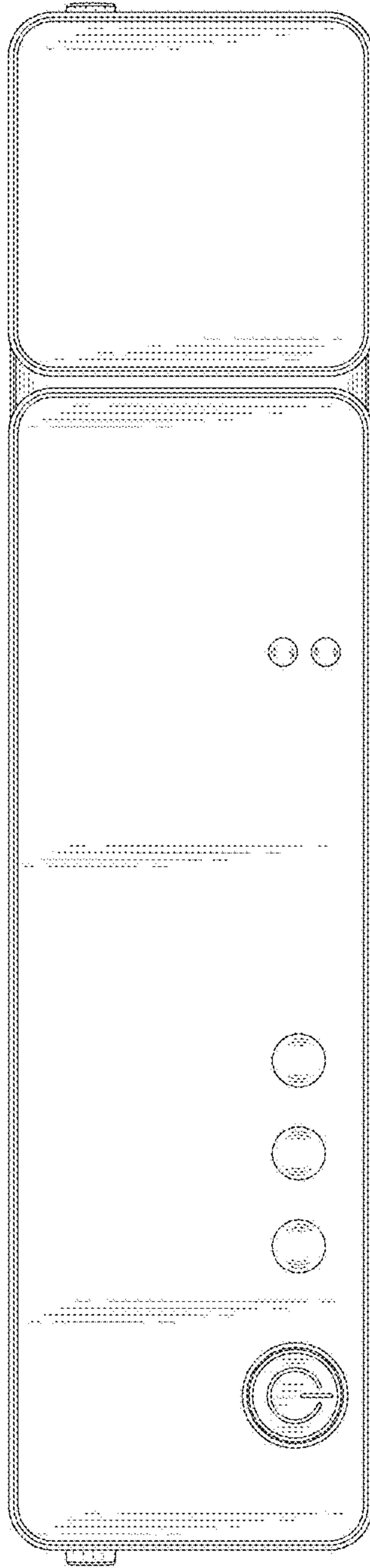


FIG.2

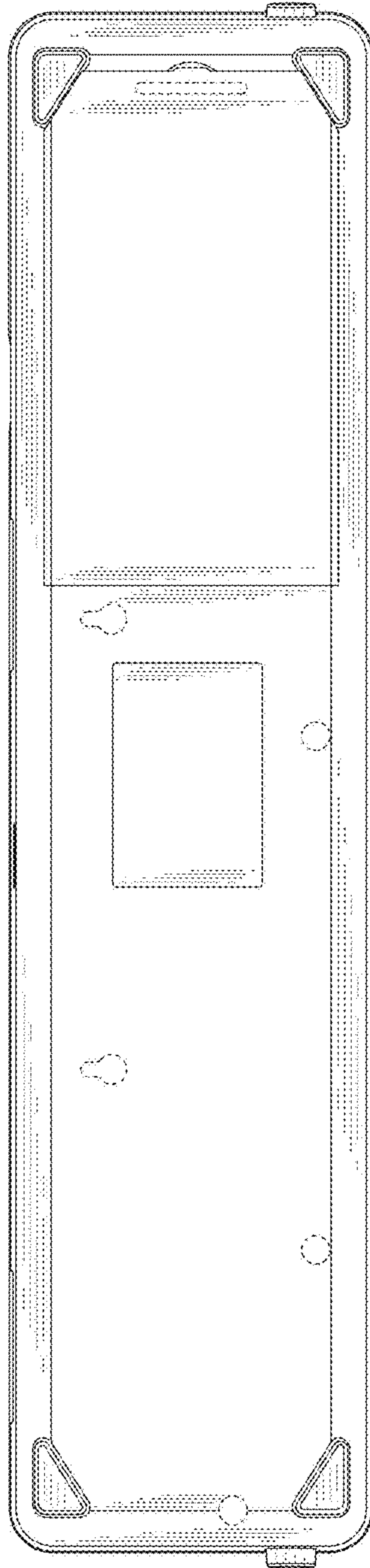


FIG.3

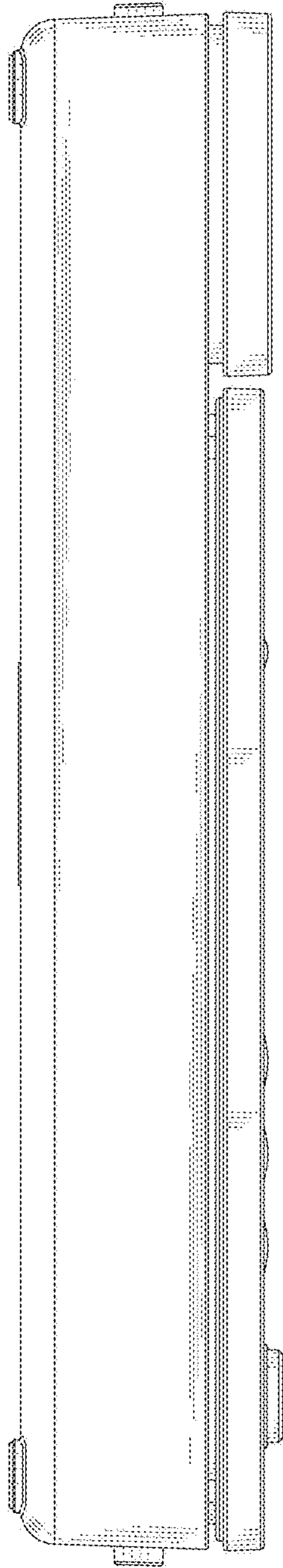


FIG.4

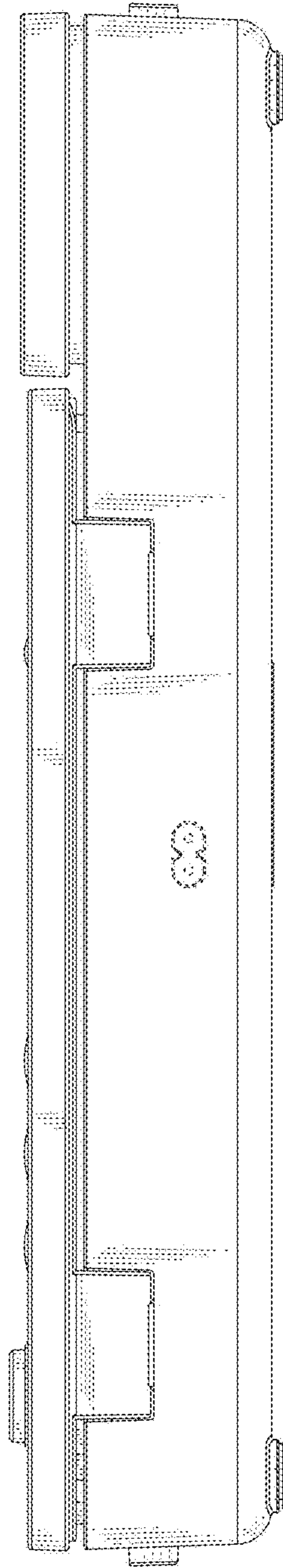


FIG.5

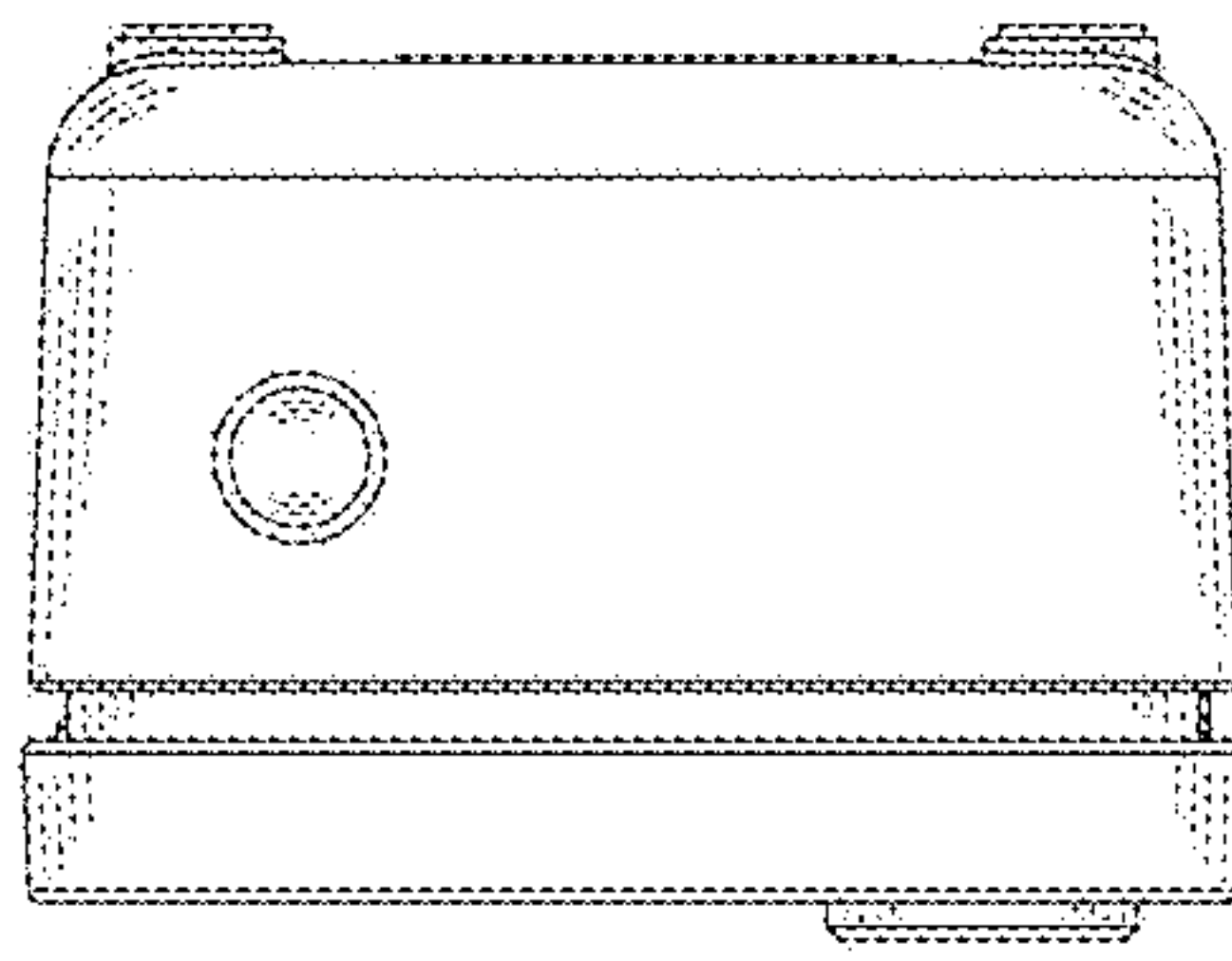


FIG.6

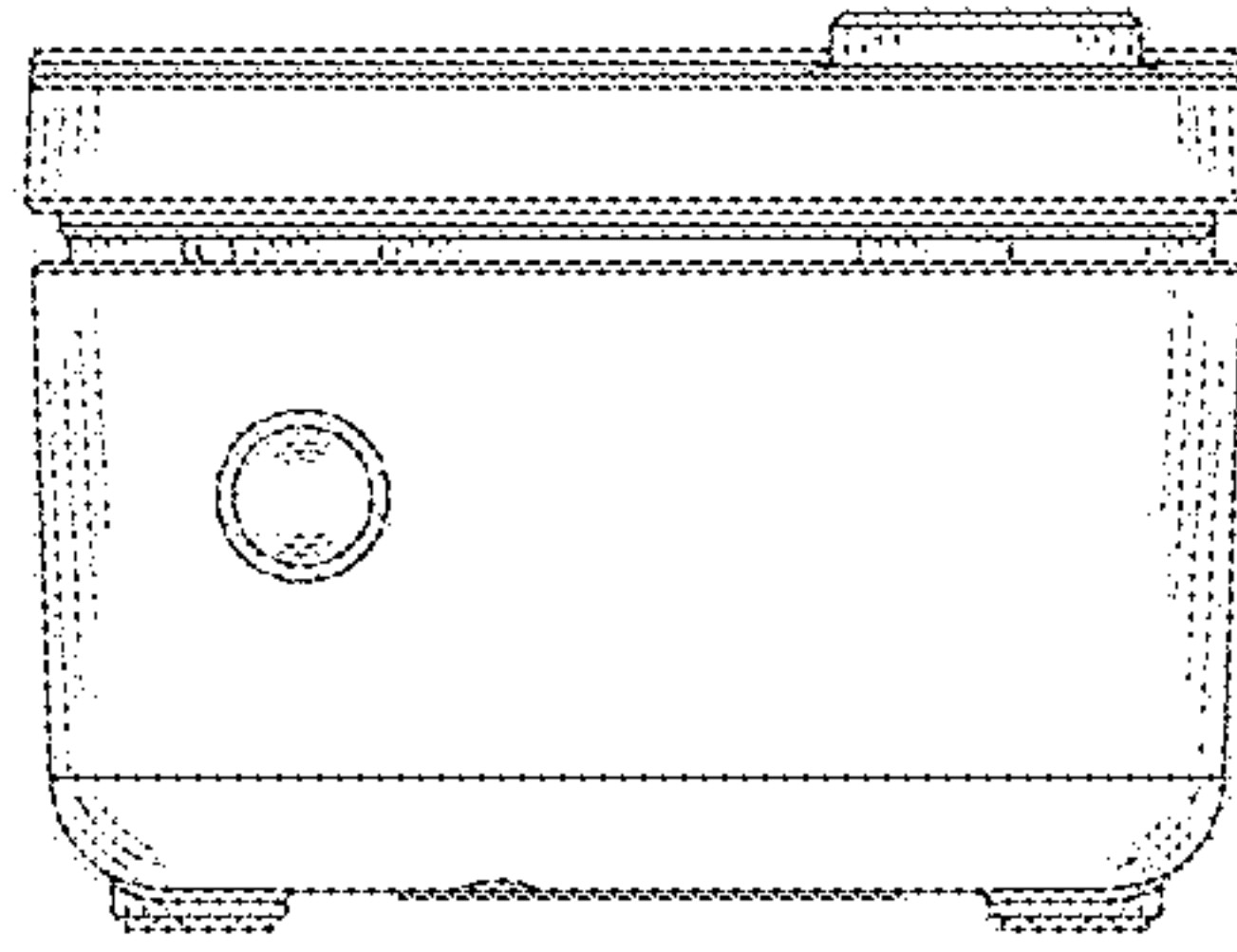


FIG. 7